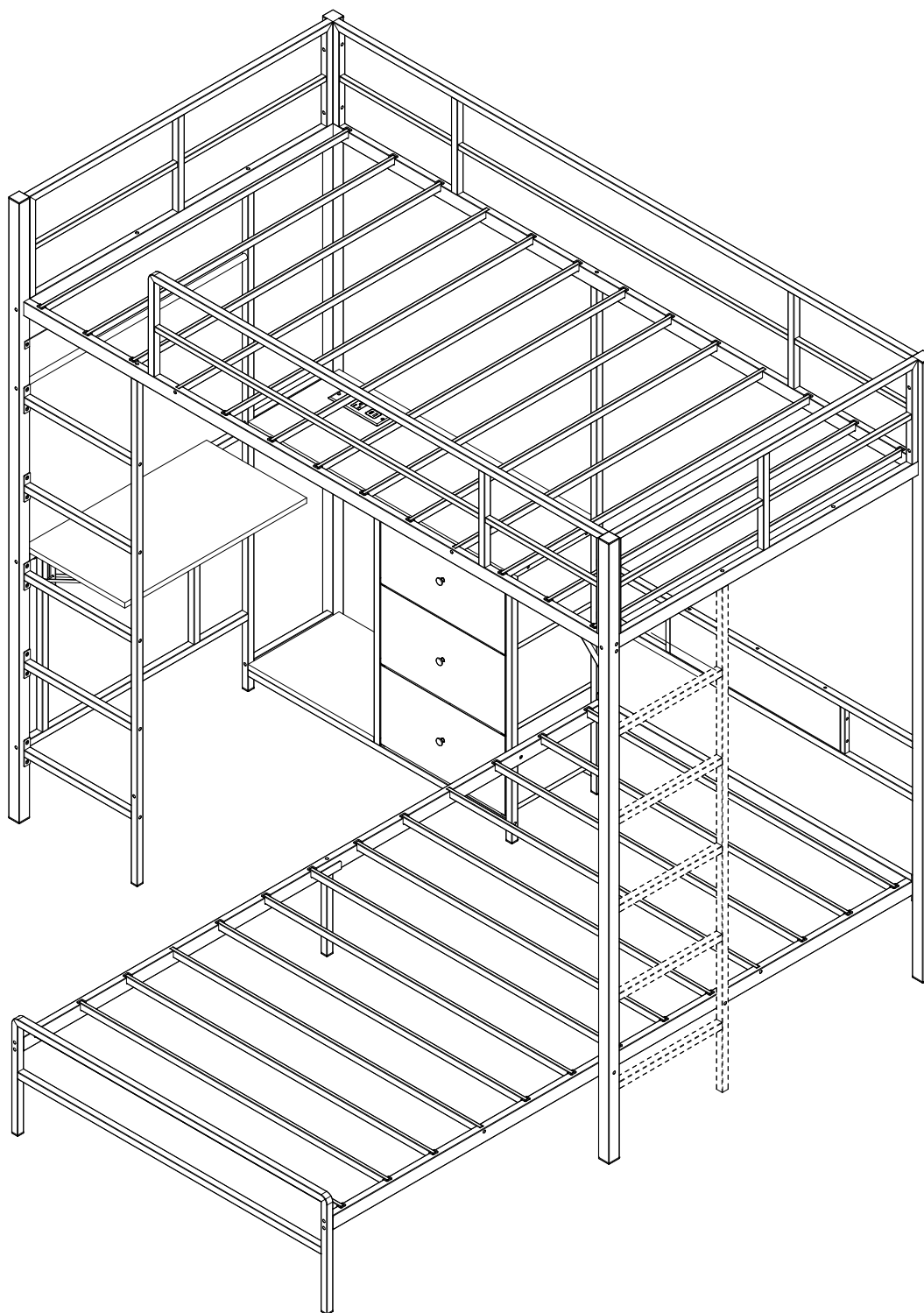


Assembly Instructions

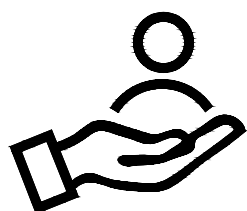
BED170AT



“

Warm Reminder

If you experience any issues with our product (including missing parts, damage, or not meeting expectations), please contact us. We'll ensure satisfactory assistance within 24 hours.



”



General Guidelines

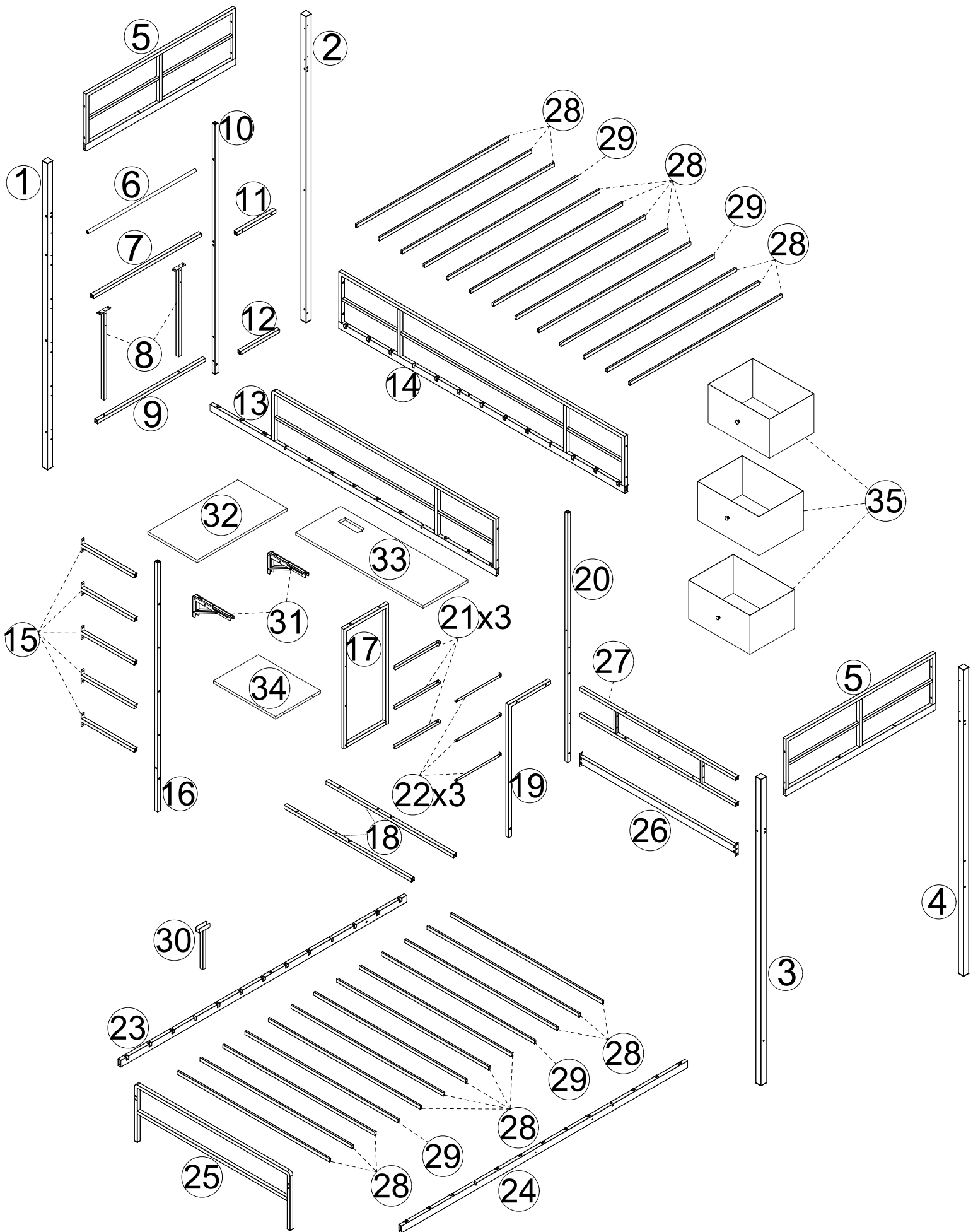
- Please read the following instructions carefully and use the product accordingly.
- Please keep this manual and hand it over when you transfer the product.
- This summary may not include every detail of all variations and considered steps. Please contact us when further information and help are needed.

Notes

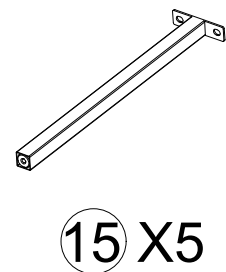
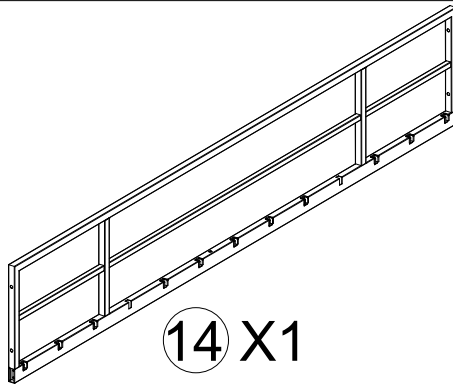
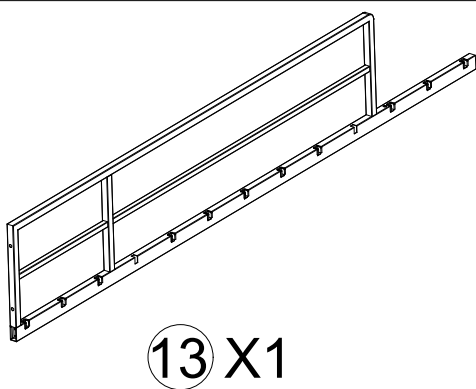
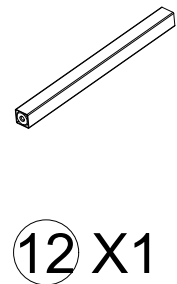
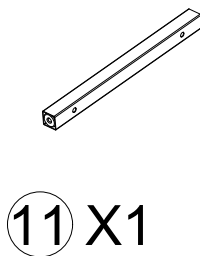
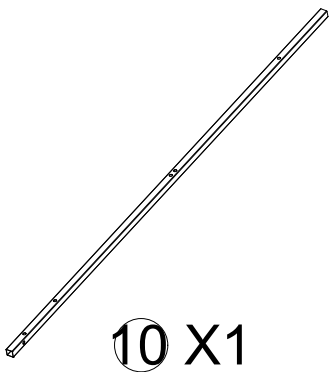
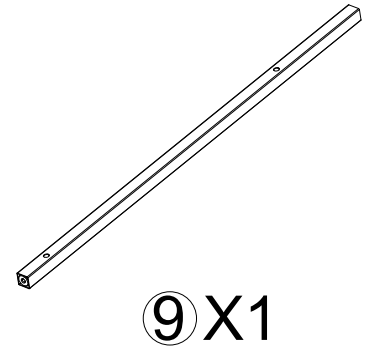
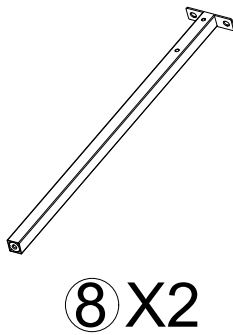
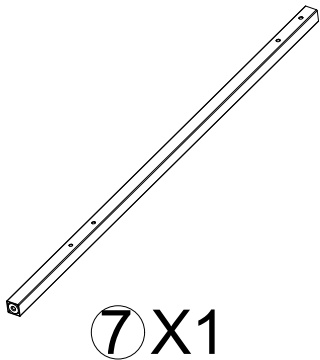
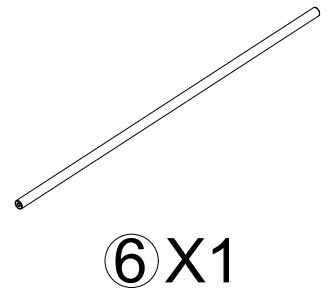
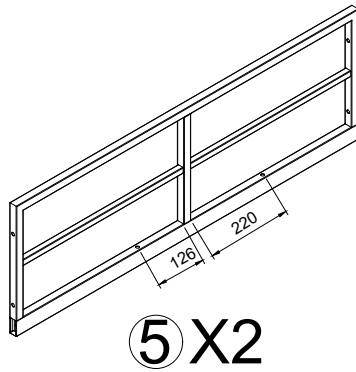
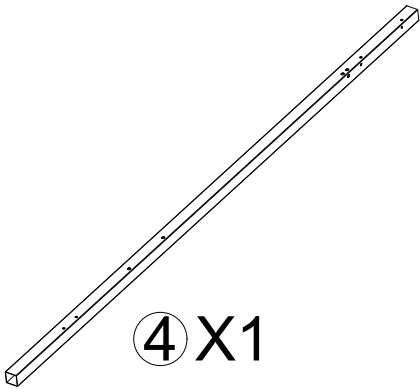
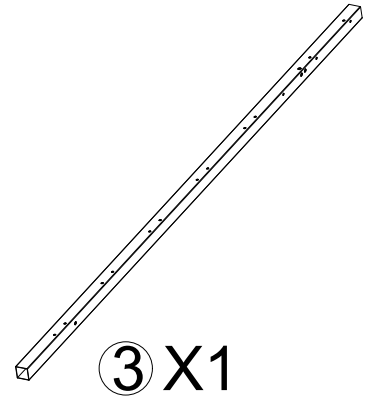
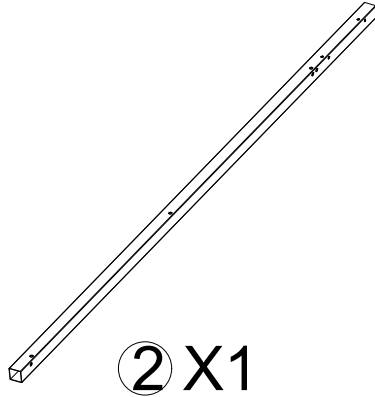
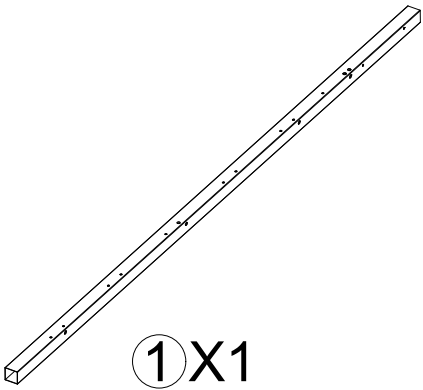
- The product is intended for indoor use only. The product must be assembled and used in accordance with the provisions of the manual. Personal injury and/or damage to the product may occur if products are used outside of their intended purposes and/or if products have been changed/modified from their original design.
- The seller does not assume any responsibility or liability with respect to any injury/damage caused by incorrect assembly or improper use.
- Avoid long-term exposure to humid environments to prevent mildew.
- Keep the product away from fire sources and high temperatures. Do not expose the product to direct sunlight.
- Do not place any hot objects on the surface of the product.
- If there are any defective or missing parts after unpacking, please cease assembly immediately and contact us.
- Please assemble the item on a spacious surface and do not place the unwrapped product directly on the ground to avoid product damage.
- Please do not stand or sit on the wooden boards.
- Please wear gloves during the assembly and/or disassembly process to avoid scratches from any sharp edges.
- Please match the corresponding part and fitting based on the part number in the manual.
- If the part does not match with the fitting, please check the piece as specified in this manual.
- During assembly, first loosely align all screws with the corresponding pre-drilled holes and then tighten the screws one by one.
- Periodically inspect screw tightness while the product is in use. If necessary, retighten to ensure structural integrity.
- If you accidentally spill water or another liquid on the surface, immediately wipe clean with a dry towel.
- Please keep the product away from sharp, pointed objects and corrosive substances to prevent product damage.
- Please place this item on level, solid ground during use.

Warnings

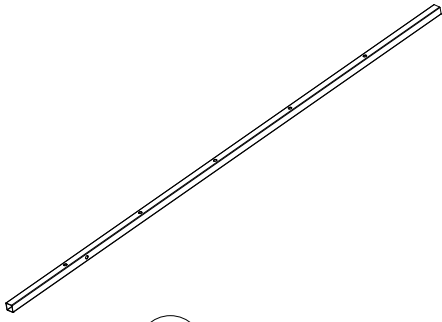
- During assembly, keep all small parts out of the reach of children. It may be fatal if swallowed or inhaled.
- Children should not climb or play on the product in order to avoid tipping over the furniture and causing serious injury.
- To avoid the potential dangers of suffocation, please keep all parts and packaging (film, plastic bags, foam, etc.) away from babies and children.
- Keep sharp objects and corrosive items away from the product to avoid any damage or injury.
- Do not shake or move violently during use to avoid tipping over the product.



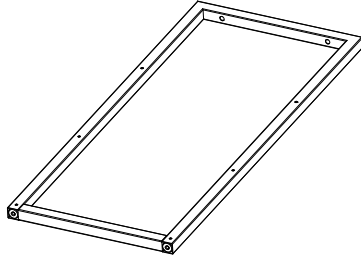
Part list



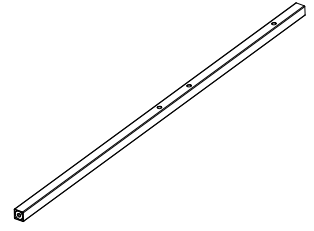
Part list



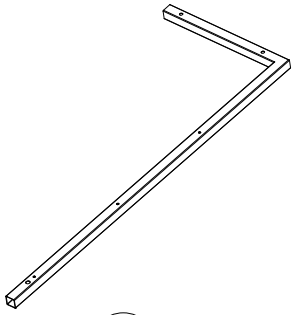
16 X1



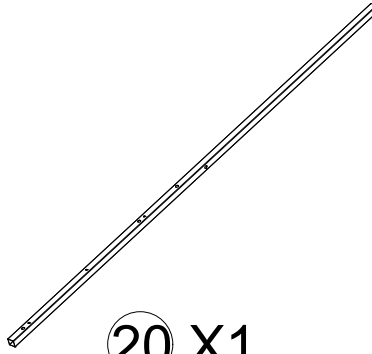
17 X1



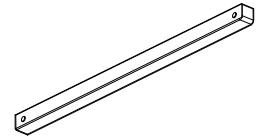
18 X2



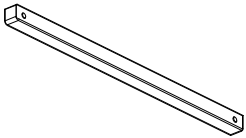
19 X1



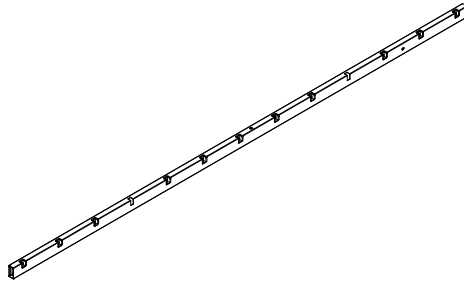
20 X1



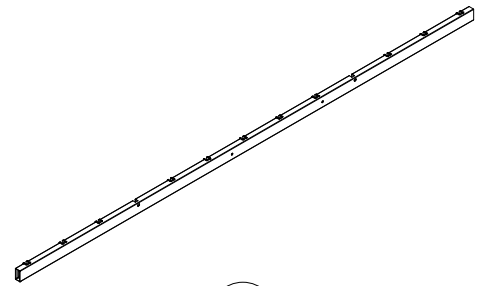
21 X3



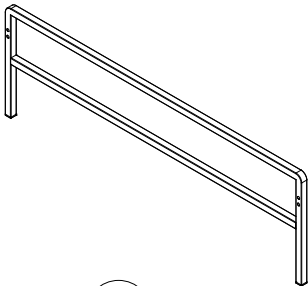
22 X3



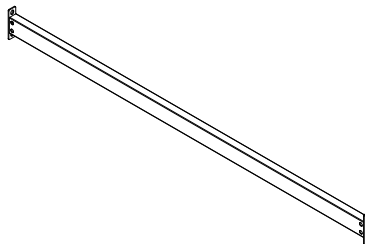
23 X1



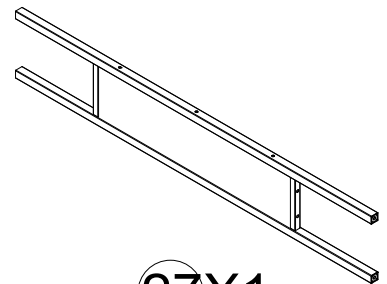
24 X1



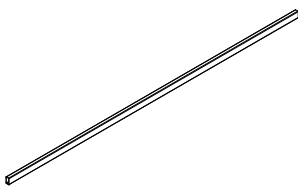
25 X1



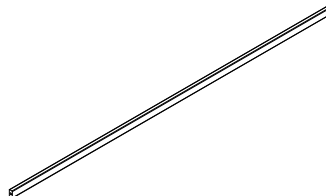
26 X1



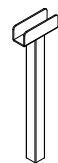
27 X1



28 X22

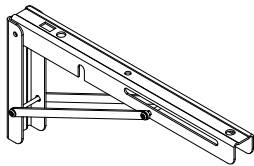


29 X4

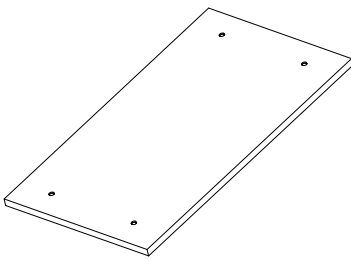


30 X1

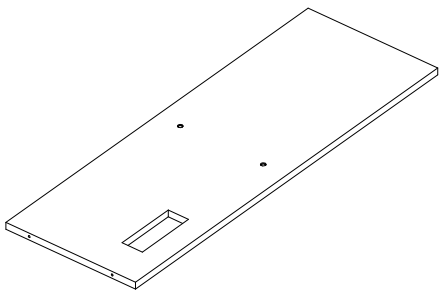
Part list



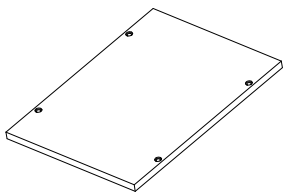
31 X2



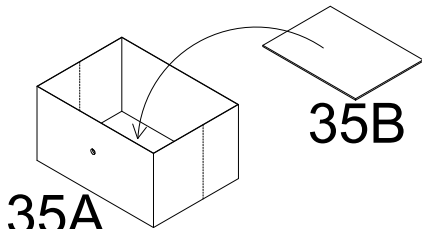
32 X1



33 X1

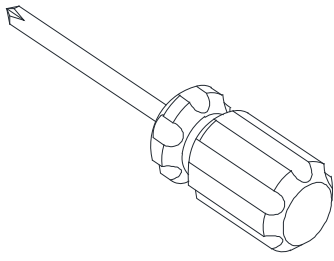


34 X1

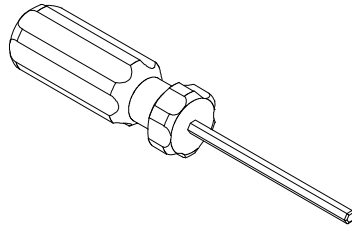


35 X3

Hardware list



A X1

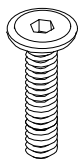


B X1



M6*30mm

C X50(Extra 3)



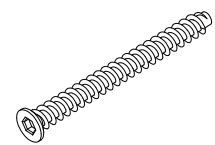
M6*50mm

D X34(Extra 2)



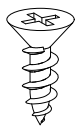
M6*10mm

E X30(Extra 2)



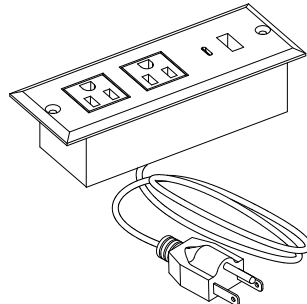
ST5*50mm

F X4(Extra 2)



ST3.5*12mm

G X2



H X1



M4*10mm

I X12(Extra 2)



K1

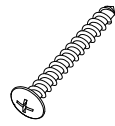


M4*8mm

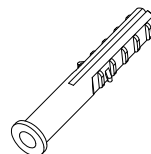
K2

K X3

ST4*45mm

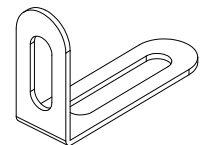


L1

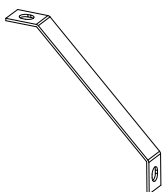


L2

L X2



M X2



N X2

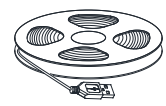


M3

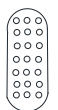
O X1



P1

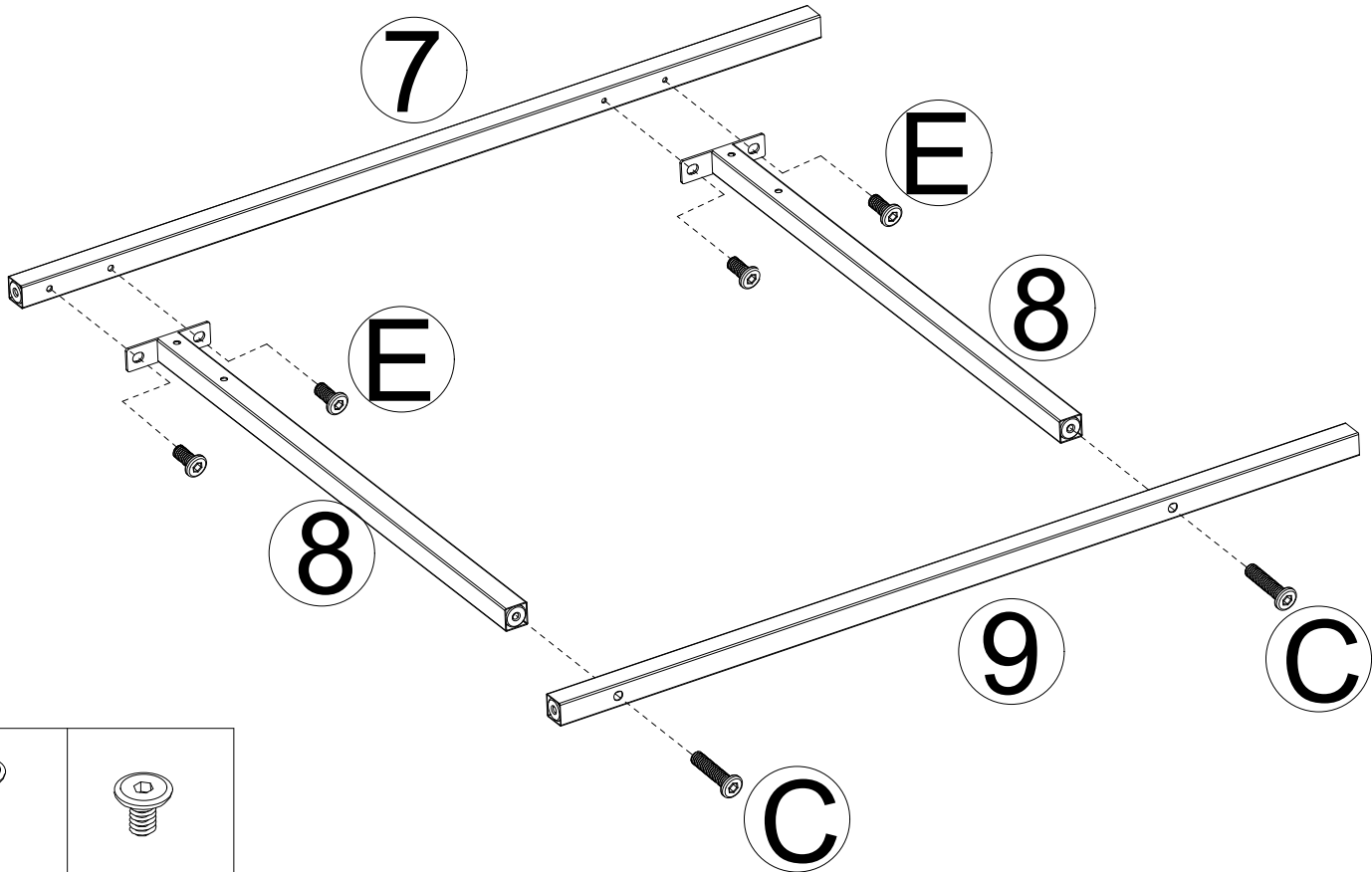




P2




P X1



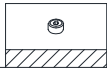
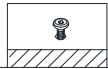
STEP 1

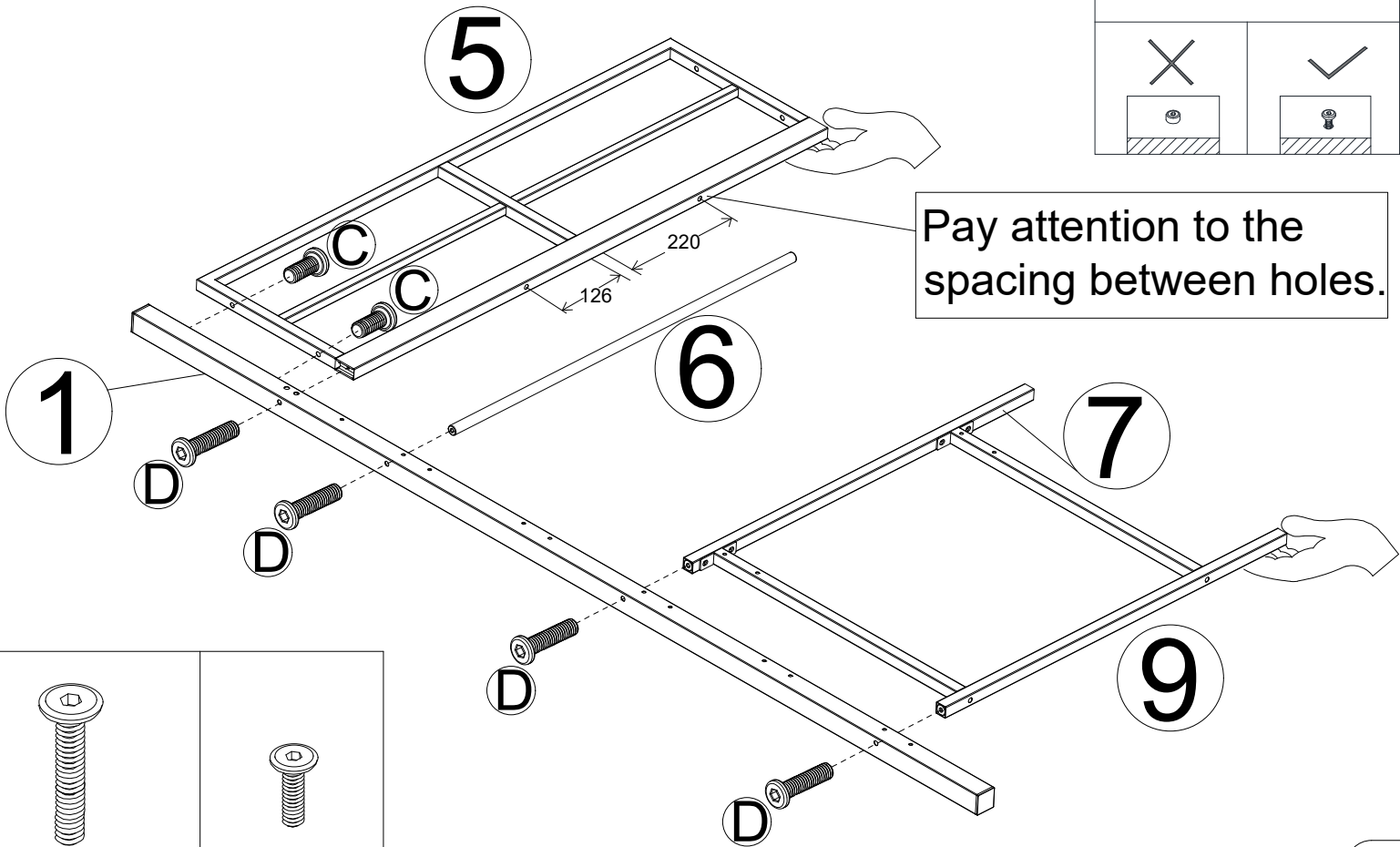


	
C X2	E X4

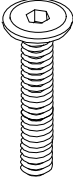

STEP 2

 Please tighten the screws to 80% first, and tighten all screws 100% after all parts are assembled.

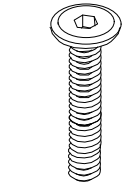
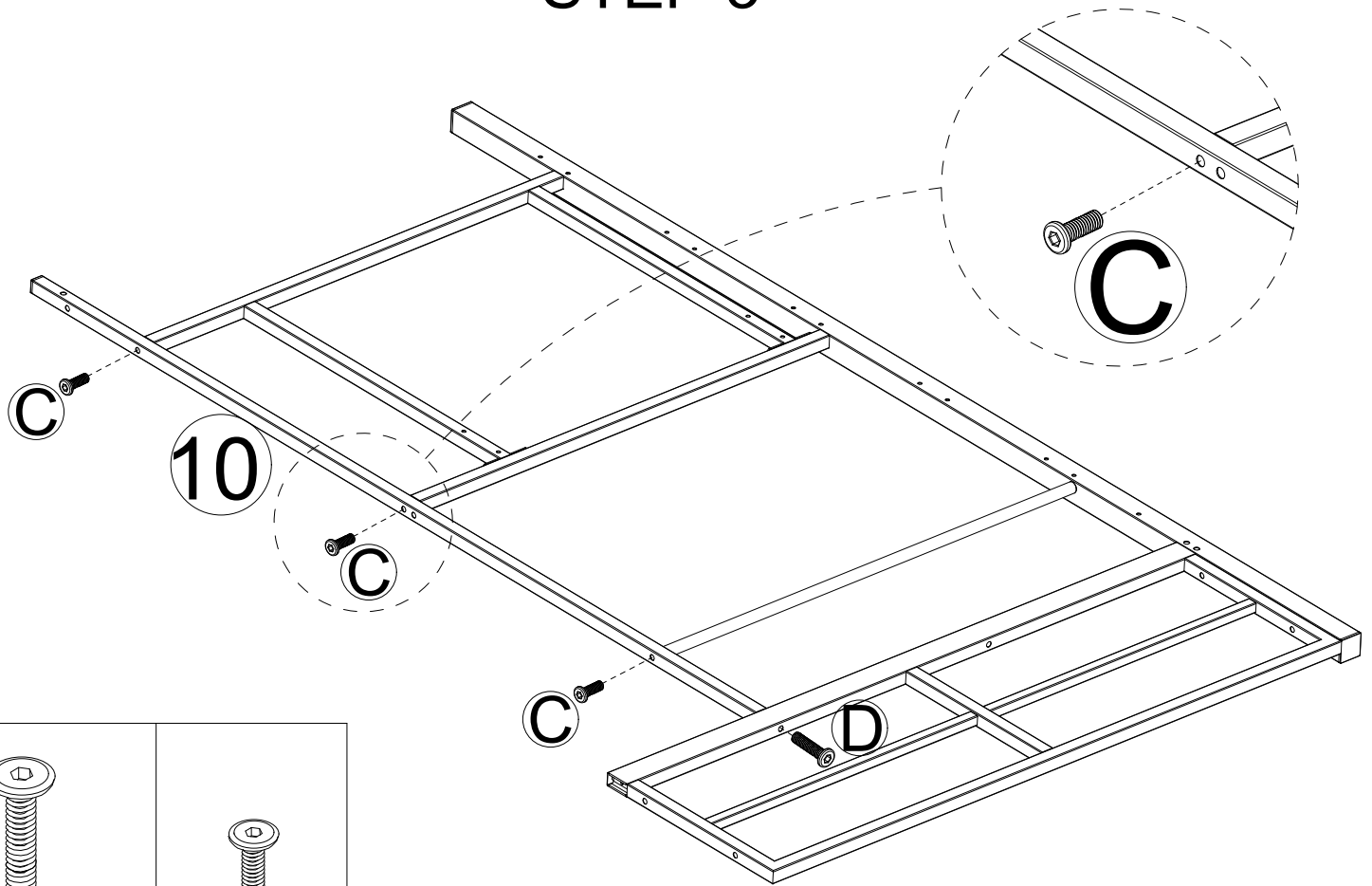
	
	



Pay attention to the spacing between holes.

	
D X4	C X2

STEP 3

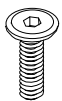
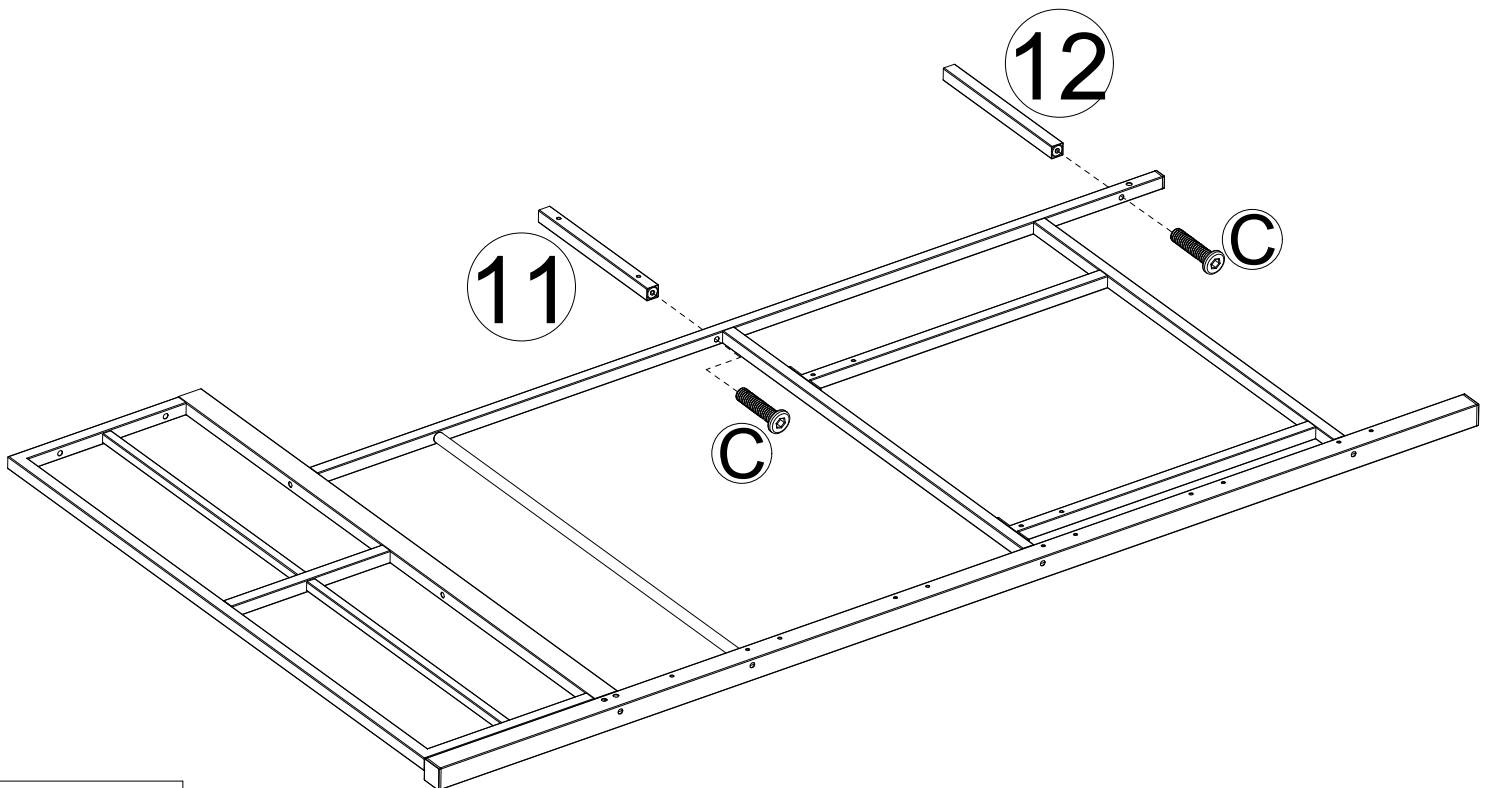


D X1



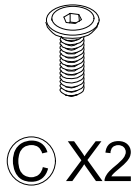
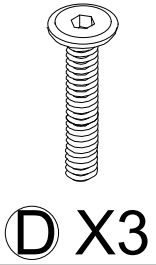
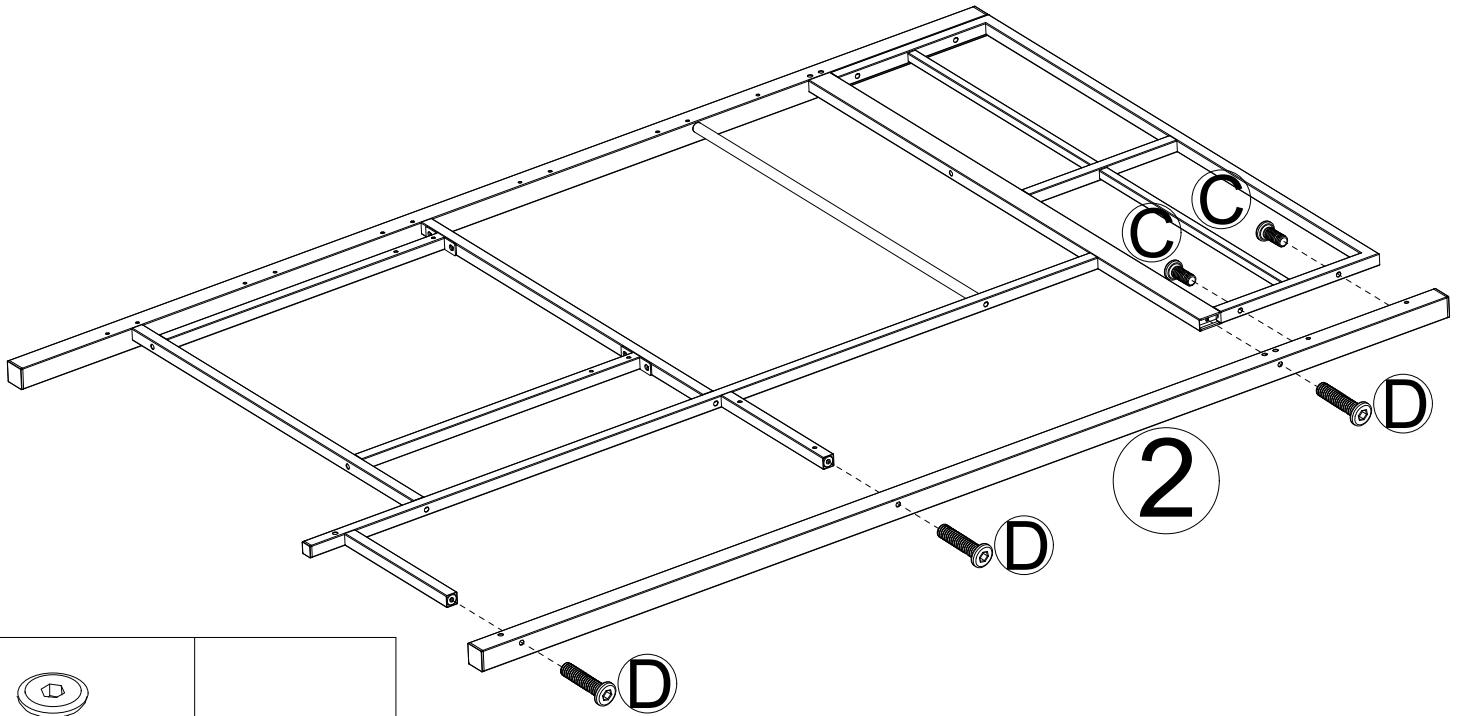
C X3

STEP 4

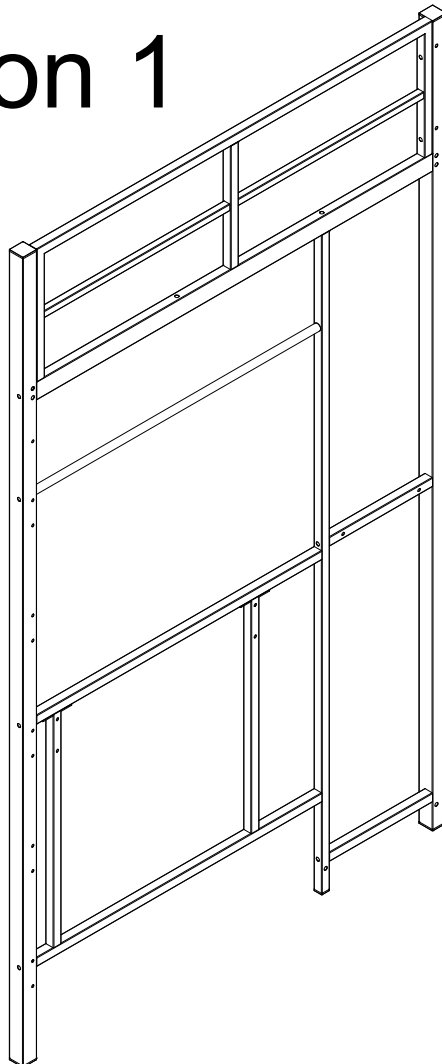


C X2

STEP 5

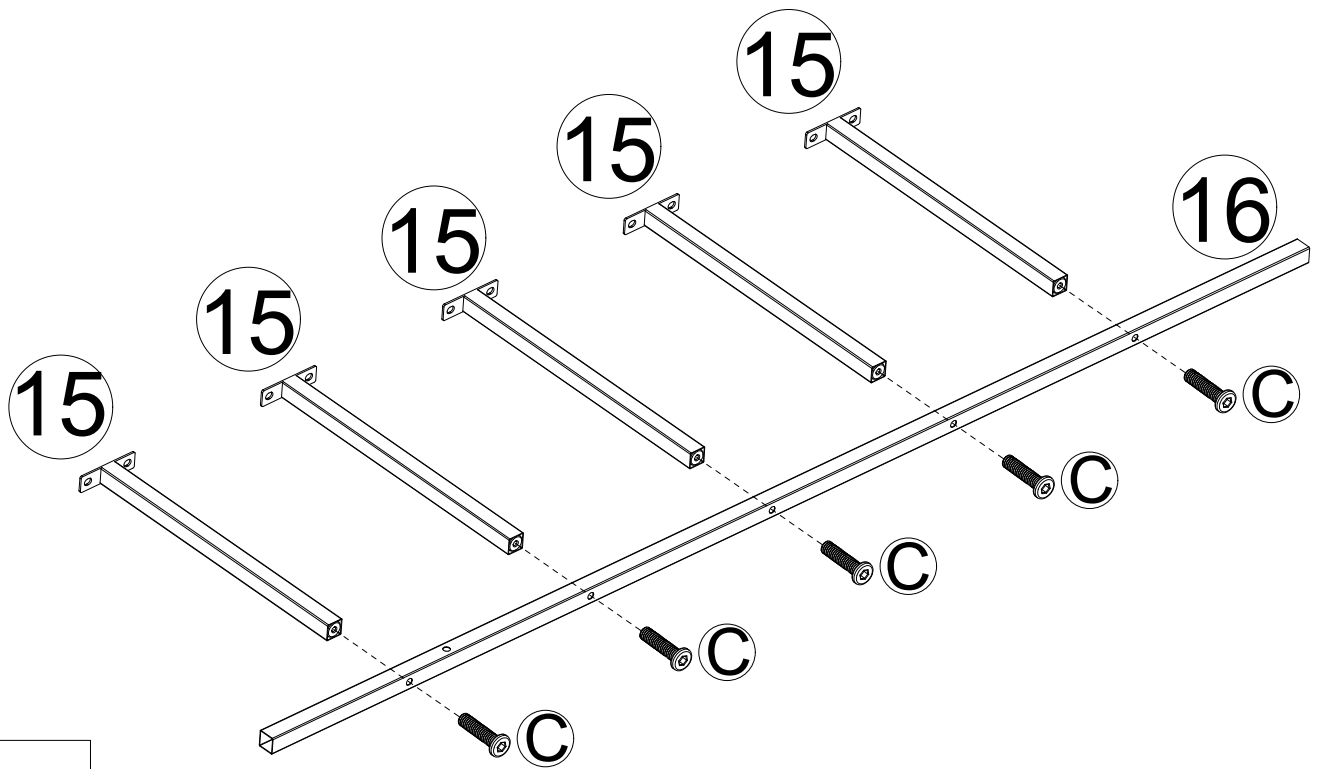


Combination 1



Left → OK

STEP 6

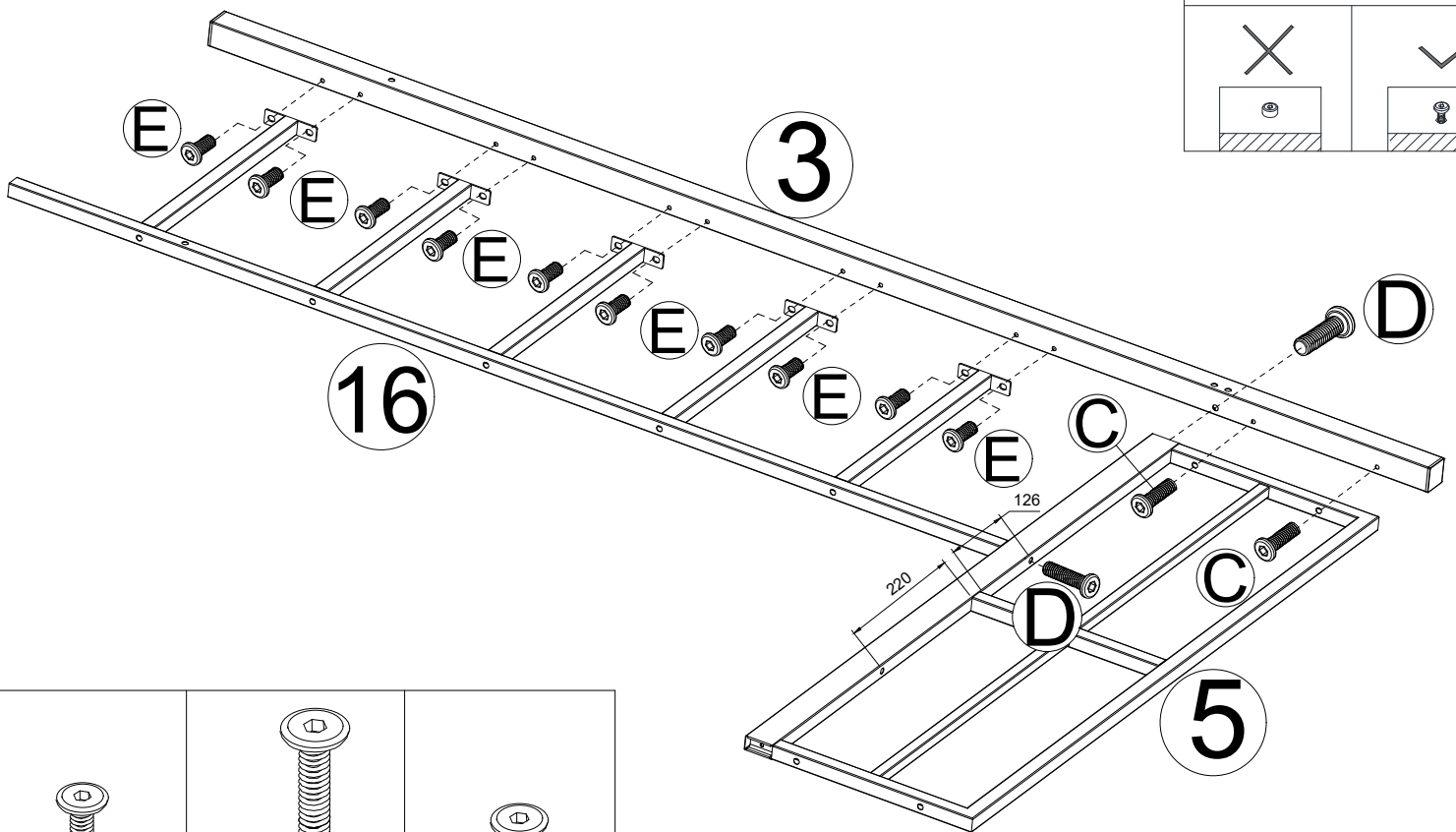


C X5

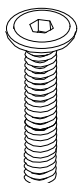
STEP 7

⚠ Please tighten the screws to 80% first, and tighten all screws 100% after all parts are assembled.

✗	✓



C X2

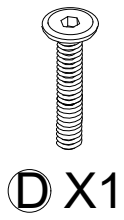
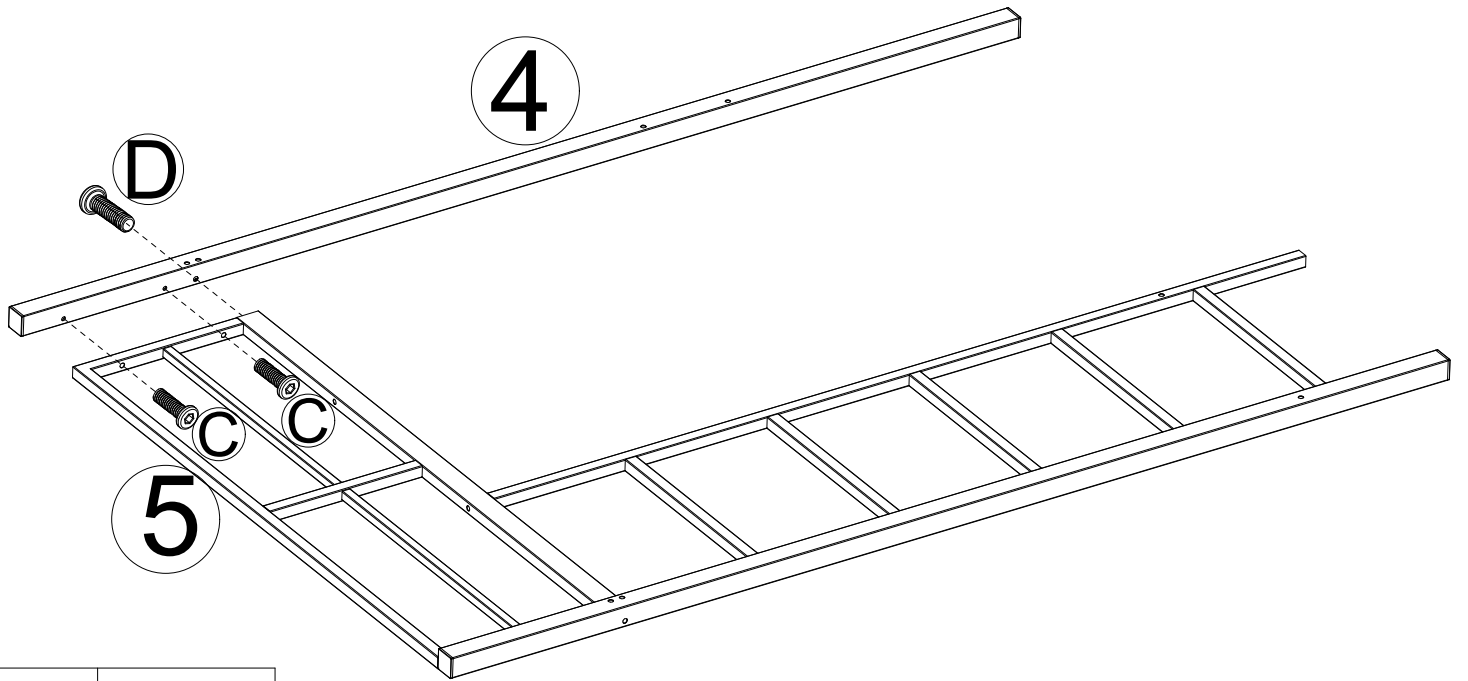


D X2

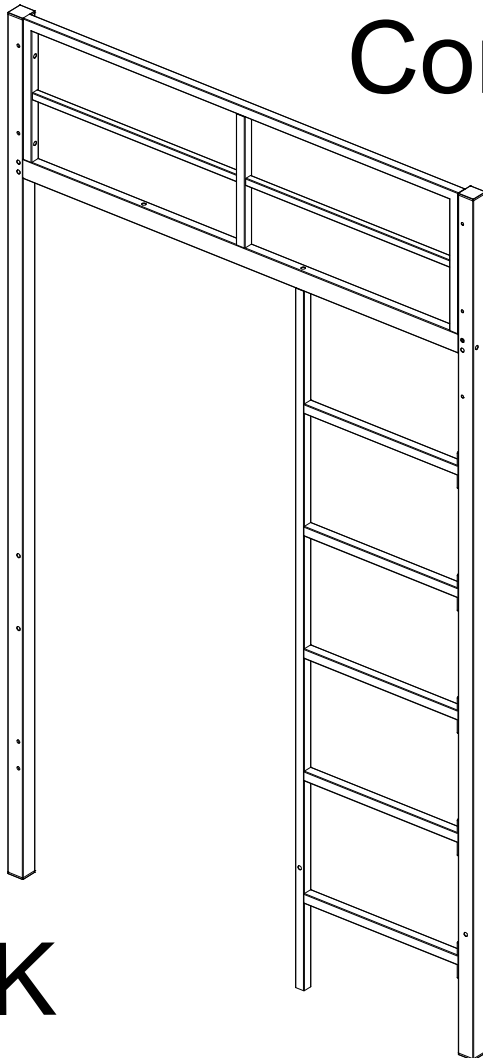


E X10

STEP 8

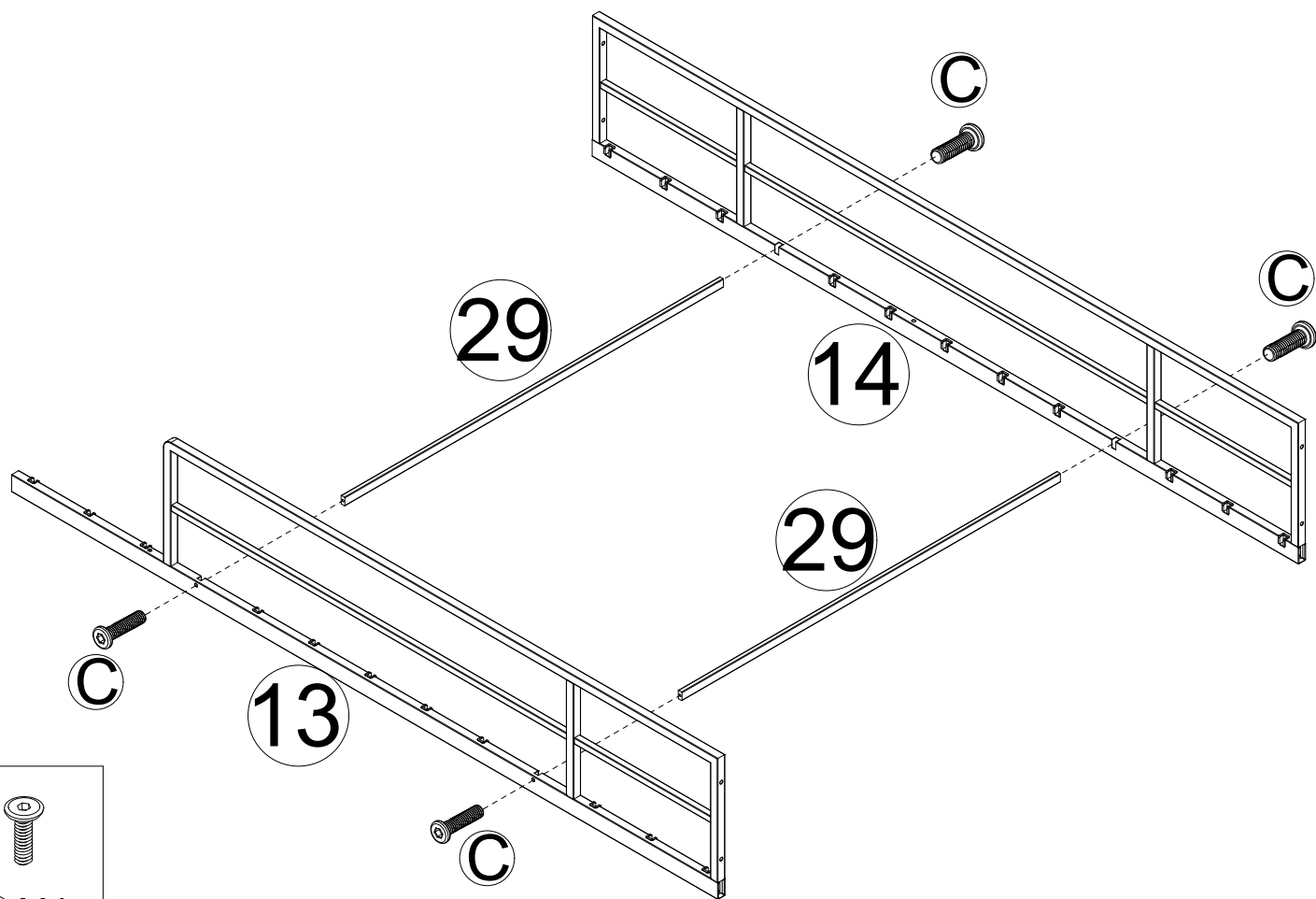


Combination 2

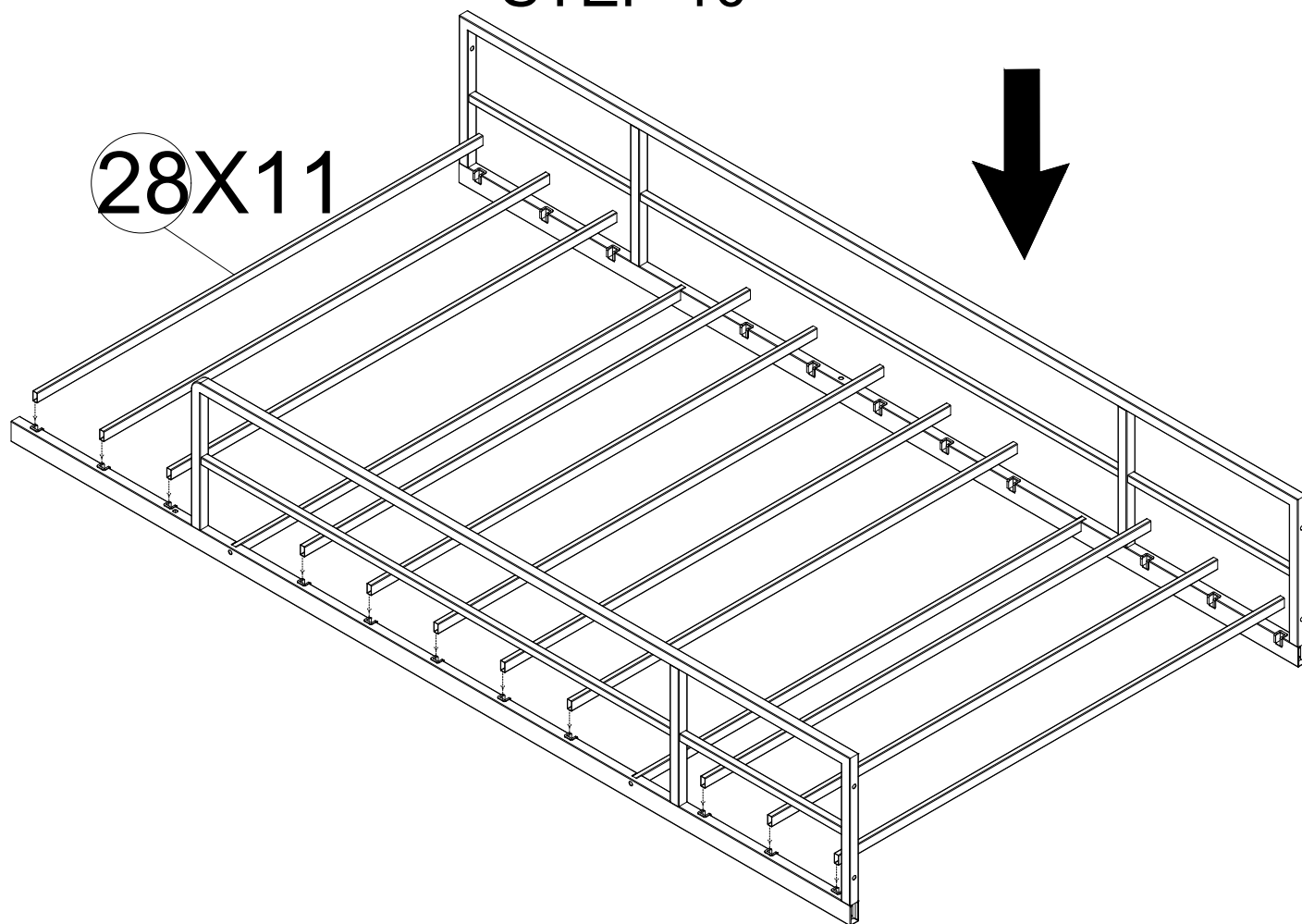


Right → OK

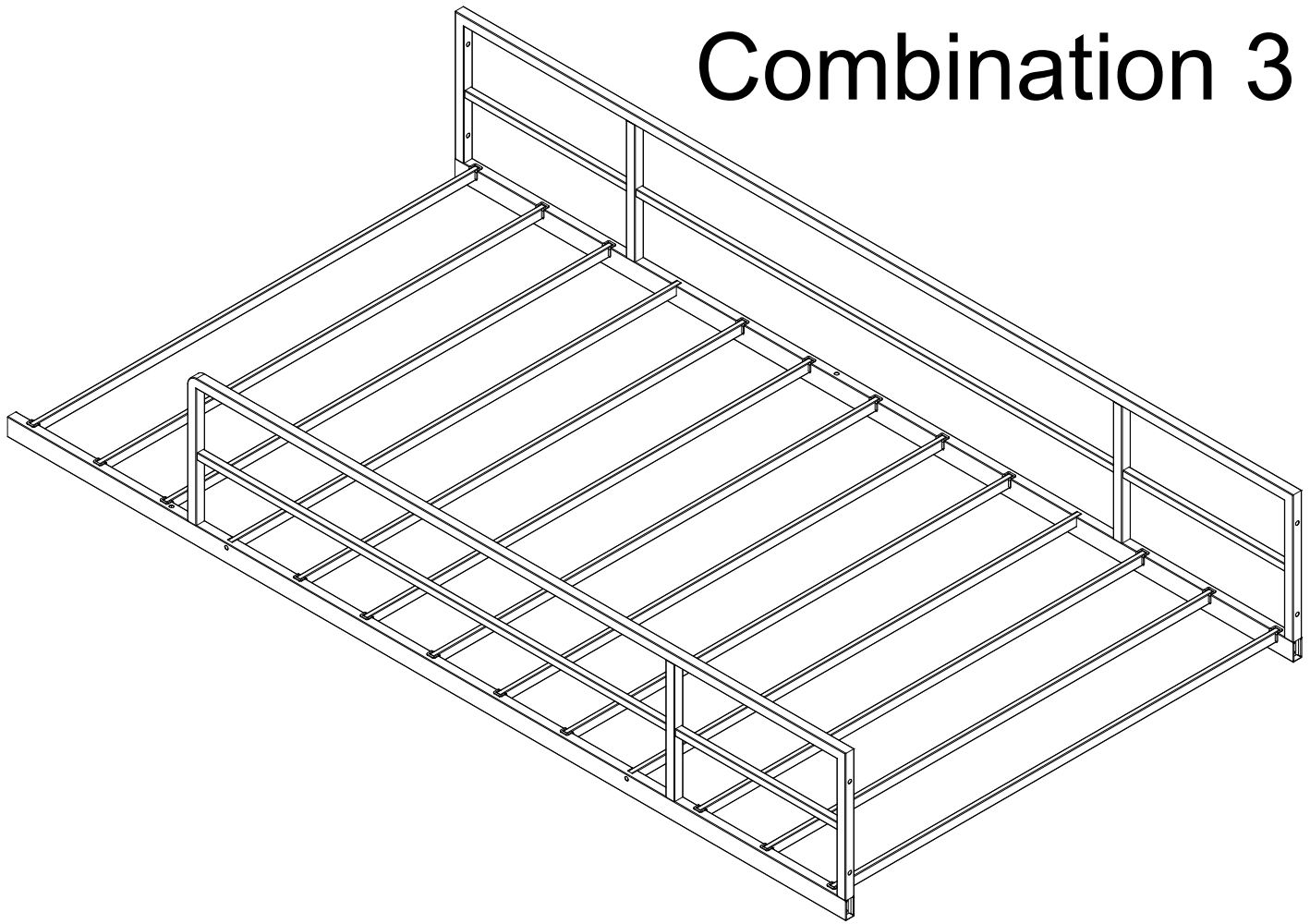
STEP 9



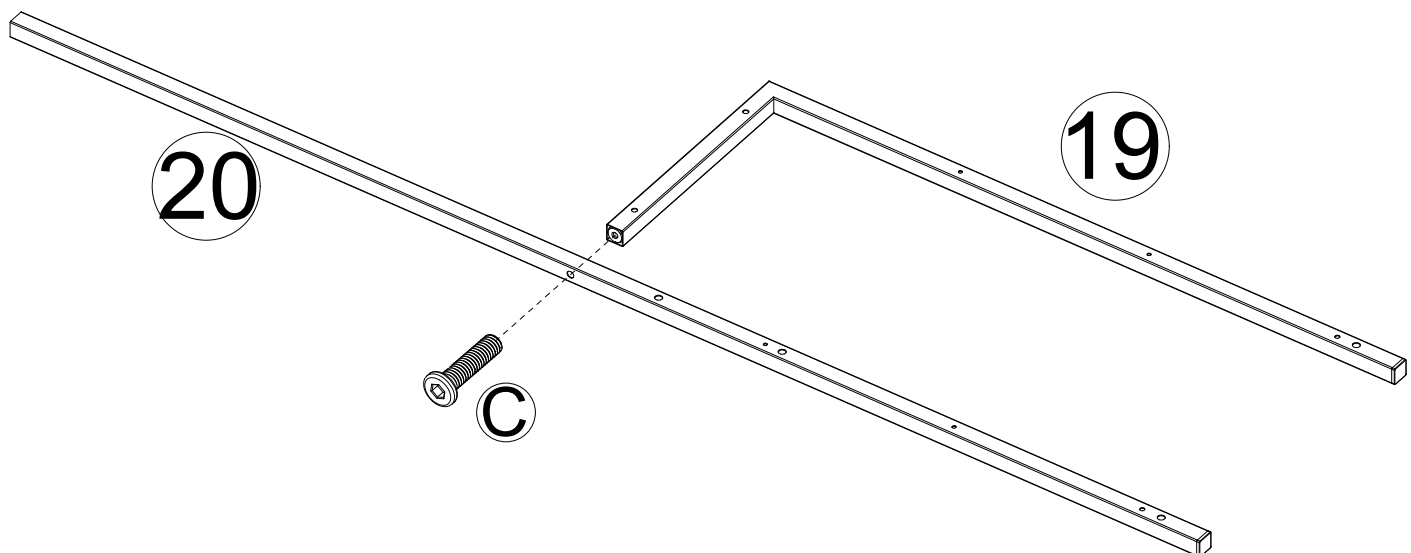
STEP 10



Combination 3

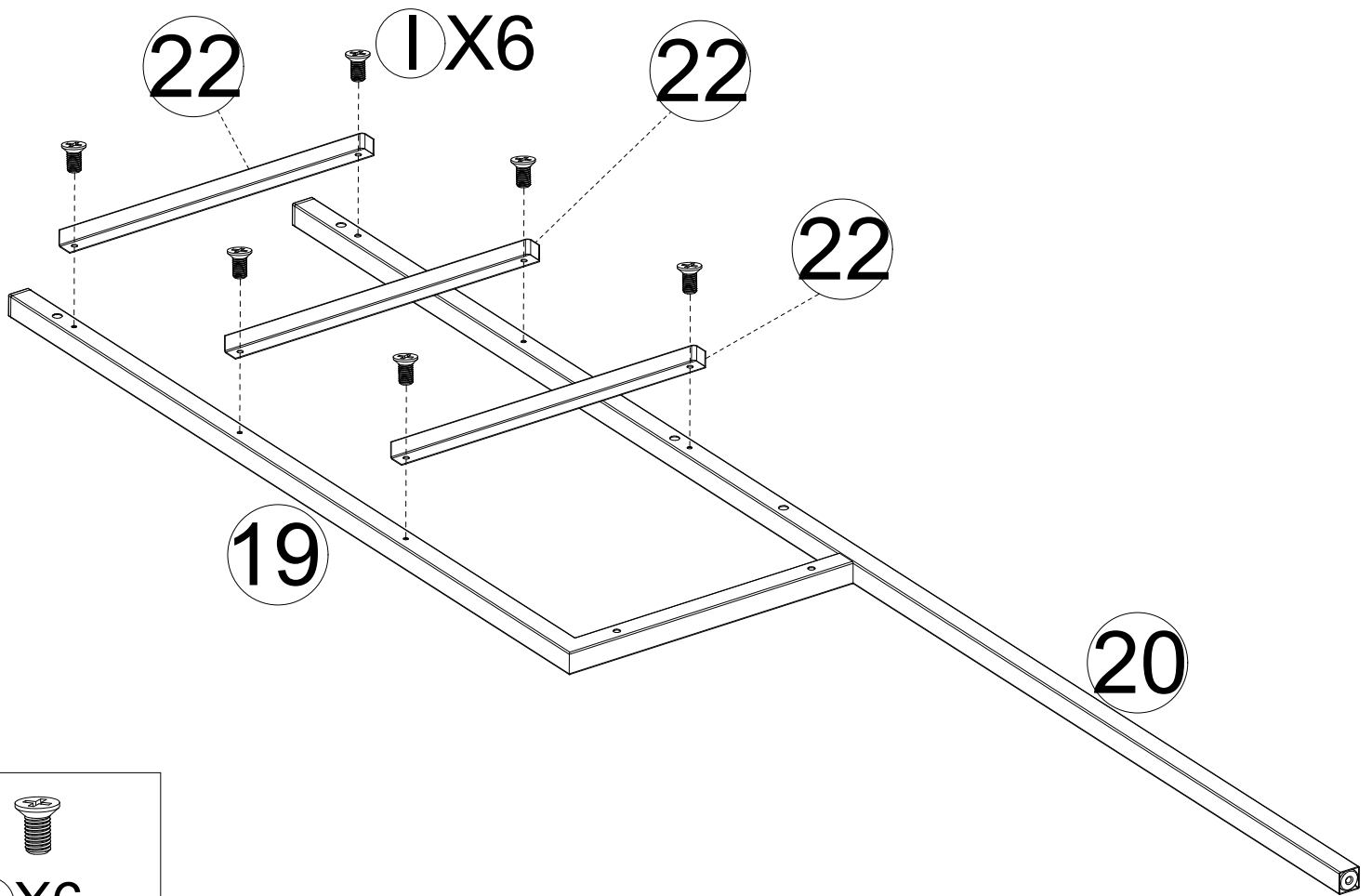


STEP 11

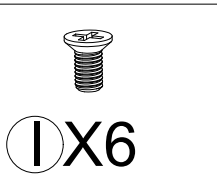
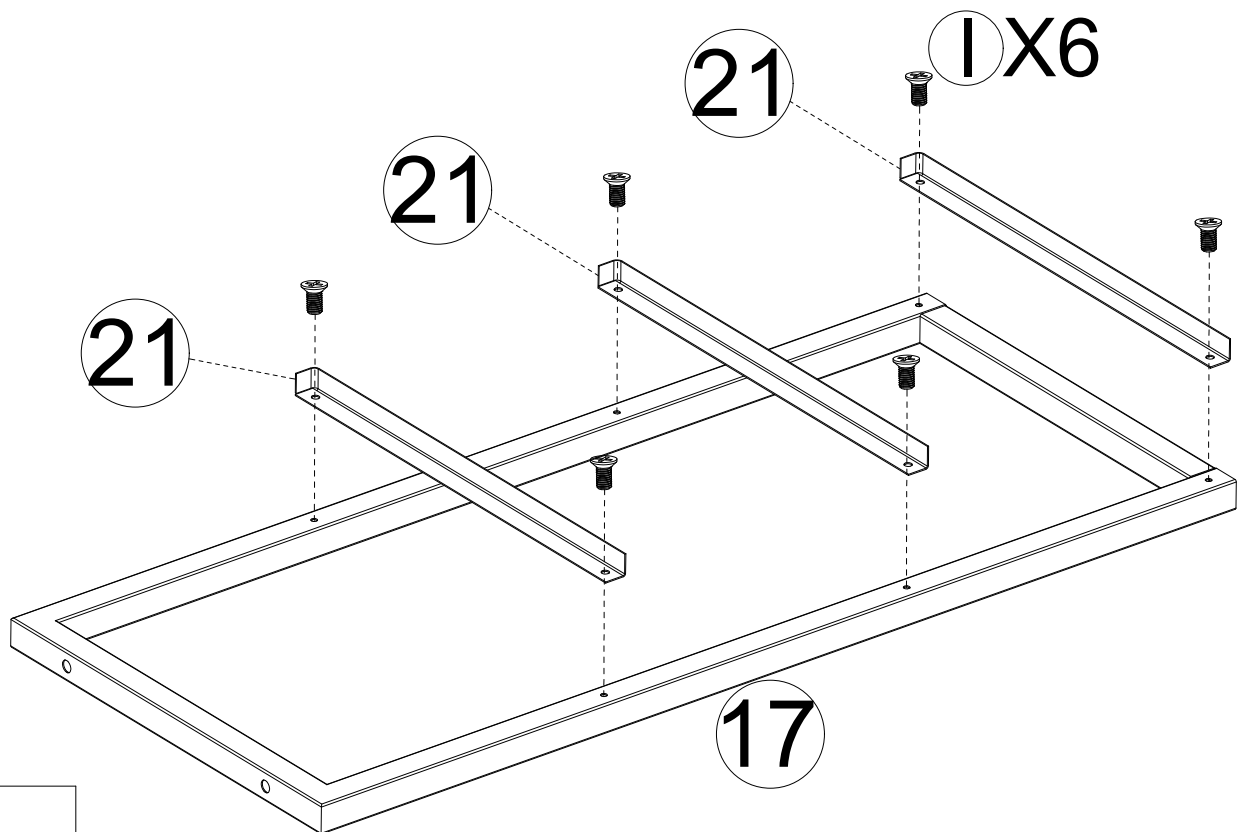


C X1

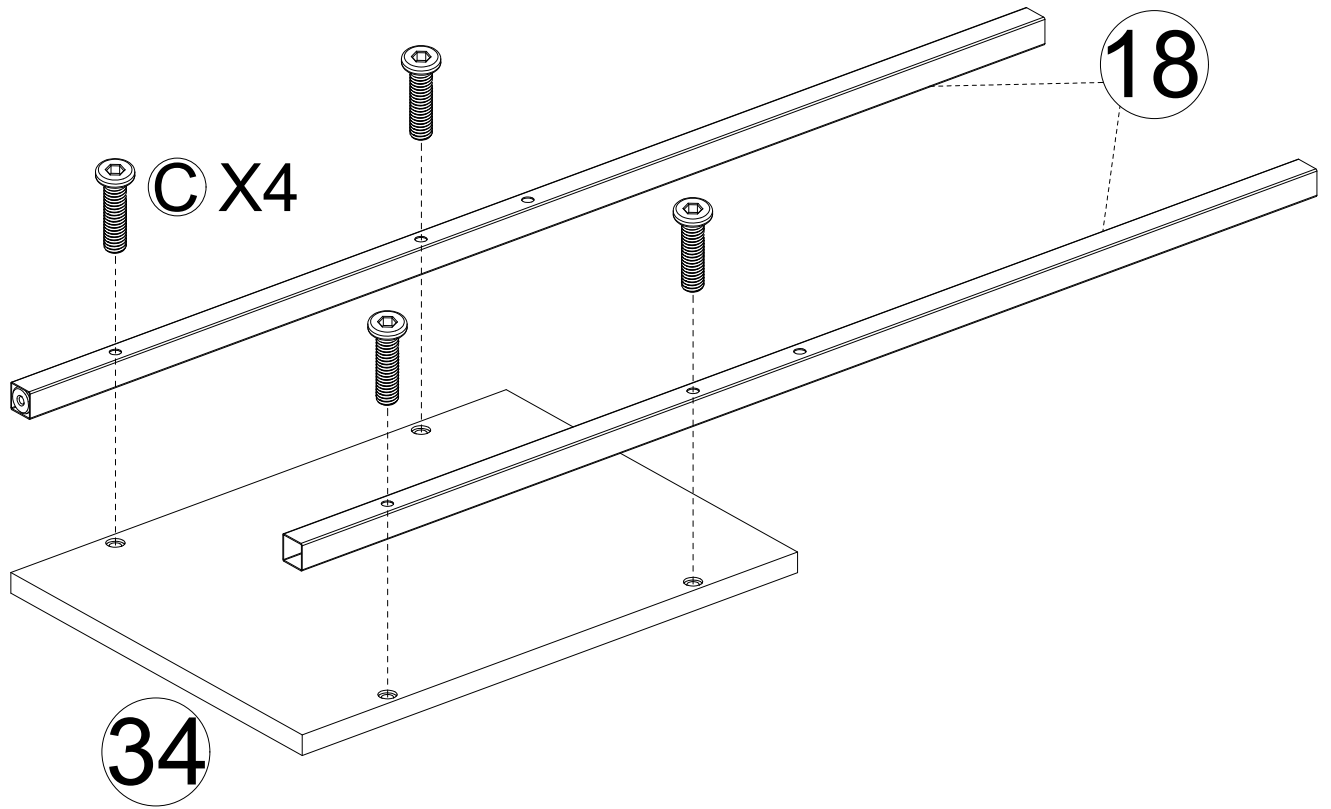
STEP 12



STEP 13

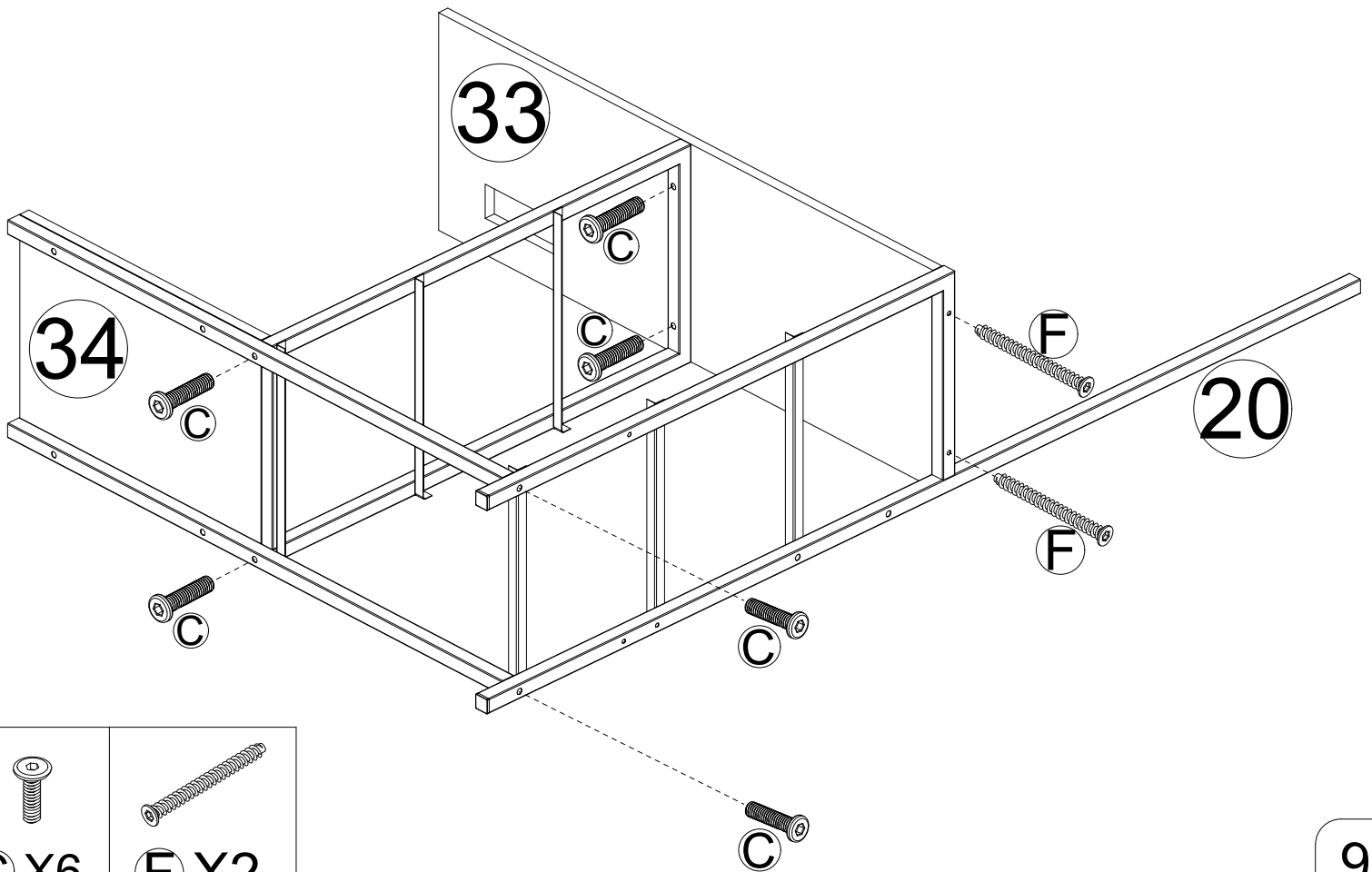


STEP 14



C X4

STEP 15

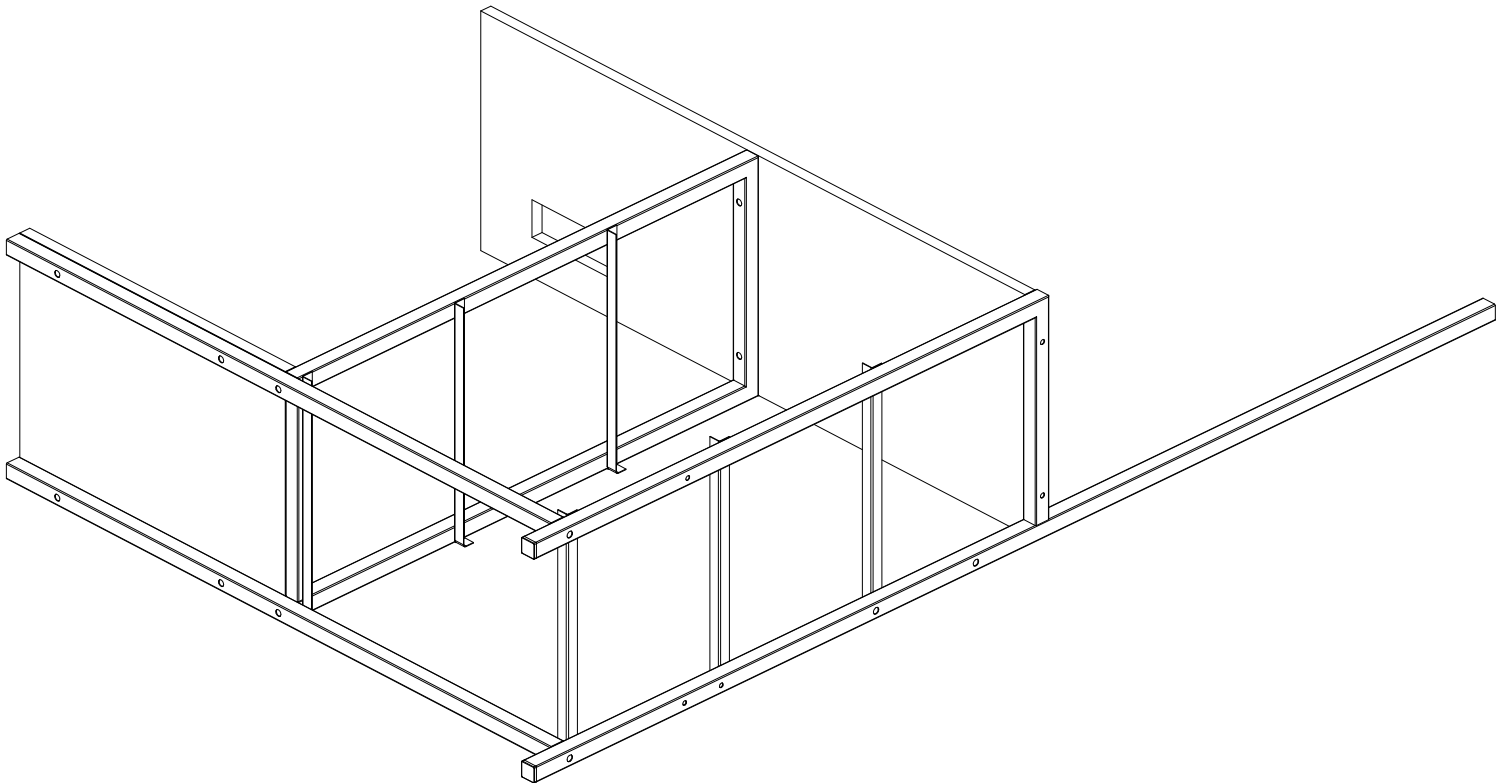


C X6

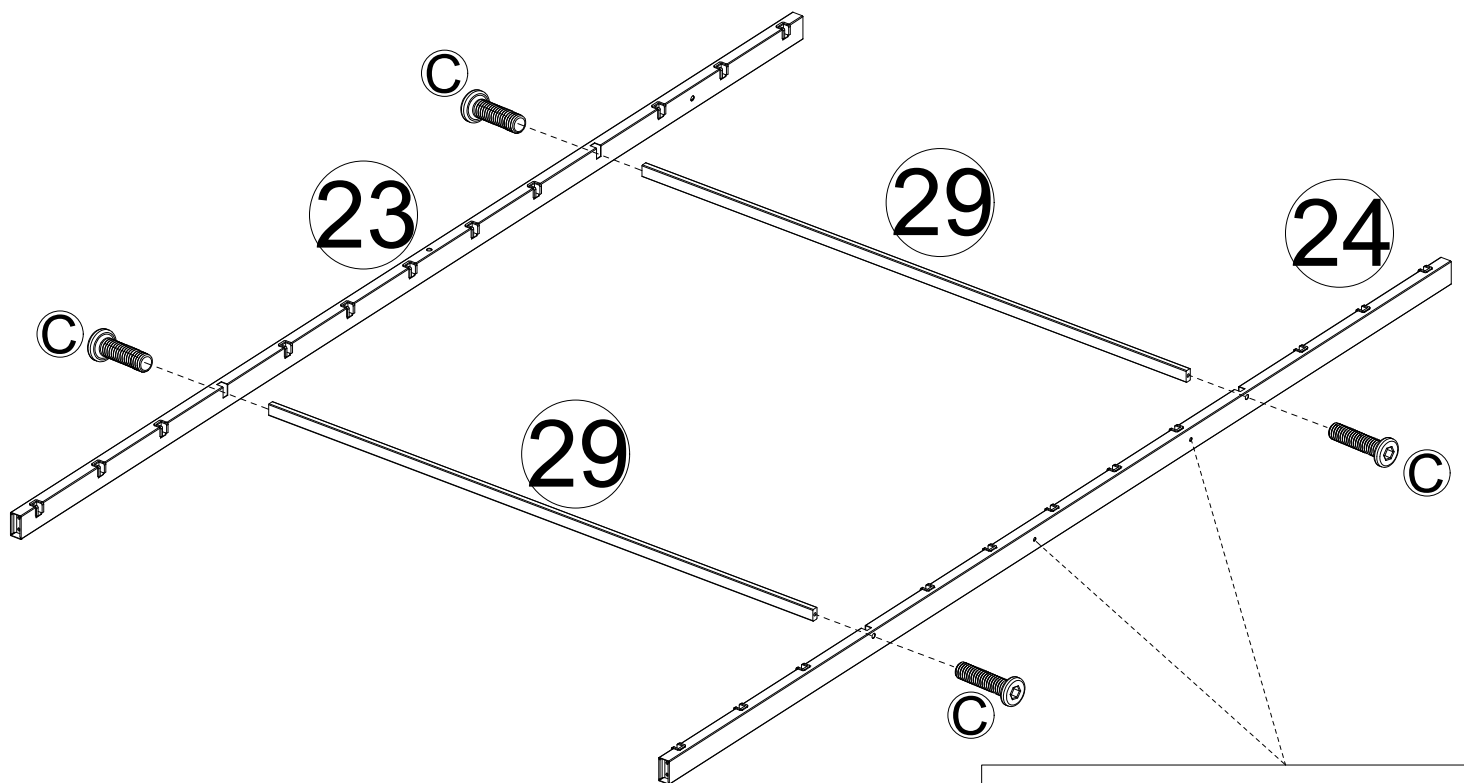


F X2

Combination 4



STEP 16

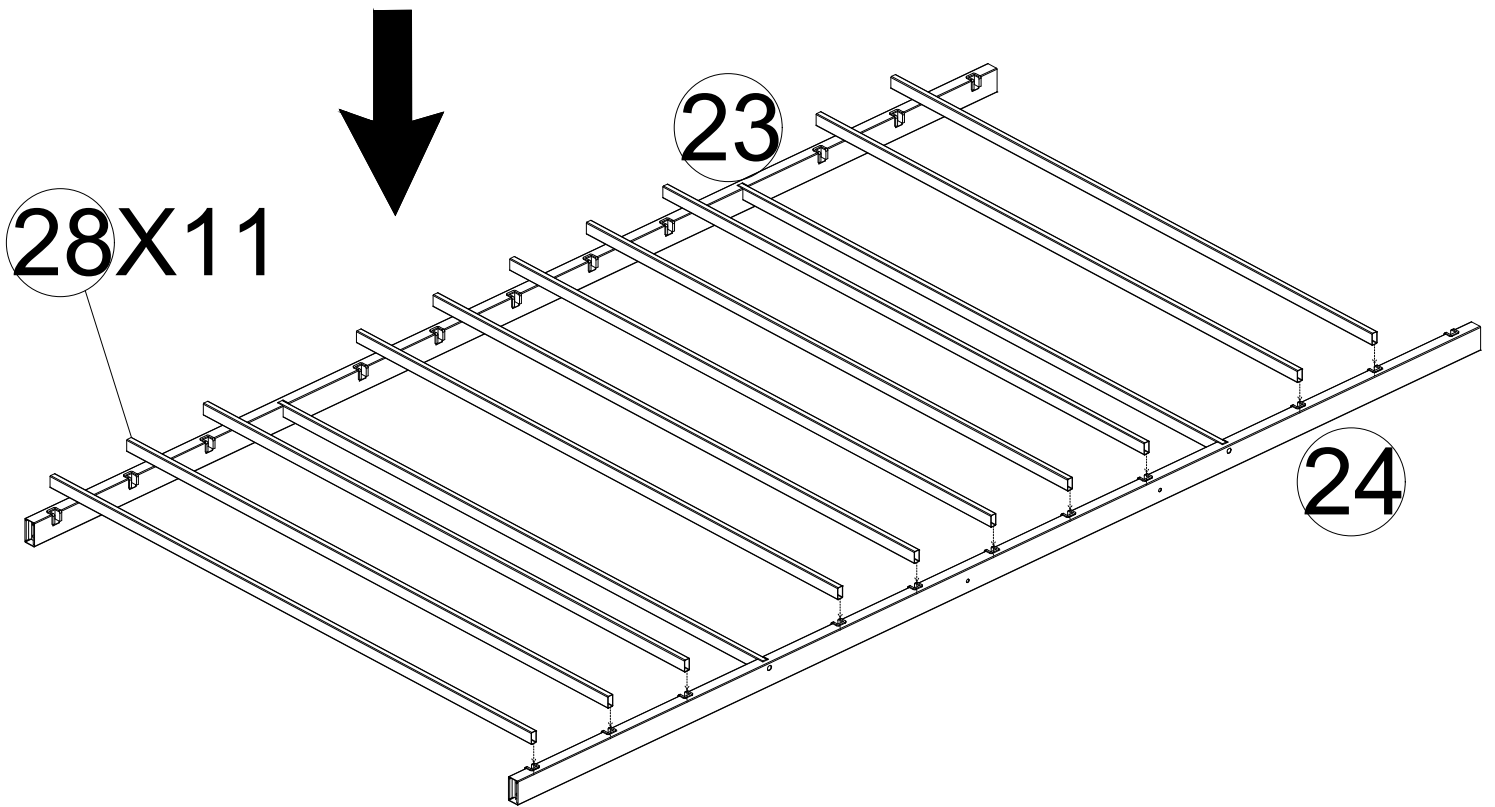


Pay attention to the spacing between holes.

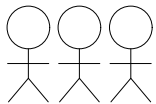


C X4

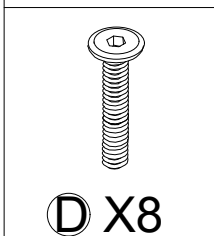
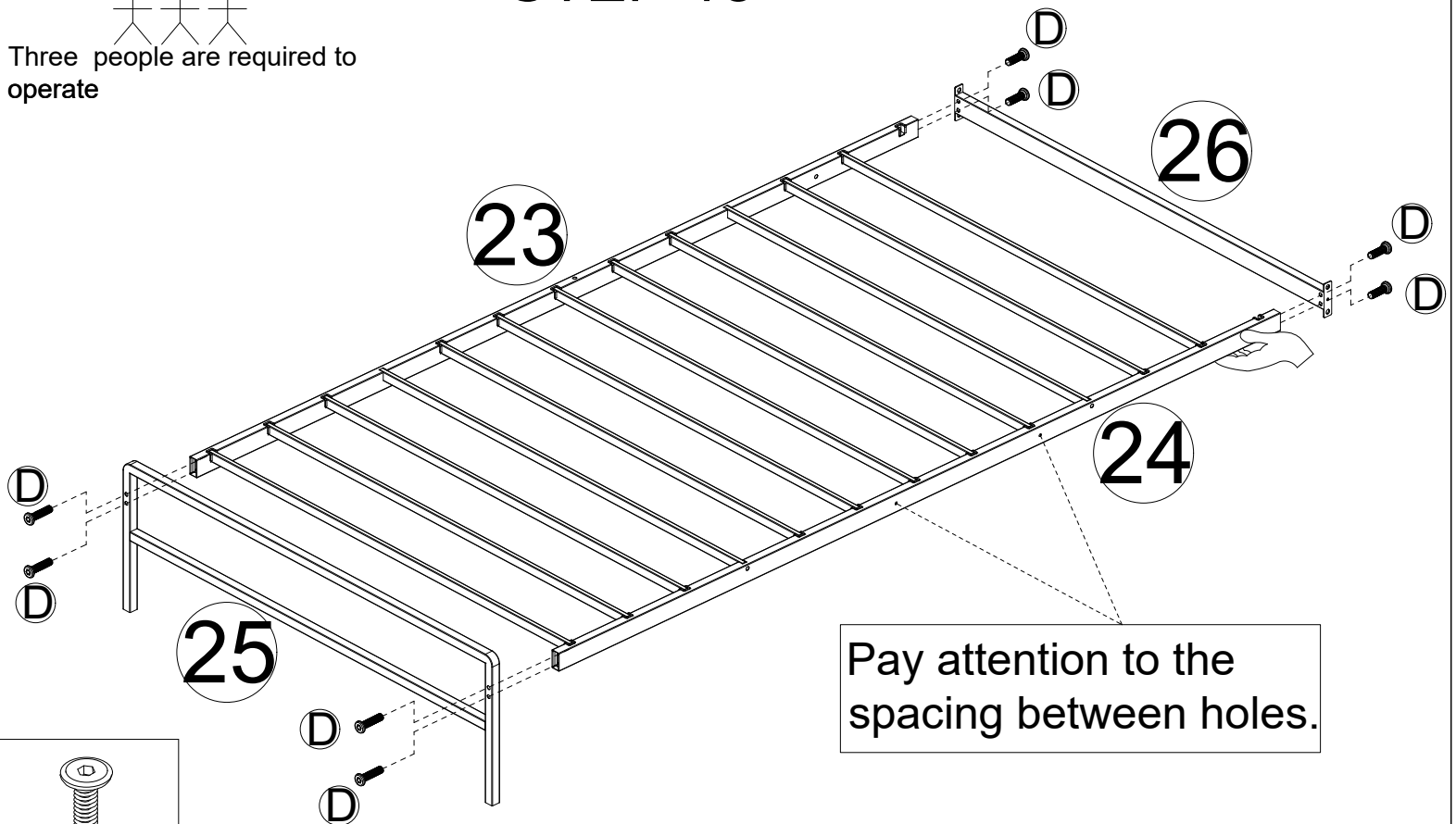
STEP 17



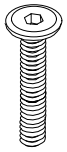
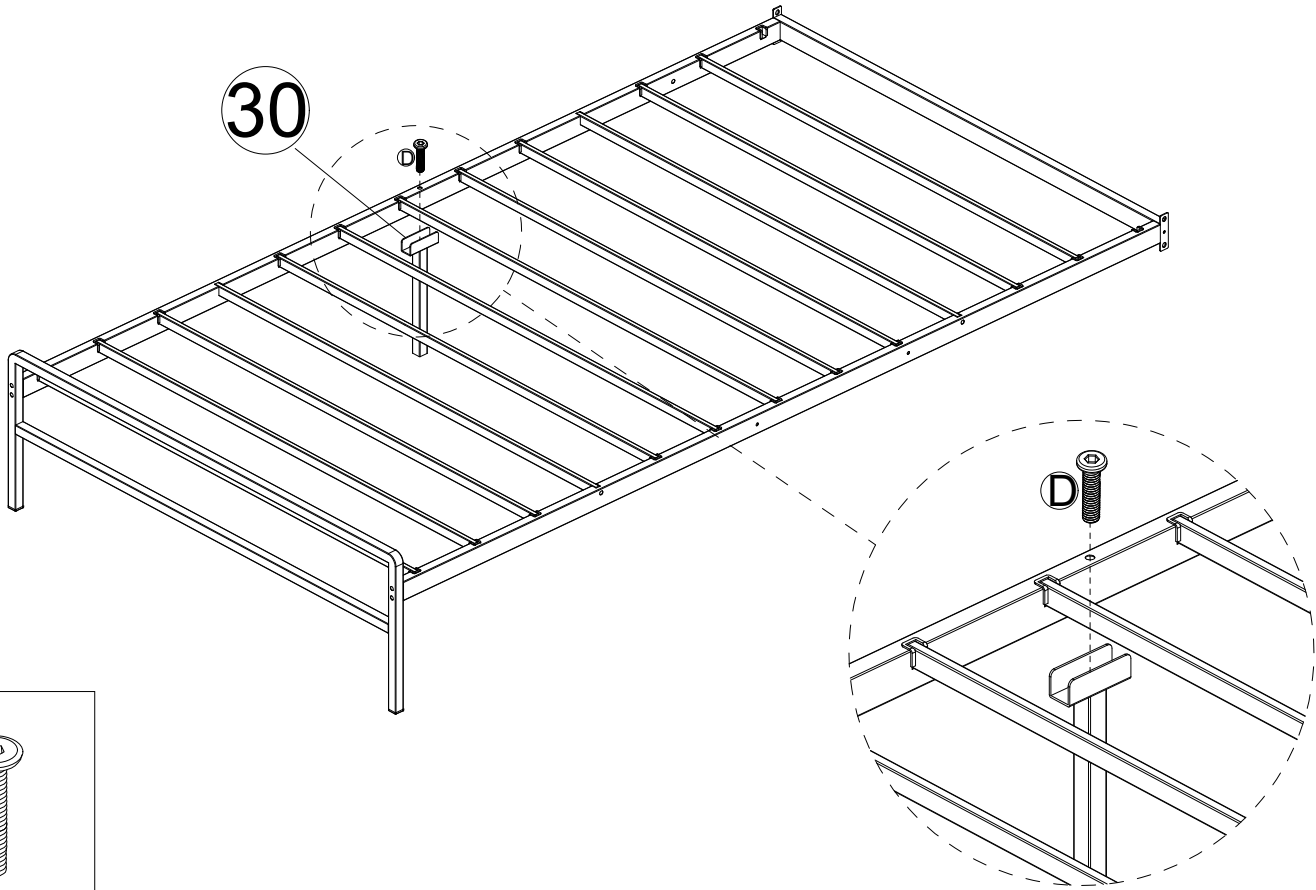
STEP 18



Three people are required to operate

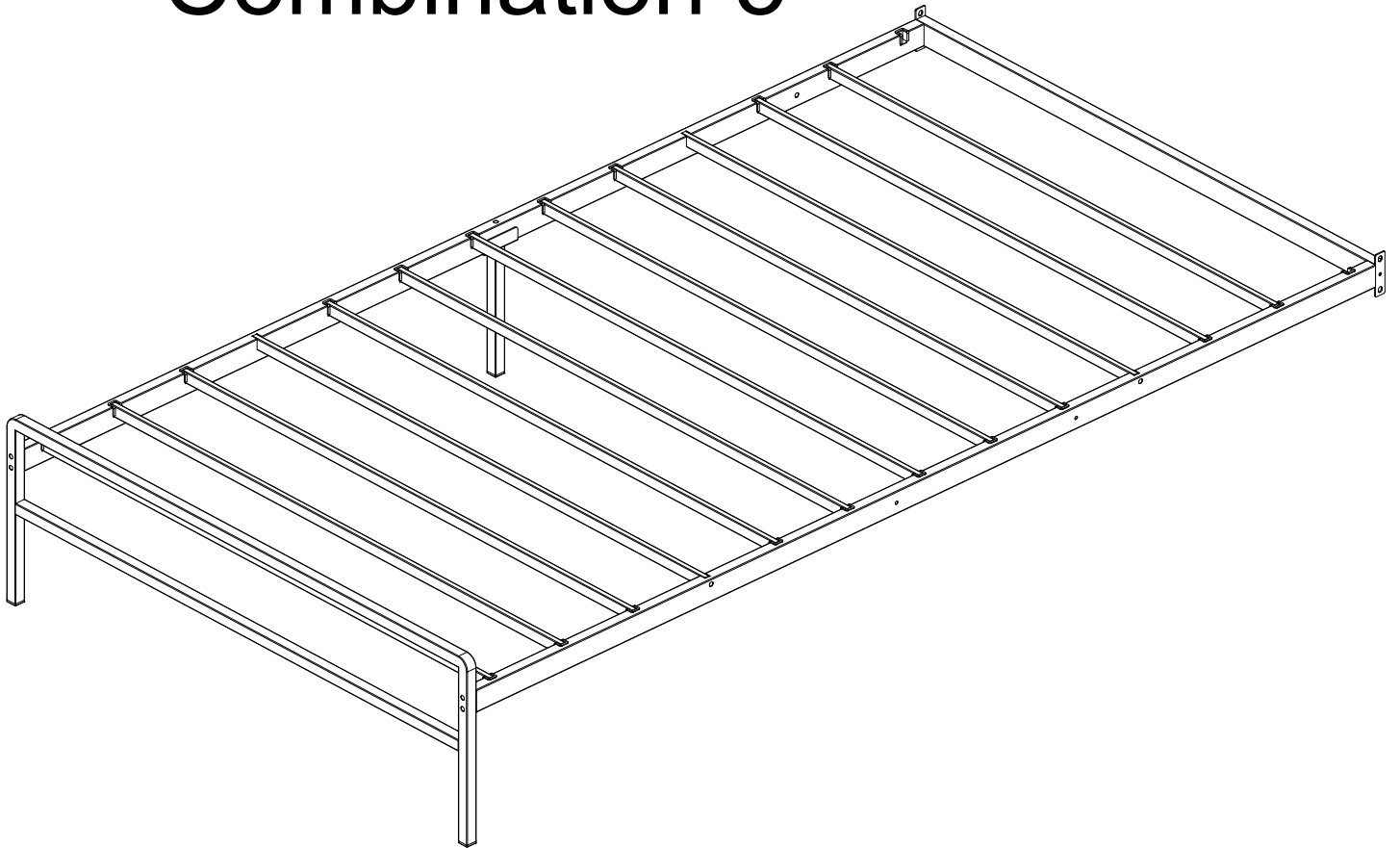


STEP 19

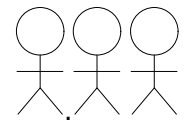


D X1

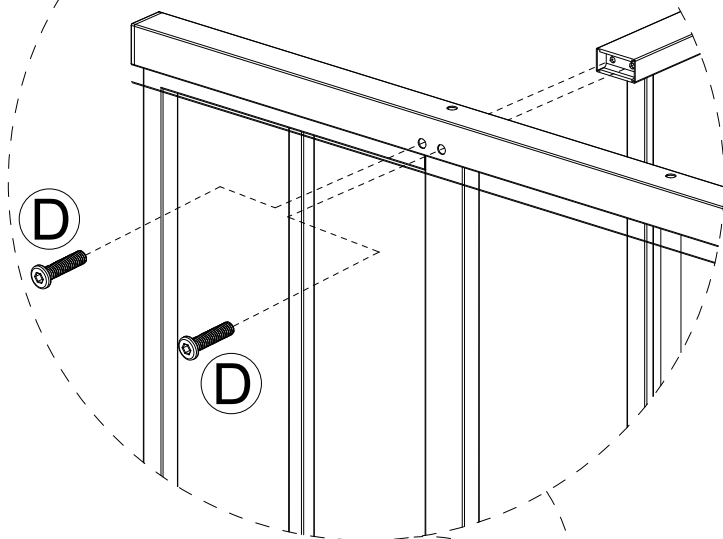
Combination 5



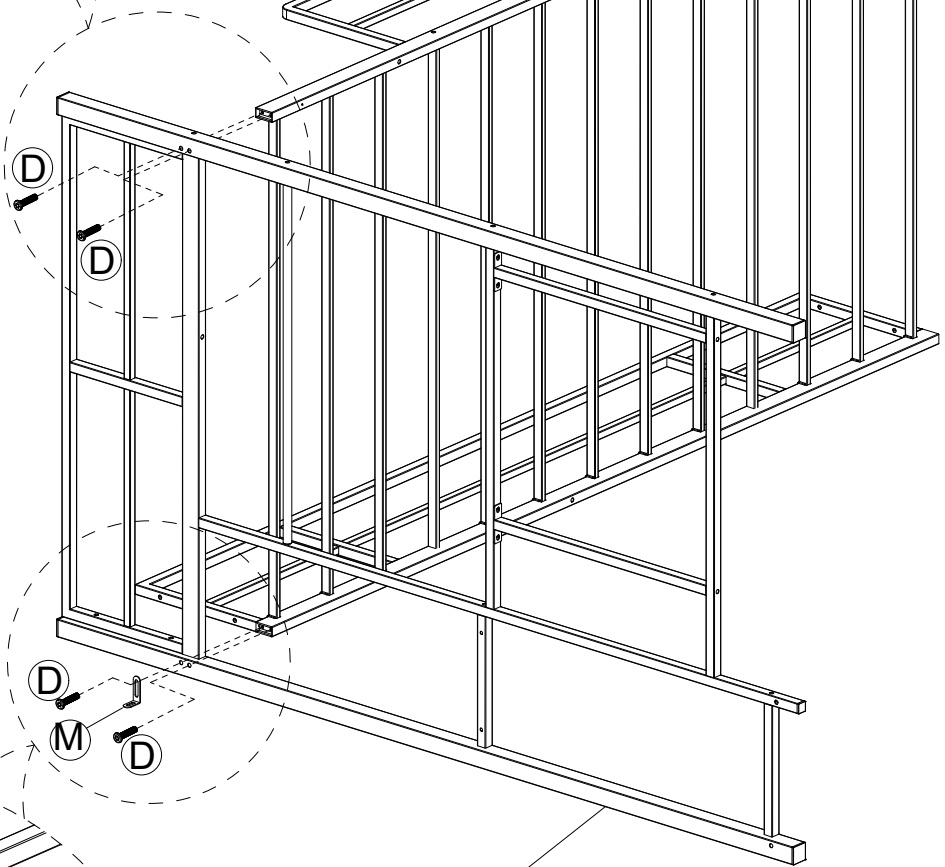
STEP 20



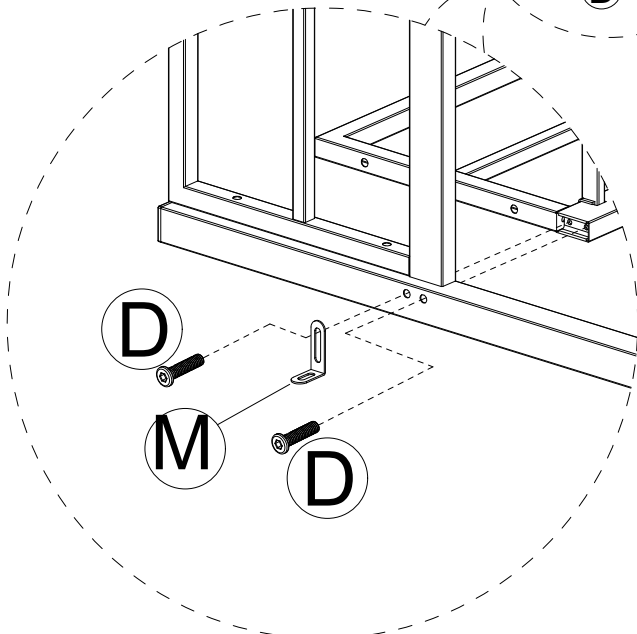
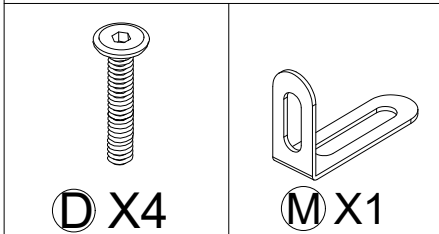
Three people are required to operate



Combination 3

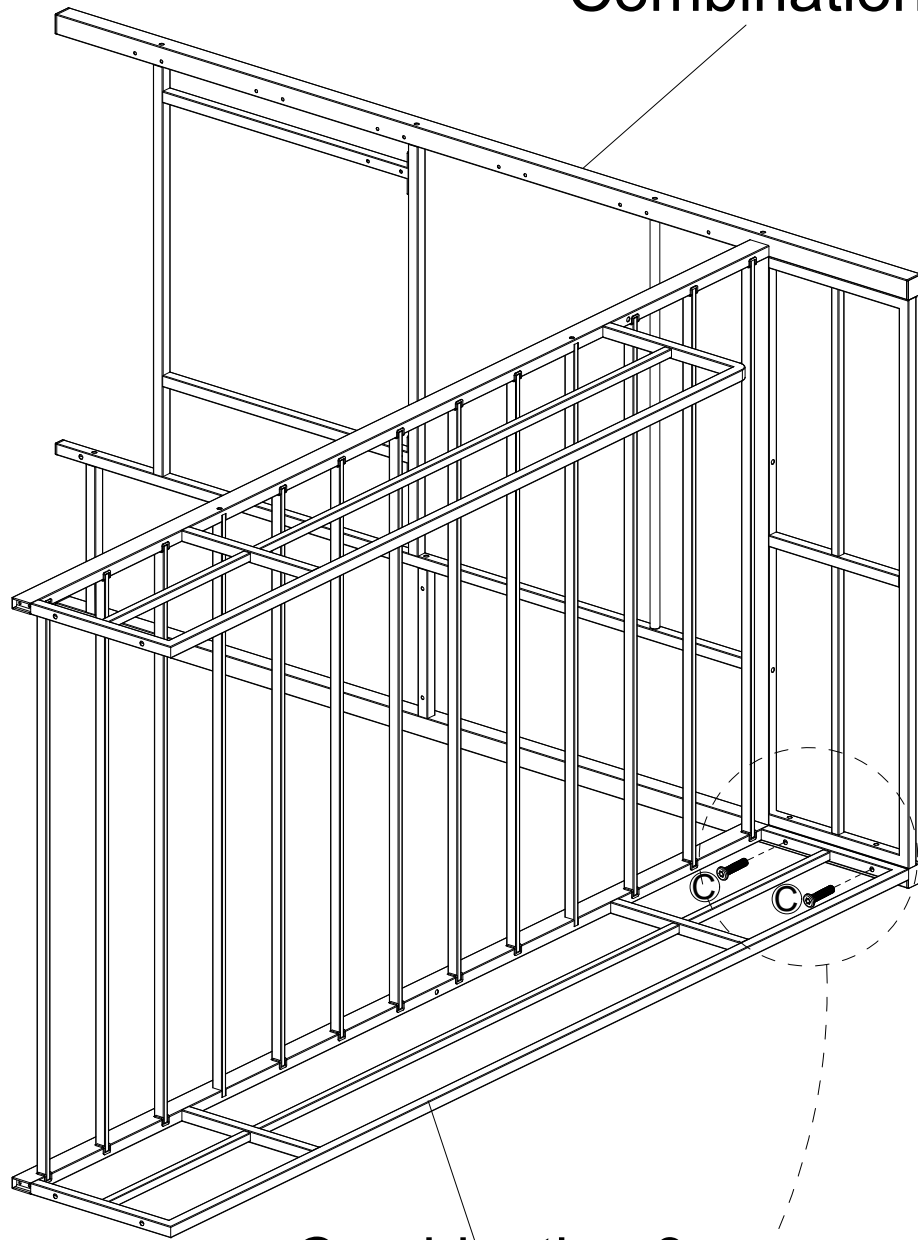


Combination 1

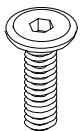
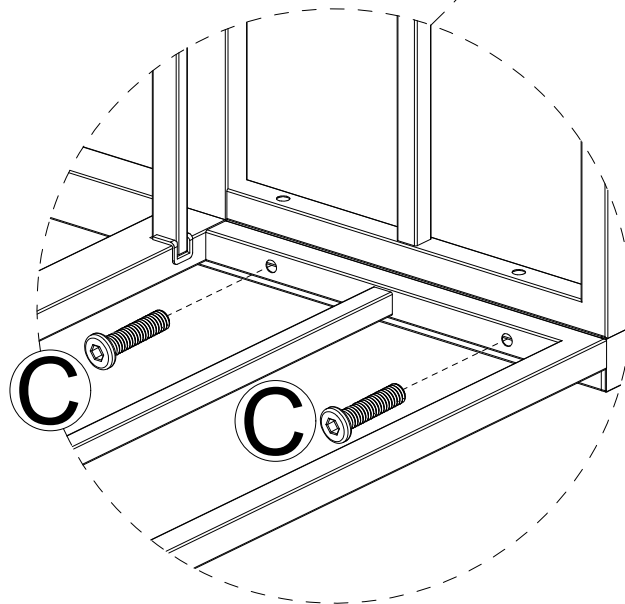


STEP 21

Combination 1




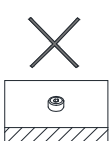
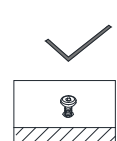
Combination 3

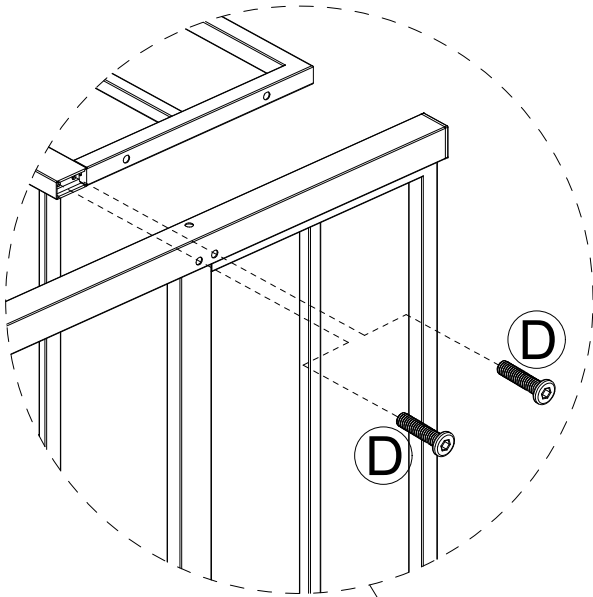


C X2

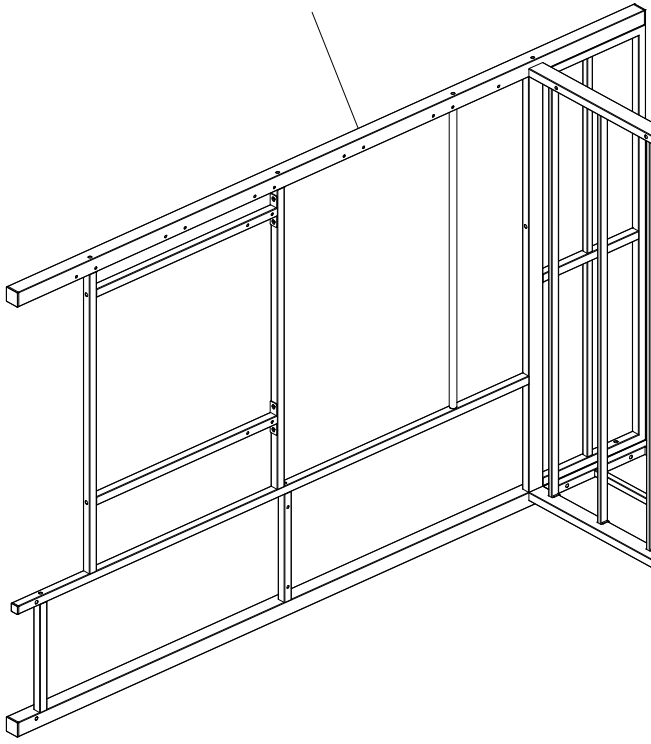
STEP 22

 to 80% first, and tighten all screws 100% after all parts are assembled.

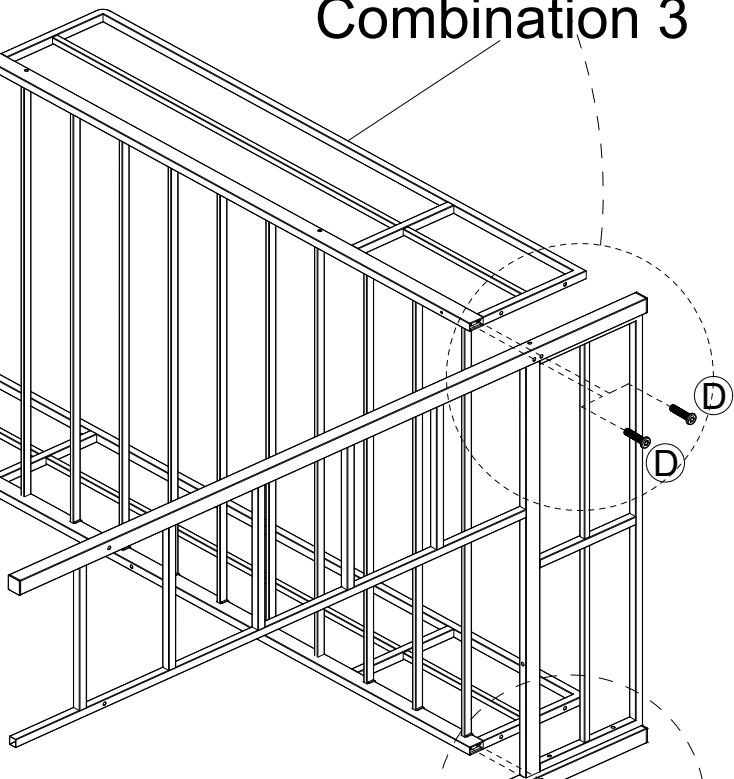
	
---	---



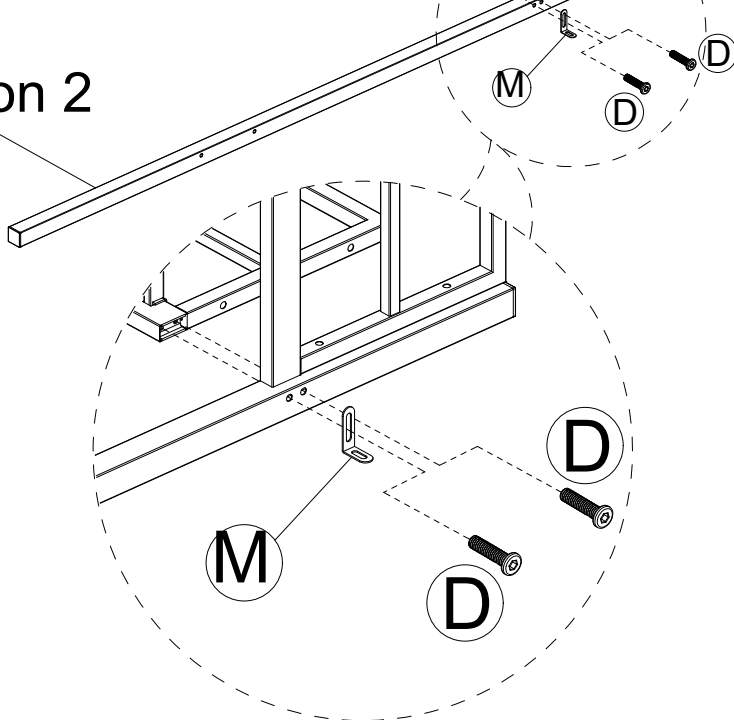
Combination 1

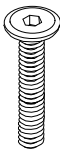
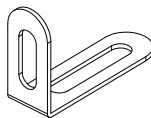


Combination 3




Combination 2







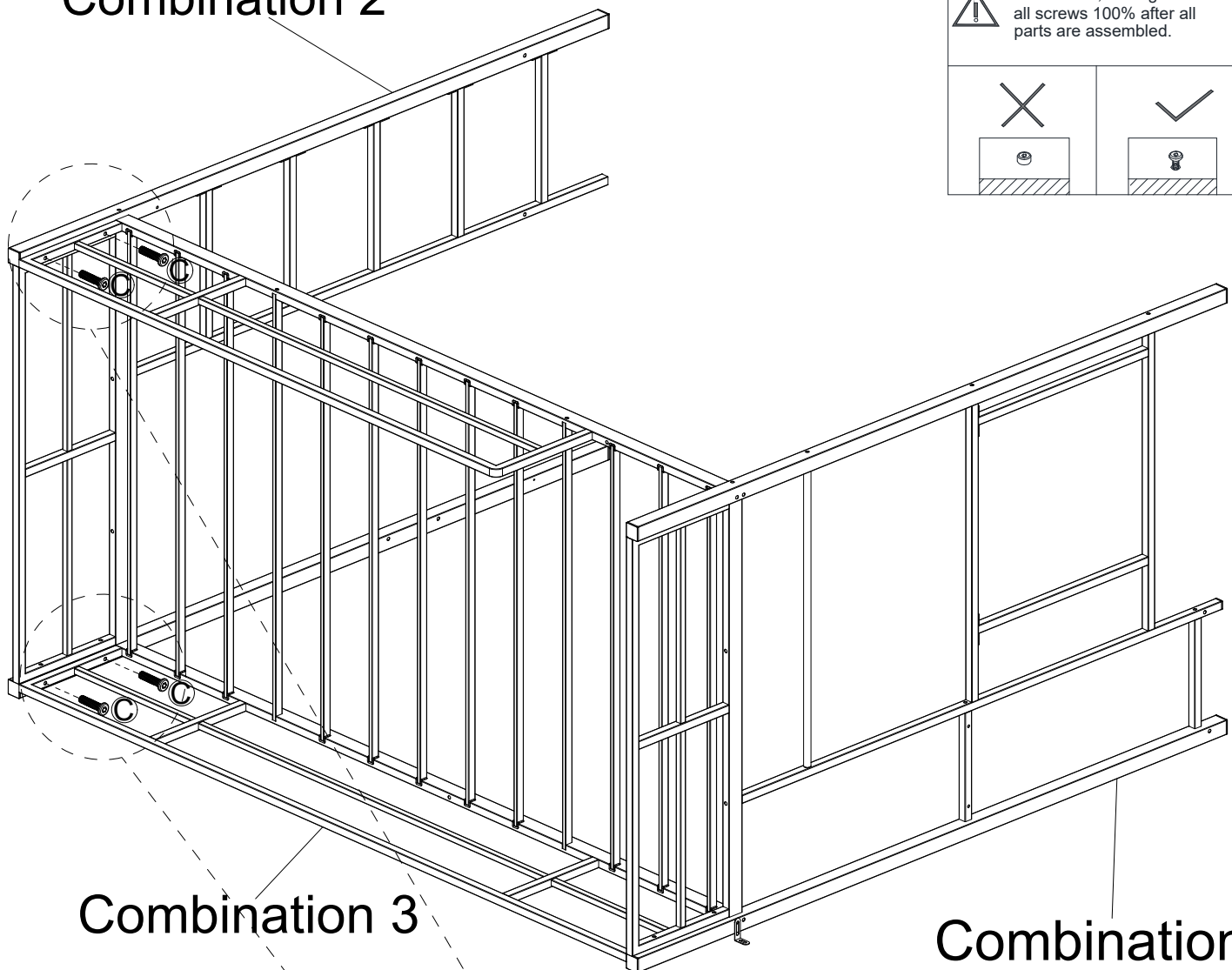
 D X4	 M X1
---	---

STEP 23

Combination 2

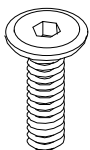
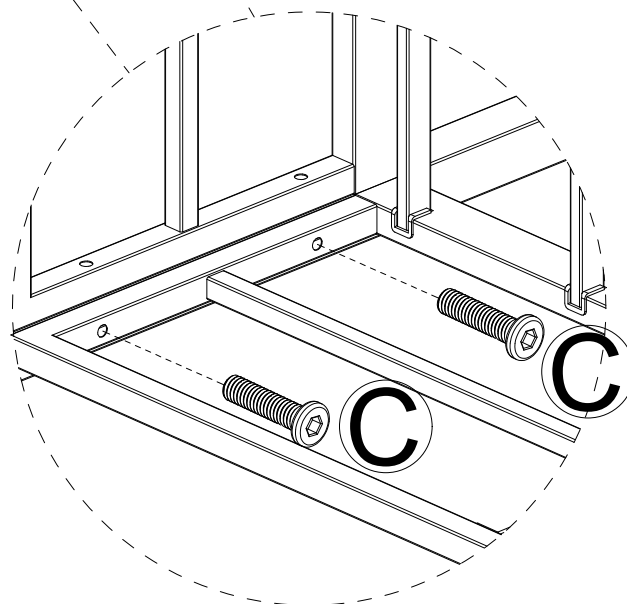
 to 80% first, and tighten all screws 100% after all parts are assembled.



Combination 3

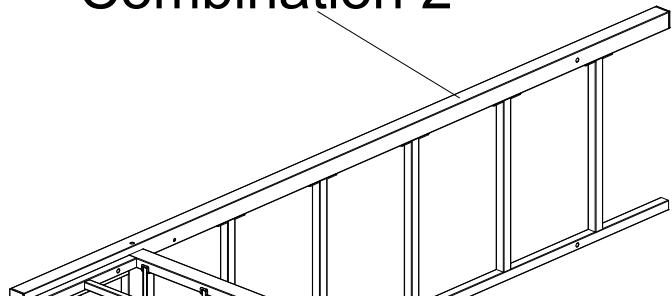
Combination 1



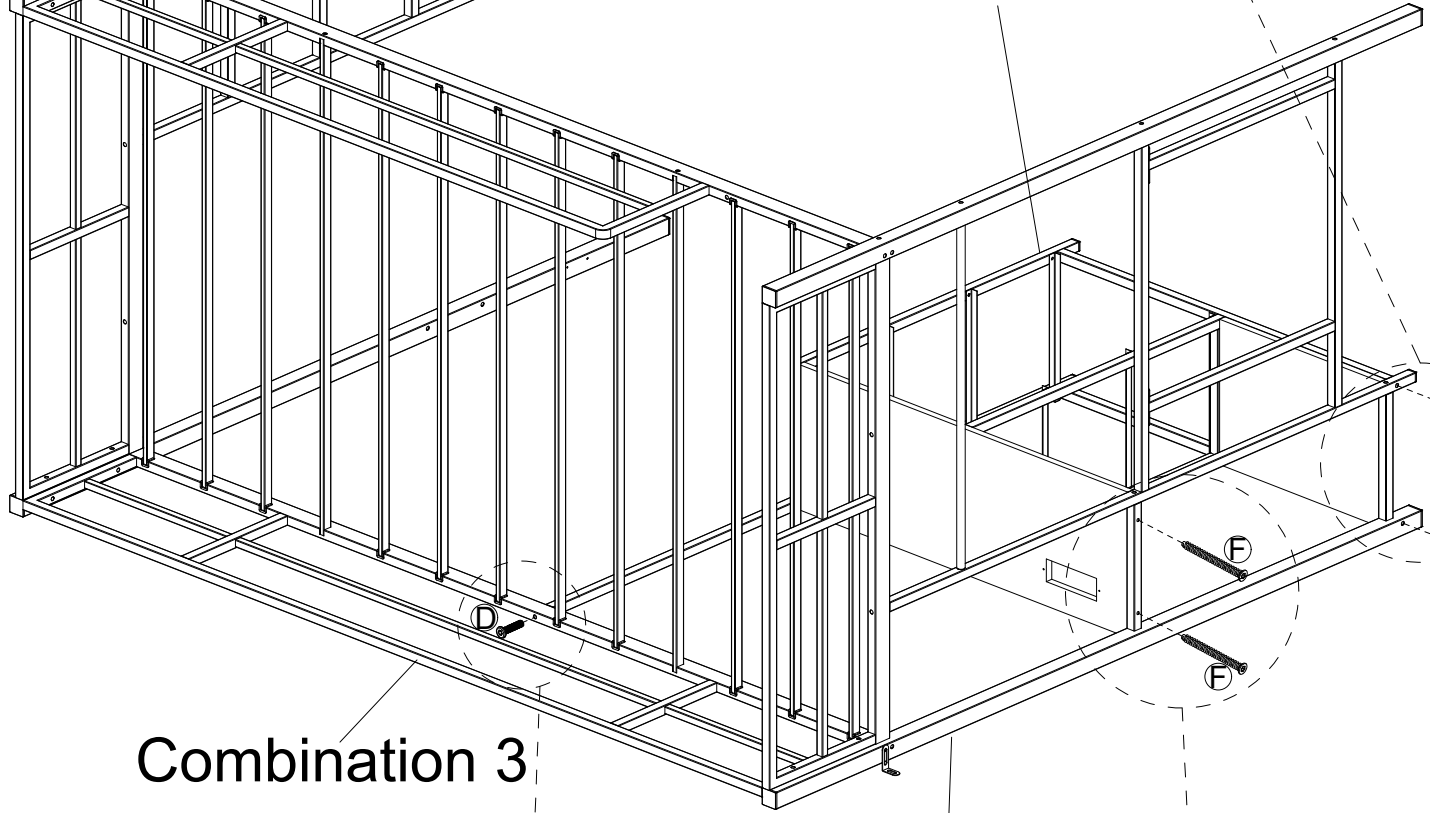
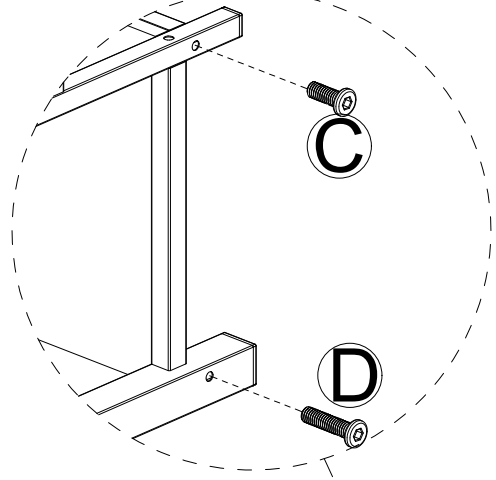
C X4

STEP 24

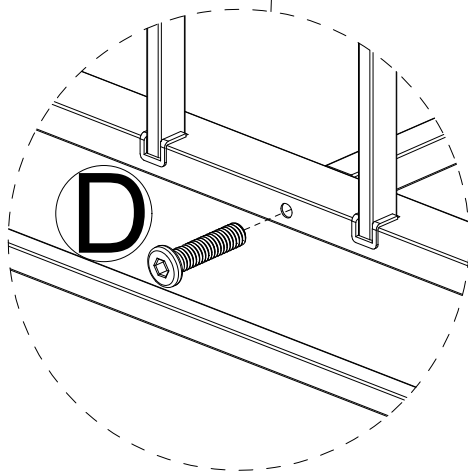
Combination 2



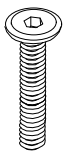
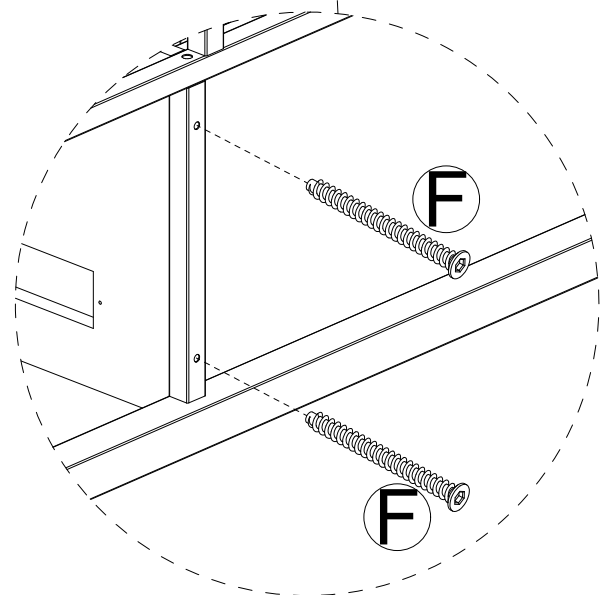
Combination 4



Combination 3



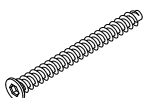
Combination 1



D X2

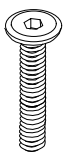
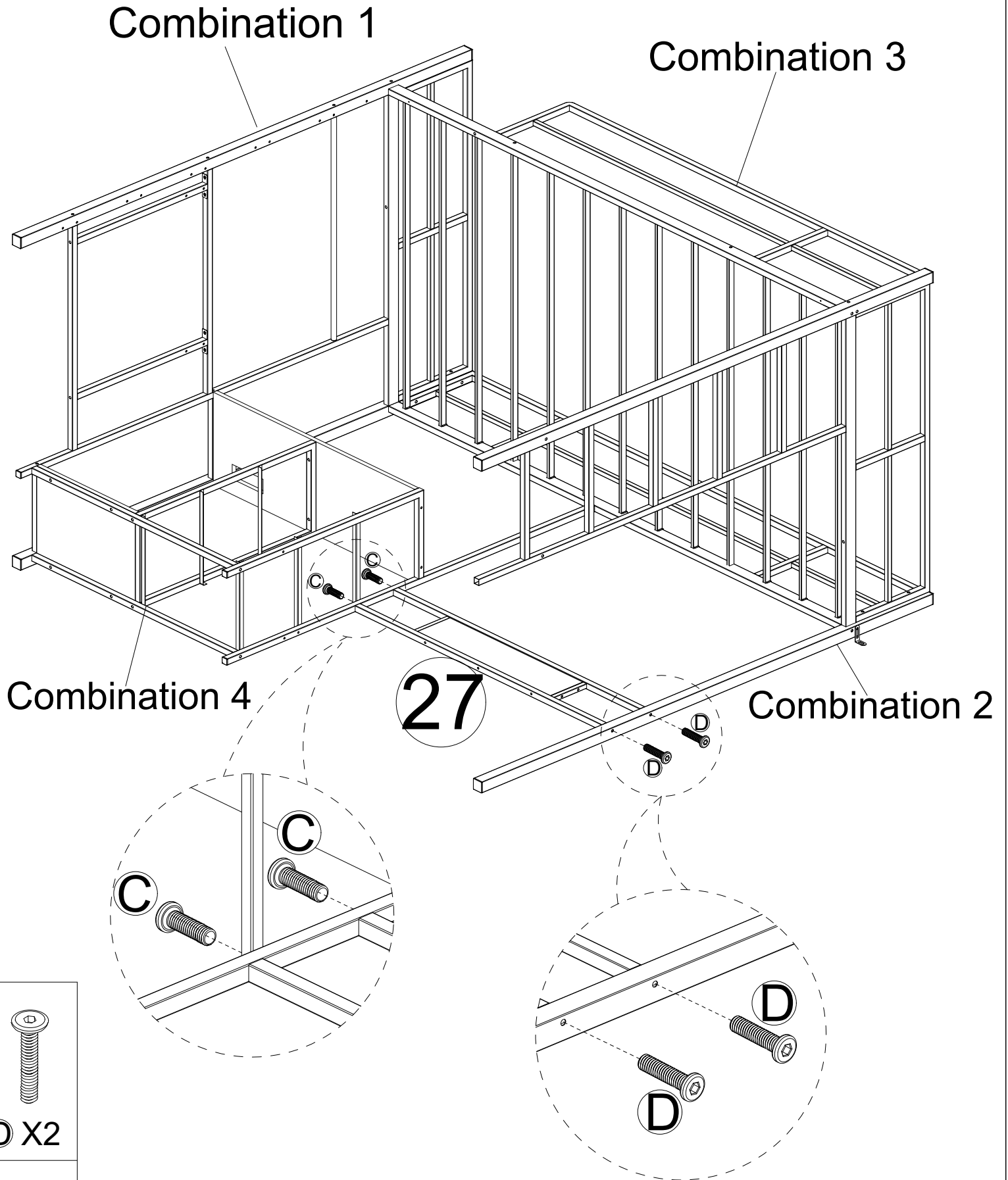


C X1



F X2

STEP 25

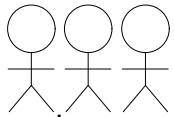


D X2

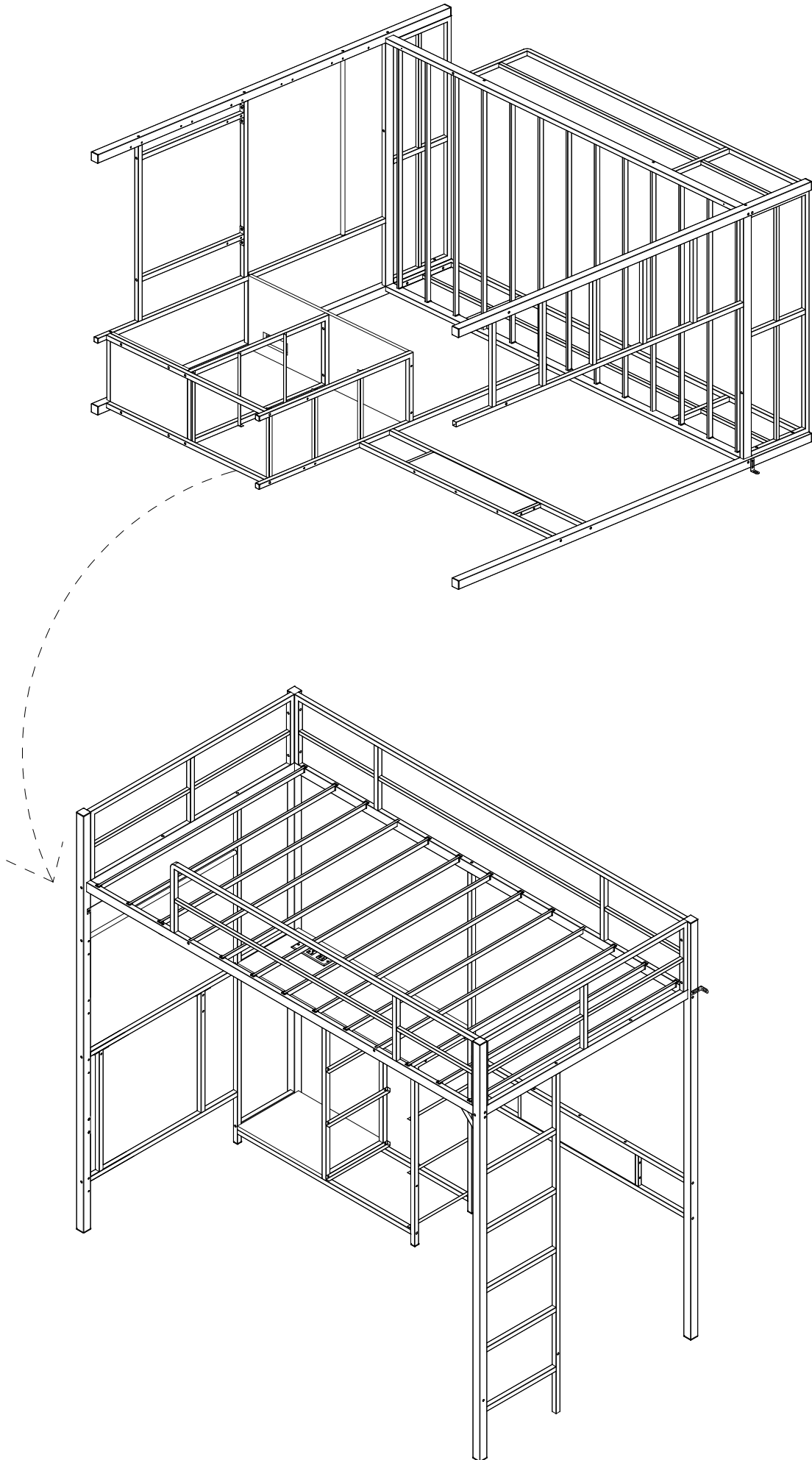


C X2

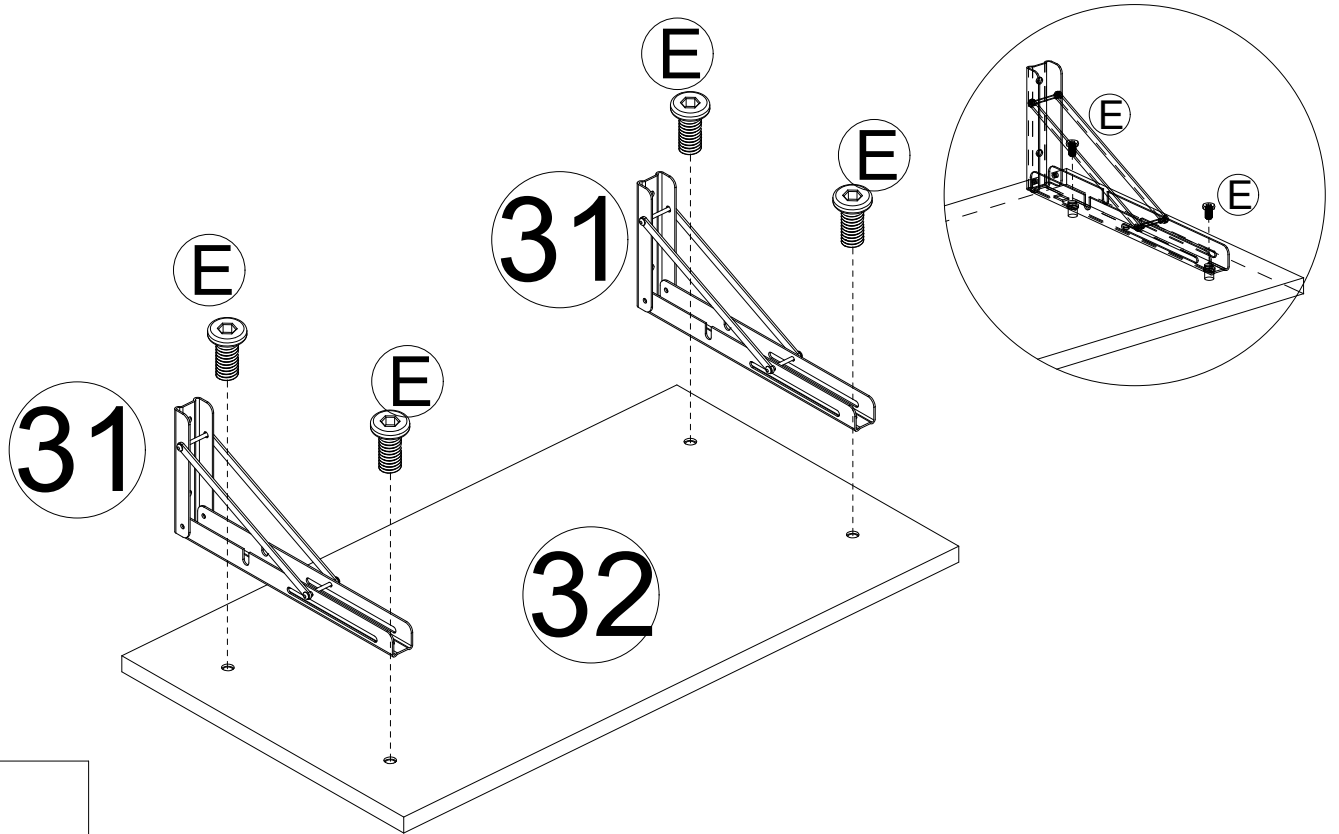
STEP 26



Three people are required to operate

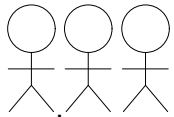


STEP 27

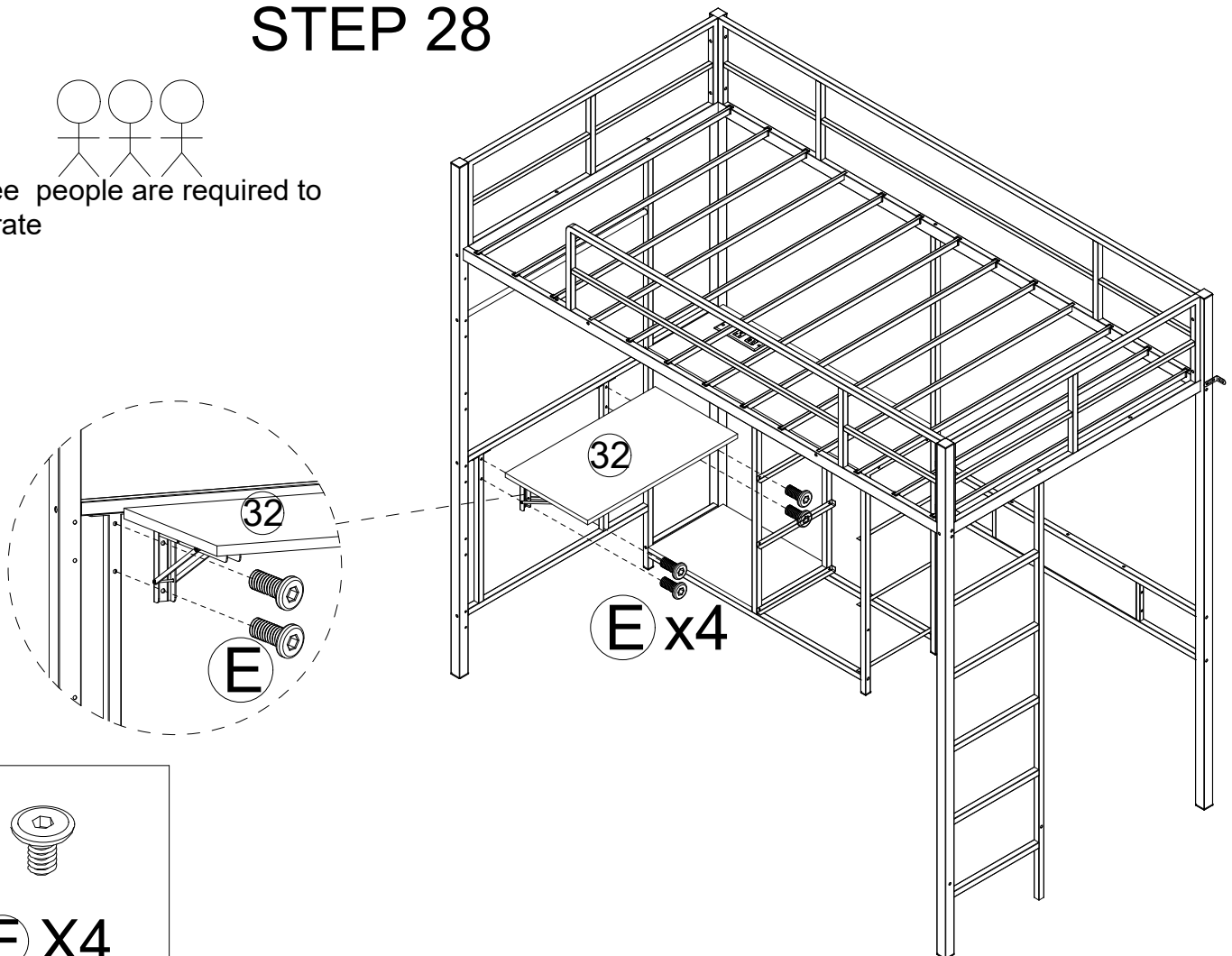


E X4

STEP 28

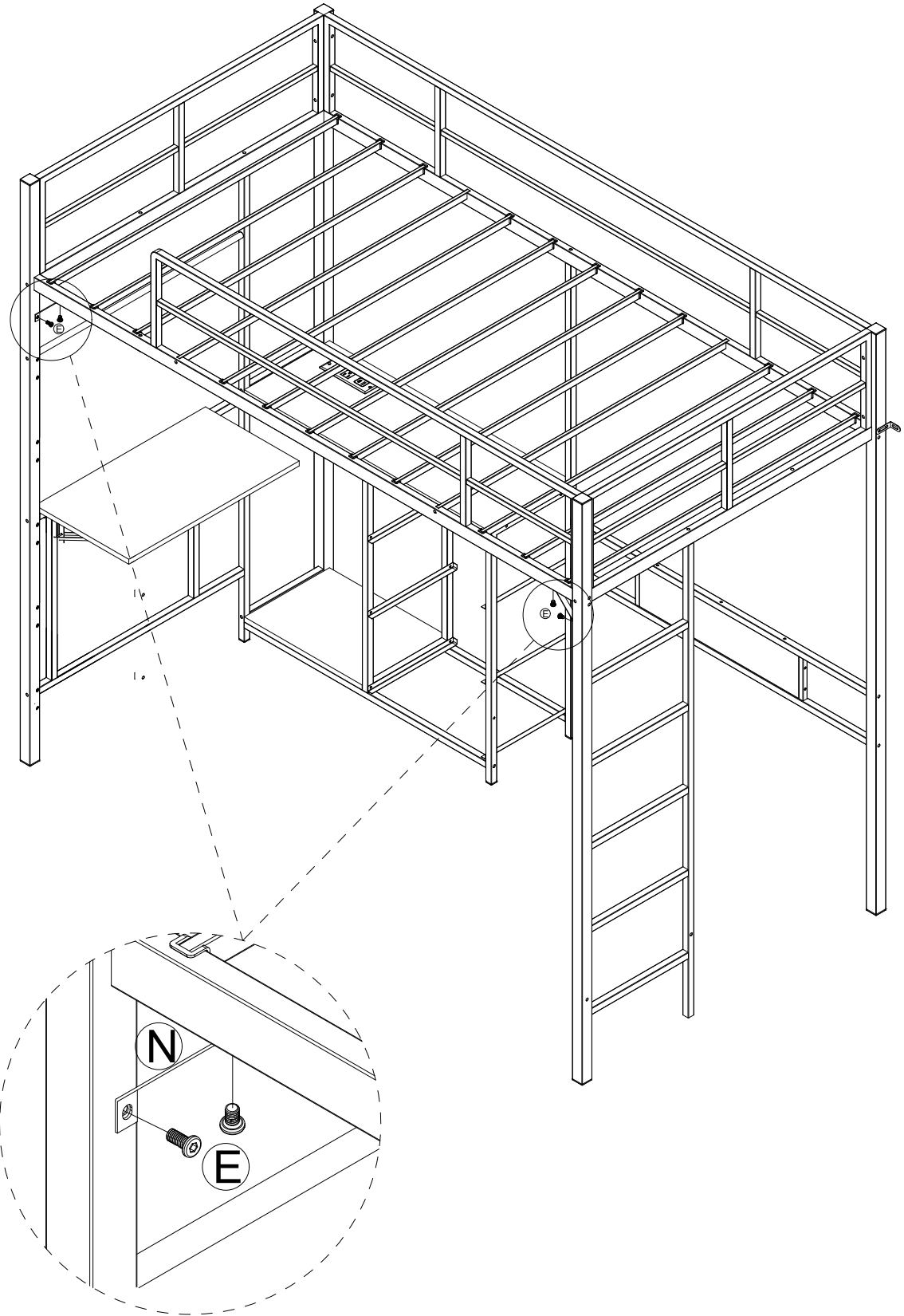


Three people are required to operate



E X4

STEP 29



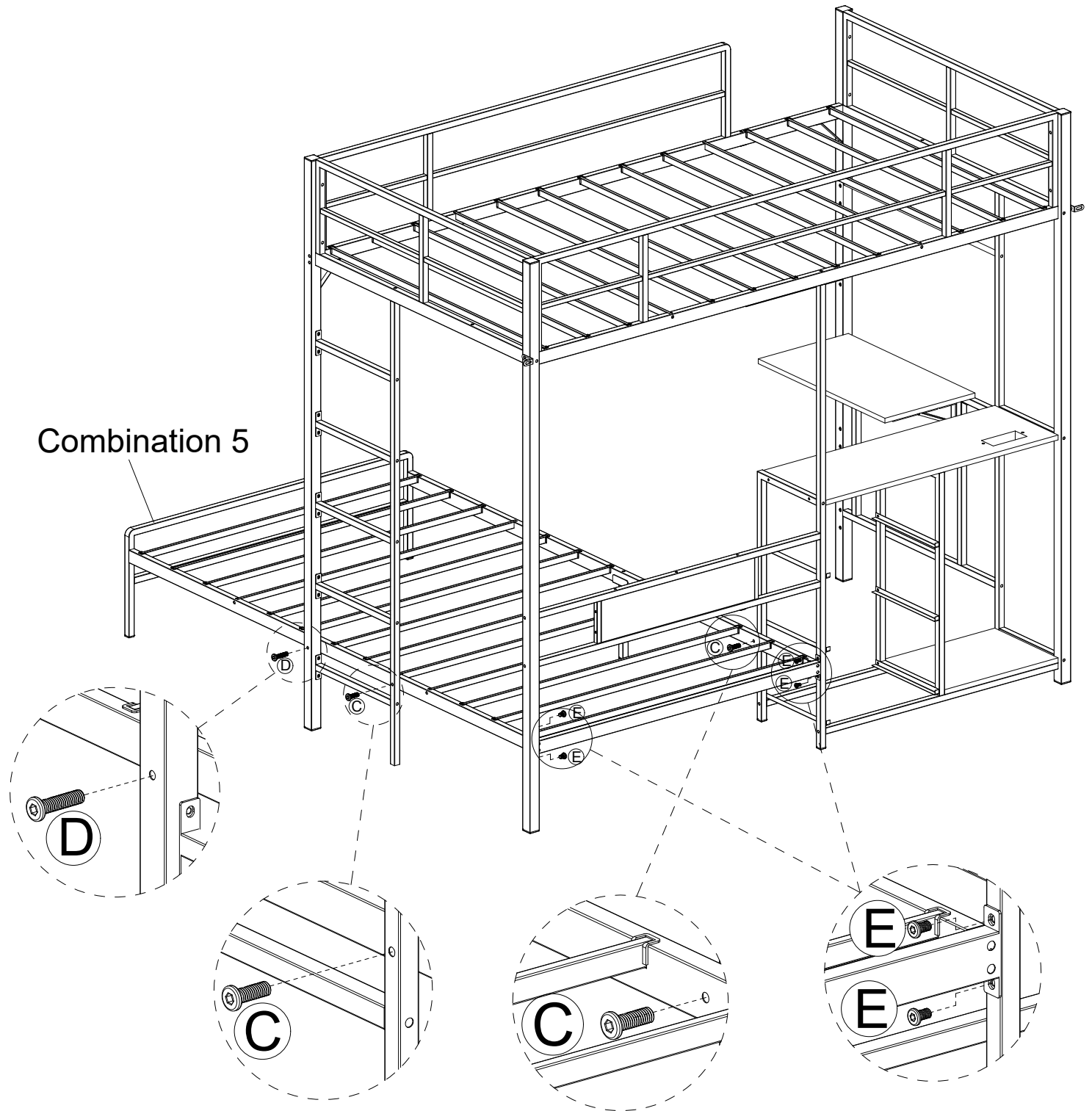
E X4



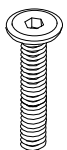
N X2

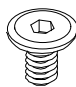
STEP 30

Combination 5

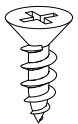
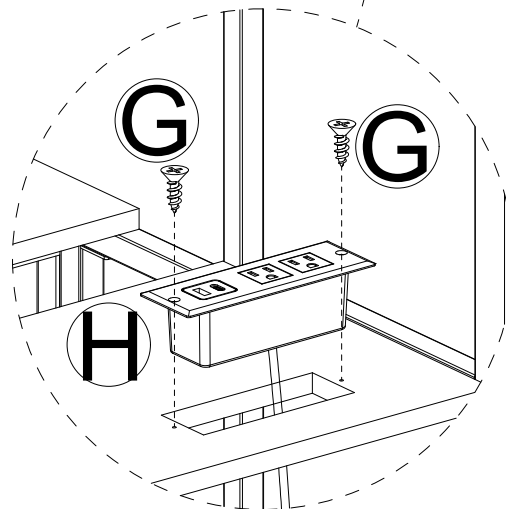
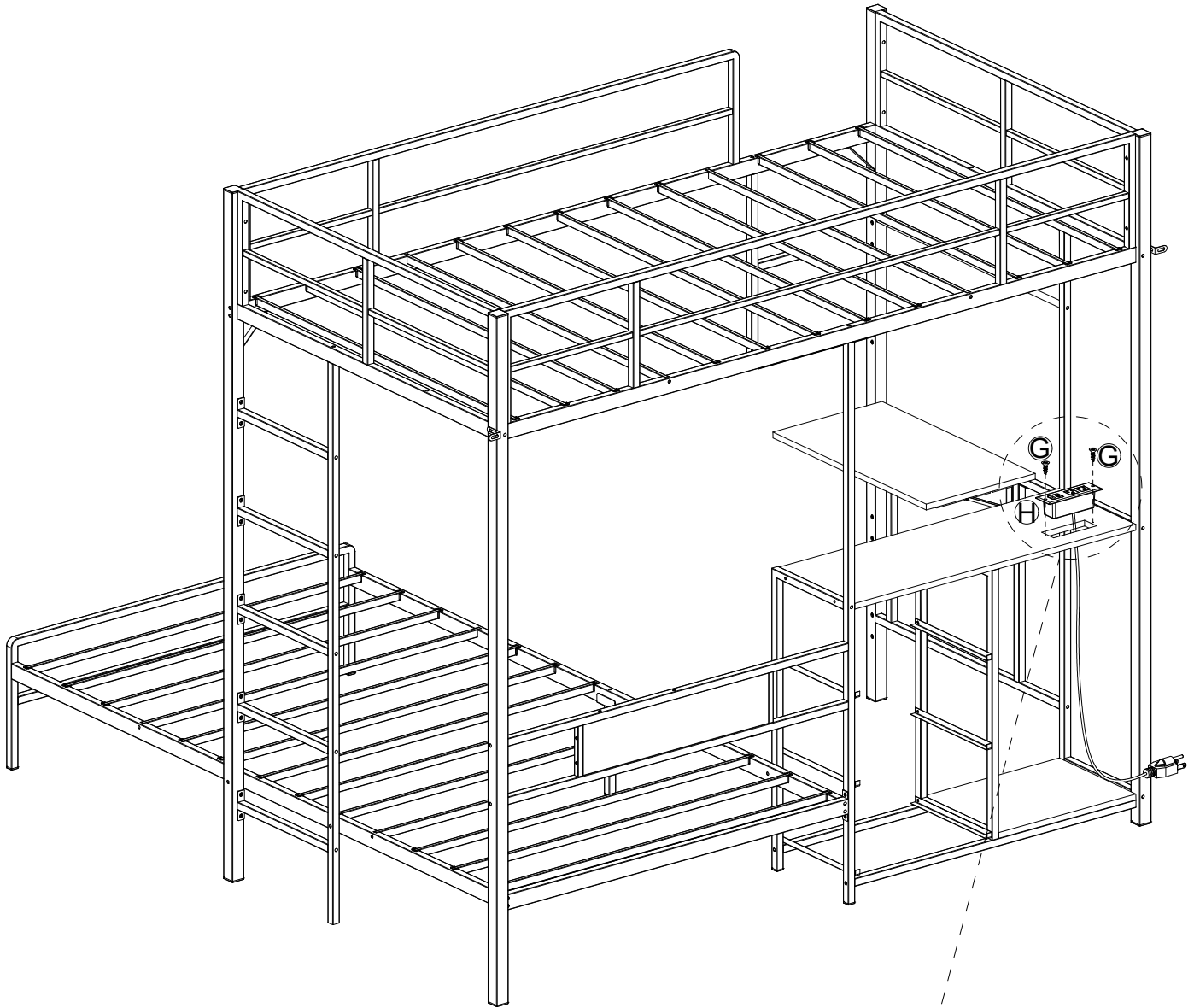



C X2

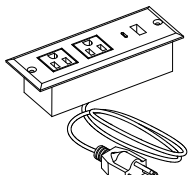

D X1


E X4

STEP 31

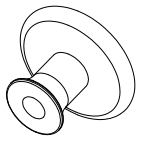
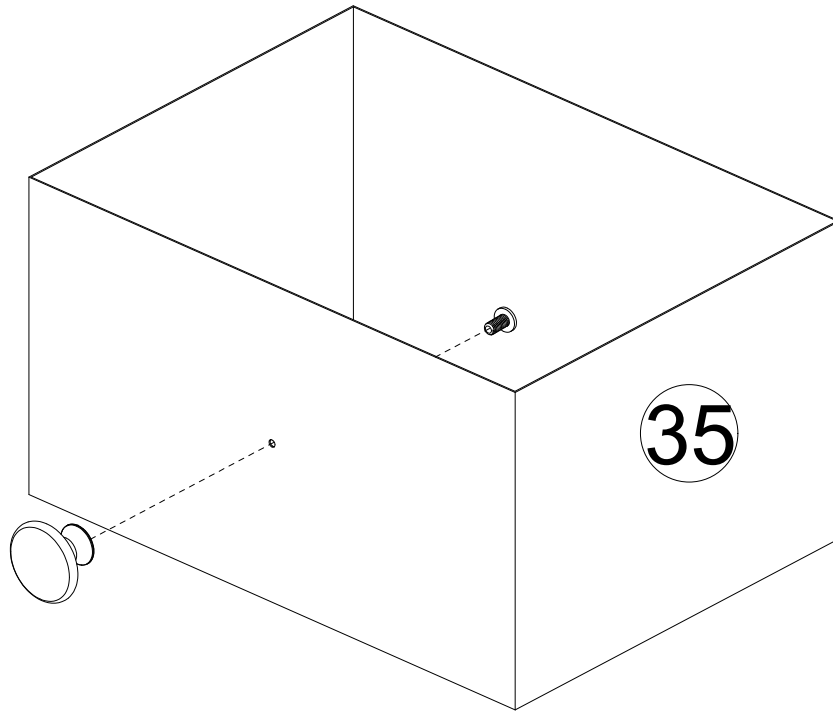


G X2



H X1

STEP 32



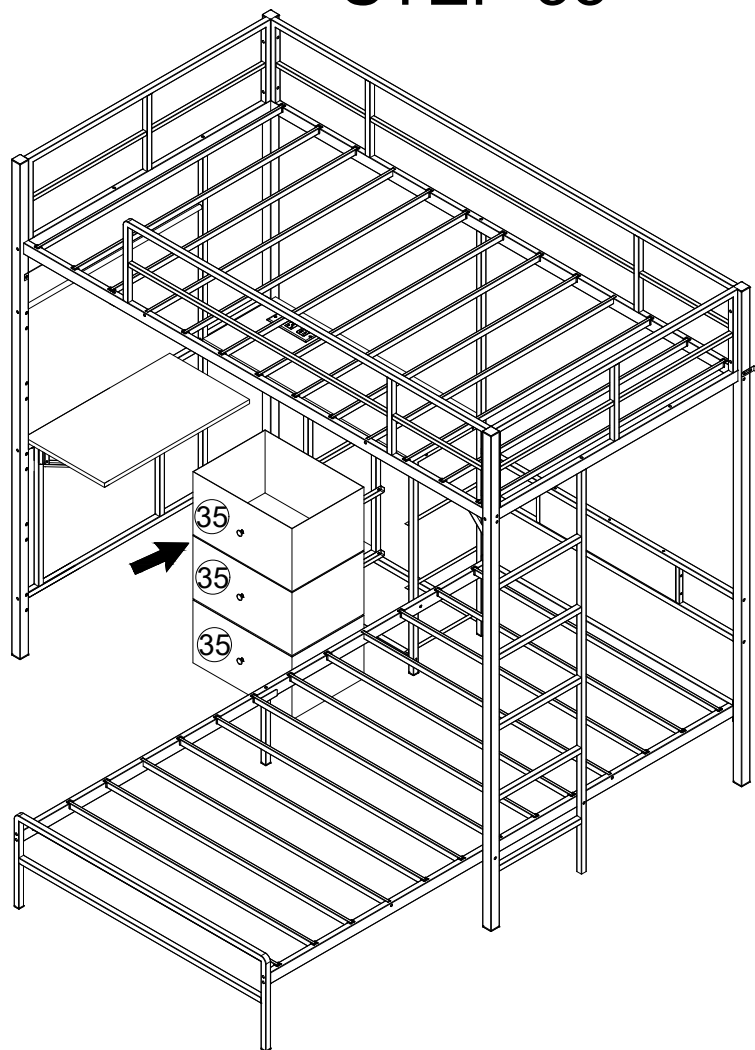
K1

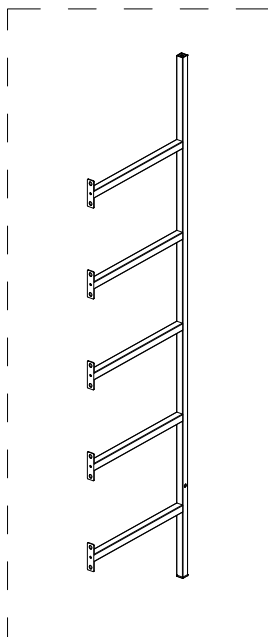
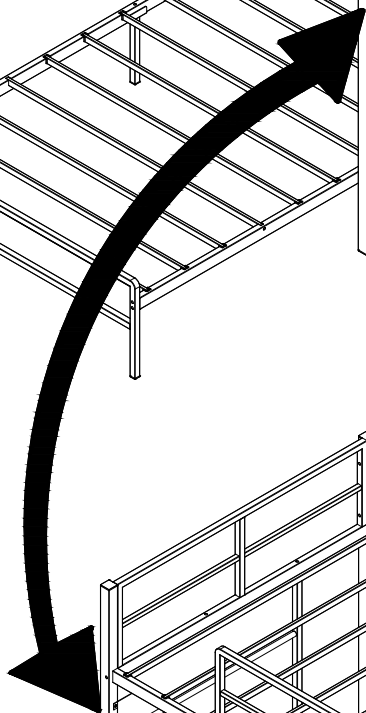
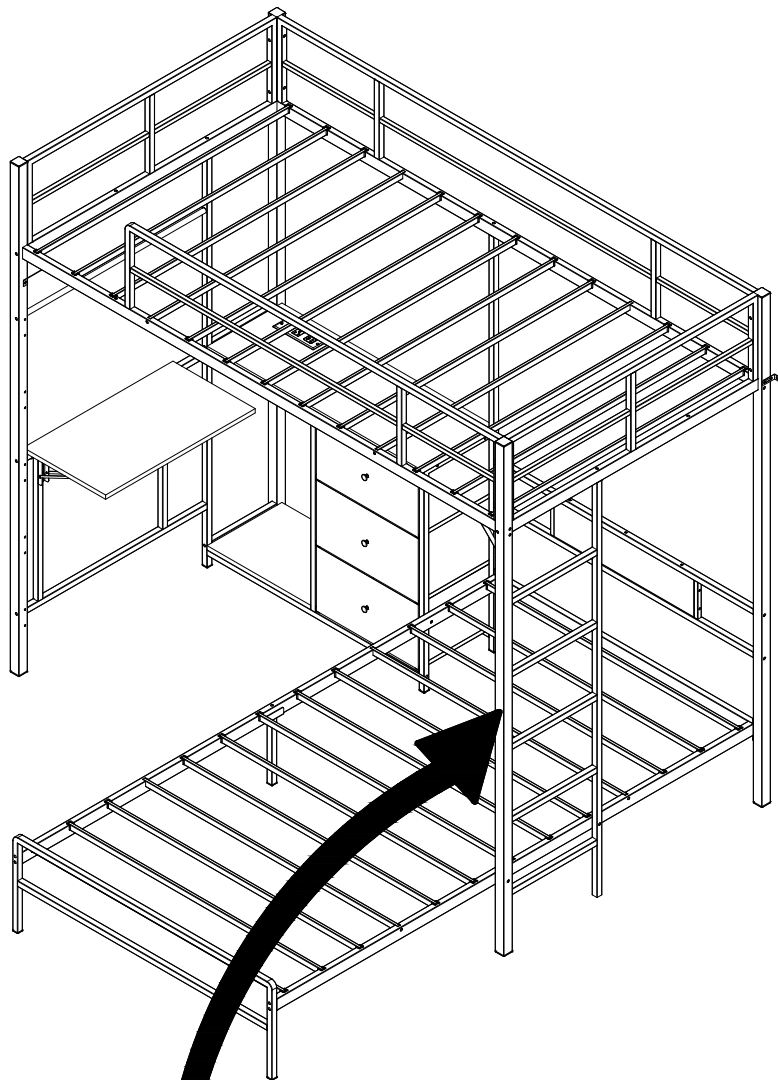


K2

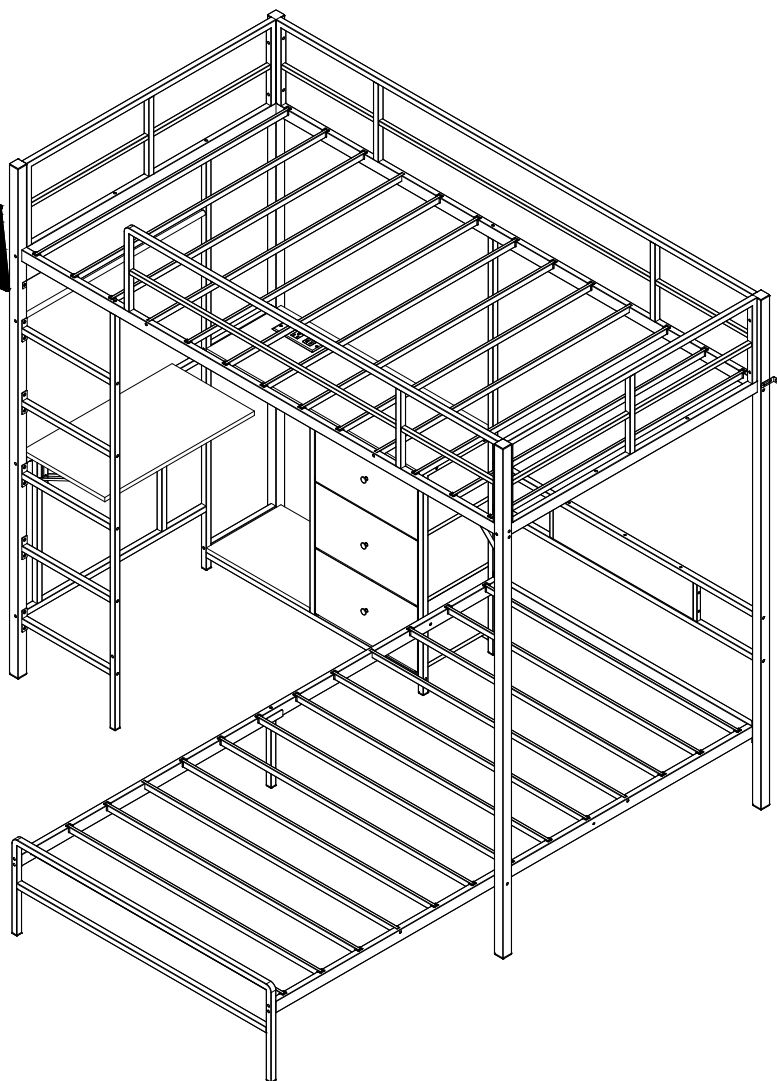
Ⓚ X3

STEP 33



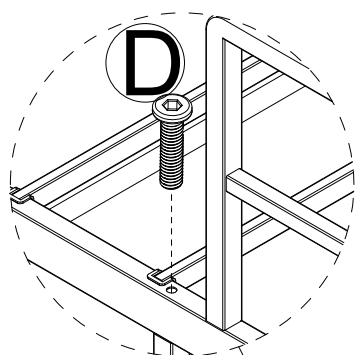


Interchangeable components

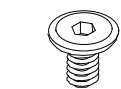
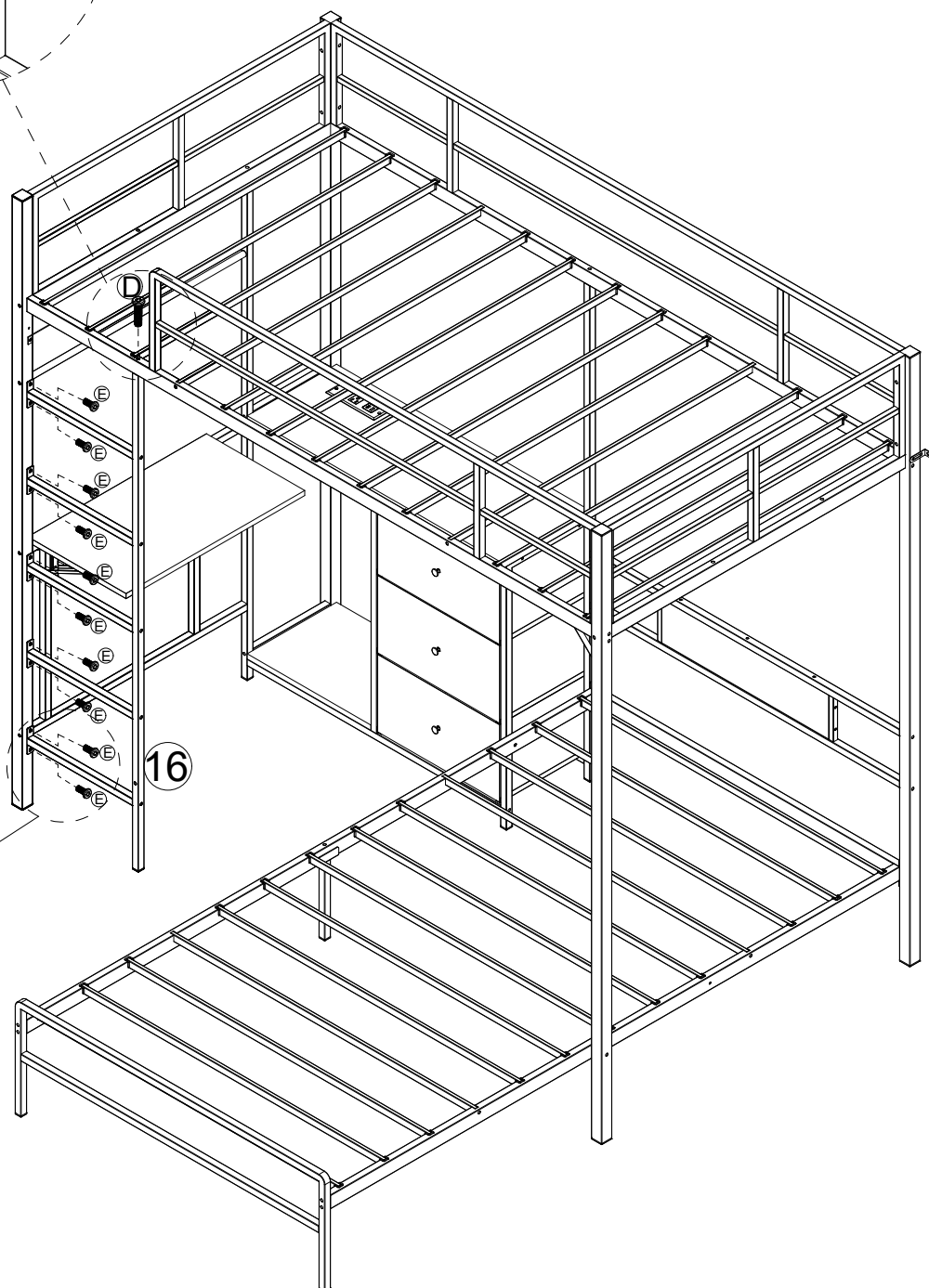


STEP 34

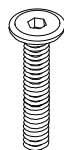
B: The installation process



The screws here are interchangeable with the assembled screws in Step 7.

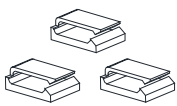
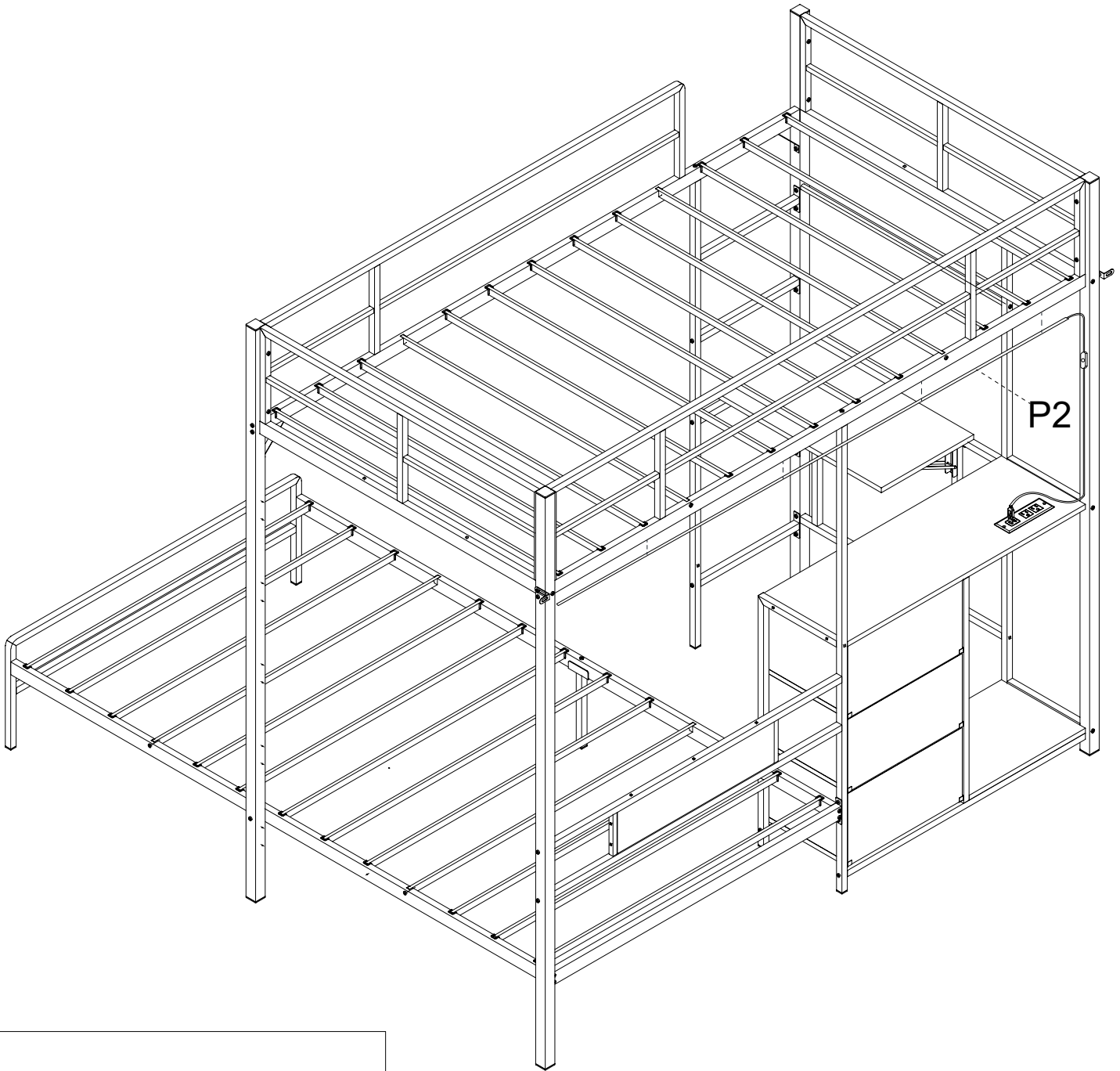
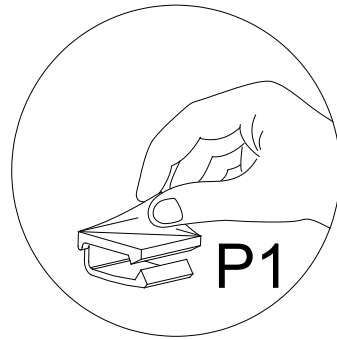
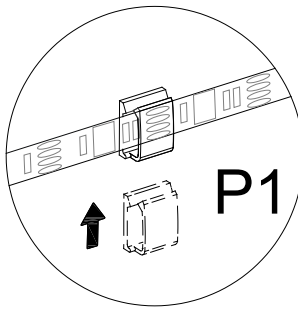
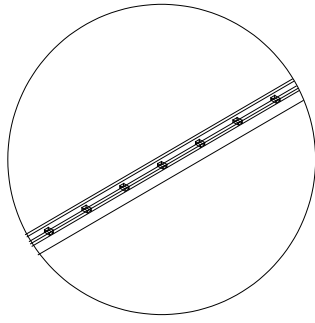
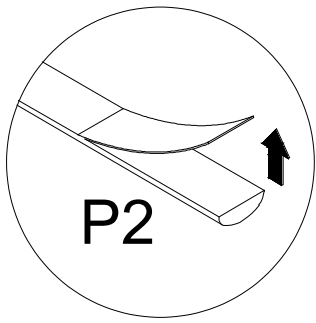


E X10

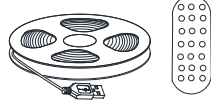


D X1

STEP 35



P1



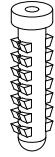
P2

Ⓟ X1

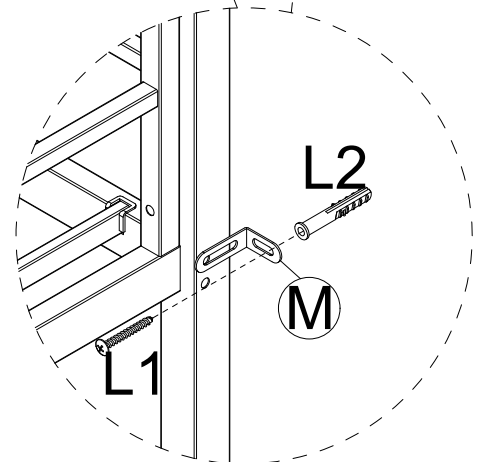
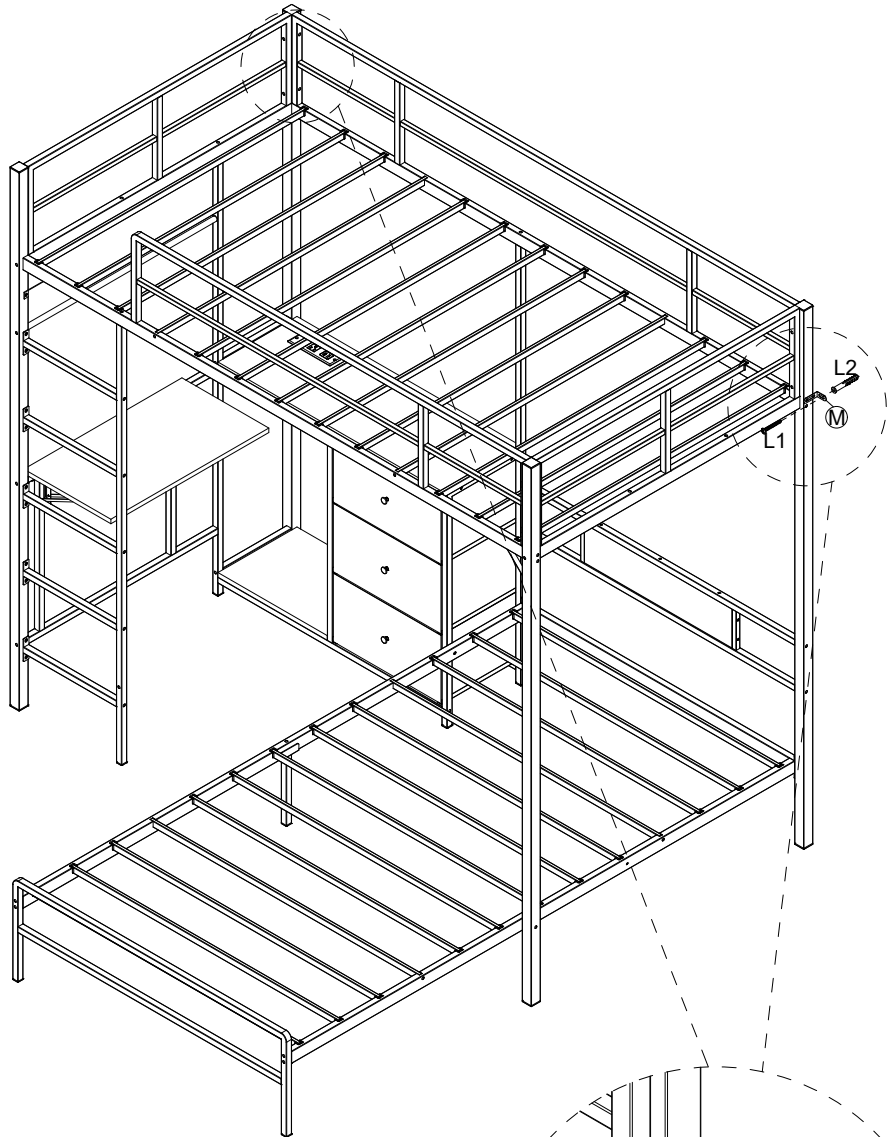
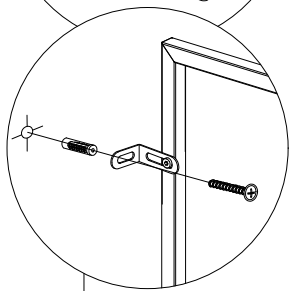
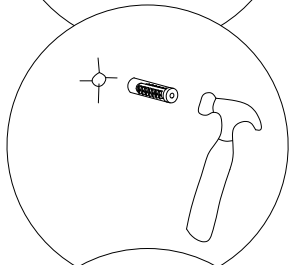
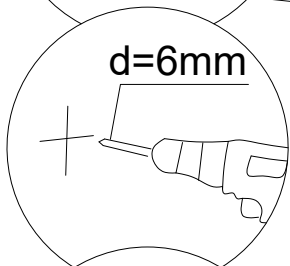
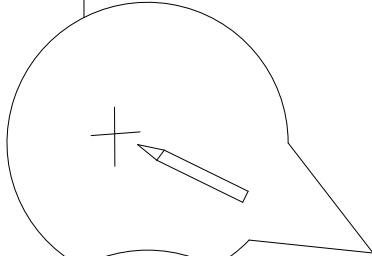
STEP 36

⚠ ATTENTION

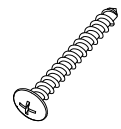
- This product is equipped with one types of the expansion screws, please use the correct accessories according to the wall constructions.
- Check for hidden pipes and cables in the wall before drilling.



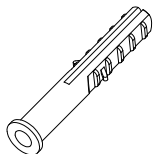
For solid or concrete wall



ST4*45mm



L1



L2

Ⓛ X2