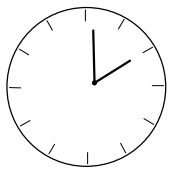
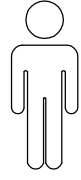


A warning icon (a triangle with an exclamation mark) is positioned above a rounded rectangular box. Inside the box, on the left, is a circular inset containing a screwdriver and a wrench. To the right of this inset is a power drill.

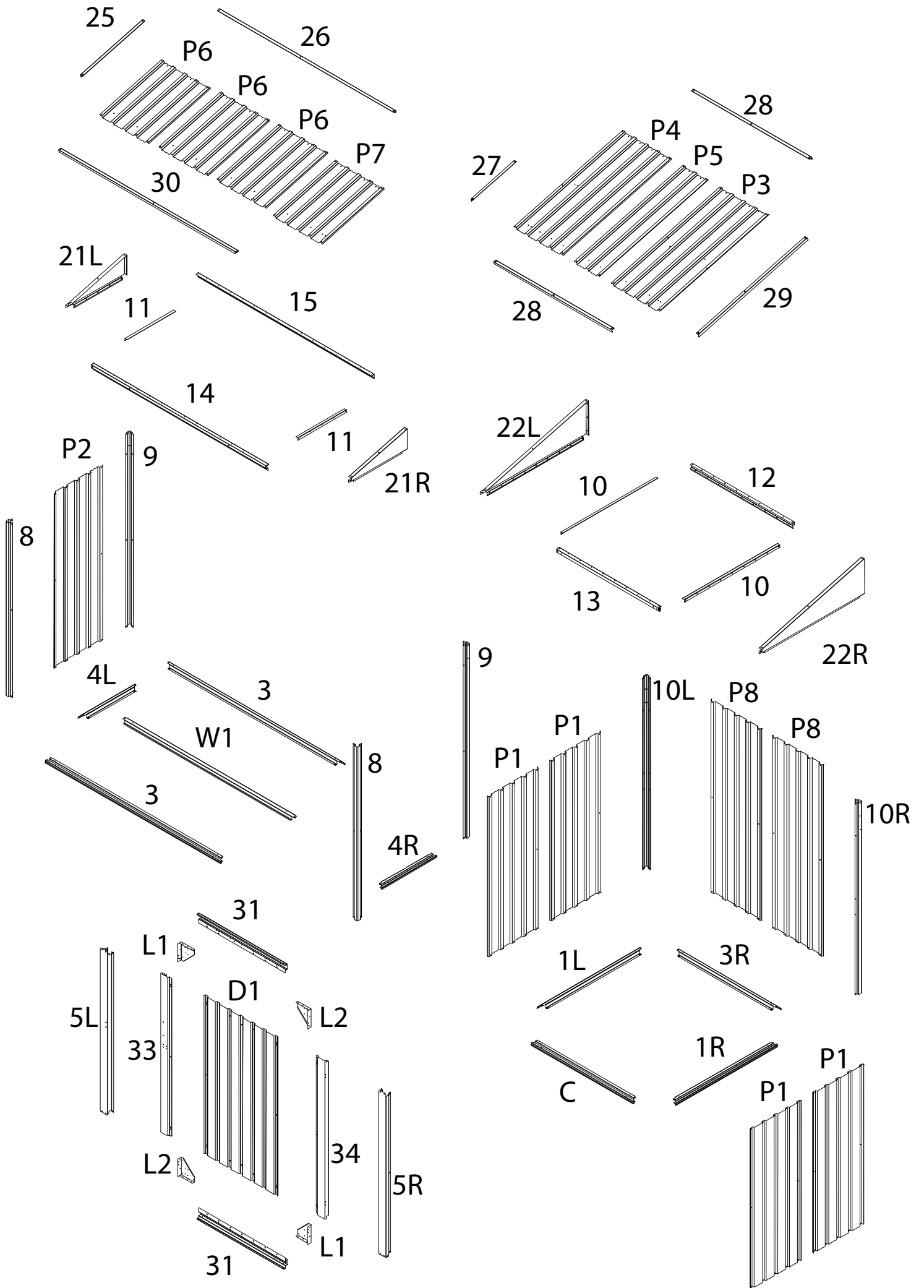


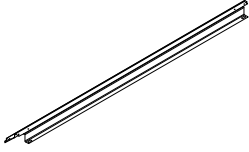
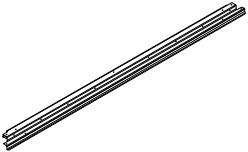
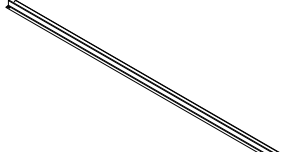
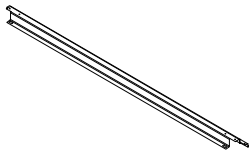

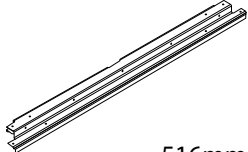
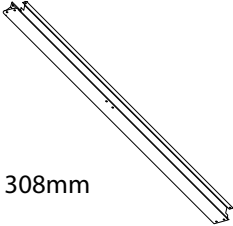
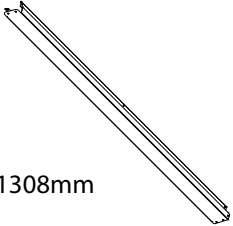
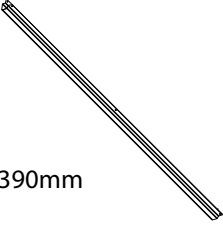
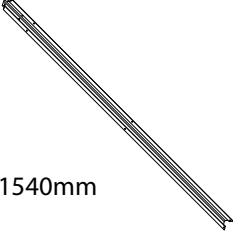
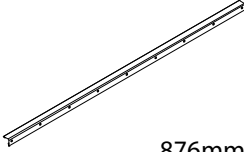

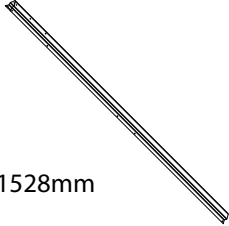
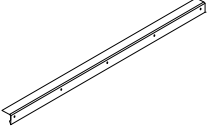
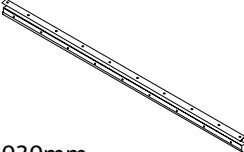
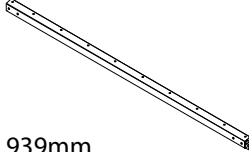
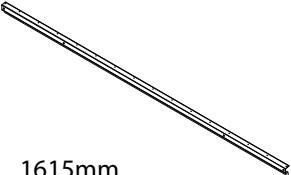
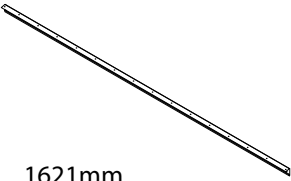
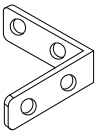
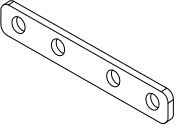
360'

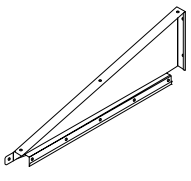
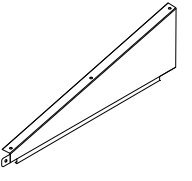
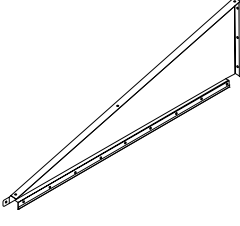
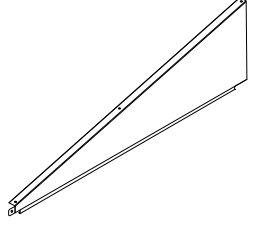
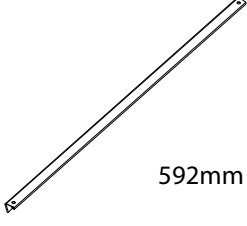
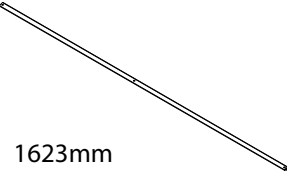
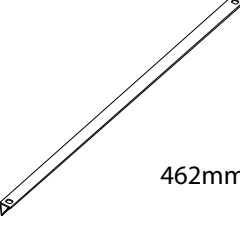
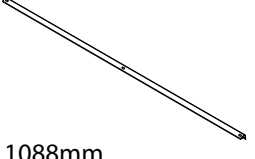
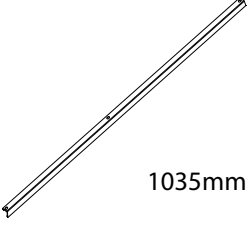
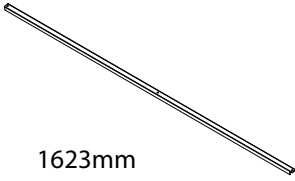
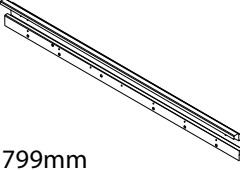
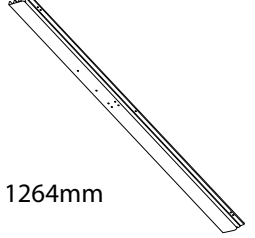
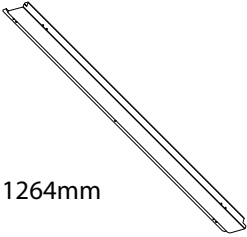

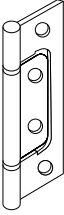
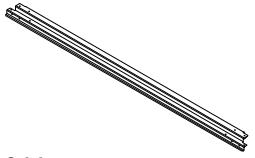
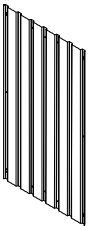
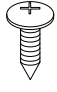
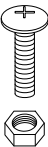
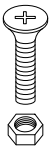
A warning icon (a triangle with an exclamation mark) is positioned above a rounded rectangular box. Inside the box, from left to right, are a spirit level, a tape measure, and a pair of work gloves.



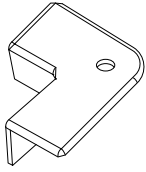
3



<p>1L</p>  <p>944mm</p> <p>x 1</p>	<p>1R</p>  <p>944mm</p> <p>x 1</p>	<p>3</p>  <p>1620mm</p> <p>x 2</p>	<p>3R</p>  <p>944mm</p> <p>x 1</p>
<p>4L</p>  <p>516mm</p> <p>x 1</p>	<p>4R</p>  <p>516mm</p> <p>x 1</p>	<p>5L</p>  <p>1308mm</p> <p>x 1</p>	<p>5R</p>  <p>1308mm</p> <p>x 1</p>
<p>8</p>  <p>1390mm</p> <p>x 2</p>	<p>9</p>  <p>1540mm</p> <p>x 2</p>	<p>10</p>  <p>876mm</p> <p>x 2</p>	<p>10L</p>  <p>1528mm</p> <p>x 1</p>
<p>10R</p>  <p>1528mm</p> <p>x 1</p>	<p>11</p>  <p>448mm</p> <p>x 2</p>	<p>12</p>  <p>939mm</p> <p>x 1</p>	<p>13</p>  <p>939mm</p> <p>x 1</p>
<p>14</p>  <p>1615mm</p> <p>x 1</p>	<p>15</p>  <p>1621mm</p> <p>x 1</p>	<p>19</p>  <p>x 1</p>	<p>20</p>  <p>x 1</p>

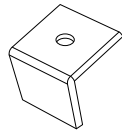
<p>21L</p>  <p>x 1</p>	<p>21R</p>  <p>x 1</p>	<p>22L</p>  <p>x 1</p>	<p>22R</p>  <p>x 1</p>
<p>25</p>  <p>592mm</p> <p>x 1</p>	<p>26</p>  <p>1623mm</p> <p>x 1</p>	<p>27</p>  <p>462mm</p> <p>x 1</p>	<p>28</p>  <p>1088mm</p> <p>x 2</p>
<p>29</p>  <p>1035mm</p> <p>x 1</p>	<p>30</p>  <p>1623mm</p> <p>x 1</p>	<p>31</p>  <p>799mm</p> <p>x 2</p>	<p>33</p>  <p>1264mm</p> <p>x 1</p>
<p>34</p>  <p>1264mm</p> <p>x 1</p>	<p>B5</p>  <p>x 1</p>	<p>B6</p>  <p>x 2</p>	<p>C</p>  <p>944mm</p> <p>x 1</p>
<p>D1</p>  <p>x 1</p>	<p>F1</p>  <p>ST4.2 x 10</p> <p>x 210</p>	<p>F2</p>  <p>M4 x 10</p> <p>x 23</p>	<p>F3</p>  <p>M4 x 12</p> <p>x 8</p>

GA



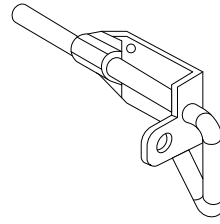
x 1

GC



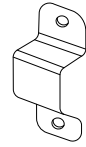
x 5

H1



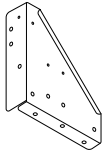
x 1

J5



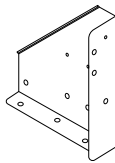
x 1

L1



x 2

L2



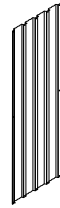
x 2

P1



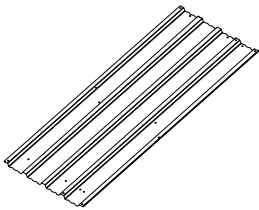
x 4

P2



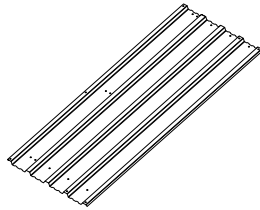
x 1

P3



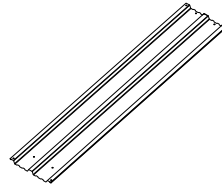
x 1

P4



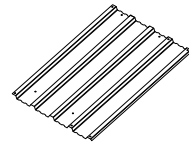
x 1

P5



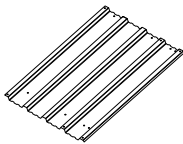
x 1

P6



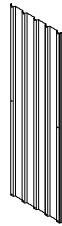
x 3

P7



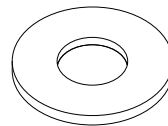
x 1

P8



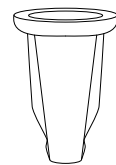
x 2

S3



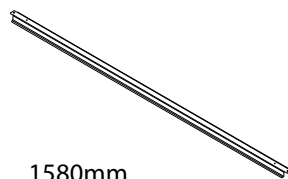
x 148

S4



x 125

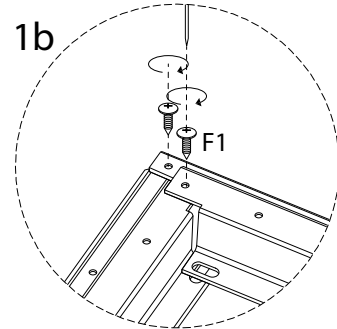
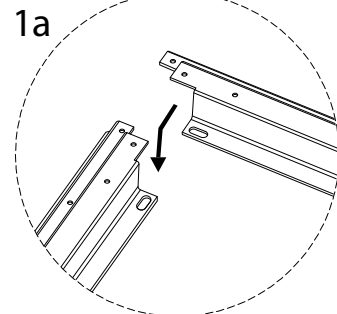
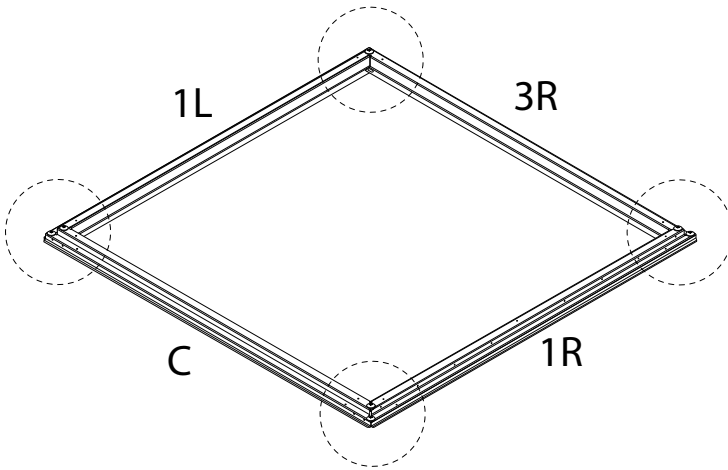
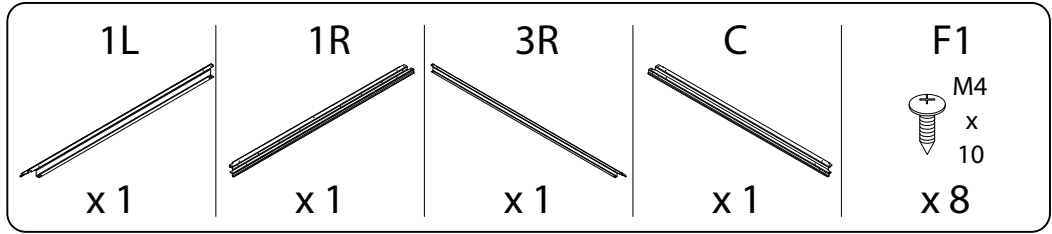
W1



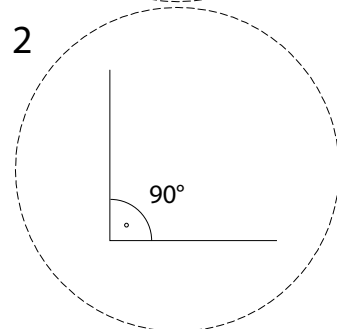
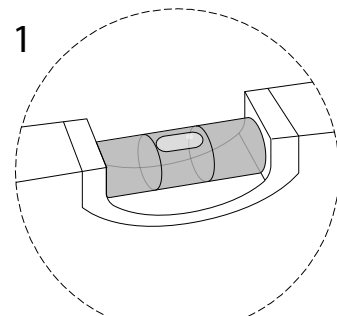
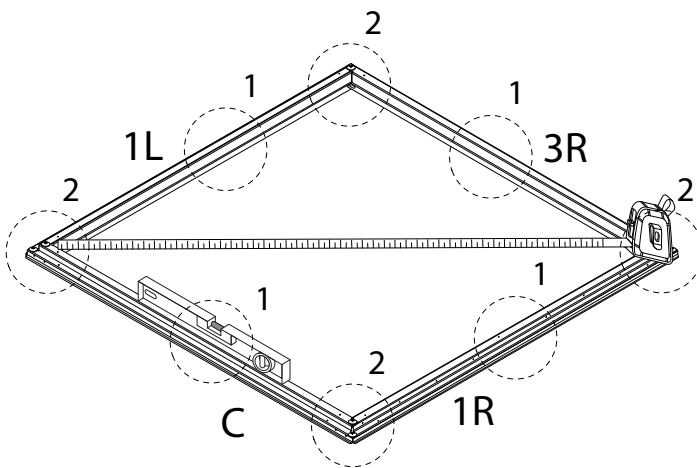
1580mm

x 1





1

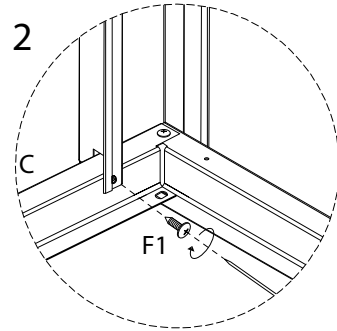
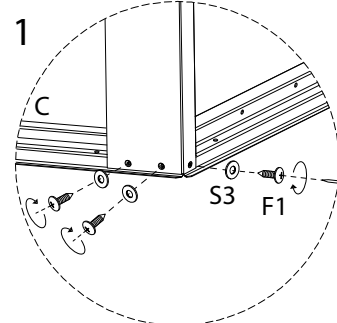
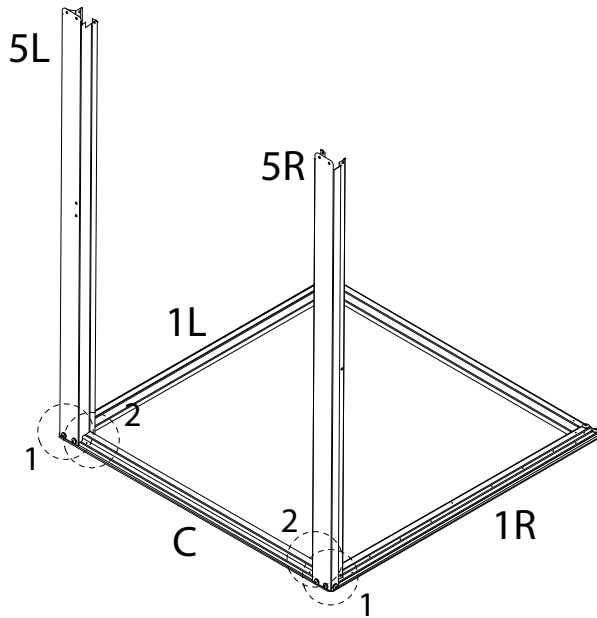


2







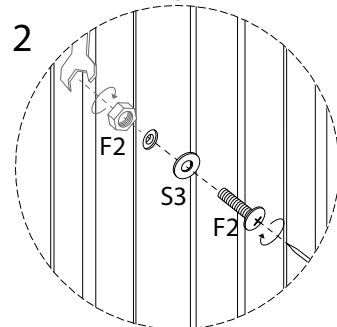
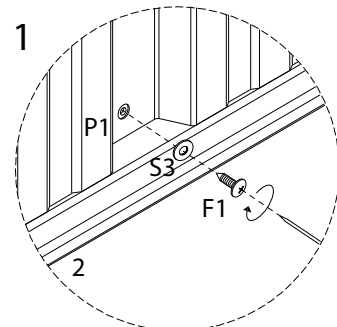
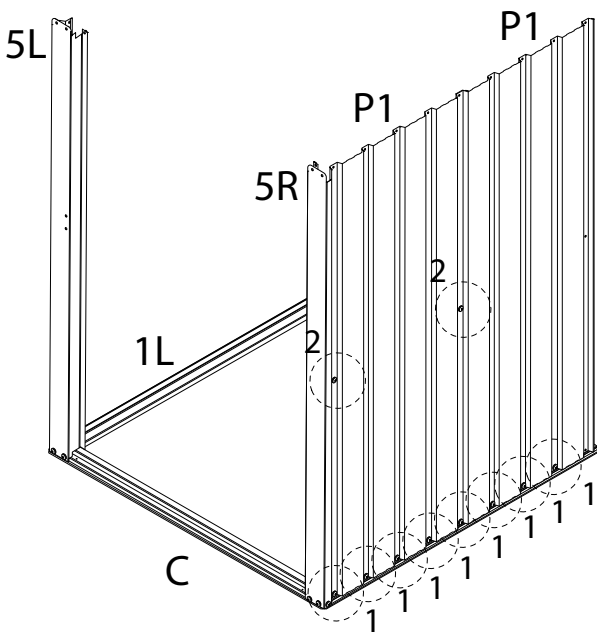
3

<p>5L</p>  <p>x 1</p>	<p>5R</p>  <p>x 1</p>	<p>F1</p>  <p>ST4.2 x 10</p> <p>x 8</p>	<p>S3</p>  <p>x 6</p>
--	--	---	--


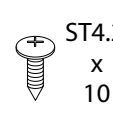
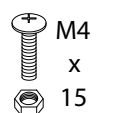
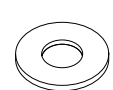
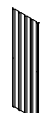


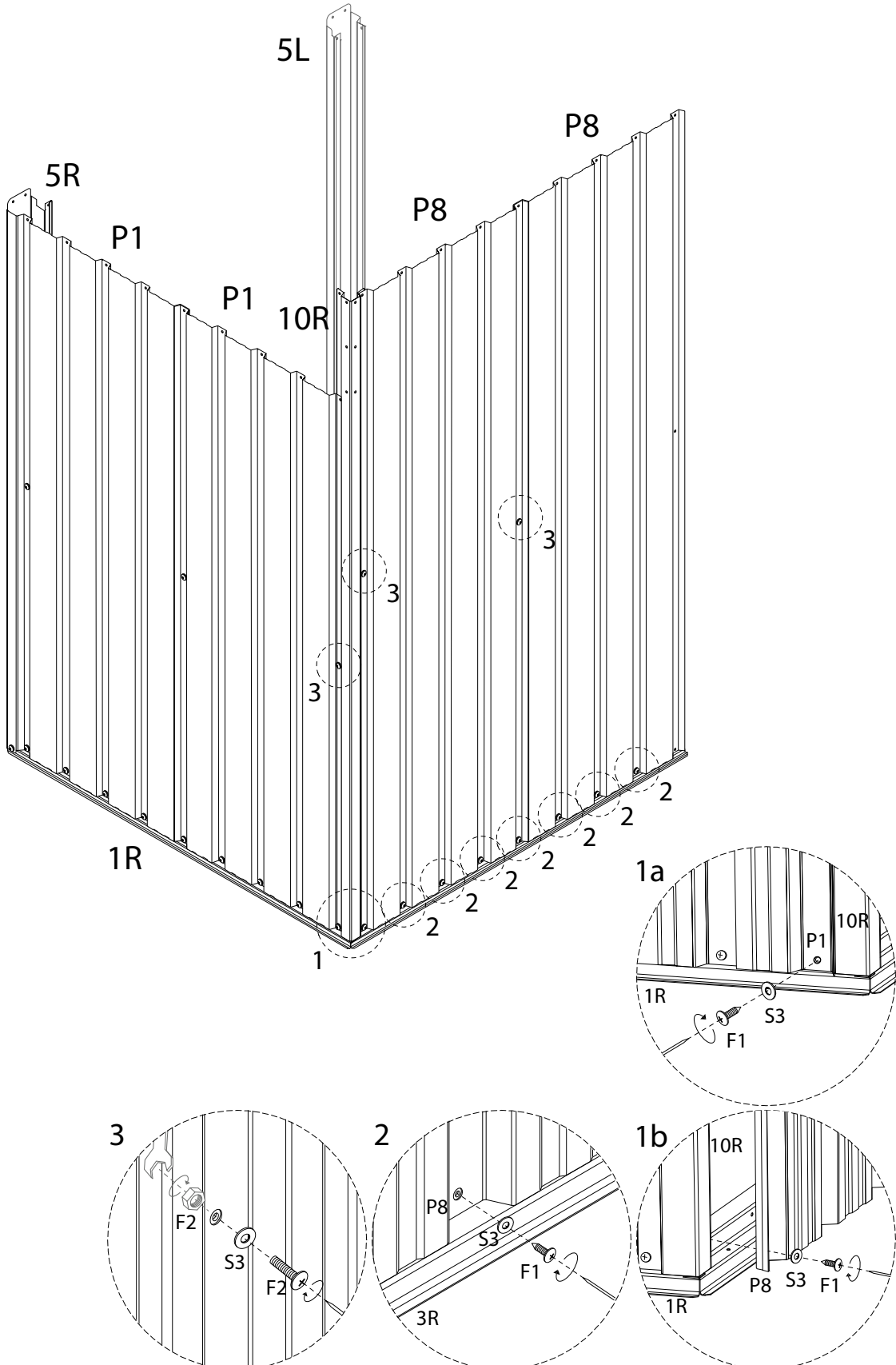
4

<p>F1</p>  <p>ST4.2 x 10</p> <p>x 8</p>	<p>F2</p>  <p>M4 x 15</p> <p>x 2</p>	<p>P1</p>  <p>x 2</p>	<p>S3</p>  <p>x 10</p>
--	---	--	---



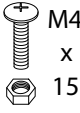
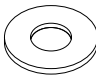
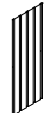


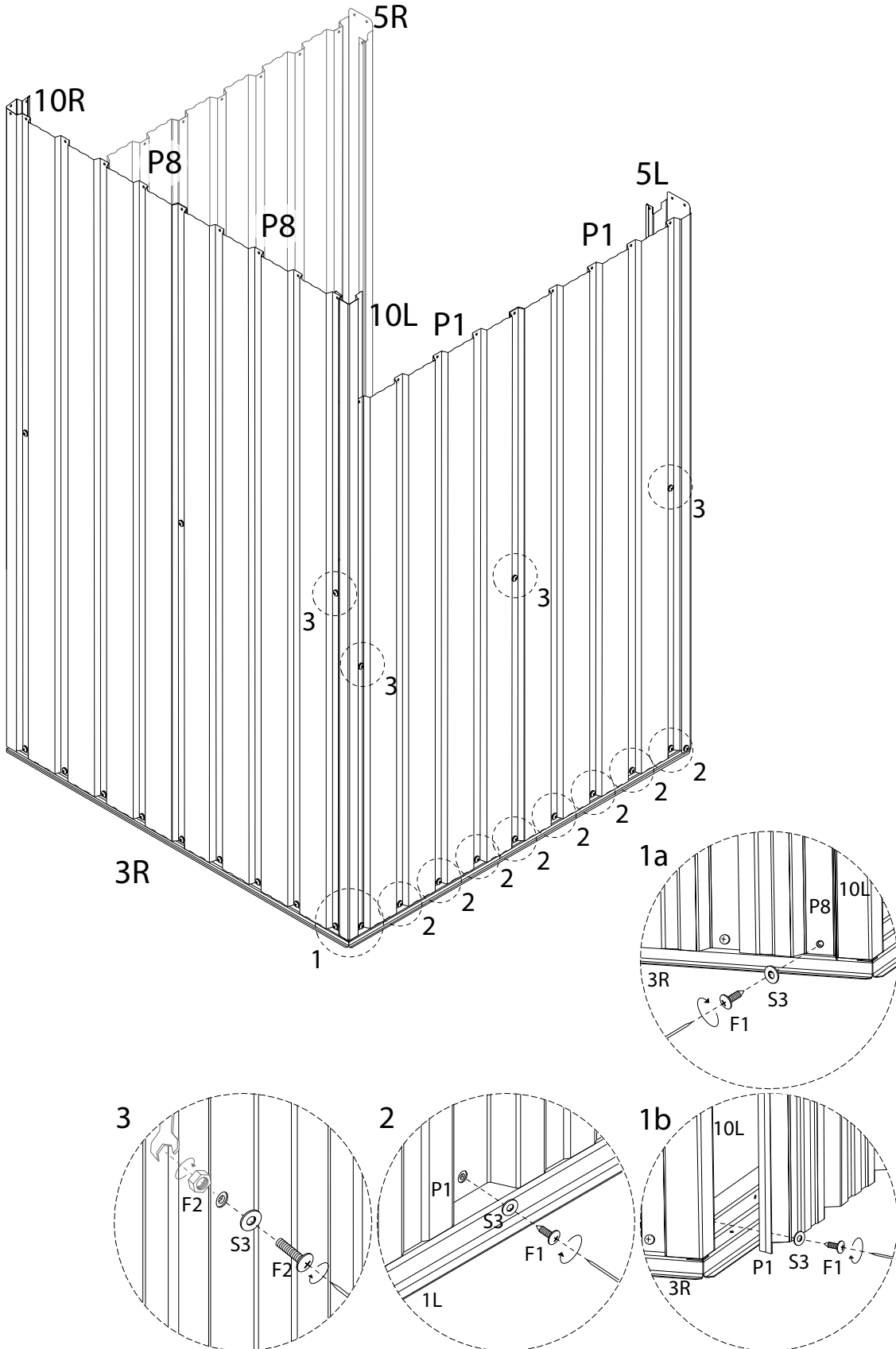
5

<p>10R</p>  <p>x 1</p>	<p>F1</p>  <p>x 9</p>	<p>F2</p>  <p>x 3</p>	<p>S3</p>  <p>x 12</p>	<p>P8</p>  <p>x 2</p>
---	--	--	---	--

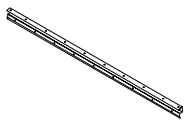

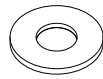


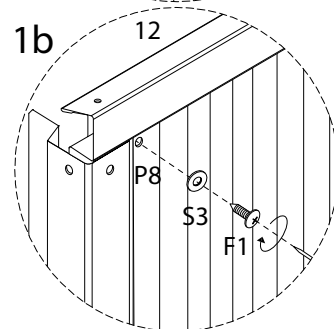
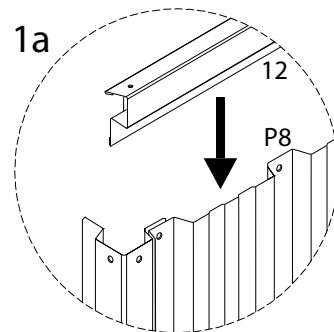
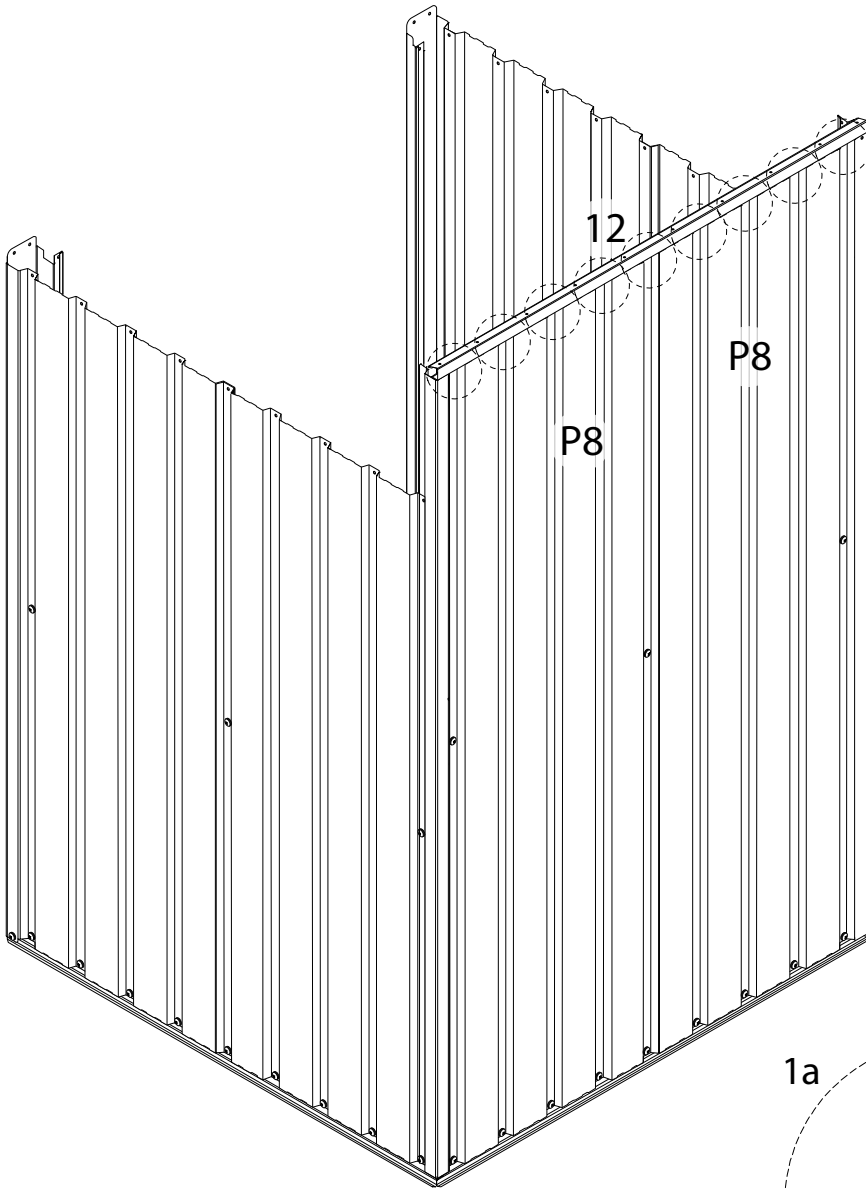
6

 10L x 1	 F1 ST4.2 x 10 x 10	 F2 M4 x 15 x 4	 S3 x 14	 P1 x 2
---	--	--	---	--

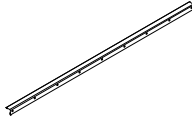



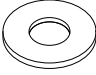


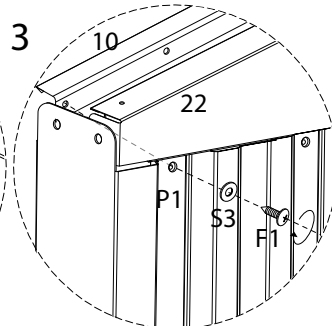
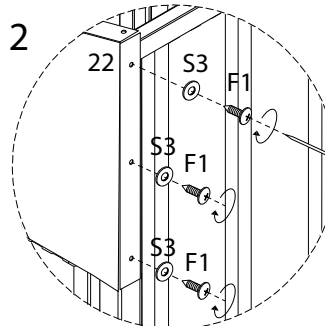
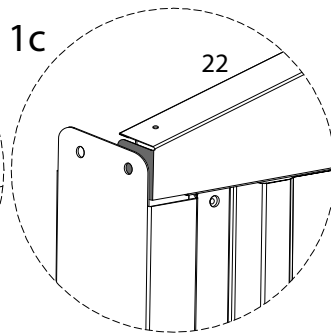
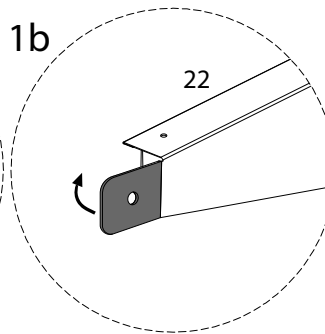
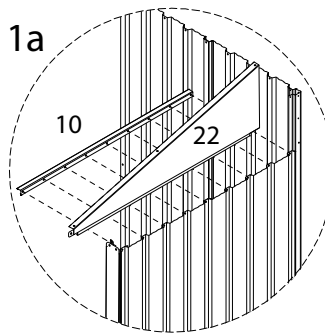
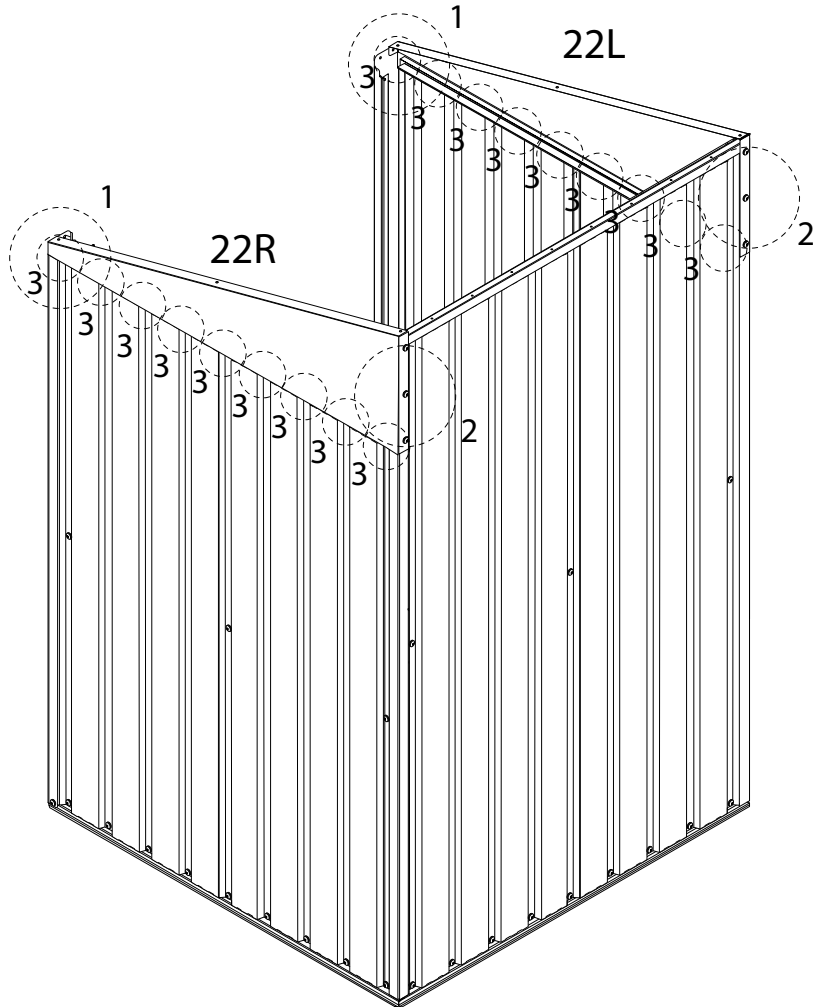
7

<p>12</p>  <p>x1</p>	<p>F1</p>  <p>ST4.2 x 10</p> <p>x9</p>	<p>S3</p>  <p>x9</p>
---	---	---

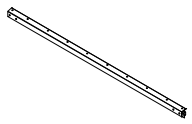

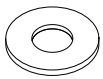


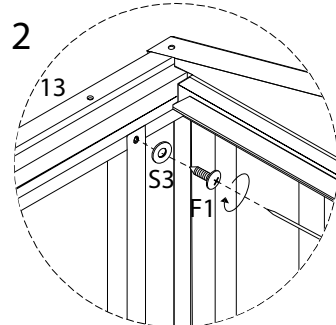
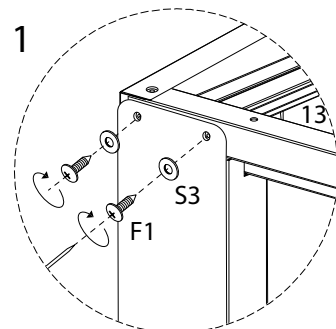
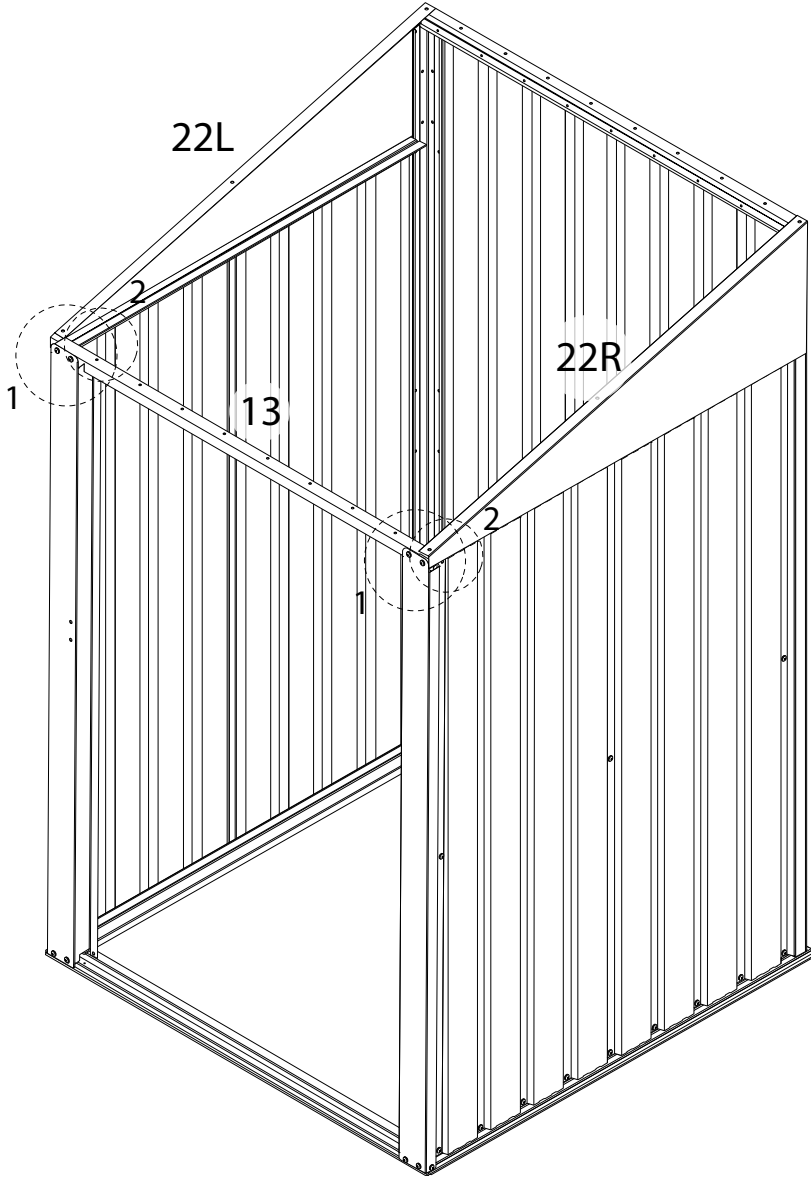
8

10  x 2	22L  x 1	22R  x 1	F1  ST4.2 x 10 x 24	S3  x 24
--	---	---	---	---

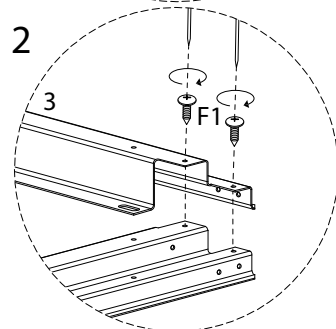
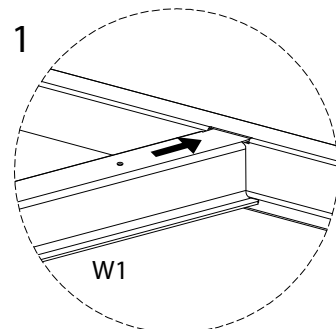
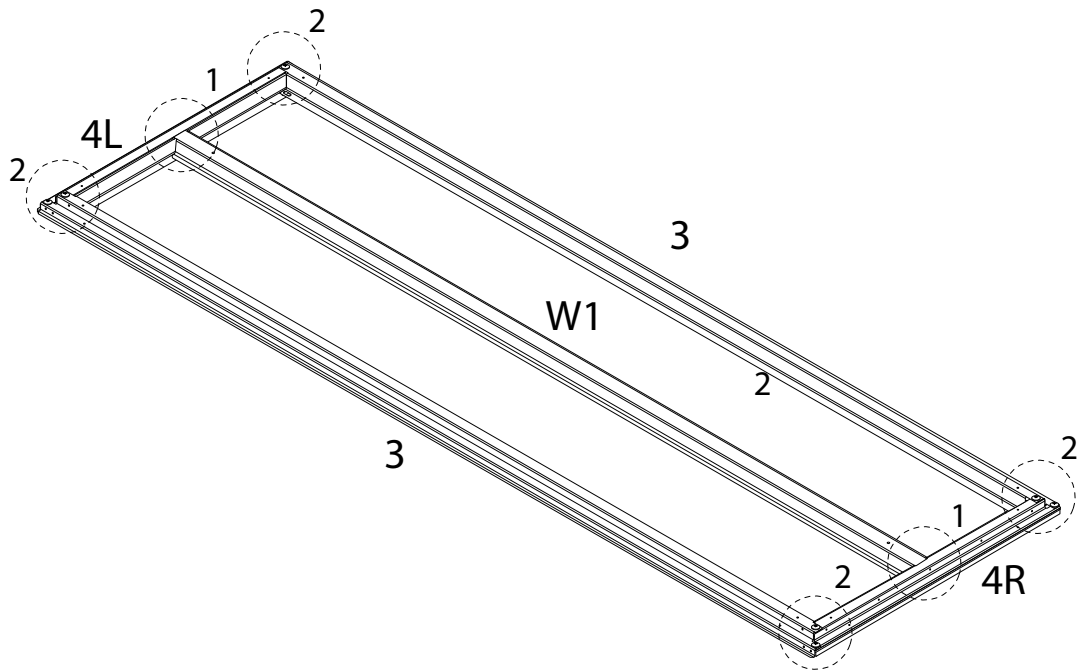
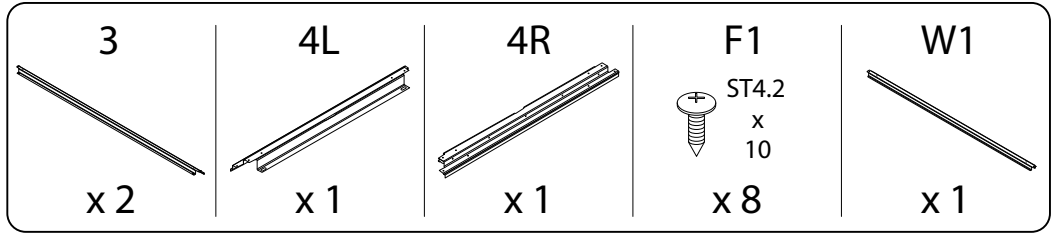


9




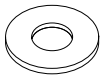
<p>13</p>  <p>x1</p>	<p>F1</p>  <p>ST4.2 x 10</p> <p>x6</p>	<p>S3</p>  <p>x6</p>
---	---	---

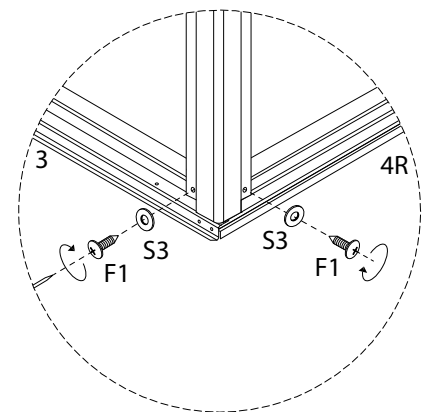
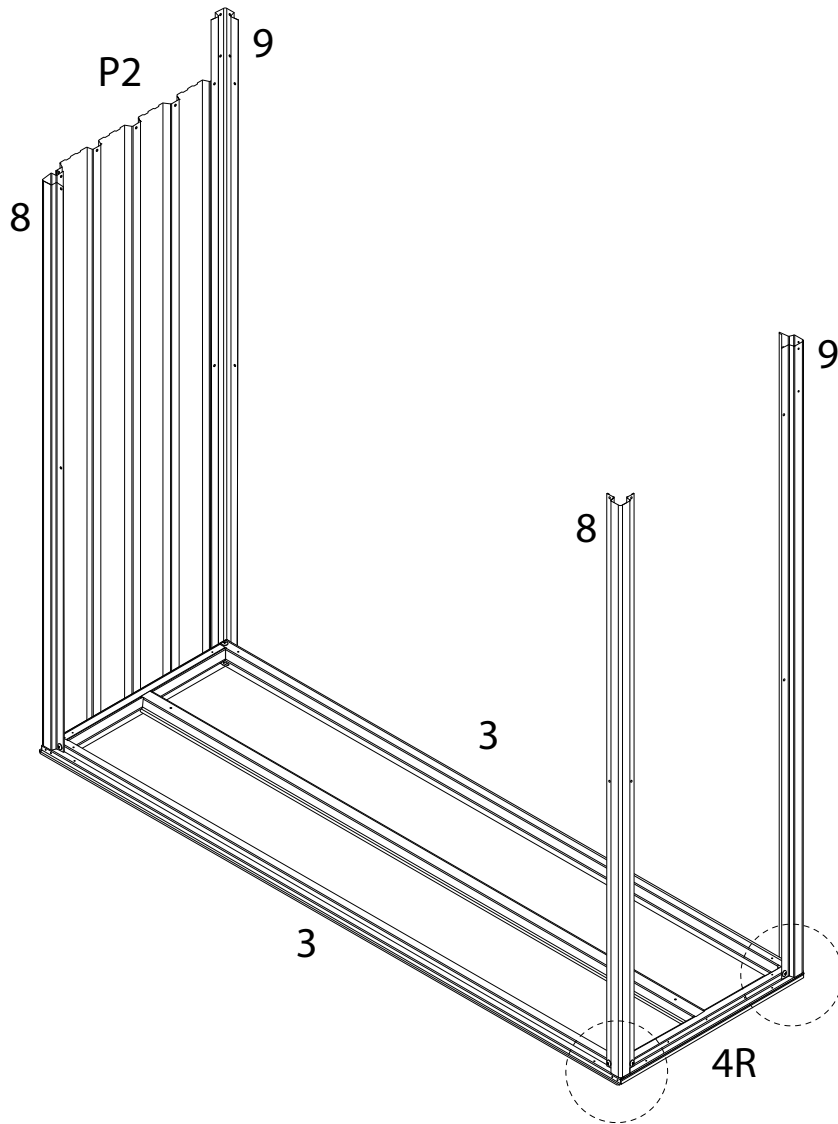


10

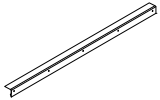

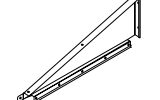
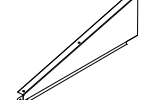
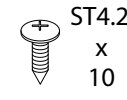
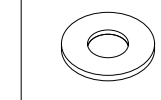


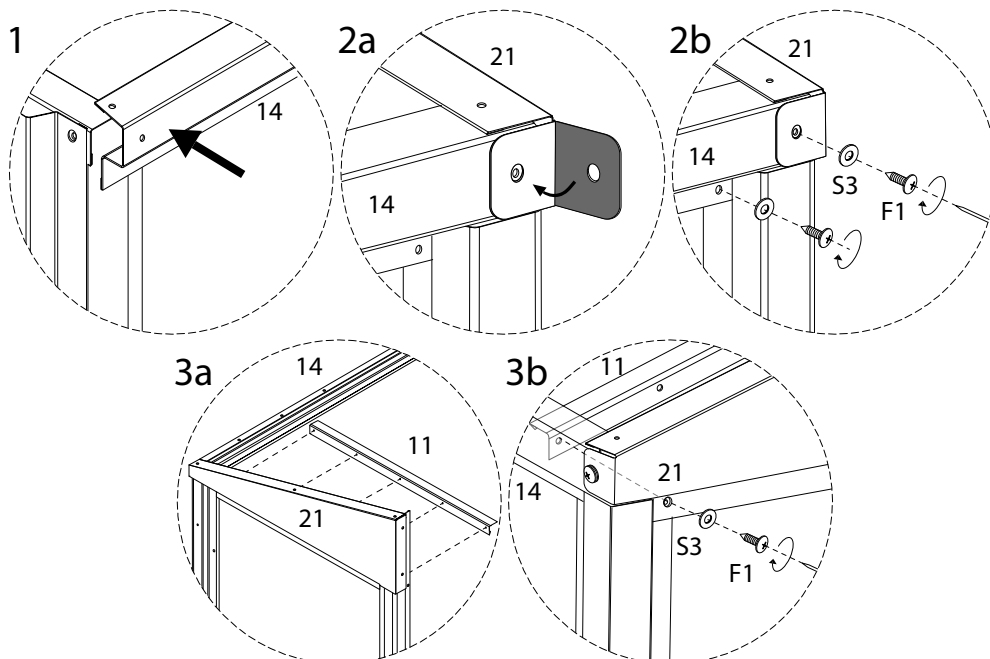
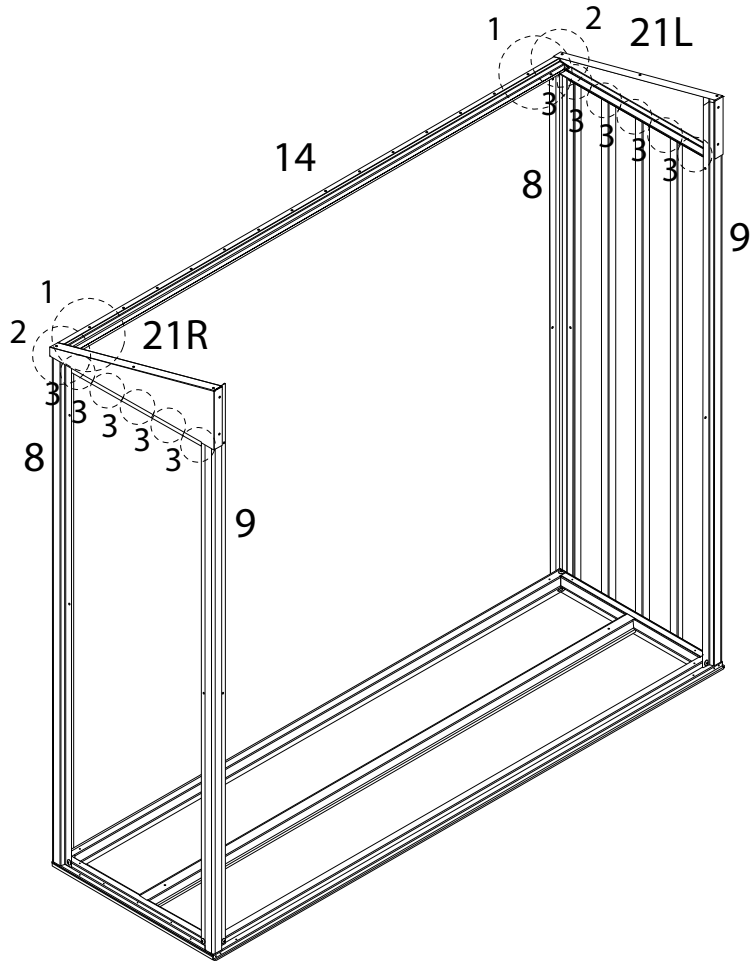
12

<p>8</p>  <p>x 1</p>	<p>9</p>  <p>x 1</p>	<p>F1</p>  <p>ST4.2 x 10</p> <p>x 4</p>	<p>S3</p>  <p>x 4</p>
---	---	---	--

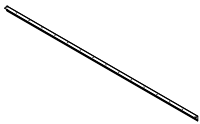

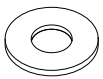


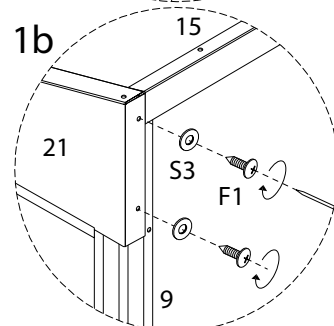
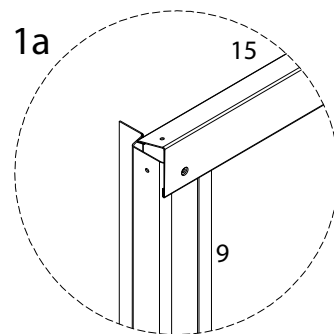
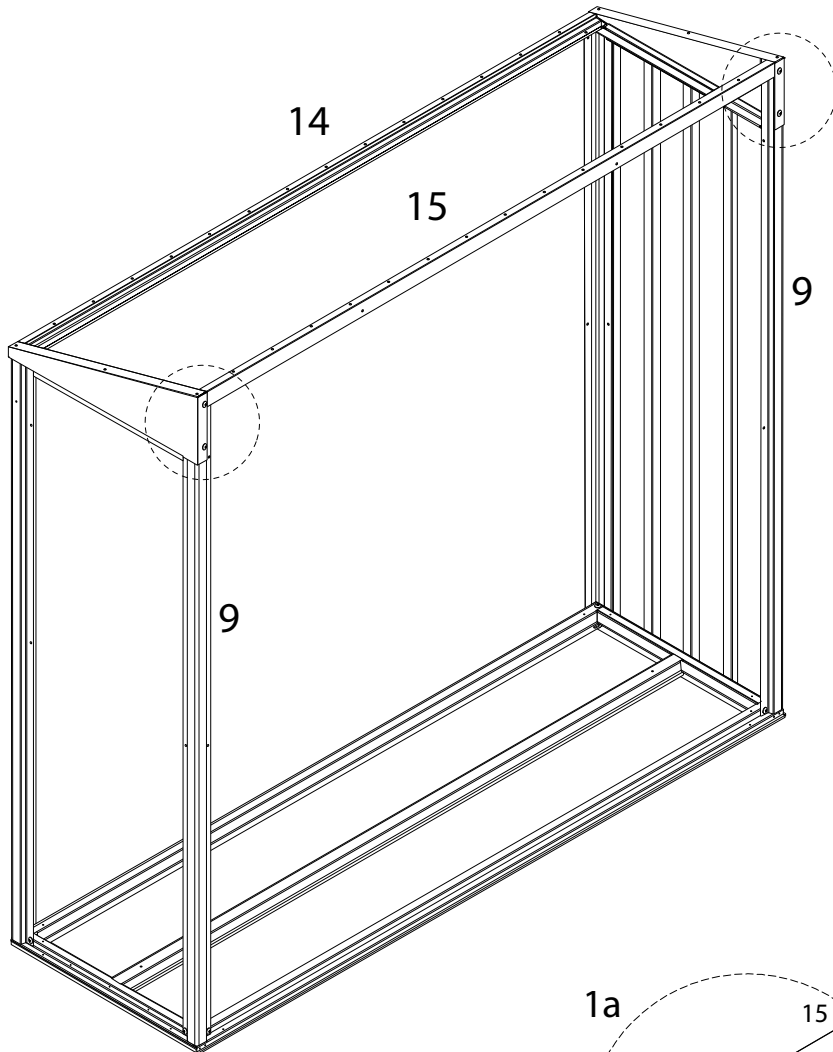
13

11  x 2	14  x 1	21L  x 1	21R  x 1	F1  ST4.2 x 10 x 14	S3  x 14
--	--	---	--	--	---



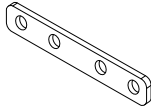
14

<p>15</p>  <p>x1</p>	<p>F1</p>  <p>ST4.2 x 10</p> <p>x4</p>	<p>S3</p>  <p>x4</p>
---	---	---



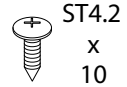
15

20



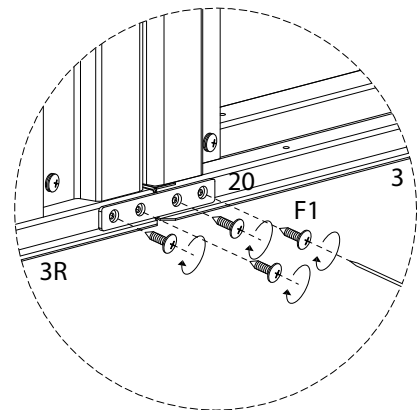
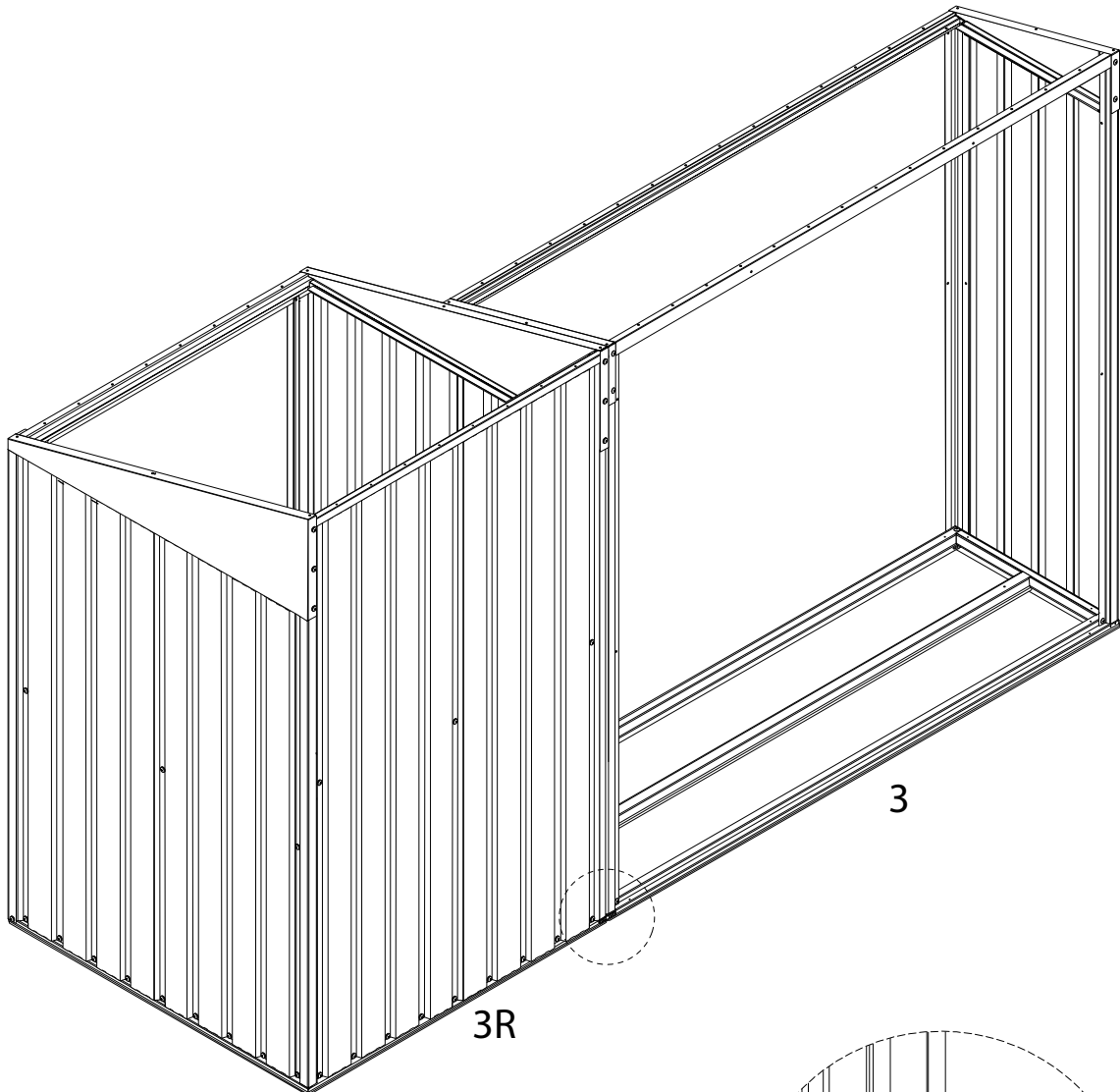
x 1

F1



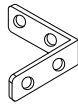
ST4.2
x
10

x 4



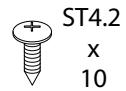
16

19



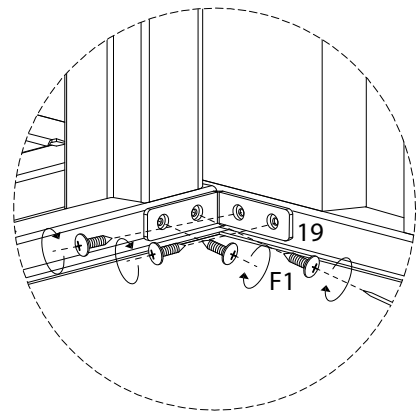
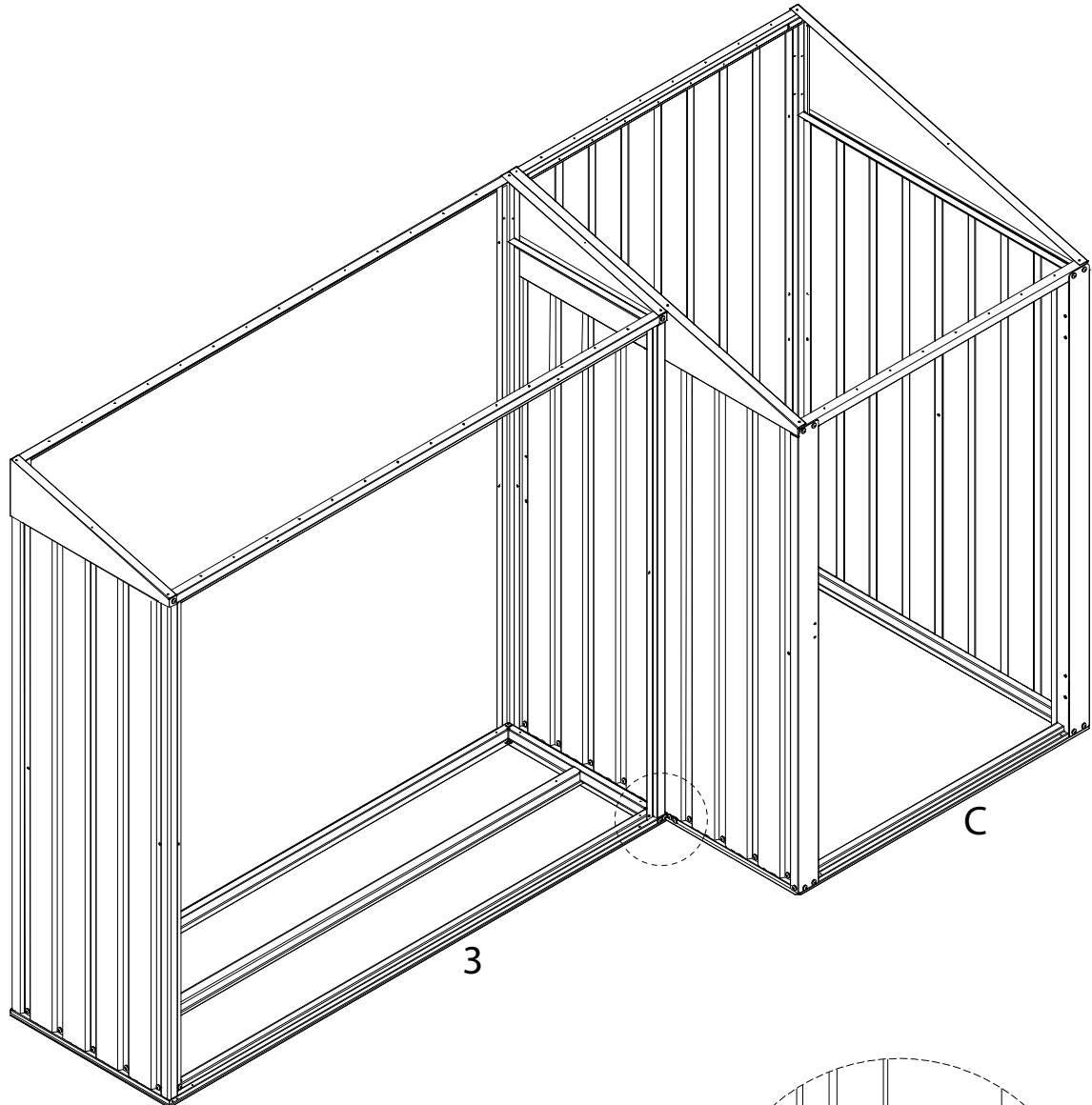
x 1

F1


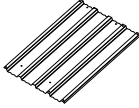
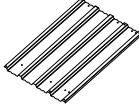
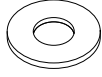


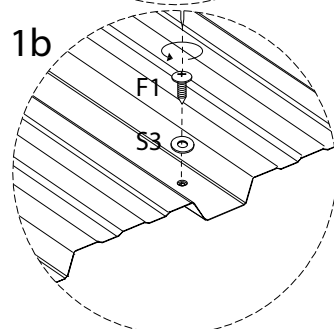
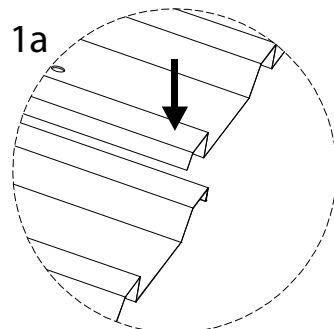
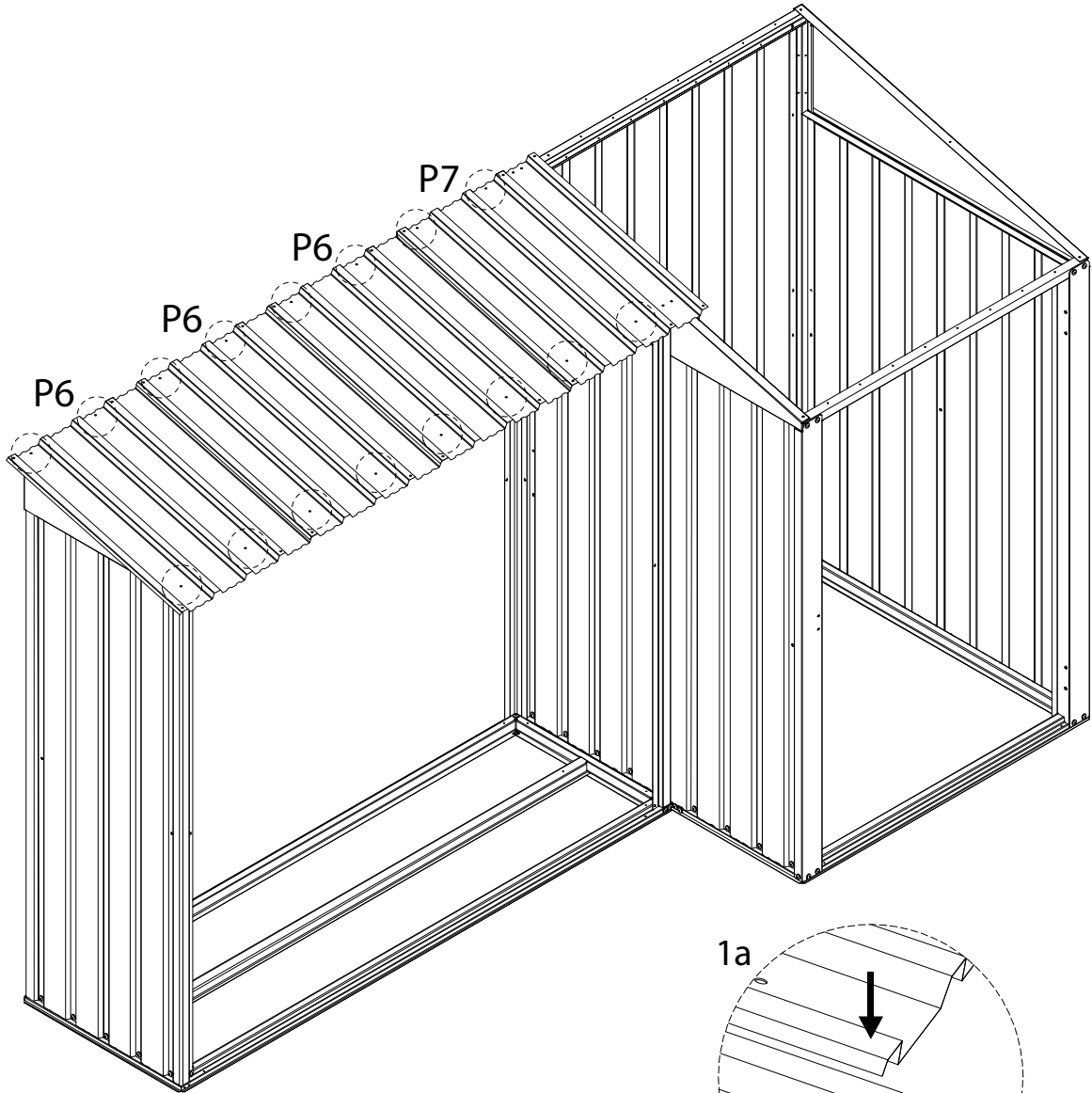
ST4.2
x
10

x 4





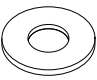


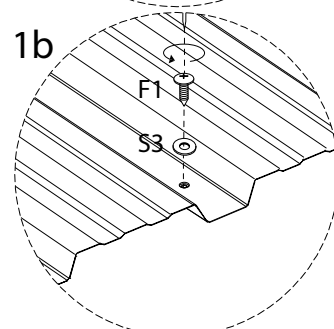
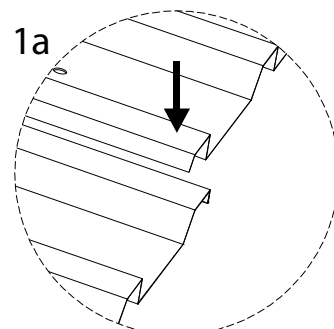
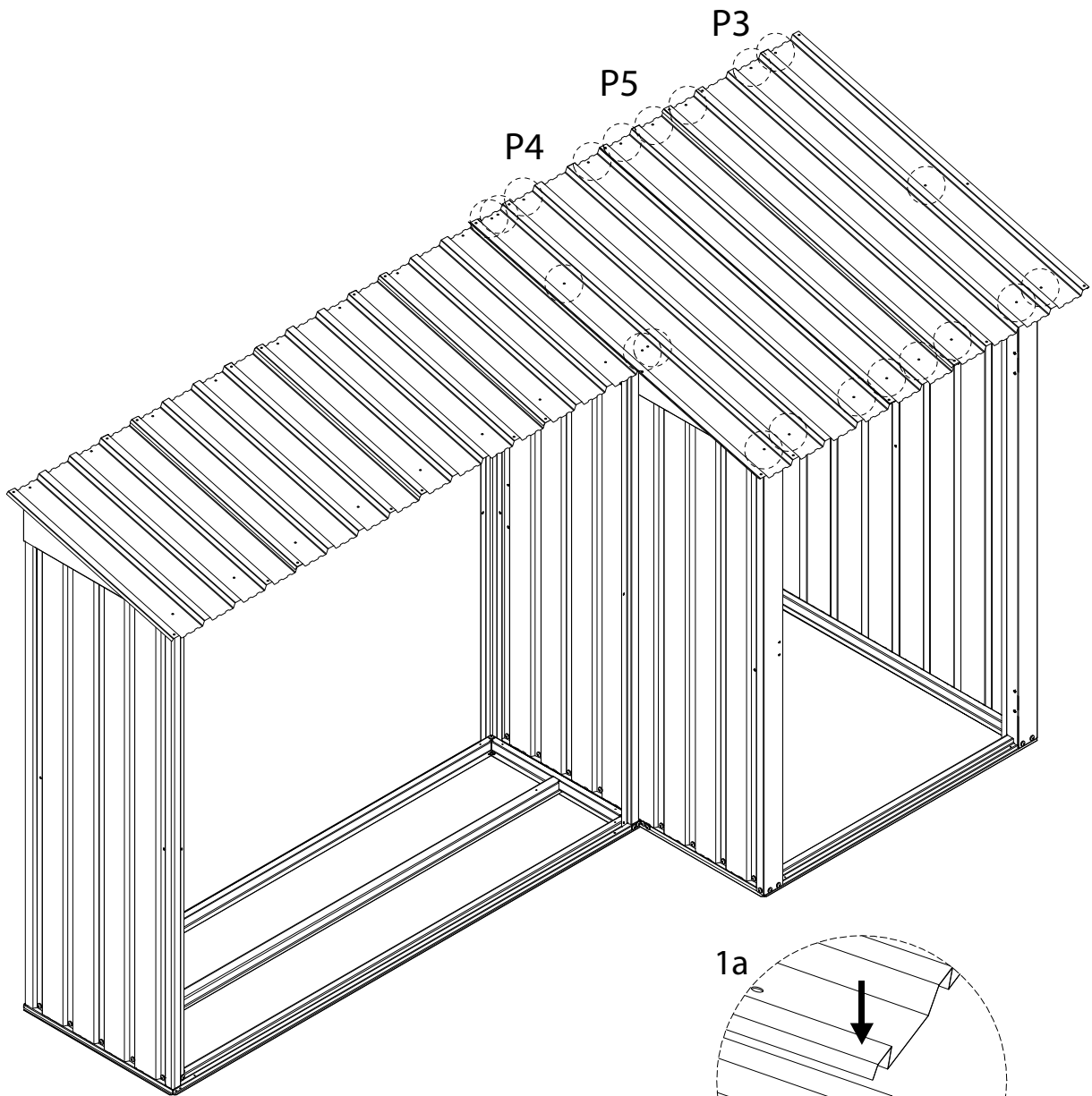
17

<p>F1</p>  <p>ST4.2 x 10</p> <p>x 16</p>	<p>P6</p>  <p>x 3</p>	<p>P7</p>  <p>x 1</p>	<p>S3</p>  <p>x 16</p>
---	--	---	---


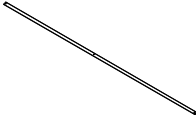

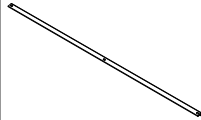

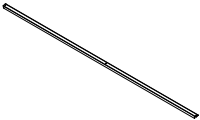

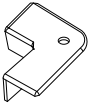
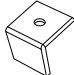
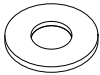


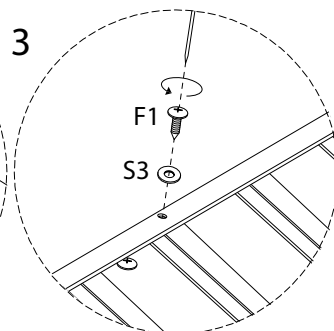
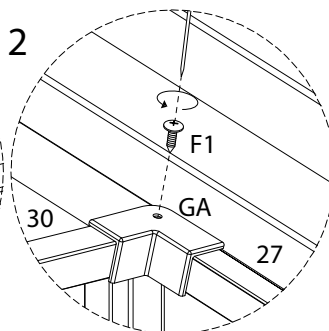
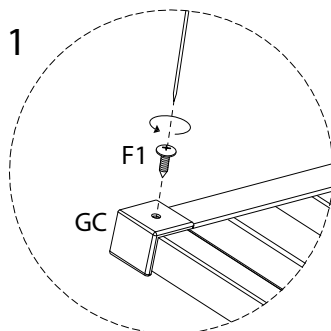
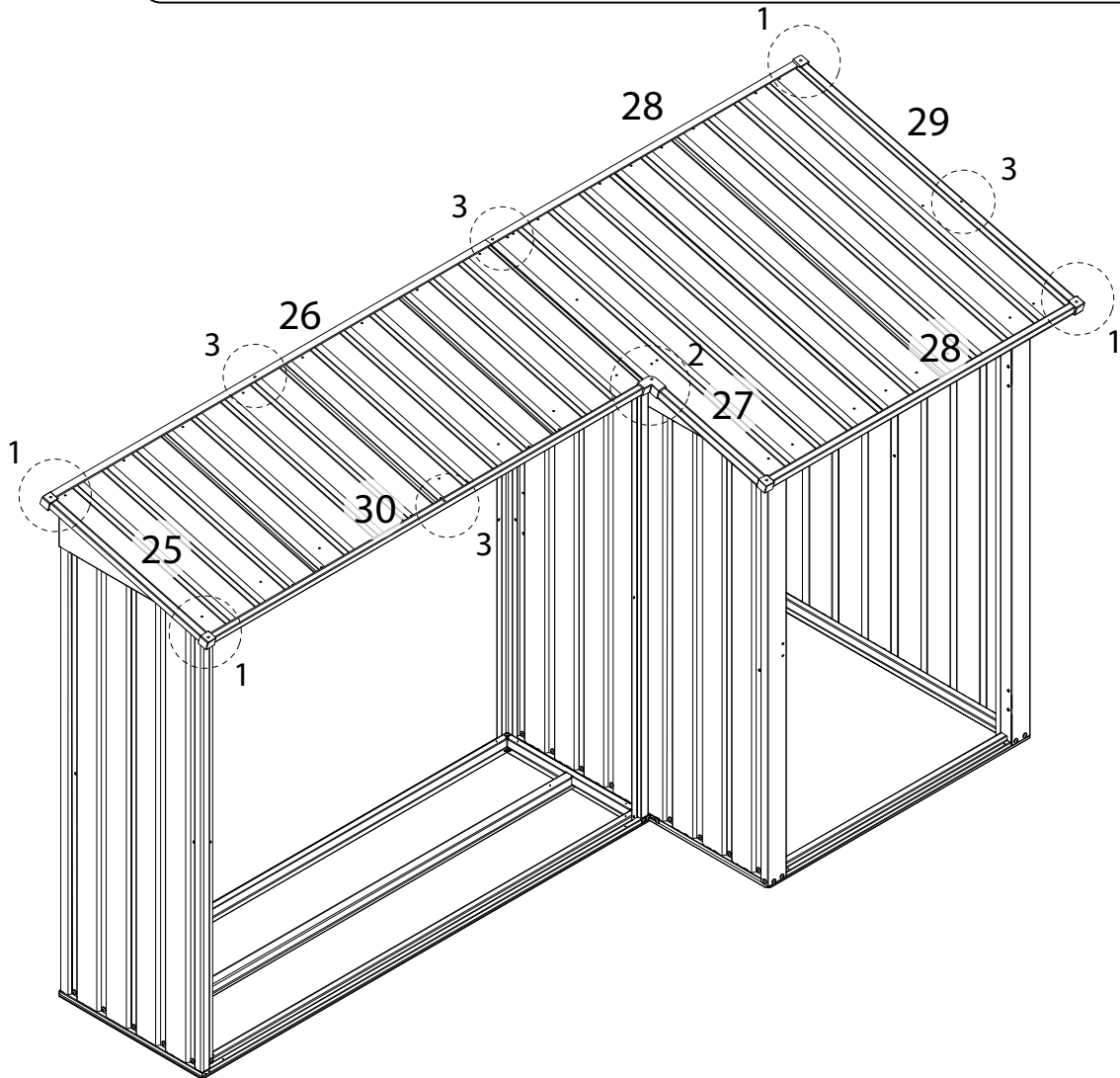
18

F1  ST4.2 x 10 x 21	P3  x 1	P4  x 1	P5  x 1	S3  x 21
--	--	--	--	---



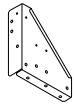
19

25  x 1	26  x 1	27  x 1	28  x 2	29  x 1
30  x 1	F1  ST4.2 x 10	GA  x 1	GC  x 5	S3  x 4



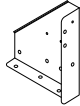
20 x 2

L1



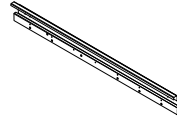
x 1

L2



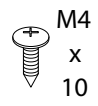
x 1

31

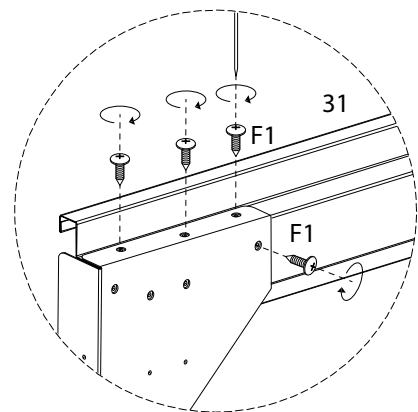
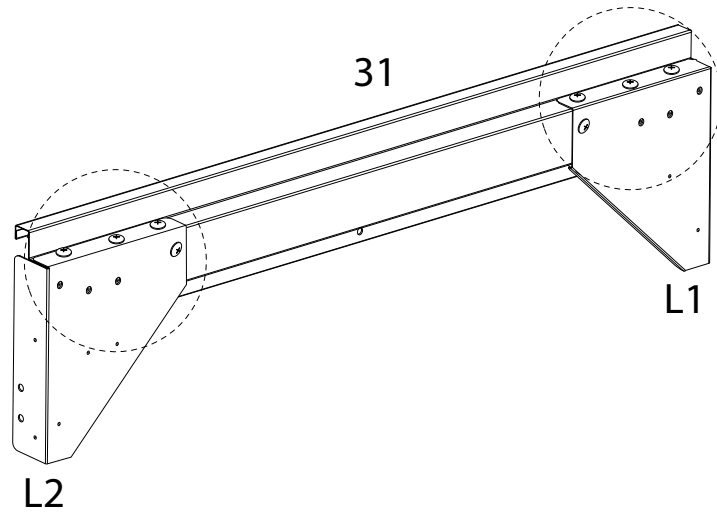


x 1


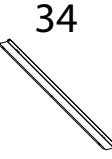



F1

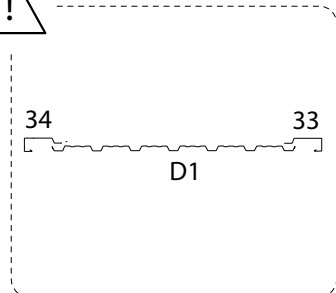
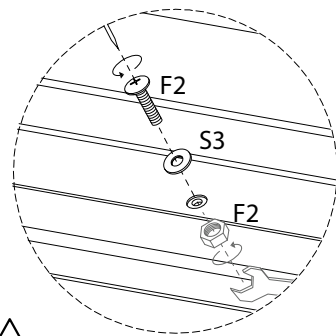
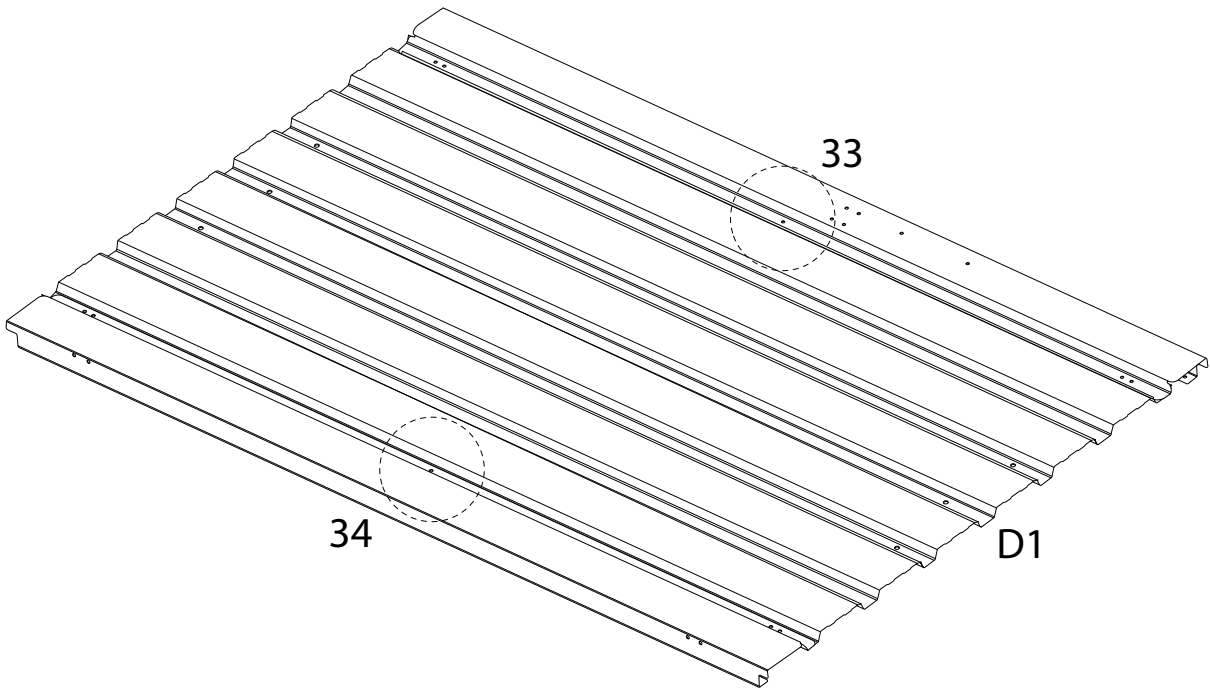


M4
x
10
x 8



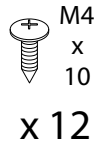
21

 <p>33 x 1</p>	 <p>34 x 1</p>	 <p>D1 x 1</p>	 <p>F2 M4 x 15 x 2</p>	 <p>S3 x 2</p>
---	---	---	---	---

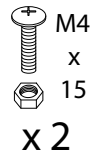


22

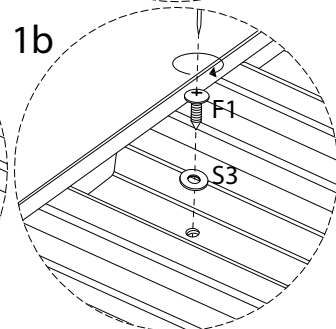
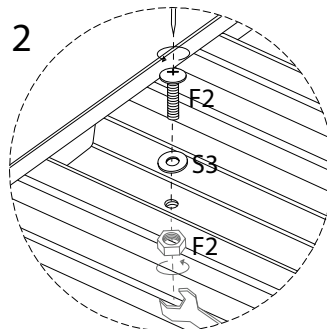
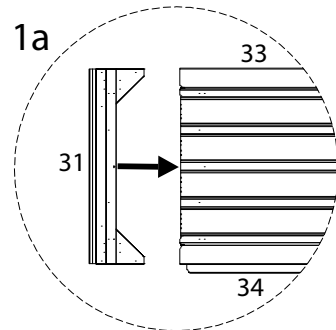
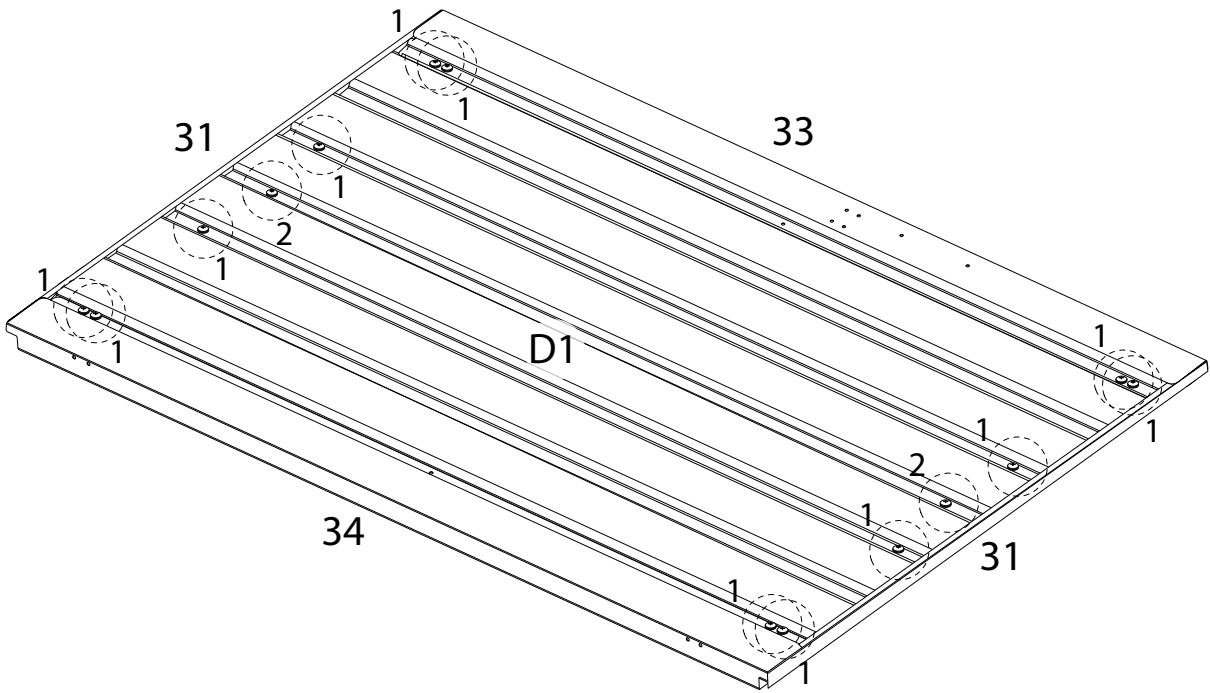
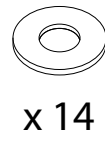
F1



F2

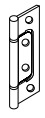


S3



23

B6



x 2

F1

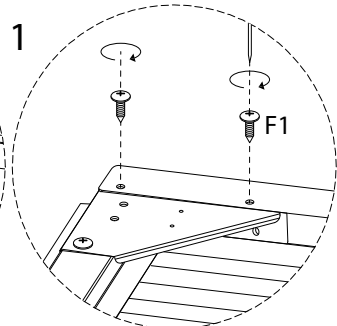
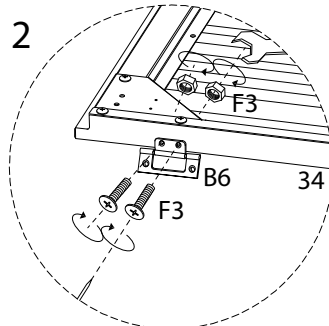
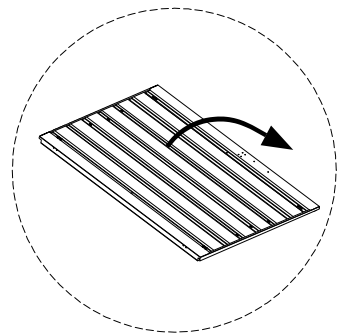
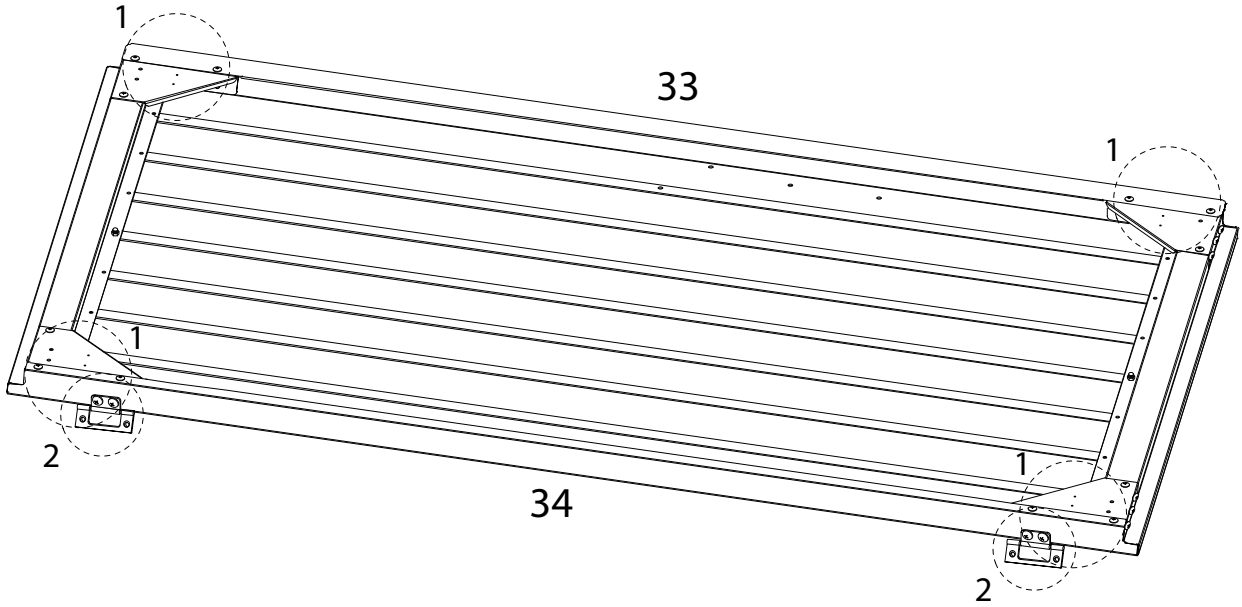


x 8

F3



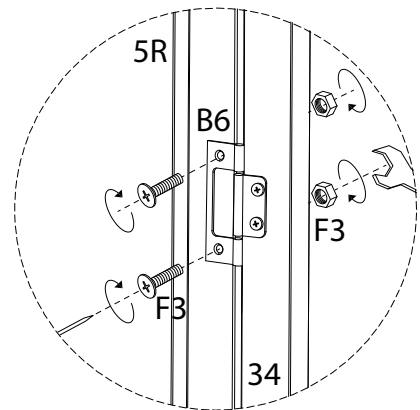
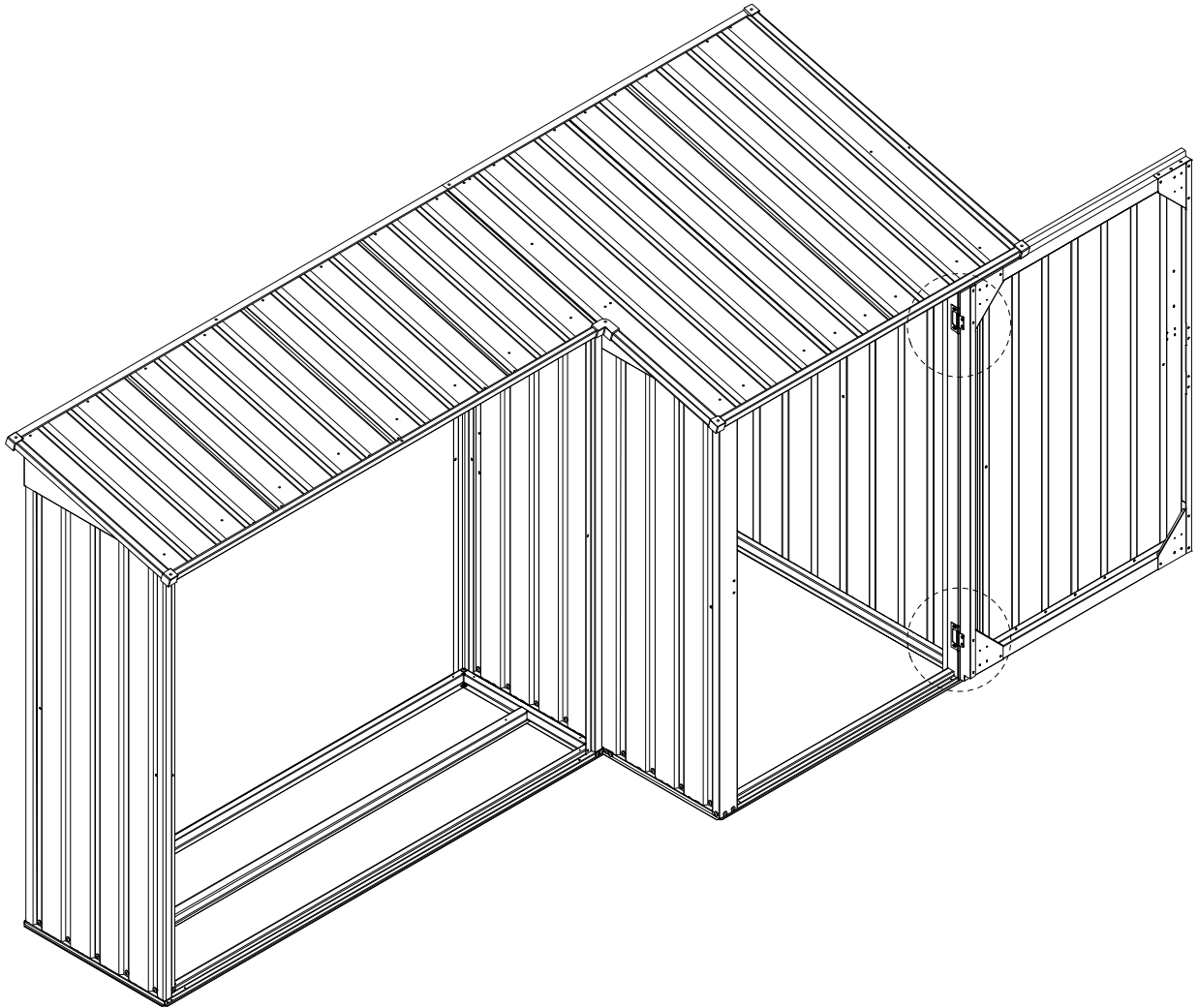
x 4



24

F3

M4
x
12
x 4



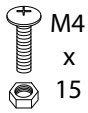
25

B5



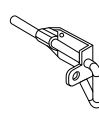
x 1

F2



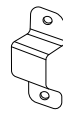
x 8

H1

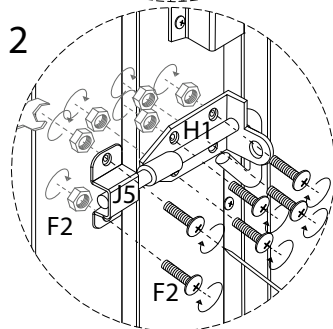
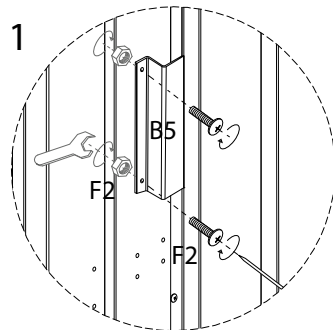
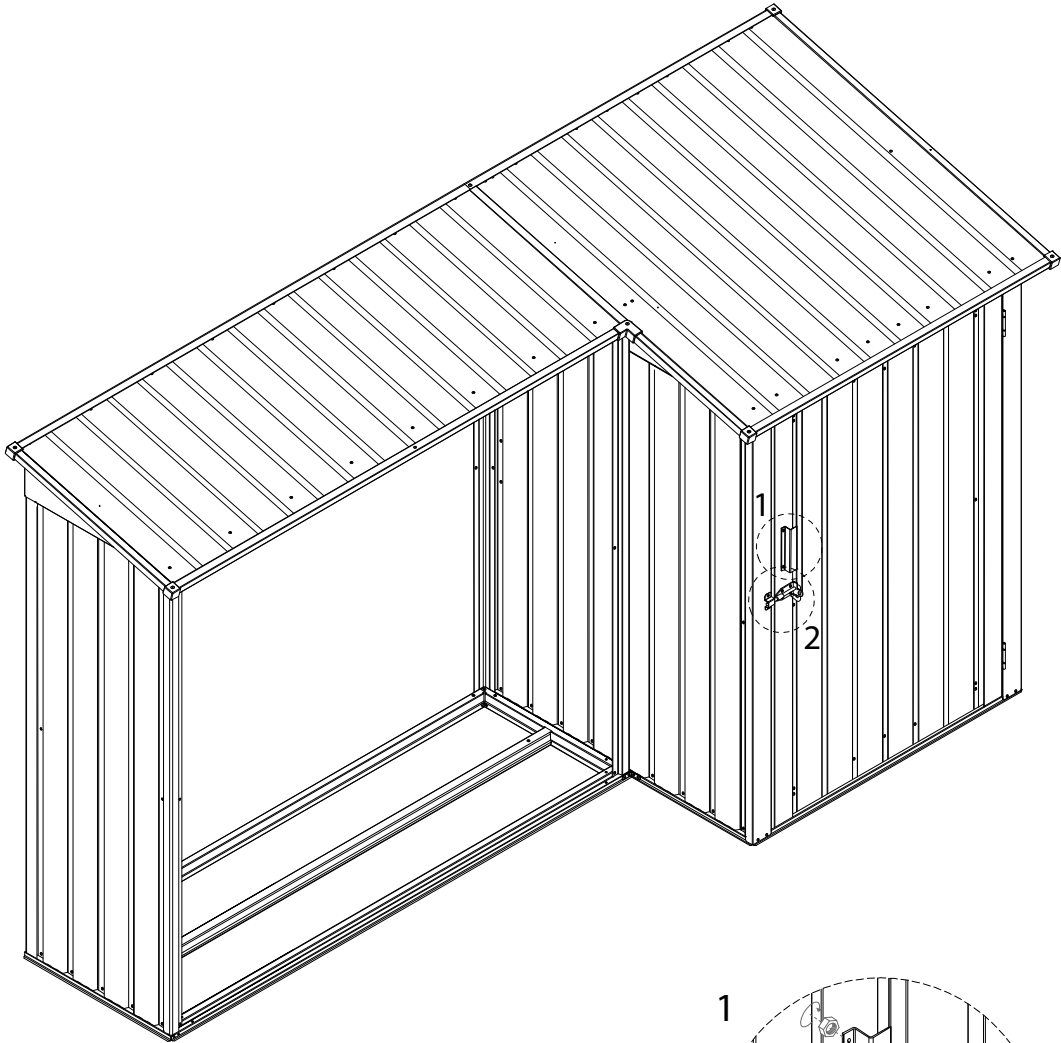


x 1

J5



x 1

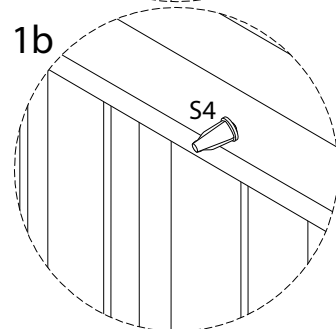
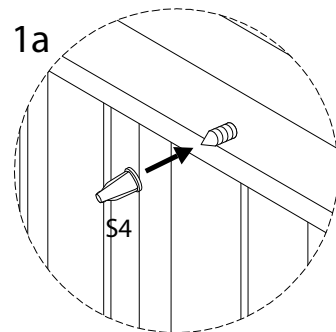
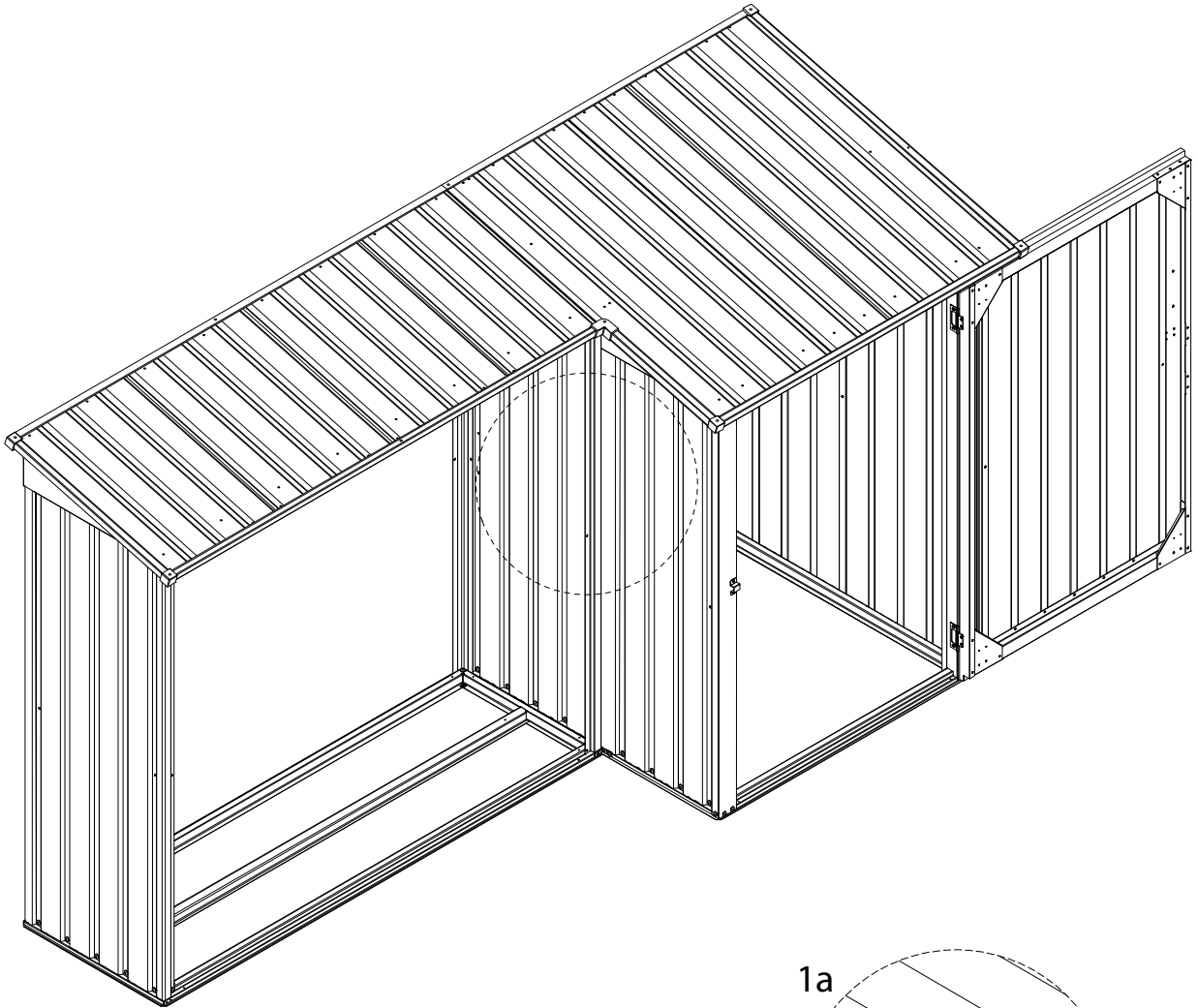


26

S4



x 125



!

