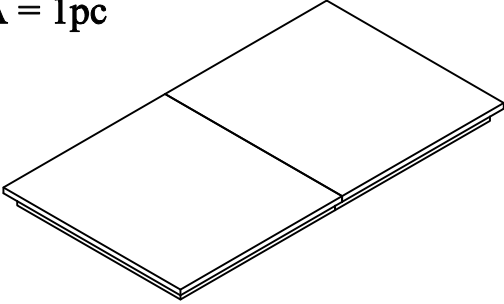
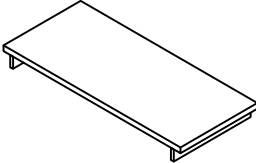
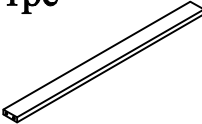

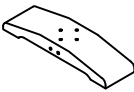
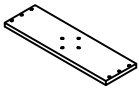



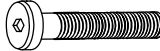





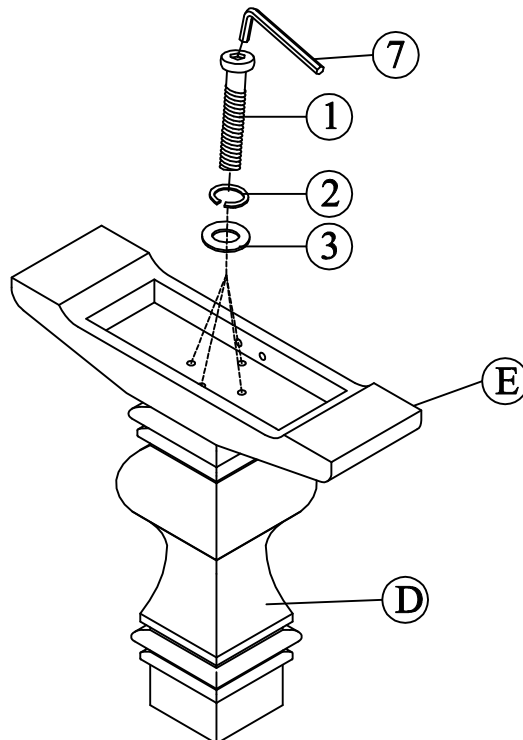
ASSEMBLY INSTRUCTION

DINING TABLE

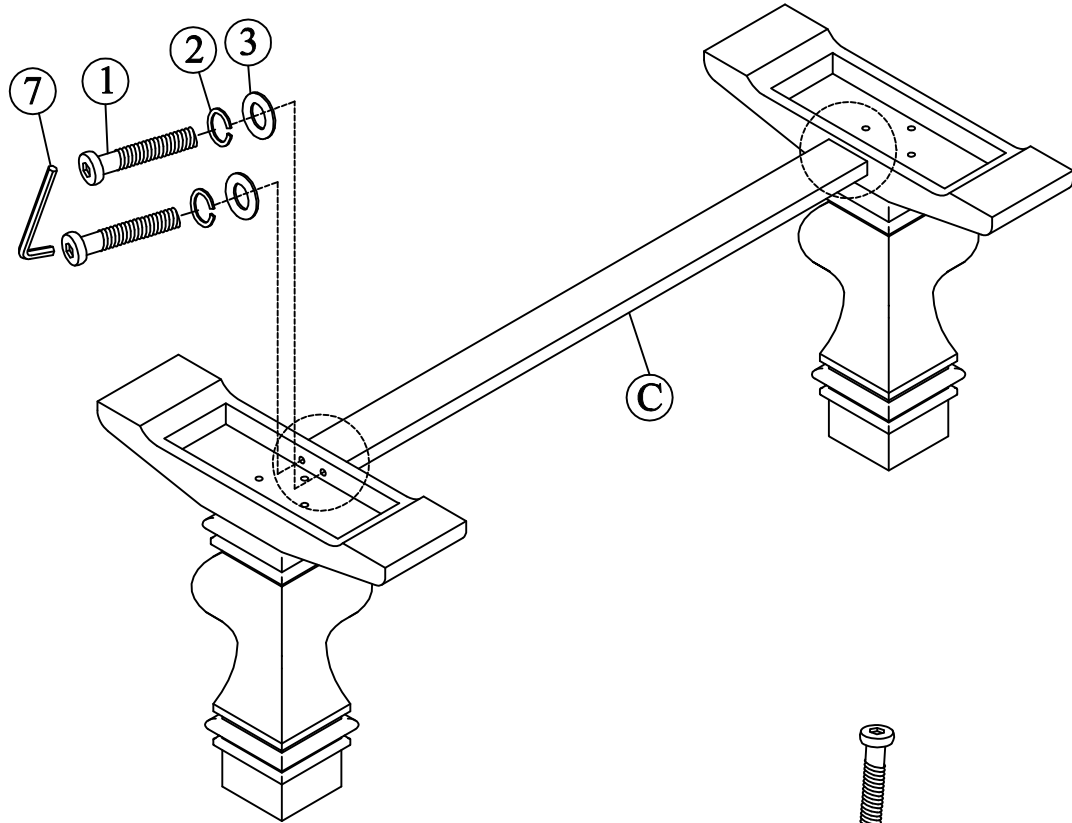
A = 1pc 	B=1pc 	C=1pc 	D=2pcs 
E=2pcs 		F=2pcs 	

No.	Description		Q.ty
1	BOLT Ø5/16" x 50mm		20pcs
2	LOCK WASHER		20pcs
3	FLAT WASHER		20pcs
4	BOLT Ø1/4" x 35mm		12pcs
5	LOCK WASHER		12pcs
6	FLAT WASHER		12pcs
7	ALLEN WRENCH		1pc

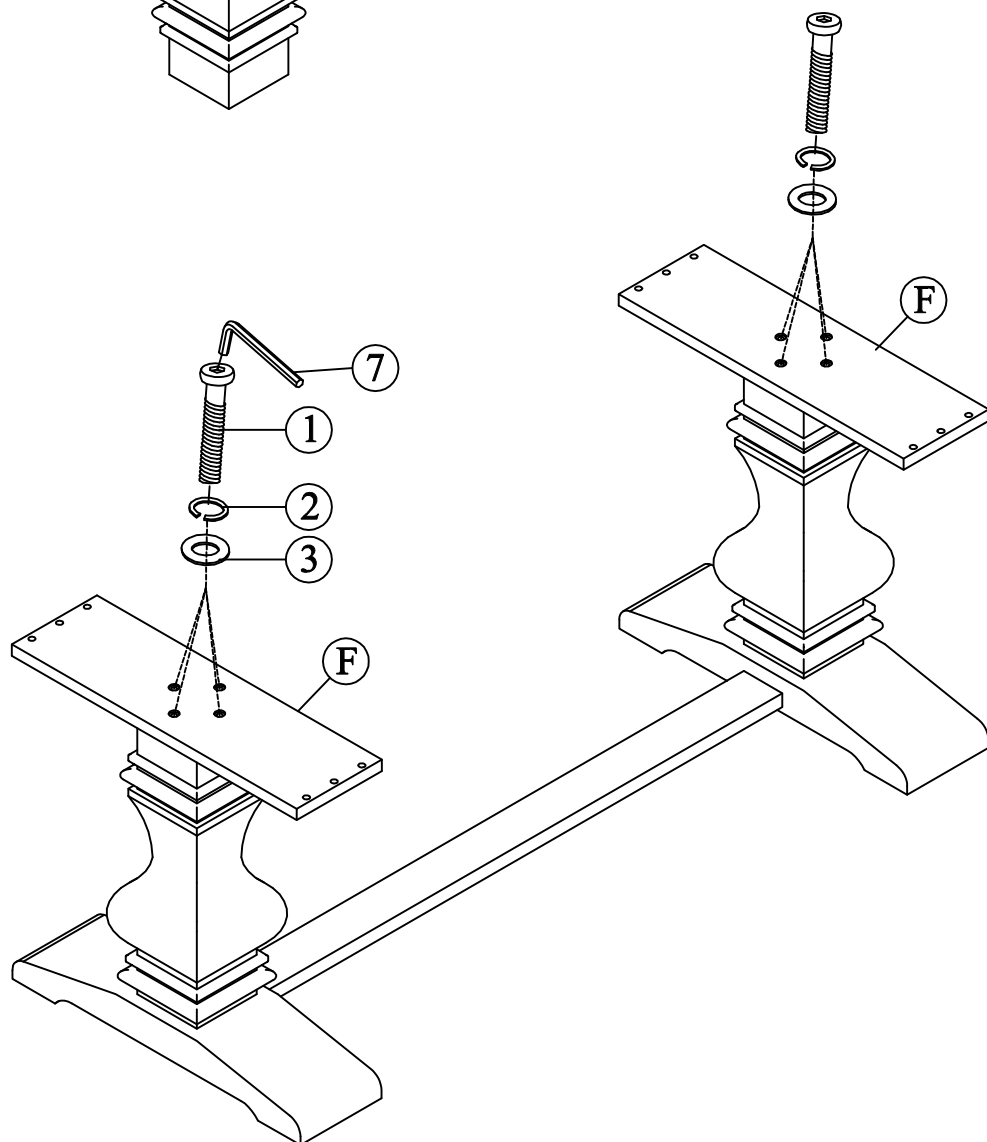
STEP 1



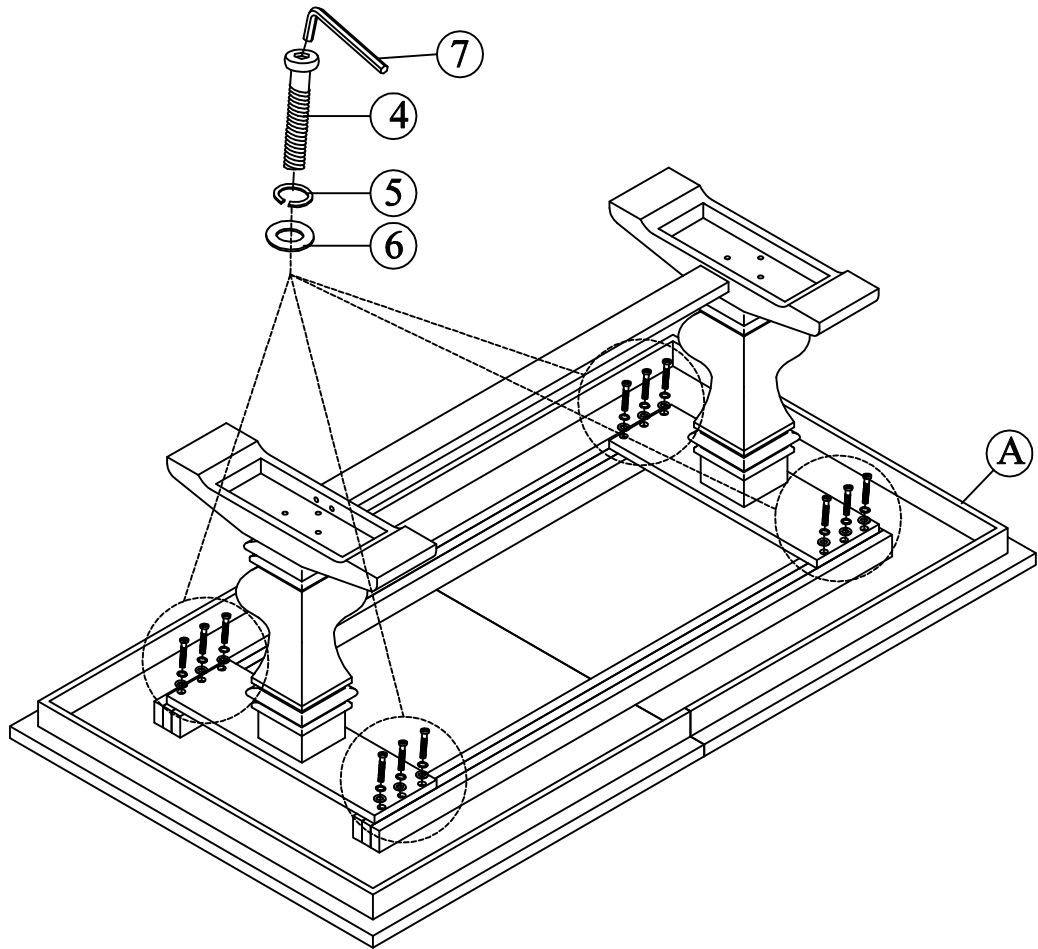
STEP 2



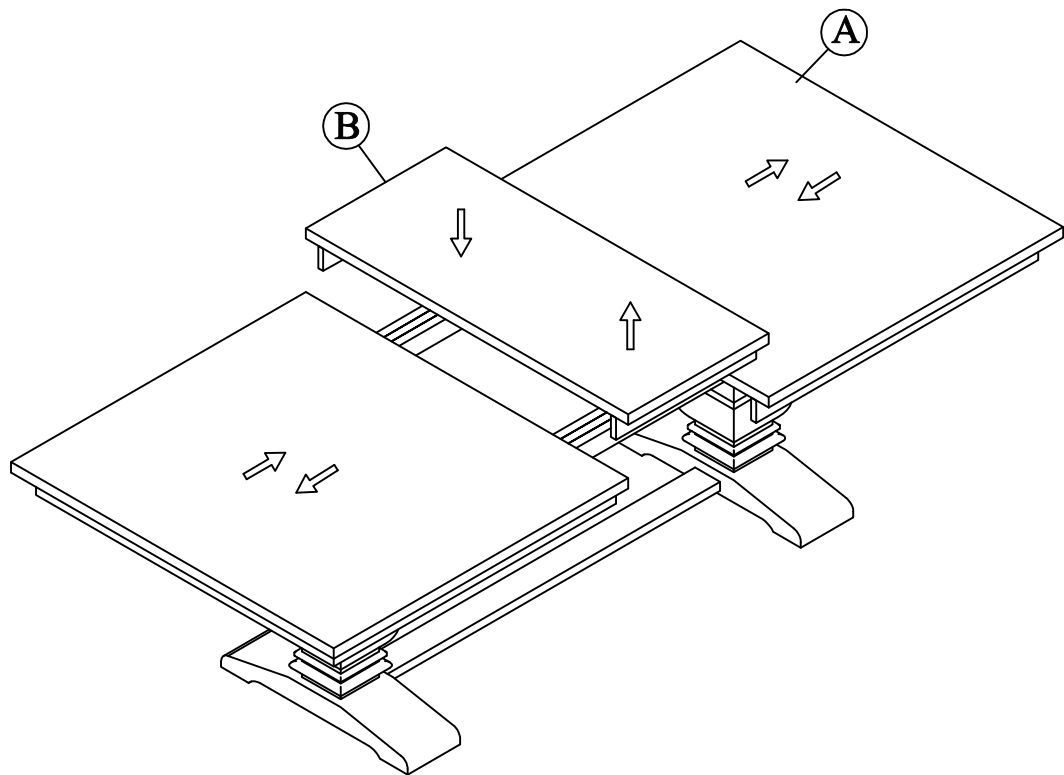
STEP 3



STEP 4



STEP 5



STEP 6

