

TZSK-V 3

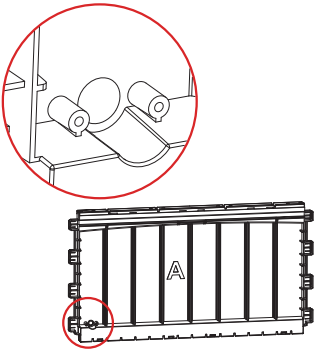
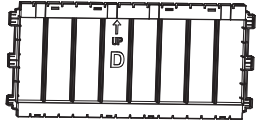
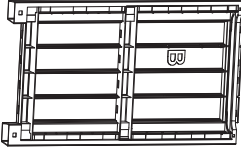
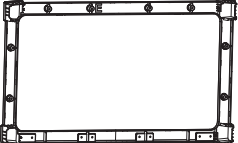
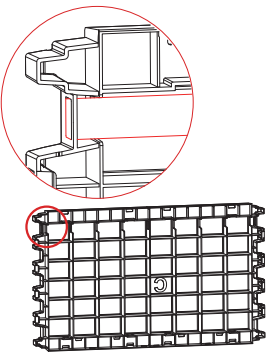
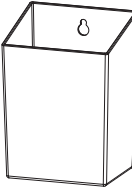

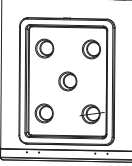
FTPLDB-2005
FTPLDB-2014

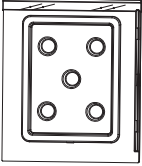

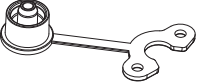

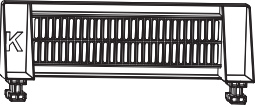



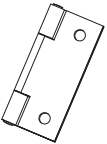

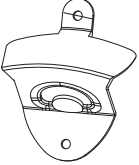

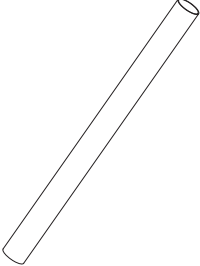

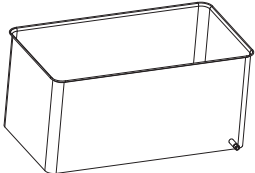


ROLLING COOLER CART

⚠ Once installed, the product cannot be detached. Strictly follow each step in the installation manual.

1. Gather and organize all required parts prior to assembly.
2. Assemble on a flat, clean and soft surface.
3. Please prepare rubber mallet in advance for convenient installation.
4. The product's structure prevents it from being conveniently assembled in low temperatures, so do not intentionally install at low temperatures.
5. During installation, please refer to the accessories guides to ensure that they are installed in the correct directions.

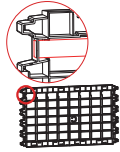
Item no.	Reference Image	Qty.	Item no.	Reference Image	Qty.
A	 <p>▲ Note: One has a drain hole</p>	X2	D		X1
B		X2	E		X1
C	 <p>▲ Note: One has an iron rod</p>	X2	J		X1
			G		X4
			H		X1

Item no.	Reference Image	Qty.	Item no.	Reference Image	Qty.
I		X1	W1		X2
V		X1	W2		X2
K		X1	L		X1
M		X8	R		X1
N		X4	Q		X26
O		X1	S		X3
P		X1	W		X2
			U		X1

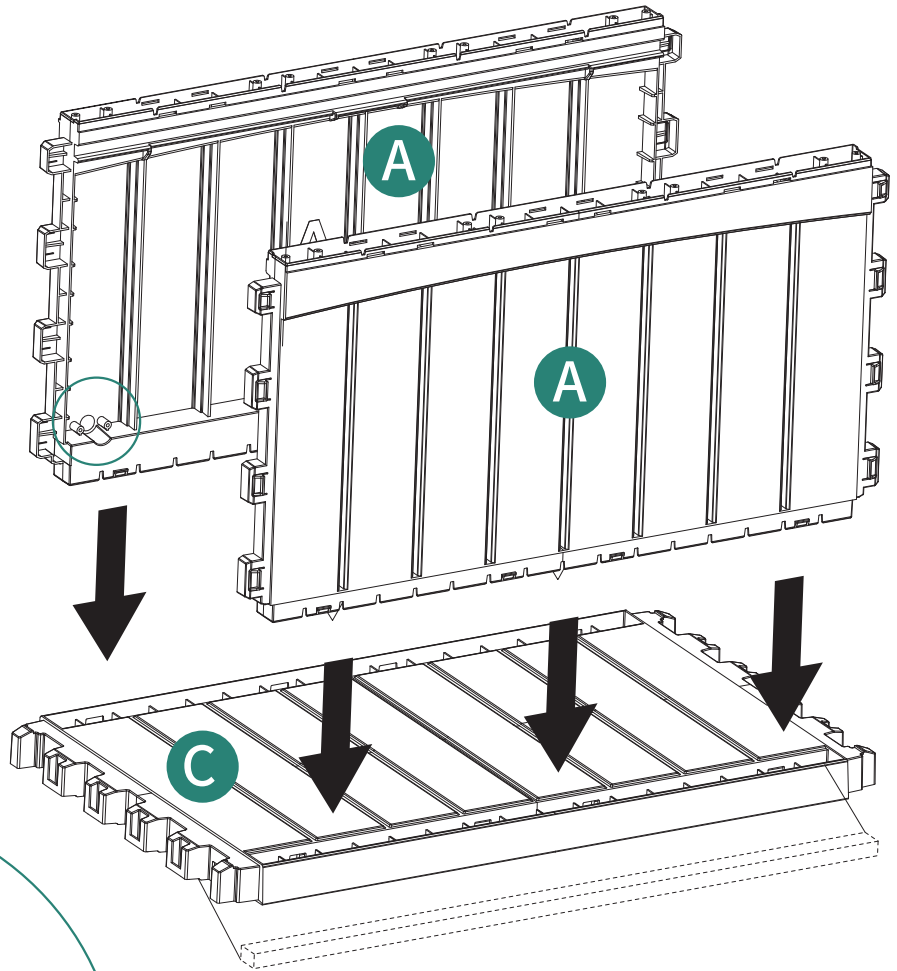
1



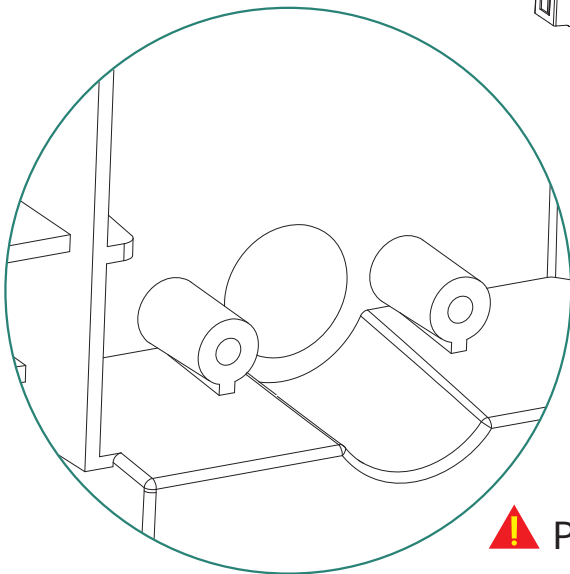
Ⓐ 2pcs



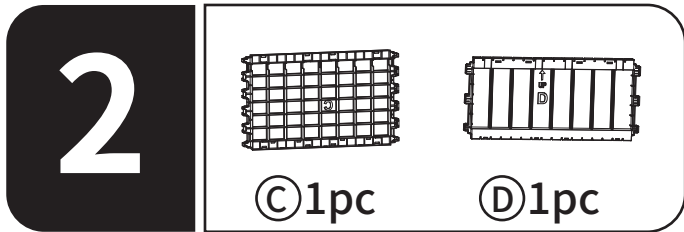
Ⓒ 1pc



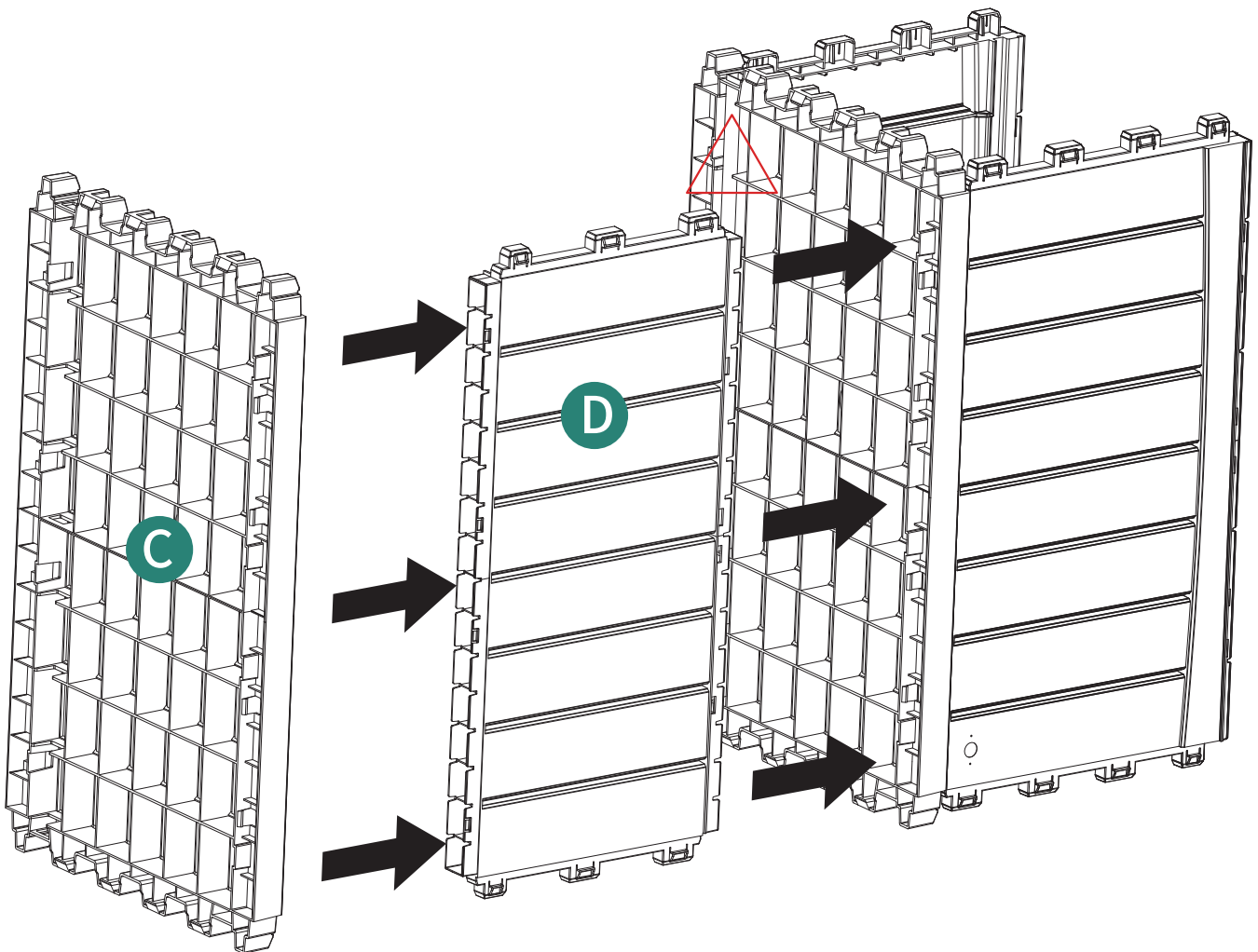
⚠ Panel with iron rod.



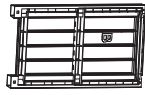
⚠ Panel with drain hole.



Since the iron rod is used to reinforce the structure, pay attention to its position (marked with \triangle in the picture) when installing it on the panel.



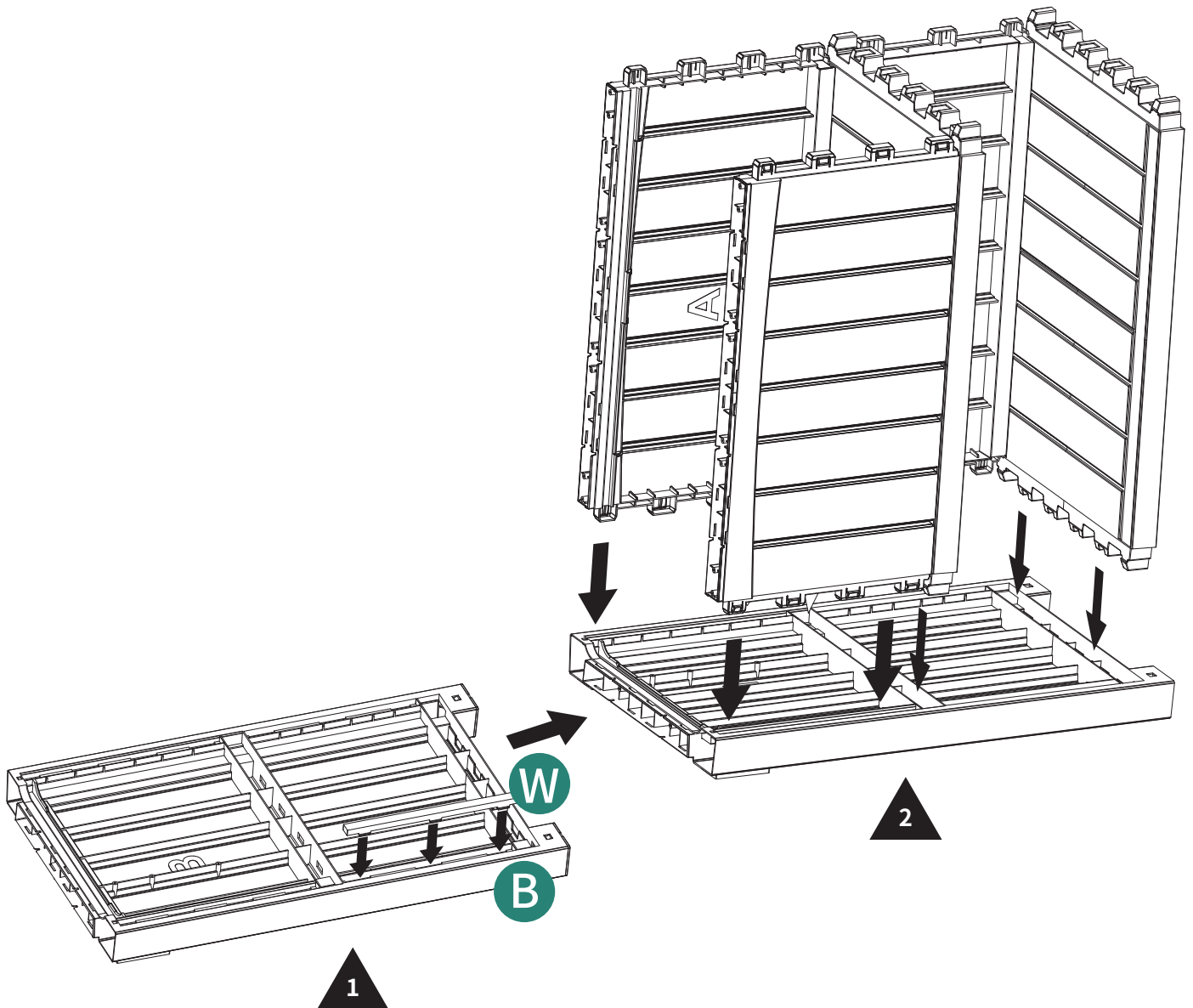
3



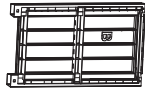
ⓑ1pc



Ⓦ1pc



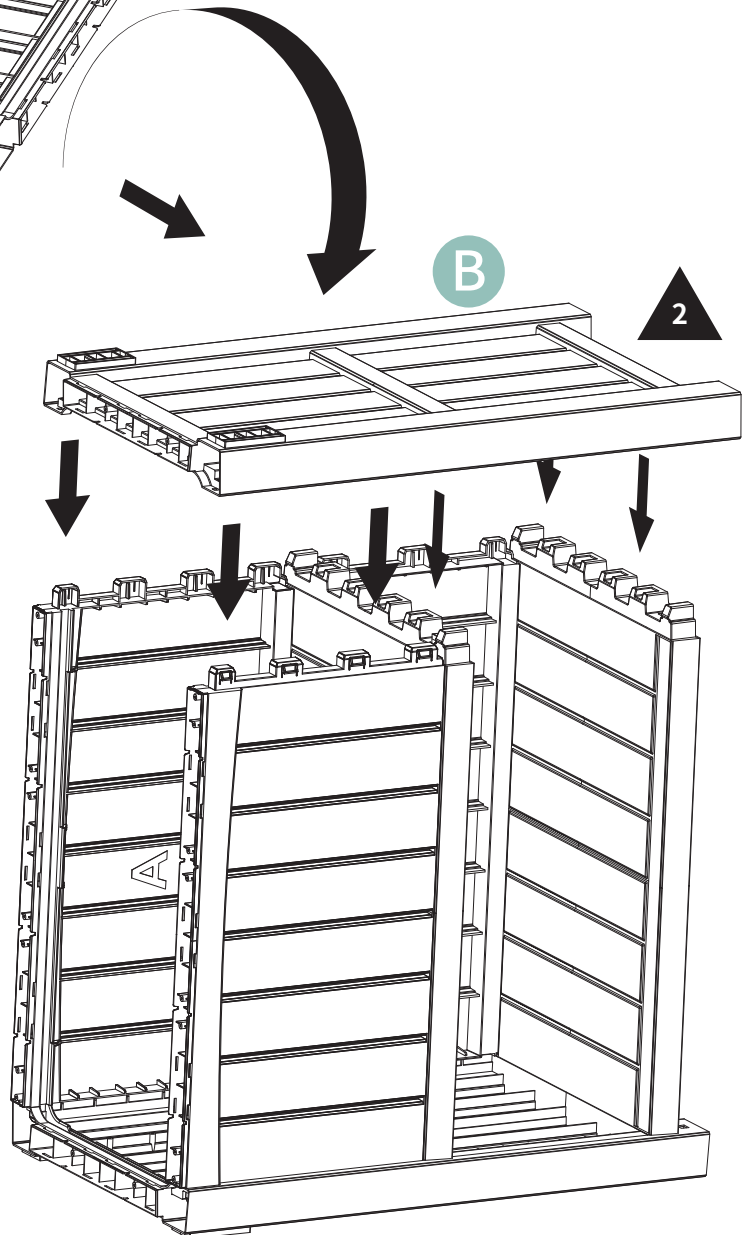
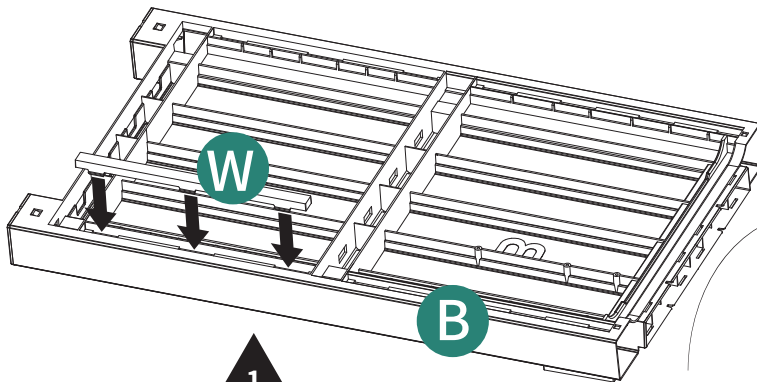
4



Ⓑ 1pc



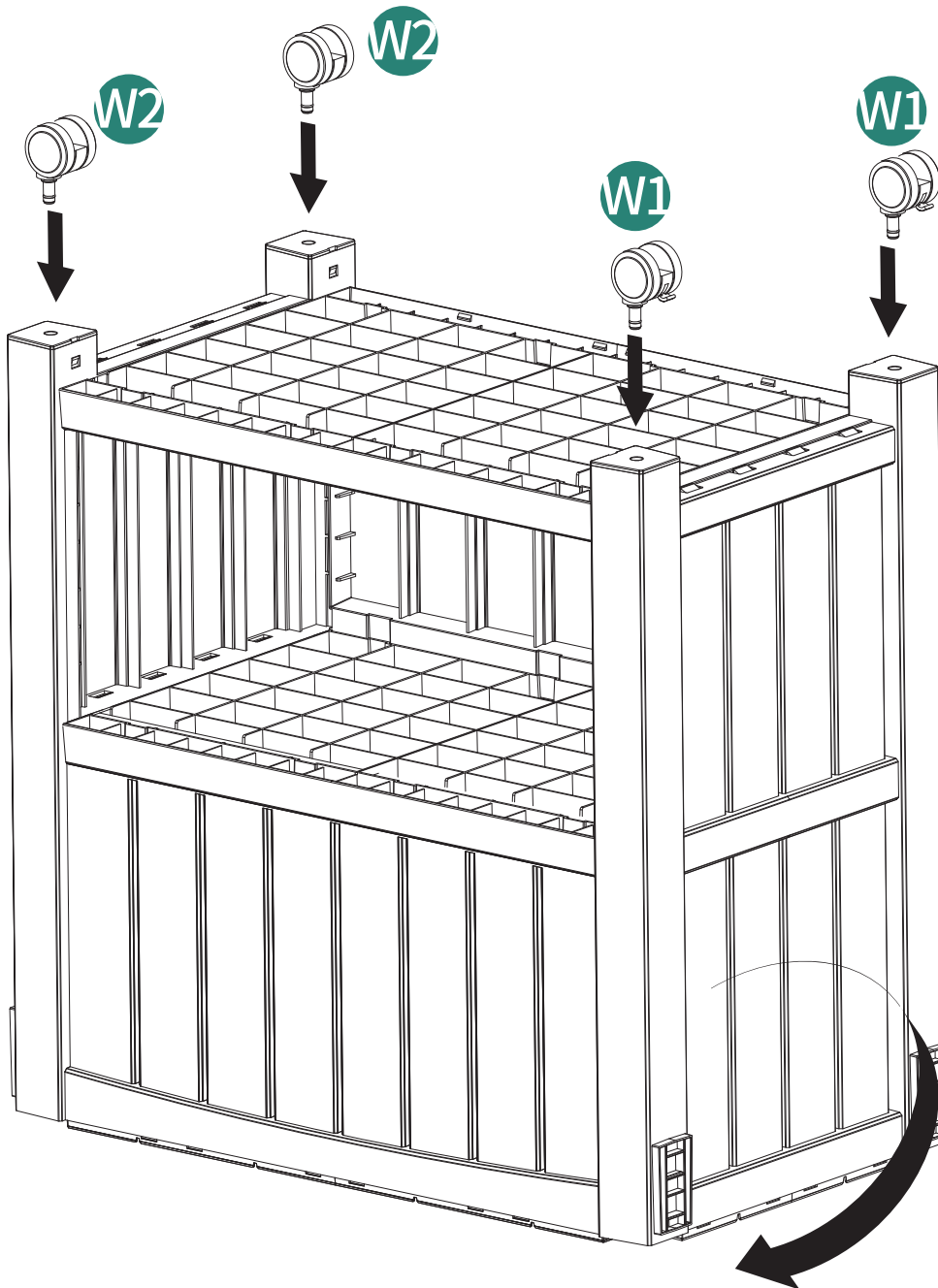
Ⓜ 1pc

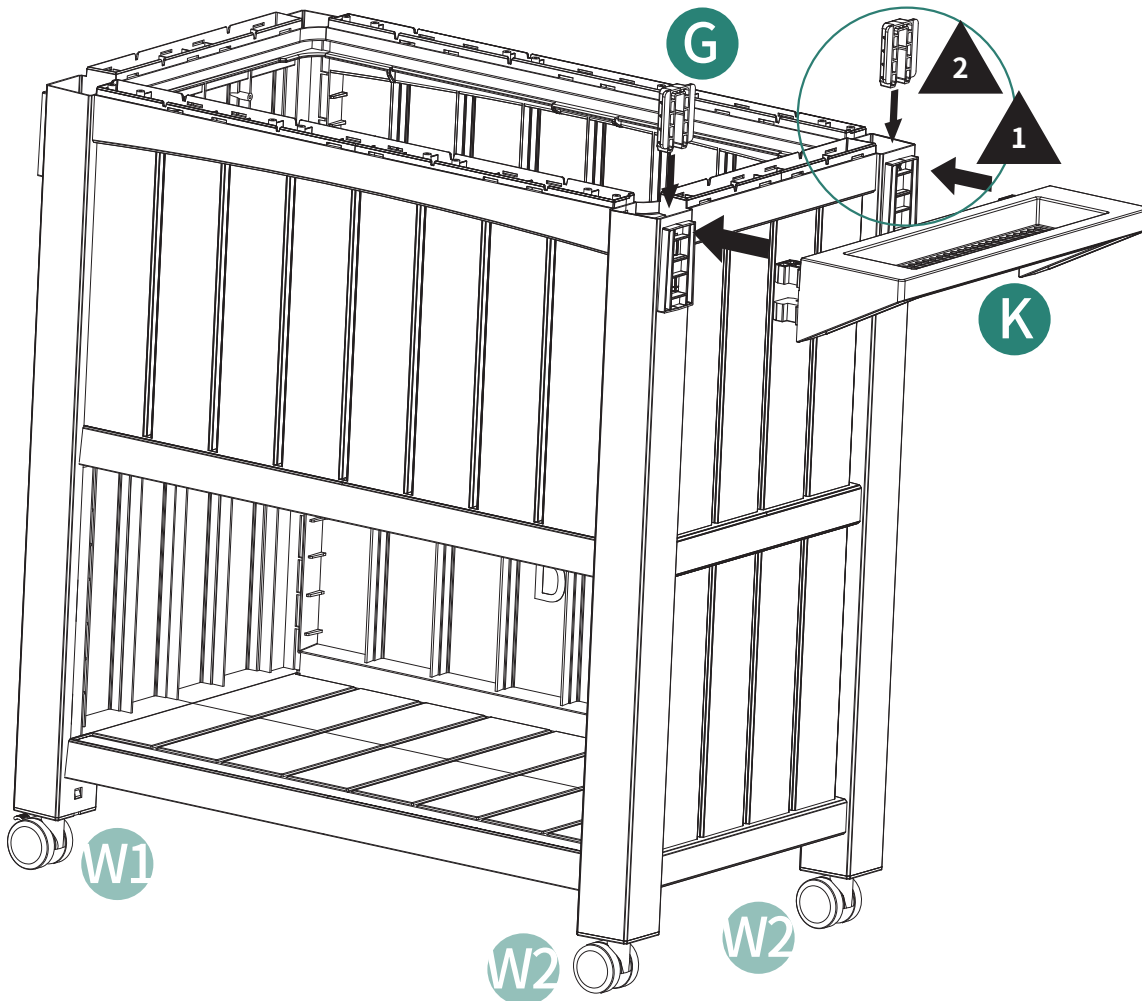
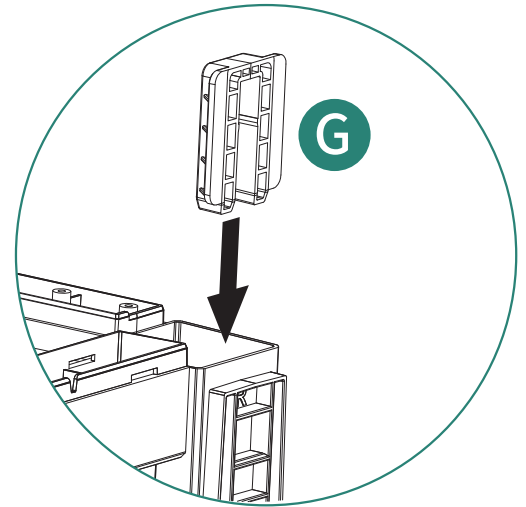
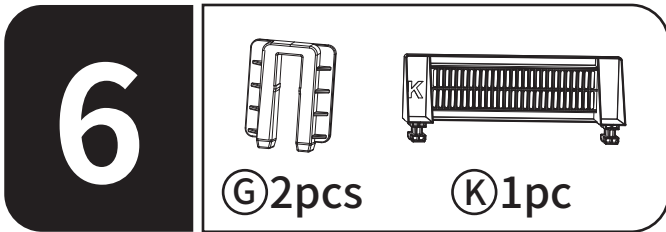


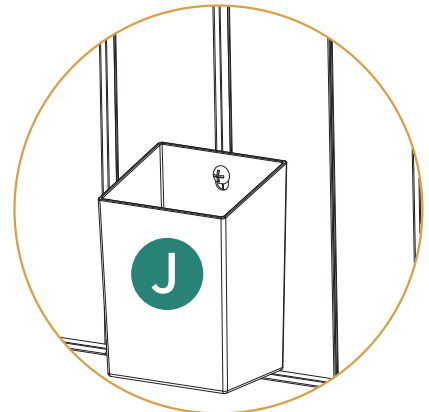
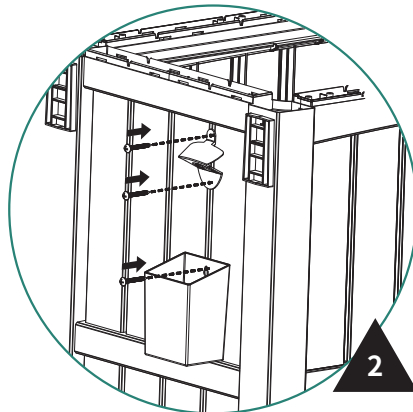
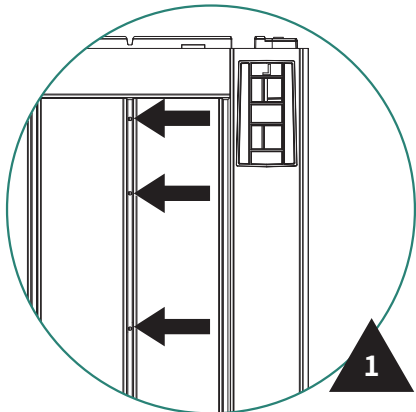
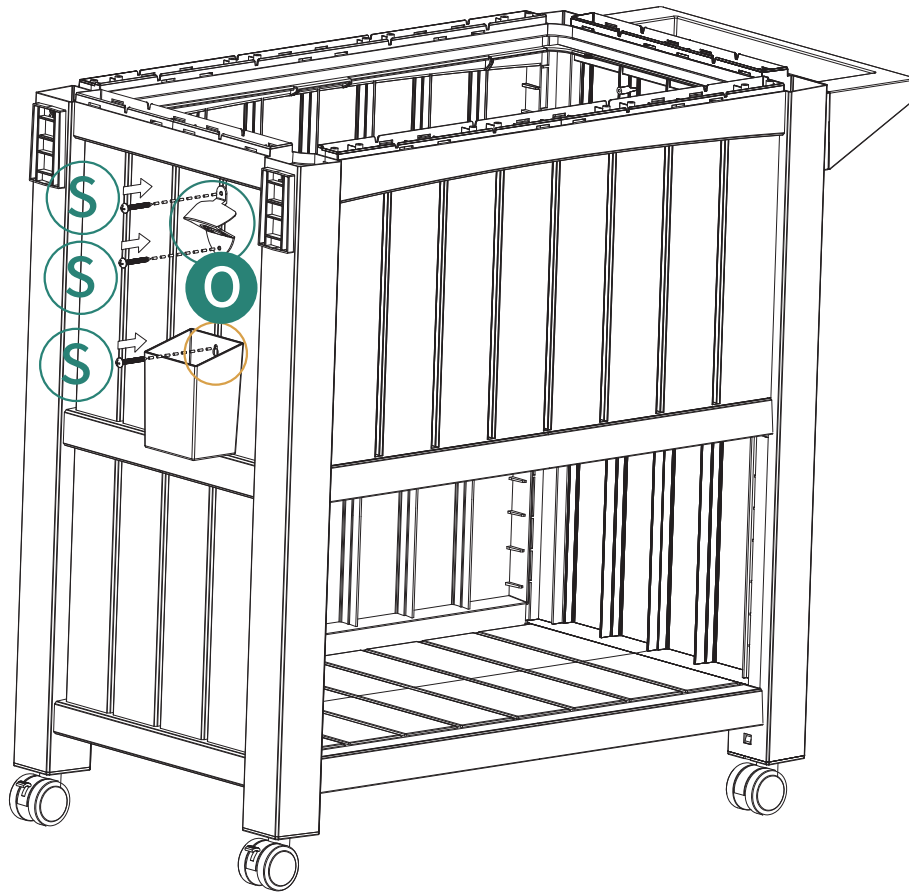
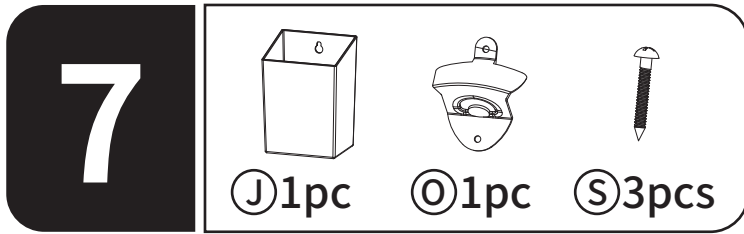
5



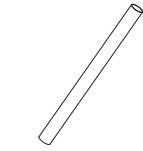
W1 2pcs W2 2pcs







8



Ⓟ1pc

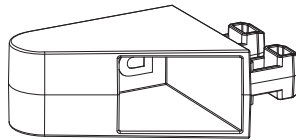


Ⓛ1pc

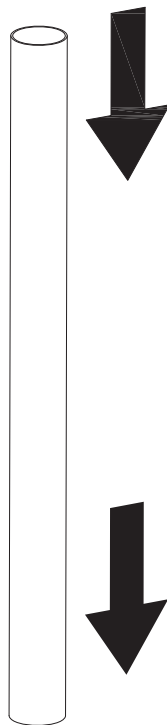


Ⓡ1pc

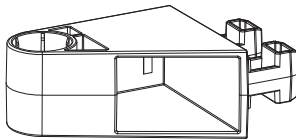
Ⓡ

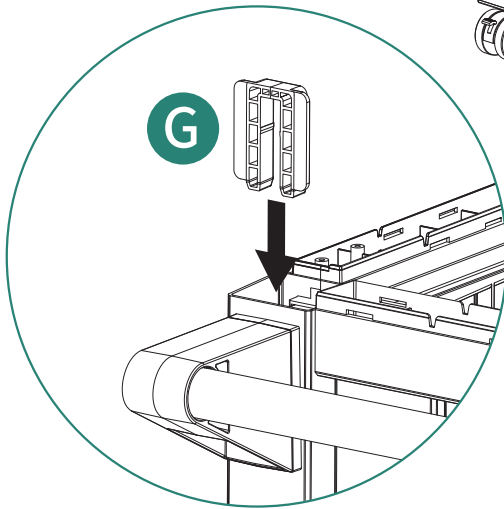
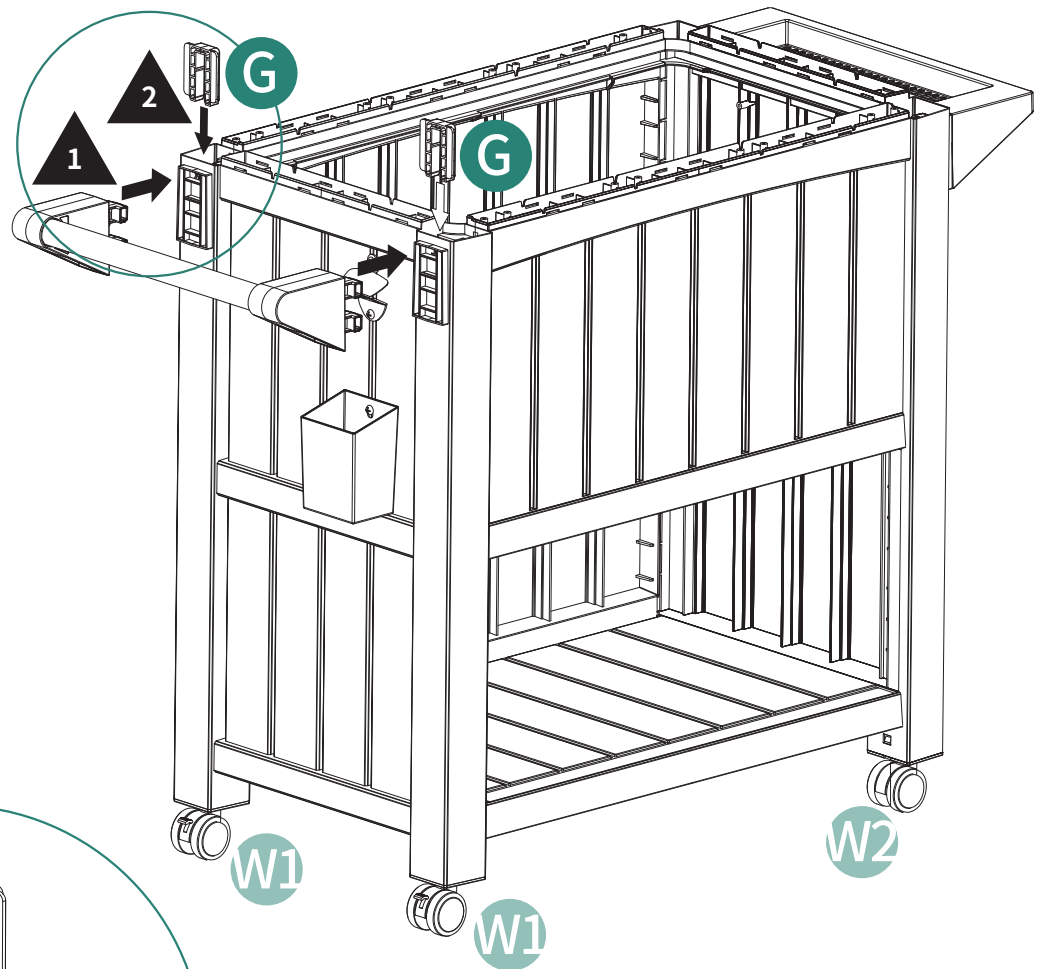
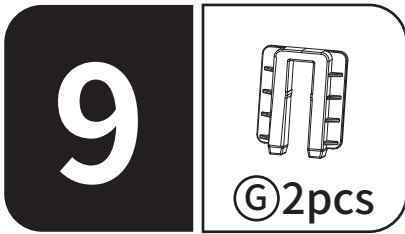


Ⓟ

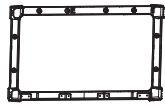


Ⓛ



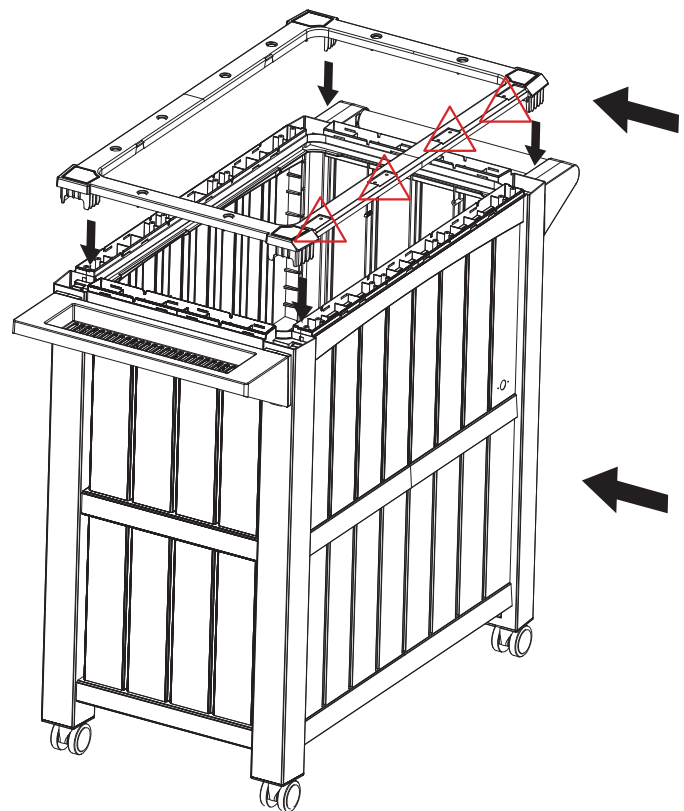
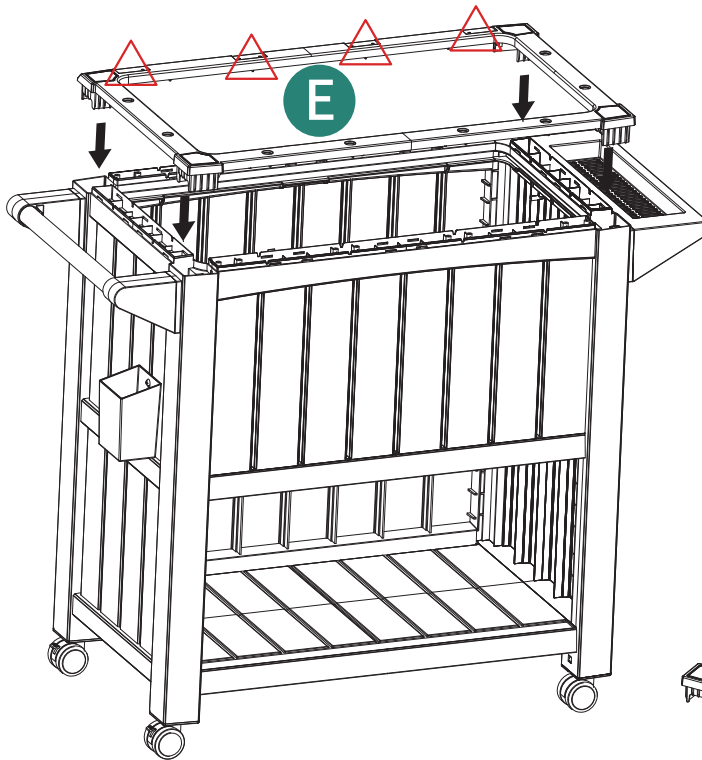


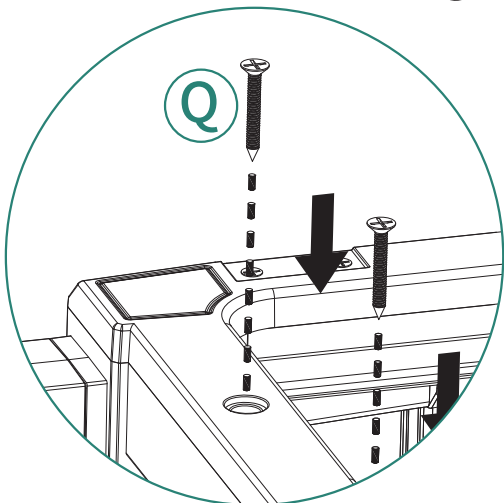
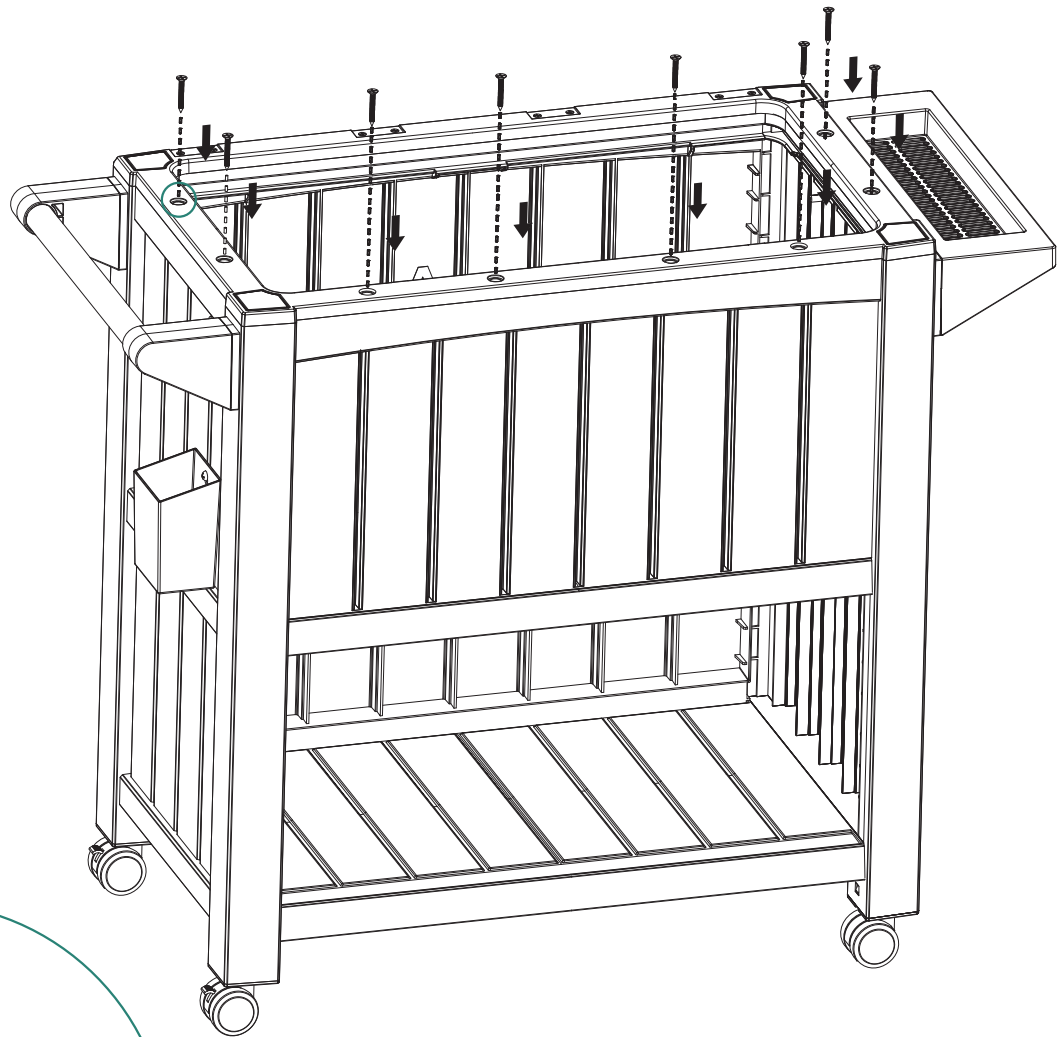
10



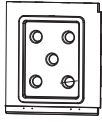
Ⓔ1pc

Pay attention to the hinge's position during installation (marked with \triangle shown in the picture).

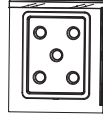




12



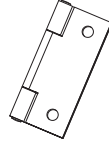
Ⓜ1pc



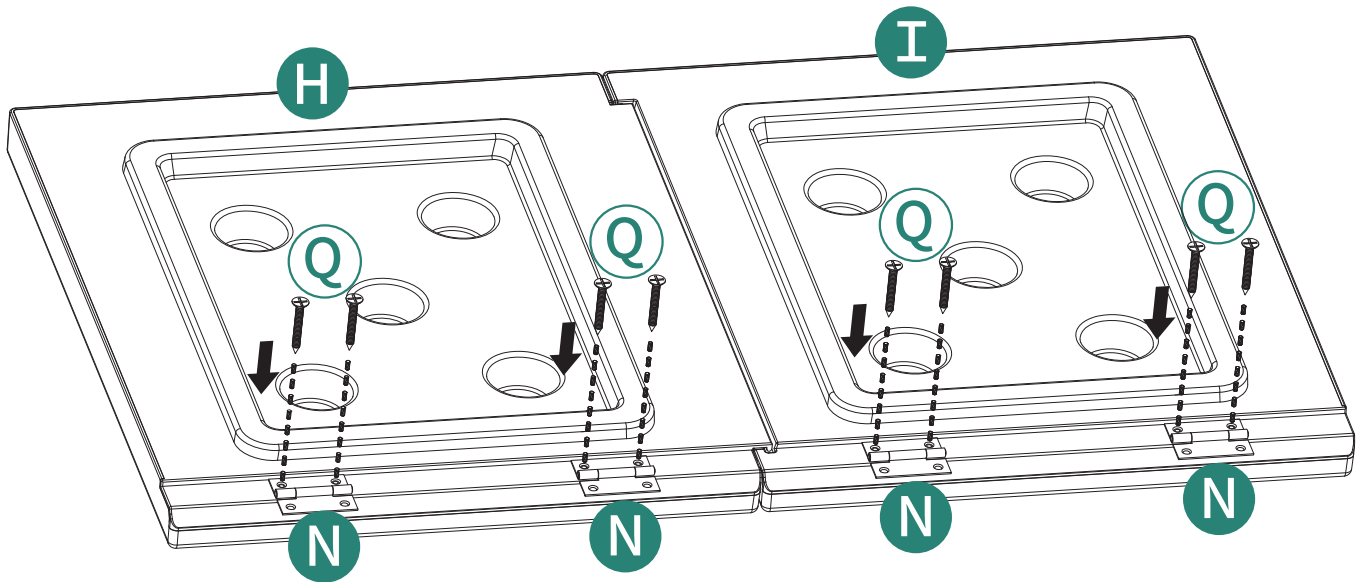
Ⓜ1pc



Ⓜ8pcs



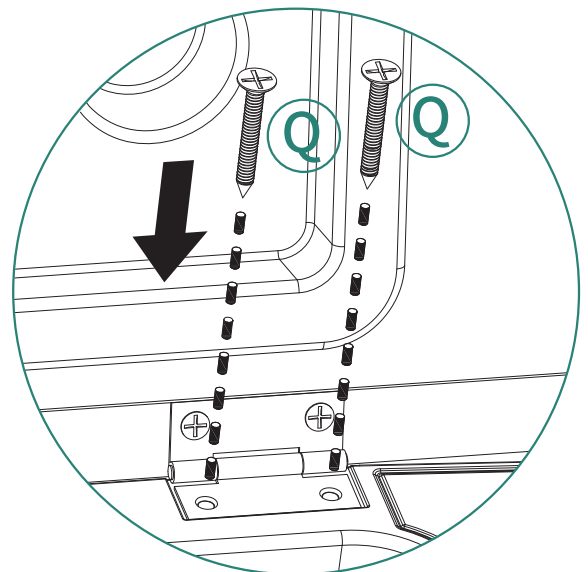
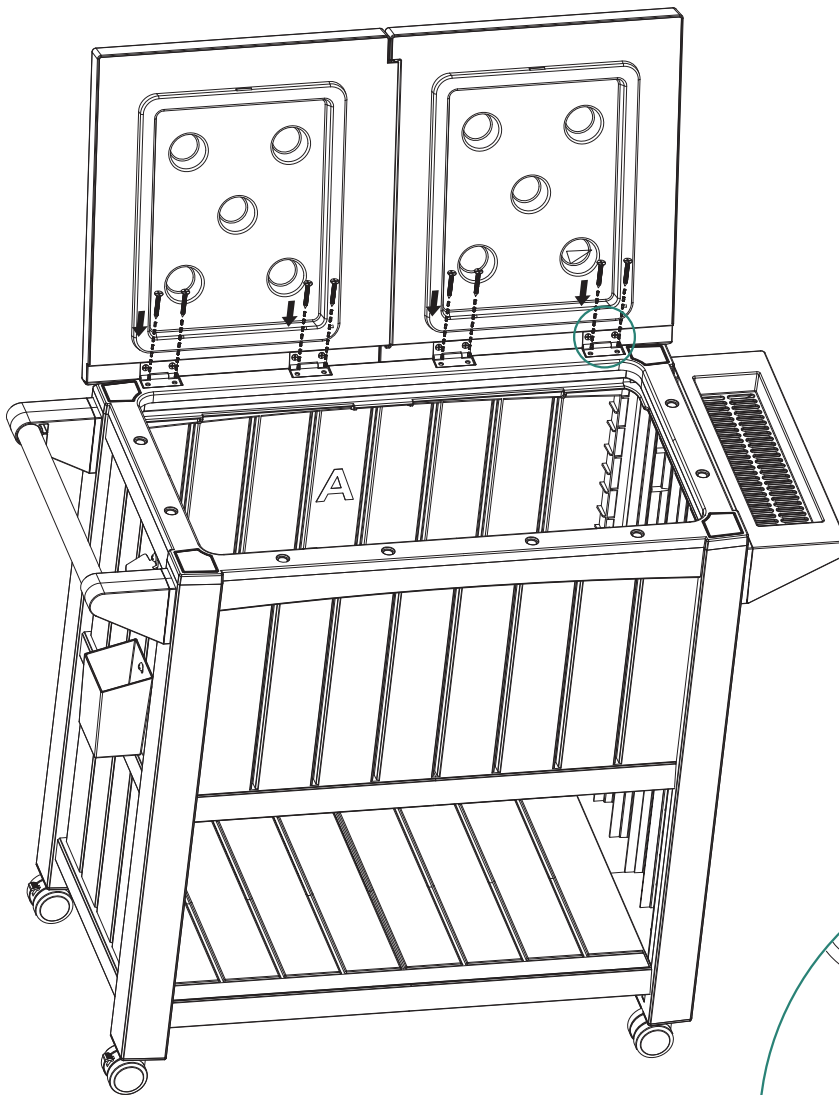
Ⓜ4pcs



13



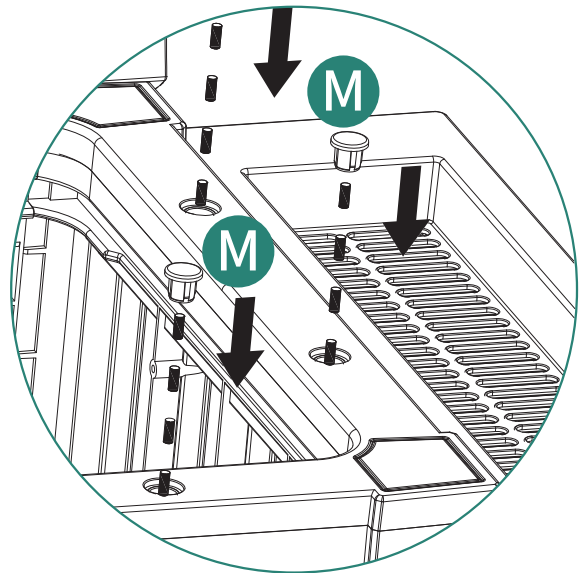
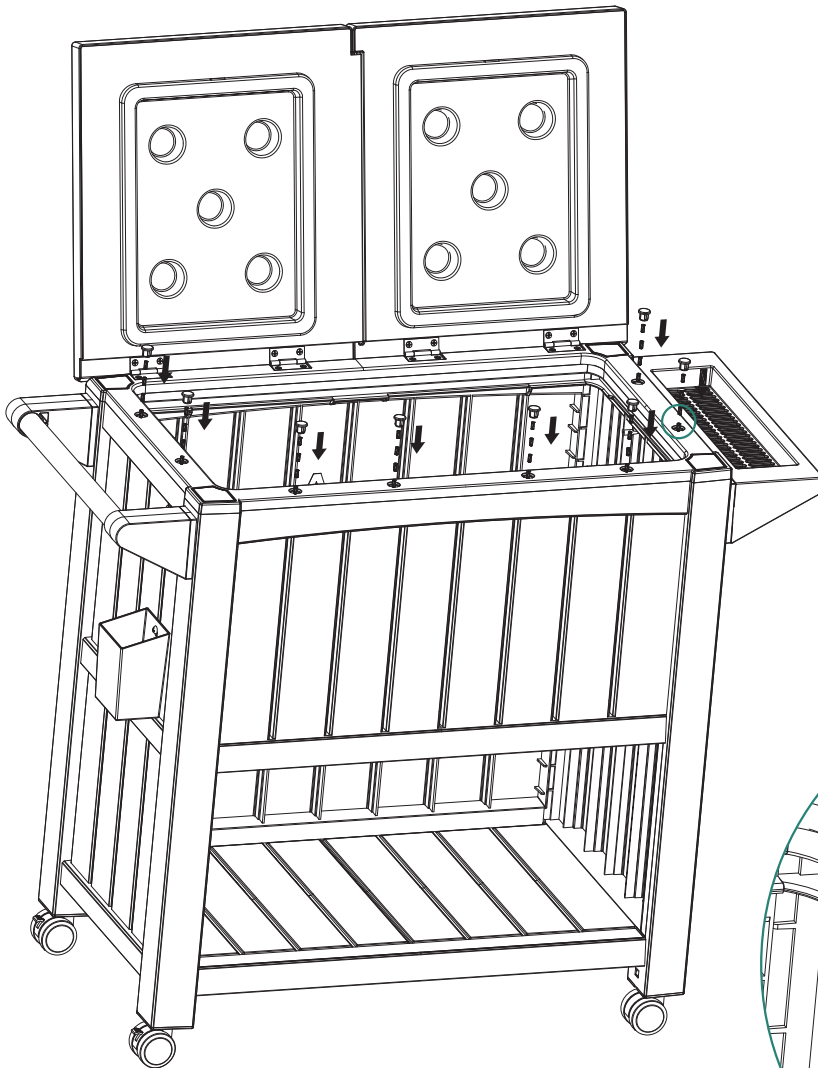
Q8pcs



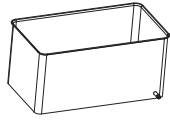
14



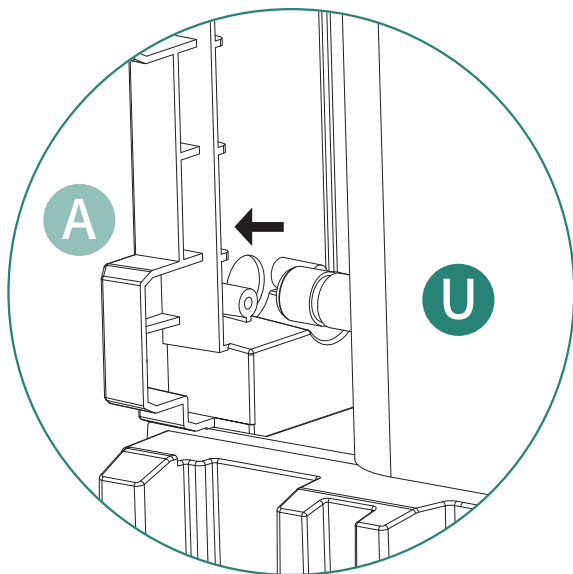
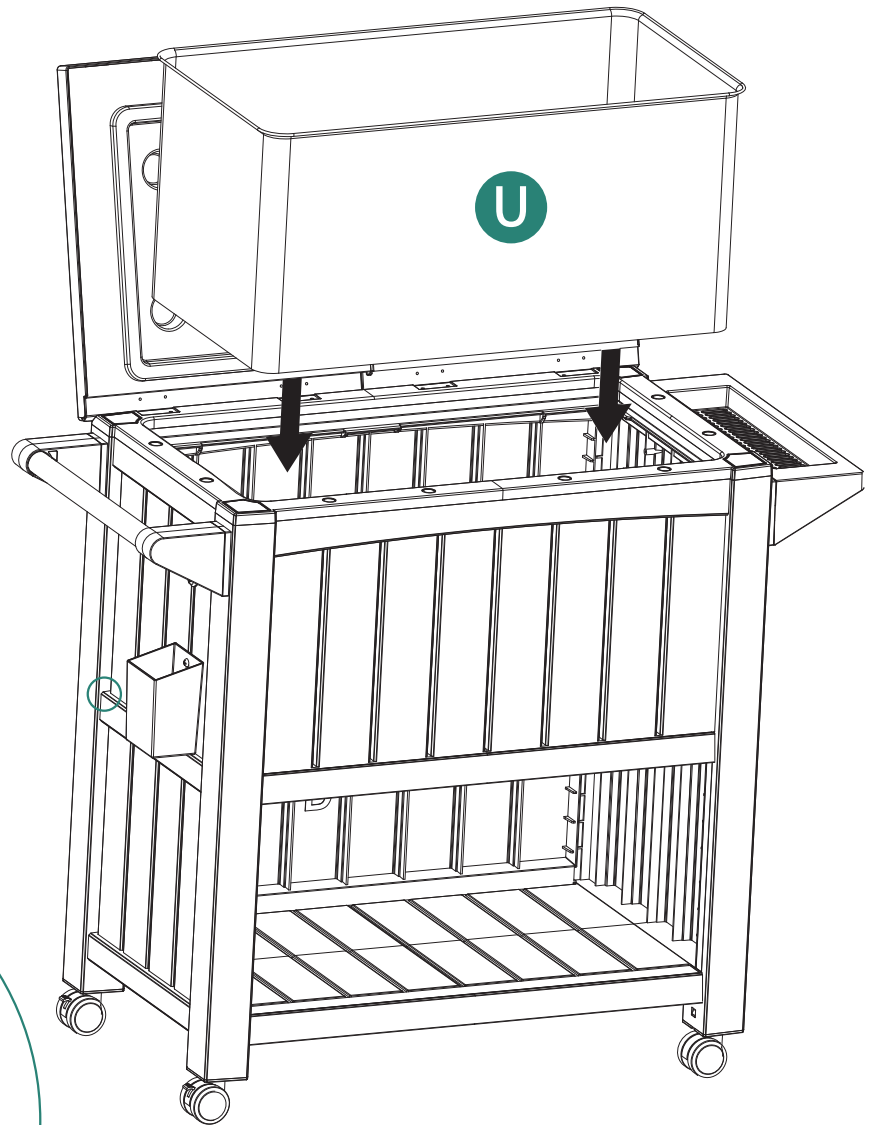
Ⓜ8pcs



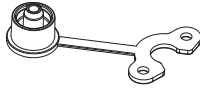
15



Ⓢ 1pc



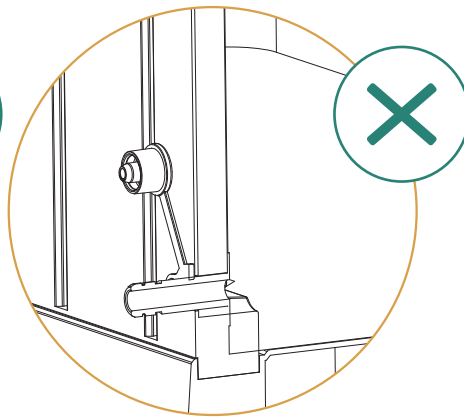
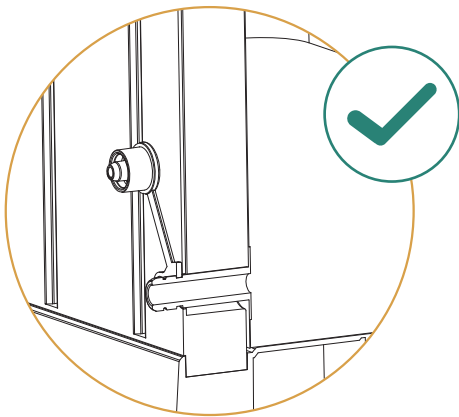
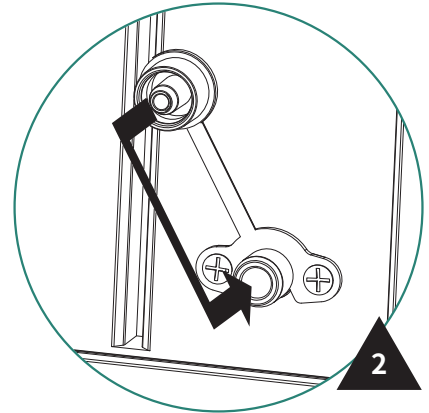
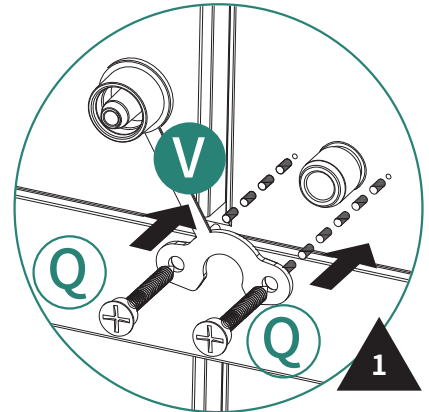
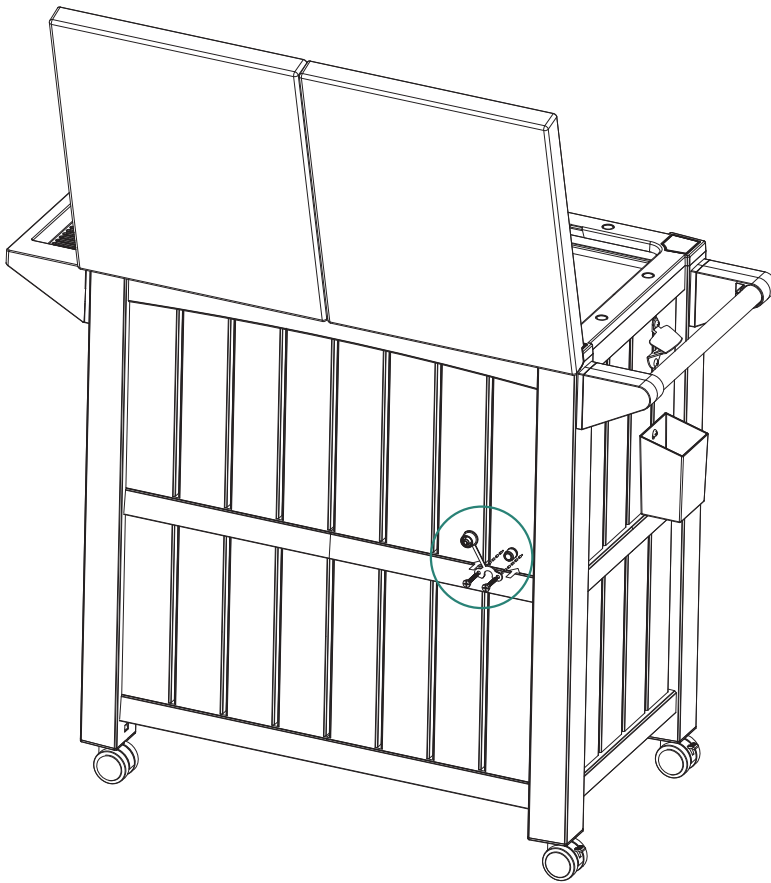
16



Ⓟ1pc



Ⓞ2pcs



Note: The drain pipe should not be stretched out for too long, or else its matched cover (part V) cannot reach and fully cover the opening.

17



Installation Completed



CONTACT US:

If you have any questions about the installation of YITAHOME products, just contact us at +1 (888) 717-8084 from Mon-Fri 8:00 AM-4:30 PM PST / Sat. 8:00 AM-12:00 PM PST or e-mail us at after-sale.cs@hotmail.com

Alternative method to contact us (amazon.com orders only)

1. Log into your Amazon account
2. Go to "Your Orders" and find the purchase
3. Click on "Contact Seller"