

4Pcs Black Rattan Sofa Set



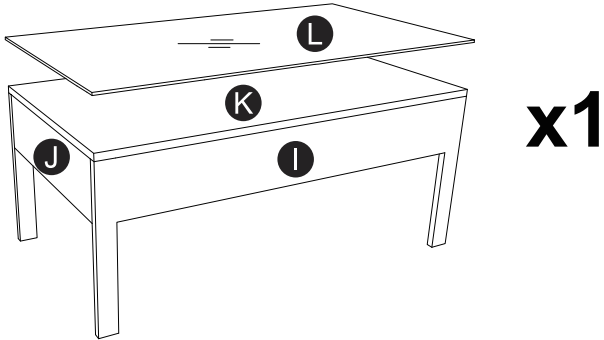
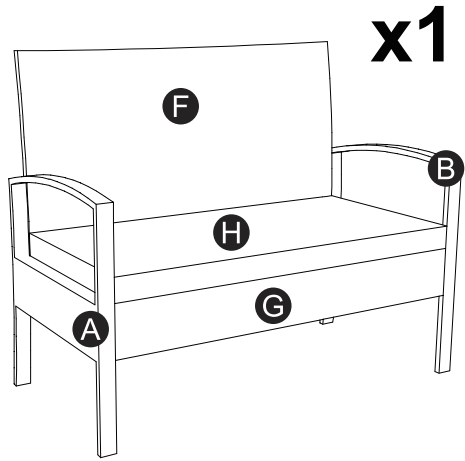
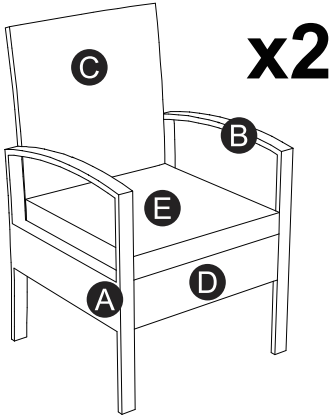
Before You Start

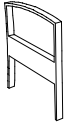
- ⚠ Please read all instructions carefully.
- ⚠ Retain instructions for future reference.
- ⚠ Separate and count all parts and hardware.
- ⚠ Read through each step carefully and follow the proper order.
- ⚠ We recommend that, where possible, all items are assembled near to the area in which they will be placed in use, to avoid moving the product unnecessarily once assembled.
- ⚠ Always place the product on a flat, steady and stable surface.
- ⚠ Keep all small parts and packaging materials for this product away from babies and children as they potentially pose a serious choking hazard.



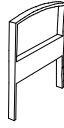
Return / Damage Claim Instructions

- ⚠ **DO NOT discard the box / original packaging.**
In case a return is required, the item must be returned in original box. Without this your return will not be accepted.
- ⚠ **Take a photo of the box markings.**
A photo of the markings (text) on the side of the box is required in case a part is needed for replacement. This helps our staff identify your product number to ensure you receive the correct parts.
- ⚠ **Take a photo of the damaged part (if applicable).**
A photo of the damage is always required to file a claim and get your replacement or refund processed quickly. Please make sure you have the box even if it is damaged.
- ⚠ **Send us an email with the images requested.**
Email us directly from marketplace where your item was purchased with the attached images and a description of your claim.





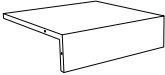
A x3



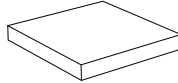
B x3



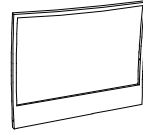
C x2



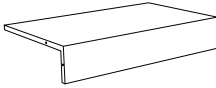
D x2



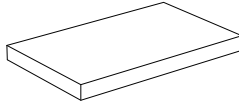
E x2



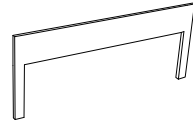
F x1



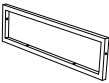
G x1



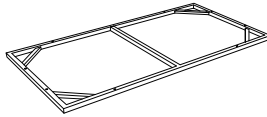
H x1



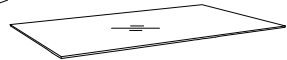
I x2



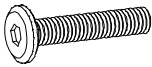
J x2



K x1



845x455x5mm
L x1



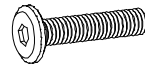
M6x40mm

① x30



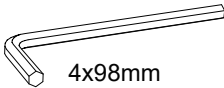
Ø6x14x1mm

② x42



M6x30mm

③ x12

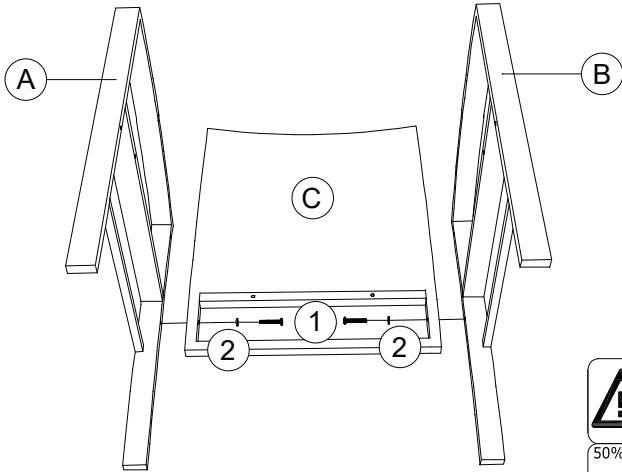


4x98mm

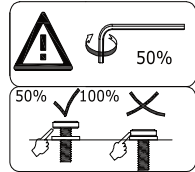
Allen key
/ Clé Allen

④ x3

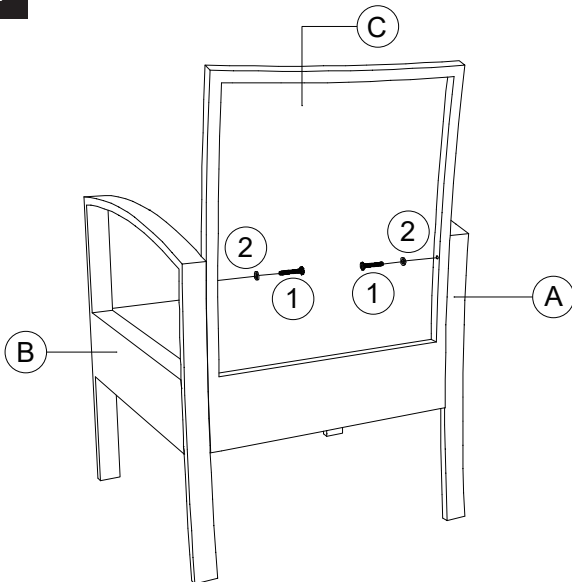
1



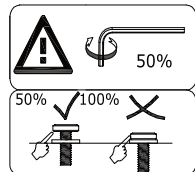
x2



2

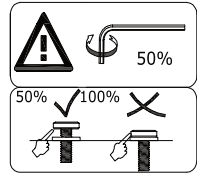
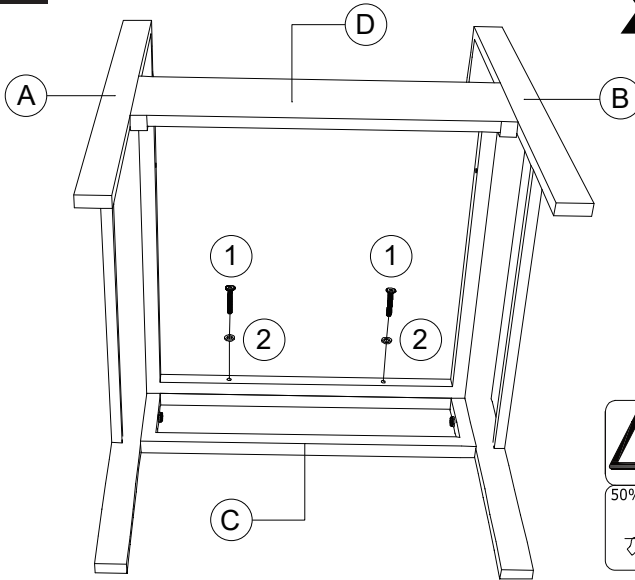


x2



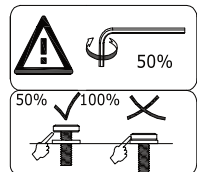
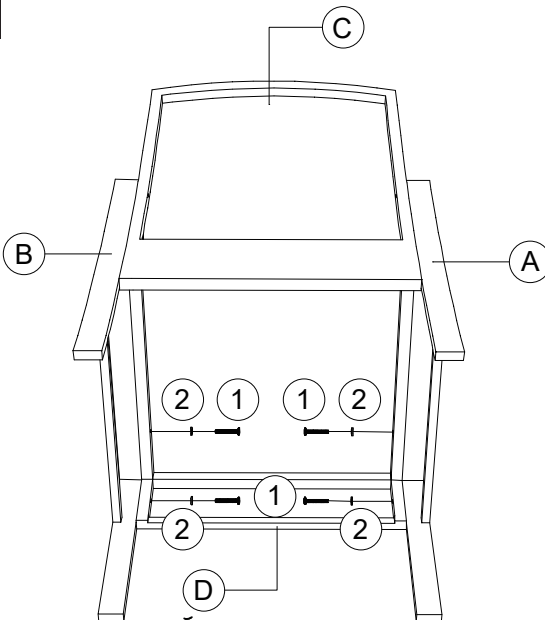
3

x2

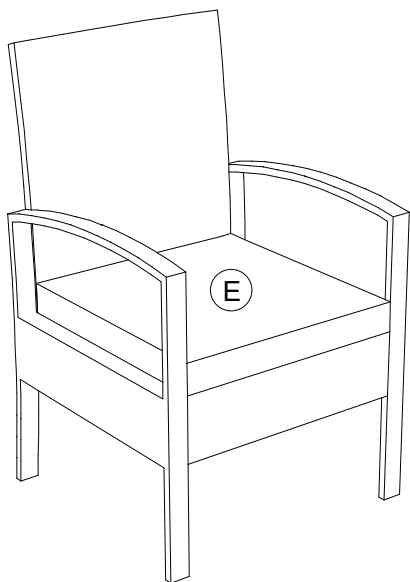


4

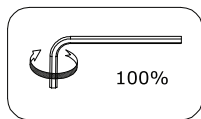
x2



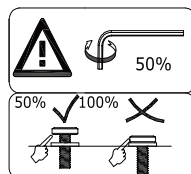
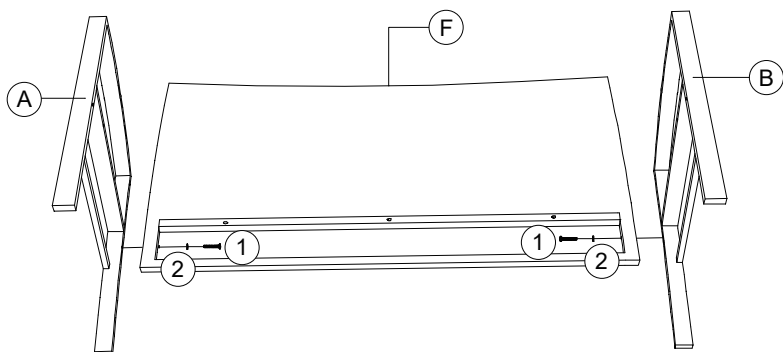
5



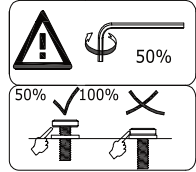
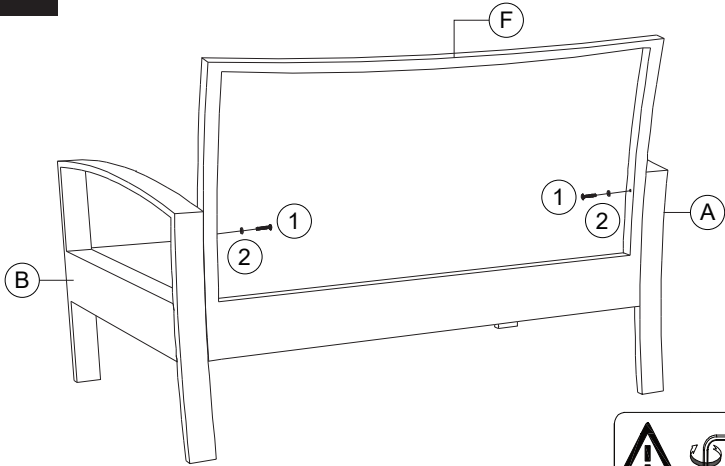
x2



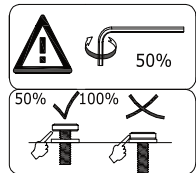
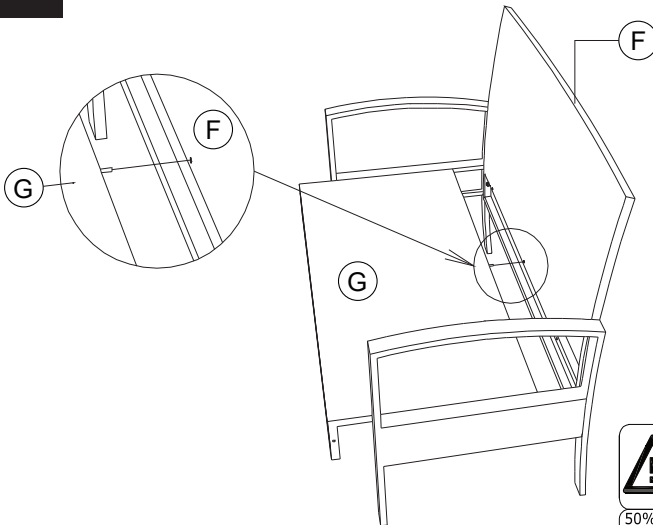
6



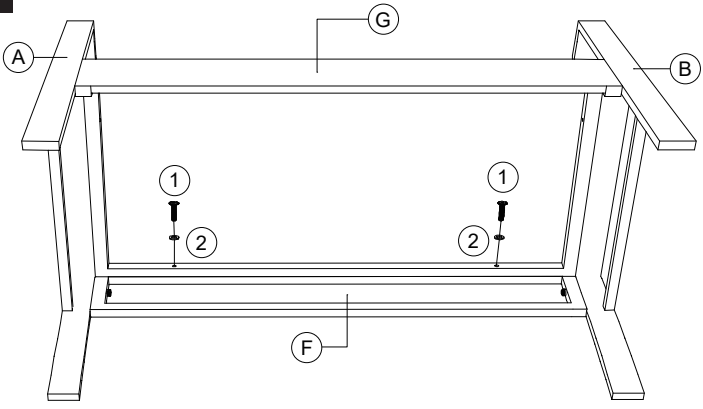
7



8



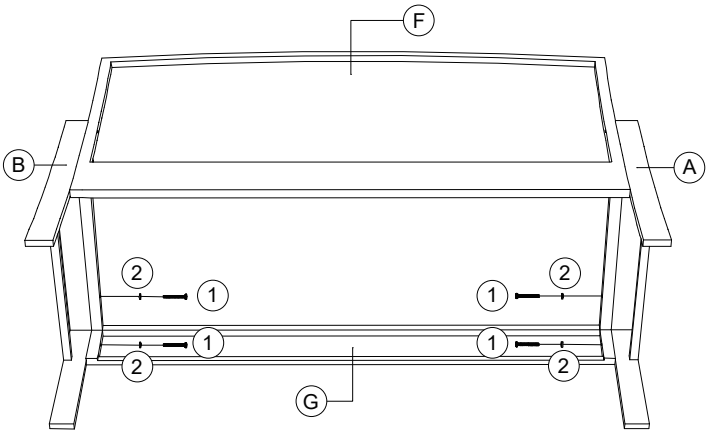
9



⚠️ 50%

50% ✓ 100% ✗

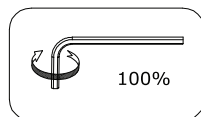
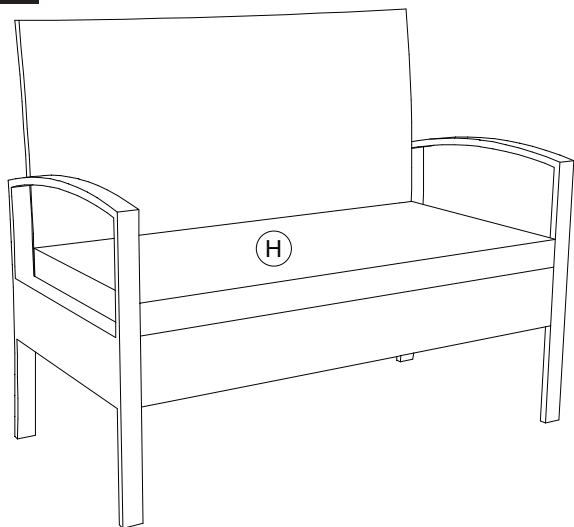
10



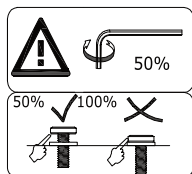
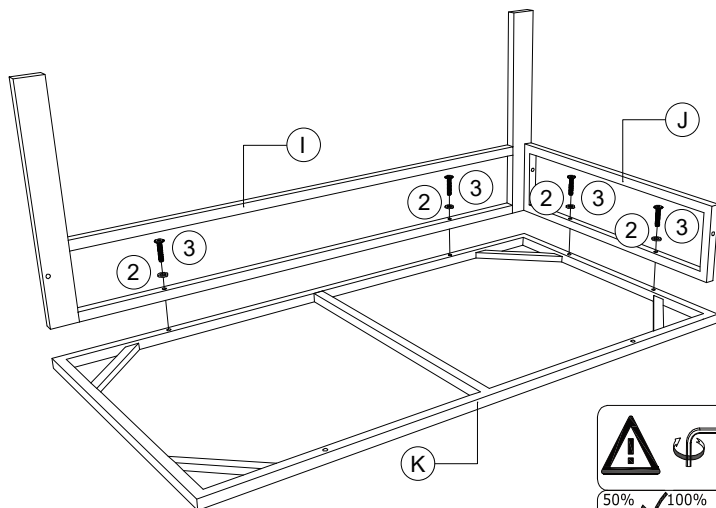
⚠️ 50%

50% ✓ 100% ✗

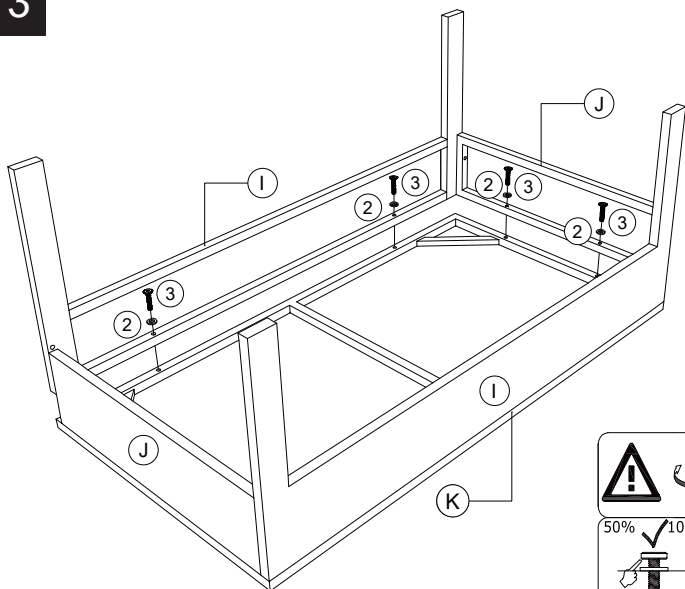
11



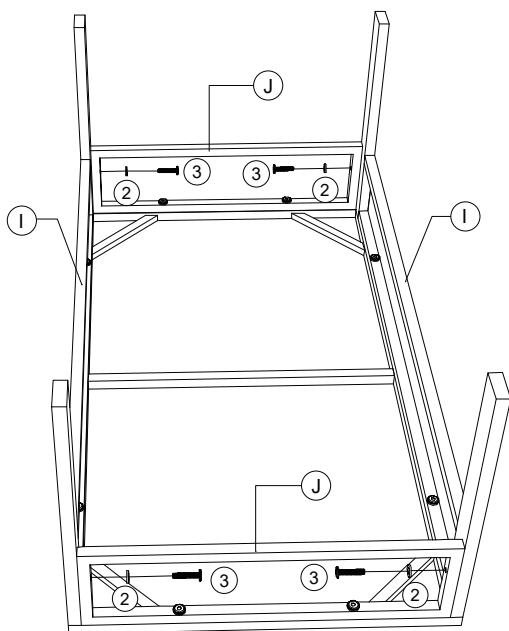
12



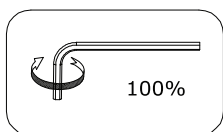
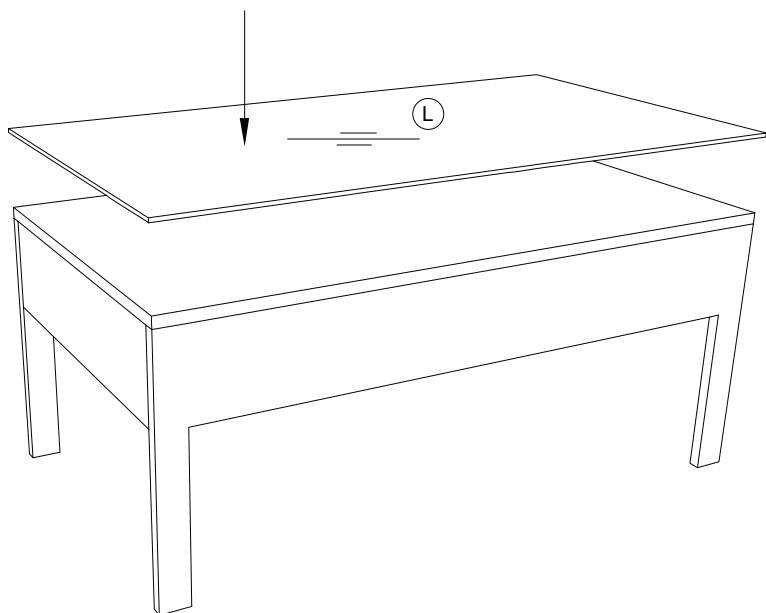
13



14



15



FINSH / TERMINÉ