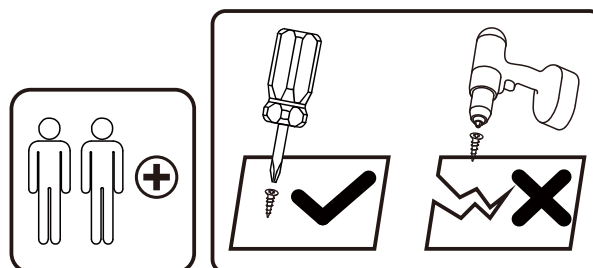
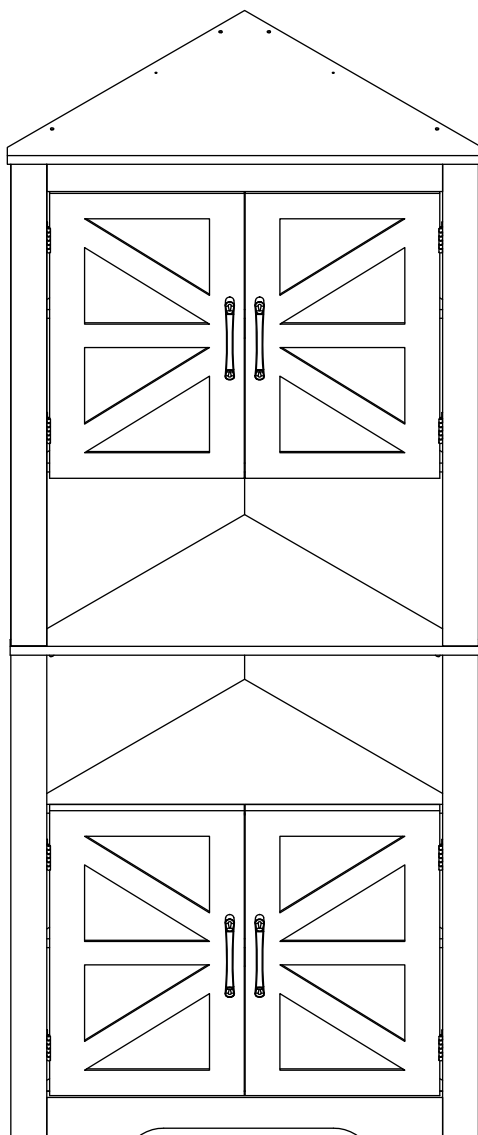


ASSEMBLY INSTRUCTIONS

Customer Service : cs@nbrehome.com



Tools Recommended

THIS INSTRUCTIONS CONTAINS IMPORTANT SAFETY INFORMATION.
PLEASE READ BEFORE ASSEMBLY AND KEEP FOR FUTURE REFERENCE.

Need Parts or Assistance? Email us : cs@nbrehome.com

IMPORTANT NOTICE

- This product contains small components, please ensure that they are kept away from small children.
- THIS INSTRUCTIONS CONTAINS IMPORTANT SAFETY INFORMATION. PLEASE READ BEFORE ASSEMBLY AND KEEP FOR FUTURE REFERENCE.
- Read each step carefully. It is very important that each step of instruction is performed in the correct order. If these steps are not followed in sequence, assembly difficulties will occur.
- Make sure all parts are included. Most parts are labelled or stamped on the raw edge.
- Work in spacious area, preferably on a carpet, near the place the unit will be used.
- Do not use power tools to assemble your furniture. Power tools may strip or damage the parts.
- Move your new furniture carefully, with two people lift and carry the unit to it's new location.
- Never push, drag or pull your furniture (especially on carpet)



PLEASE DO NOT RETURN PRODUCT TO US IMMEDIATELY

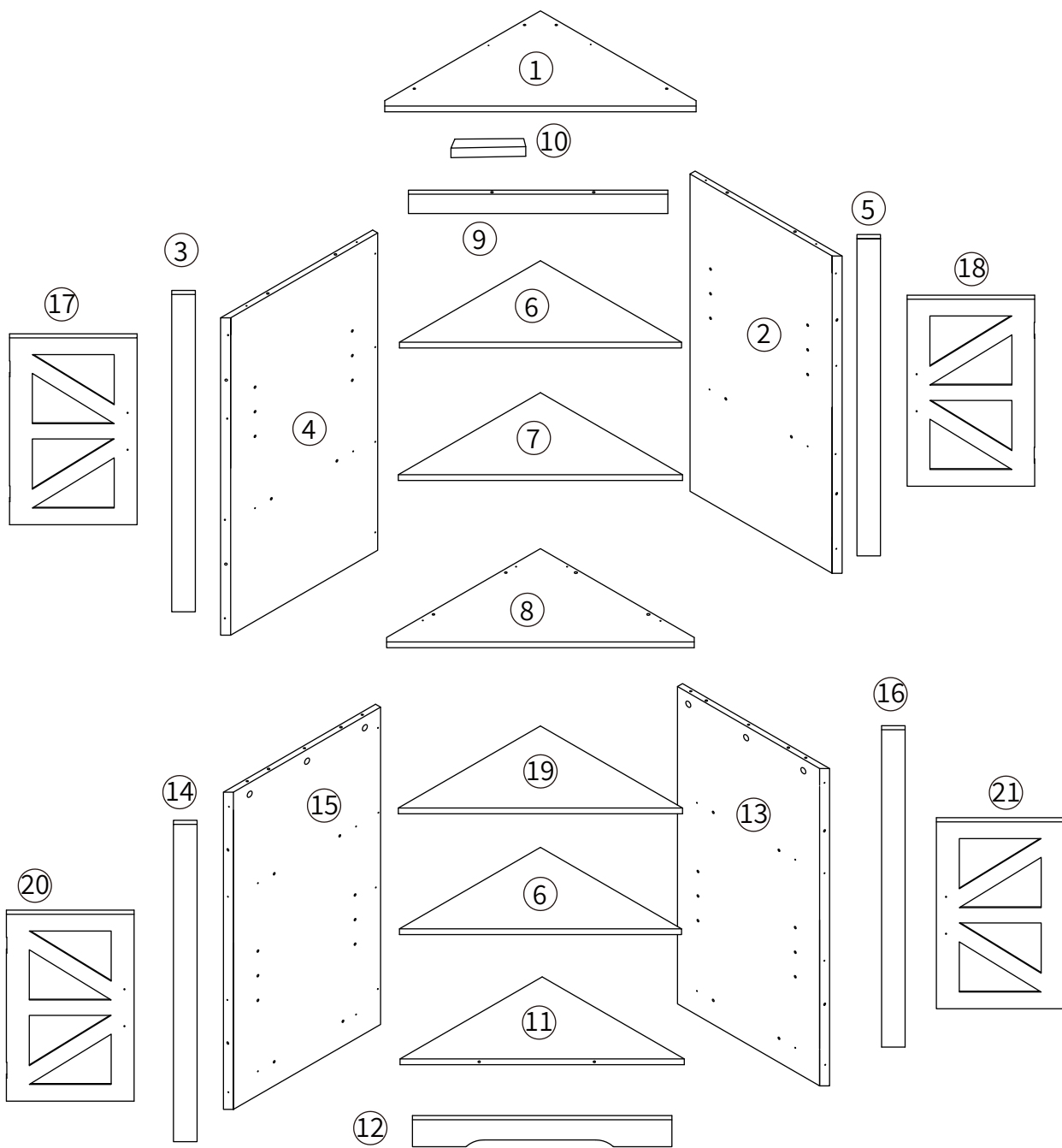
If a part is missing or damaged, email our customer service. We will gladly ship your replacement parts FREE of charge.















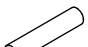






Need Parts or Assistance? Email us : cs@nbrehome.com

For Prompt, reliable service, please have your assemble instruction ready

 WARNING	
	Children have died from furniture tipover. To reduce the risk of furniture tipover: <ul style="list-style-type: none">• ALWAYS install anti-tip device provided.• NEVER put a TV on this product.• NEVER allow children to stand, climb or hang on any drawers, doors, or shelves.• NEVER open more than one drawer at a time.• Place heaviest items in the lowest drawers.
	<p><i>This is a permanent label. Do not remove!</i></p>

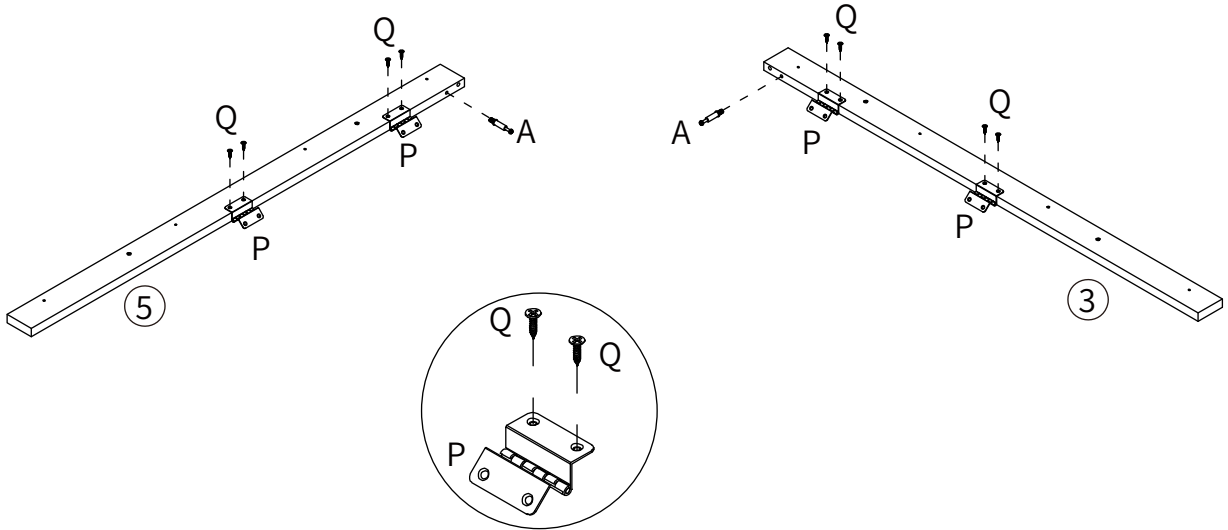
The installation direction should be aligned with the instructions to prevent plate breakage caused by product tipping during installation.






A x12  6x35mm	B x12  6x30mm	C x22  6x30mm	D x28  4x40mm	E x4  4x16mm	F x8  4x16mm	G x8  3x14mm
H x8  6x20mm	I x2  4x14mm	J x2  4x14mm	K x2  4x35mm	L x2  4x25mm	M x4  6x50mm	N x16  4x25mm
O x8  3x12mm	P x8  4x25mm	Q x32  4x25mm	R x2  4x25mm	S x4  4x25mm	T x6  4x25mm	U x2  4x25mm

Step 1

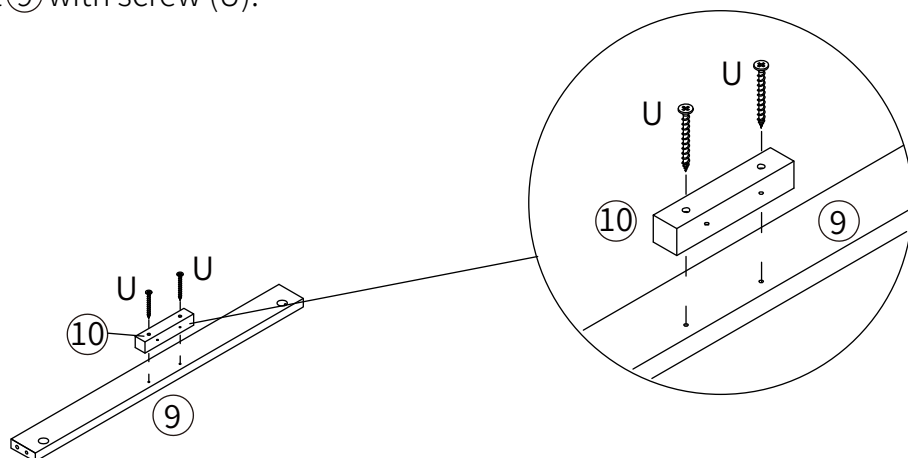
Install the hinge (P) on part ③ & ⑤ with screw (Q). Lock the screw (A) on part ③ & ⑤.




Q	x8	P	x4	A	x2
					

Step 2

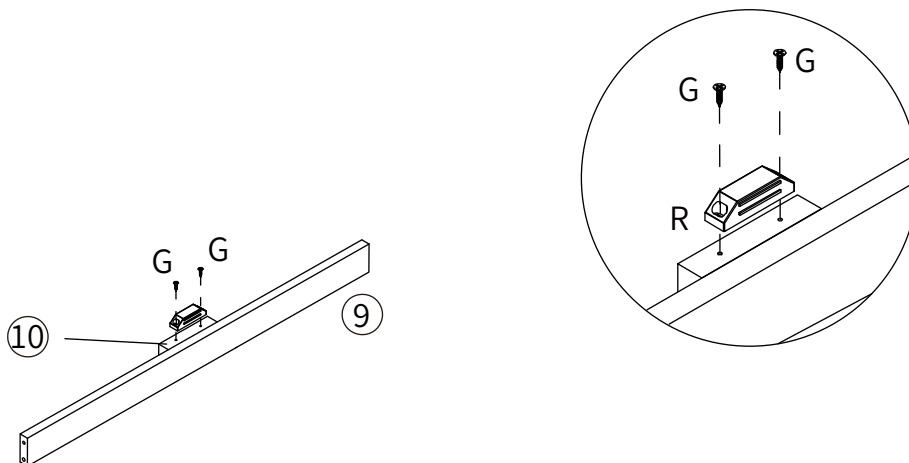
Lock part ⑩ to part ⑨ with screw (U).





U	x2
	

Step 3

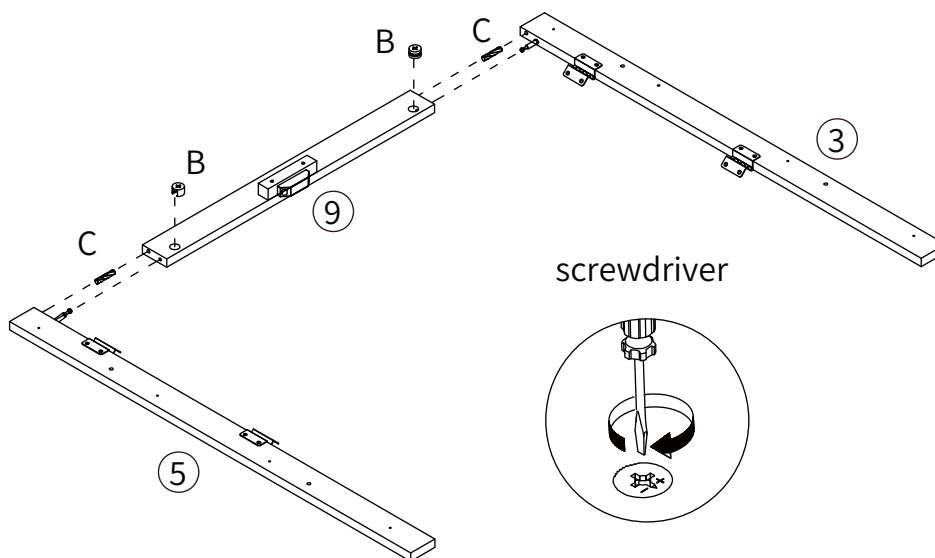
Lock part (R) to part ⑩ with screw (G).





G x2	R x1
	

Step 4

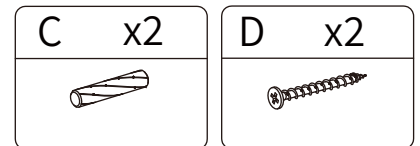
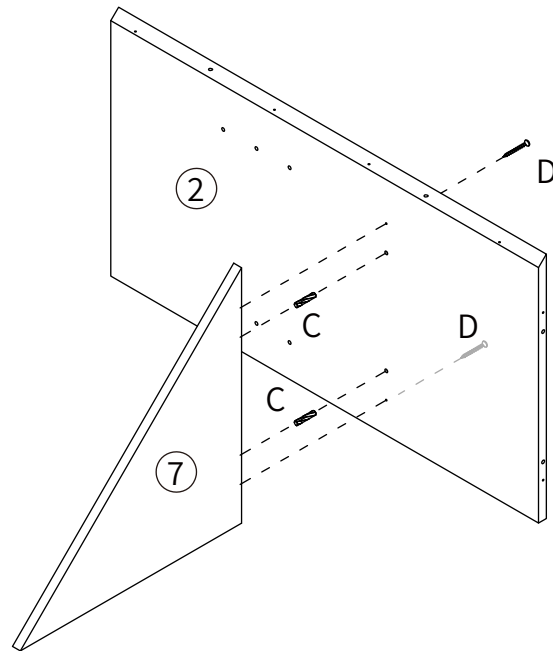
Insert the dowel (C) to part ⑨, attach part ⑤ & ③ with cam lock (B), insert cam lock (B) into the corresponding holes on part ⑨, then use a screwdriver to turn it clockwise to tighten, the installation position is as shown below.



C x2	B x2
	

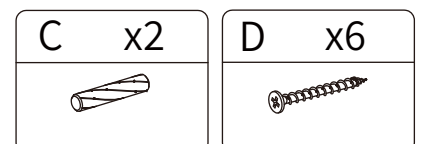
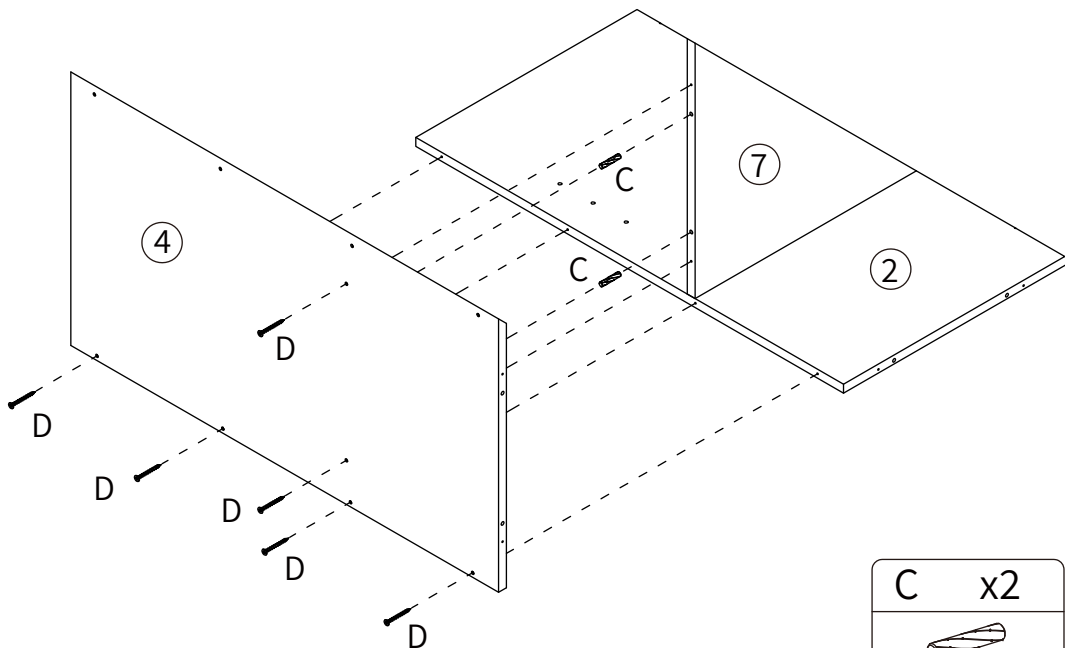
Step 5

Insert the dowel (C) to part ⑦, then attach part ⑦ & ② with screw (D).



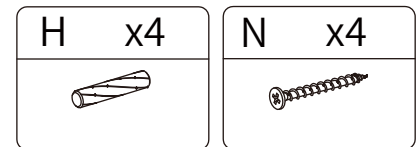
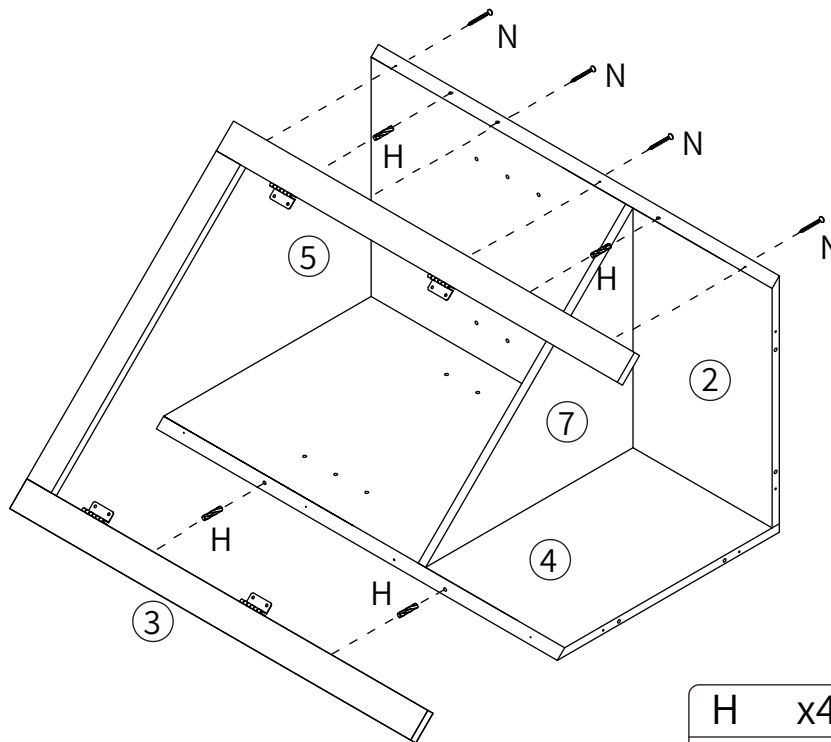
Step 6

First insert the dowel (C) to part ⑦, then connect part ④ to part ② & ⑦ with screw (D).



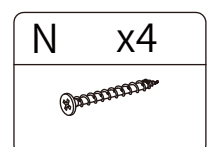
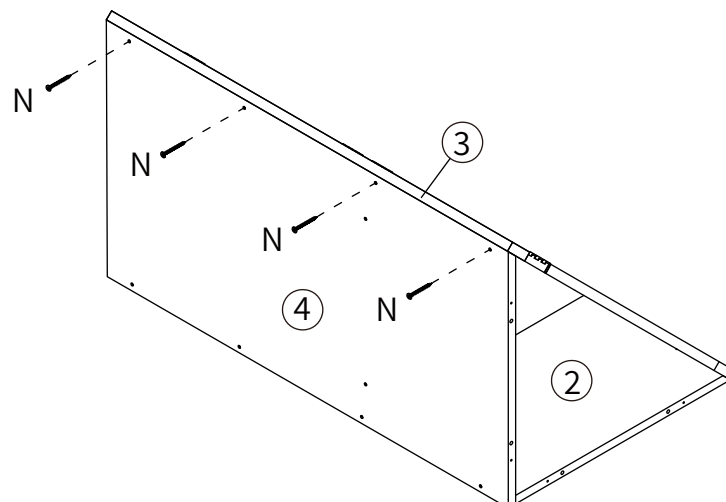
Step 7

Insert the dowel (H) to the part ②&④, then connect the part ⑤&② with screw (N).

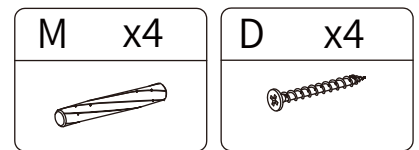
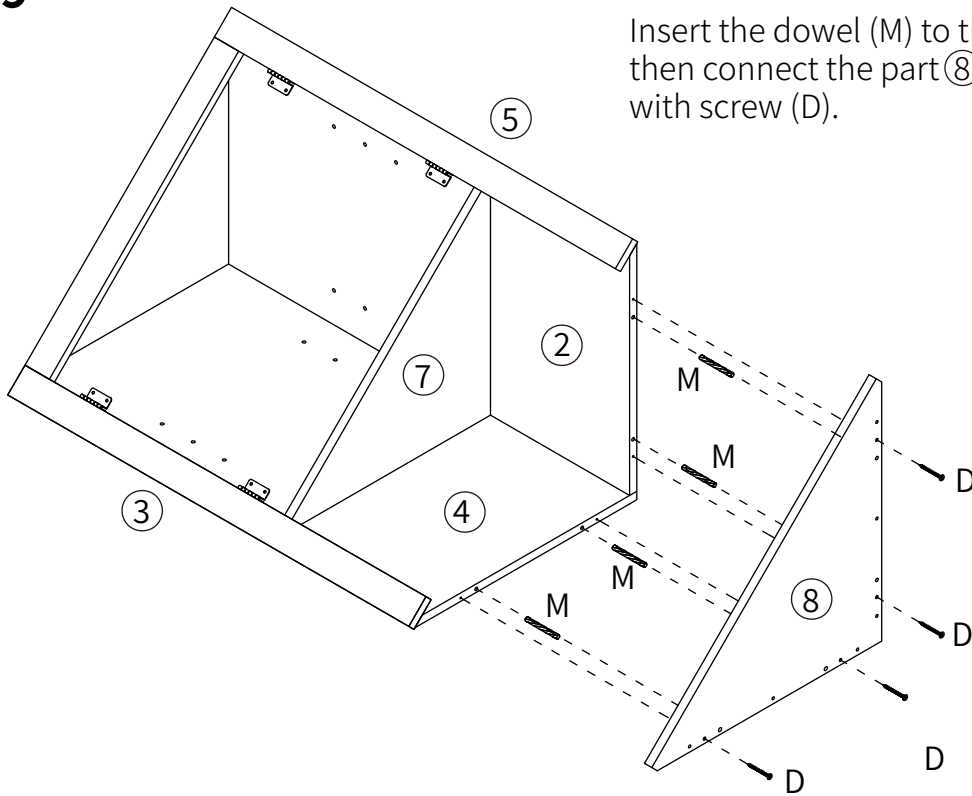


Step 8

Connect the part ④&③ with screw (N).

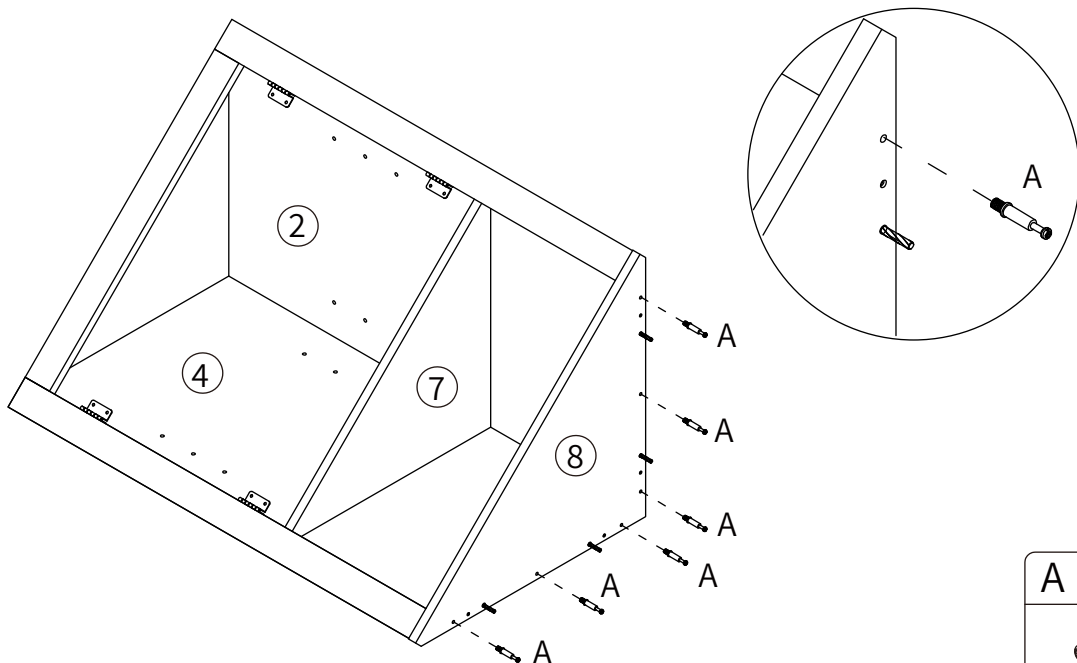


Step 9



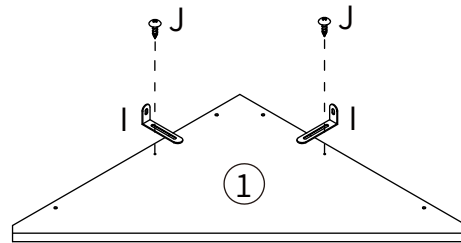
Step 10

Assemble part A to part ⑧, the installation position is as shown below.

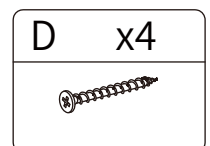
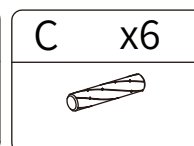
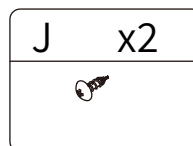
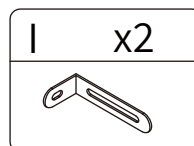
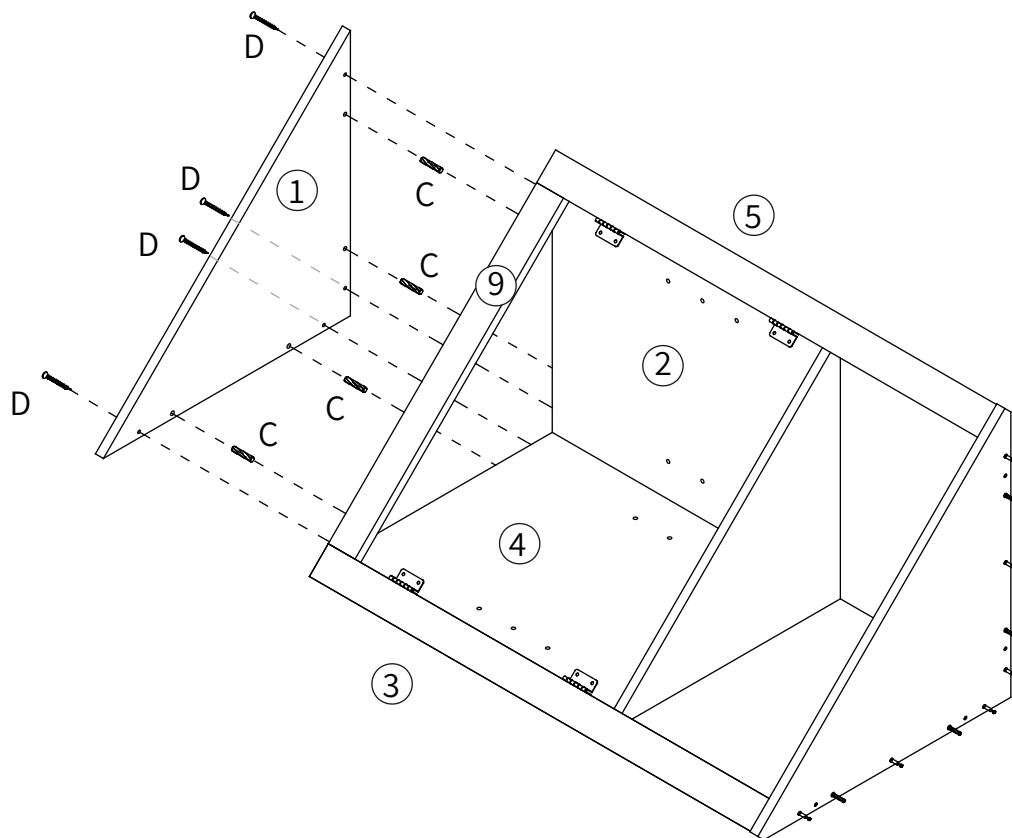


Step 11

Lock the L-shape iron piece (I) to part ① with screw (J).

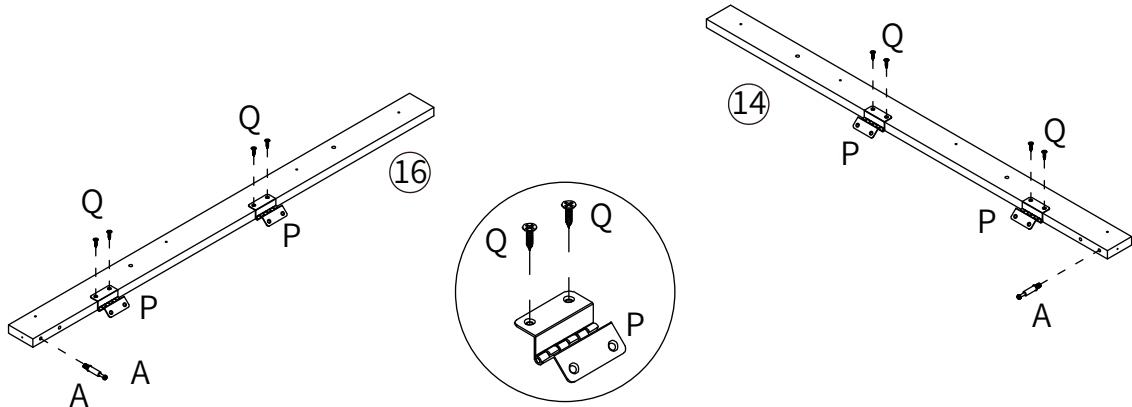





First insert the dowel (C) into the part ② & ④ & ⑨, then connect the part ① to part ② & ④ & ⑨ with screw (D).



Step 12

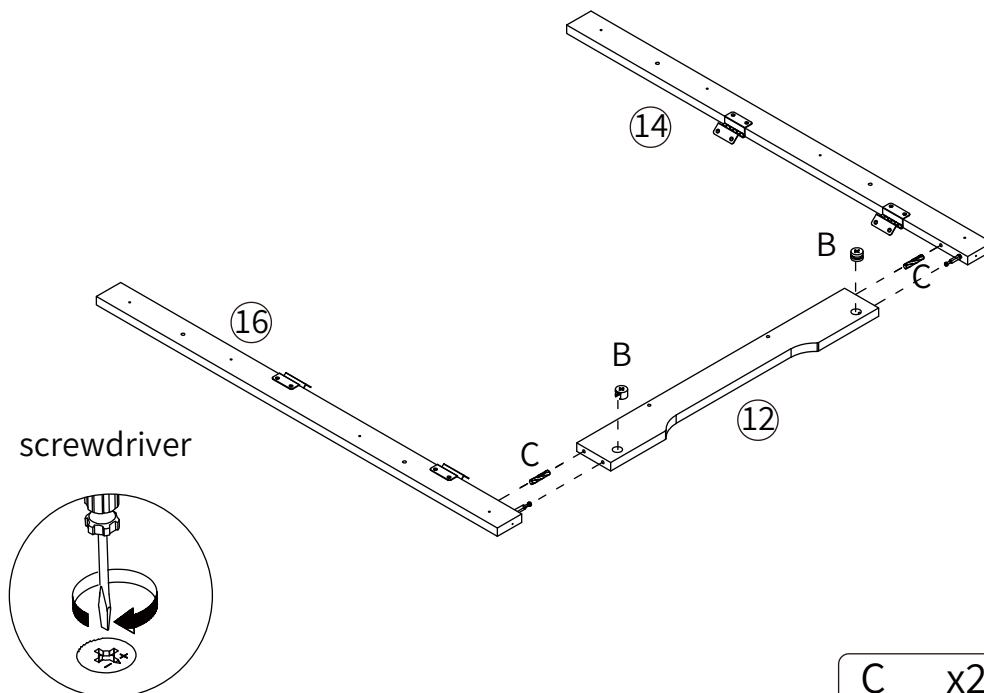
Lock the hinge (P) to the part ⑭ & ⑮ with screw (Q), then install screw (A) on the part ⑭ & ⑮.





Q x8	P x4	A x2
		

Step 13

First insert the dowel (C) to the part ⑫ and connect the part ⑭ & ⑮ with cam lock (B), insert cam lock (B) into the corresponding holes on part ⑫ and use a screwdriver to turn it clockwise to tighten, the installation position is as shown.

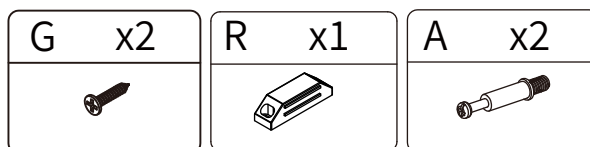
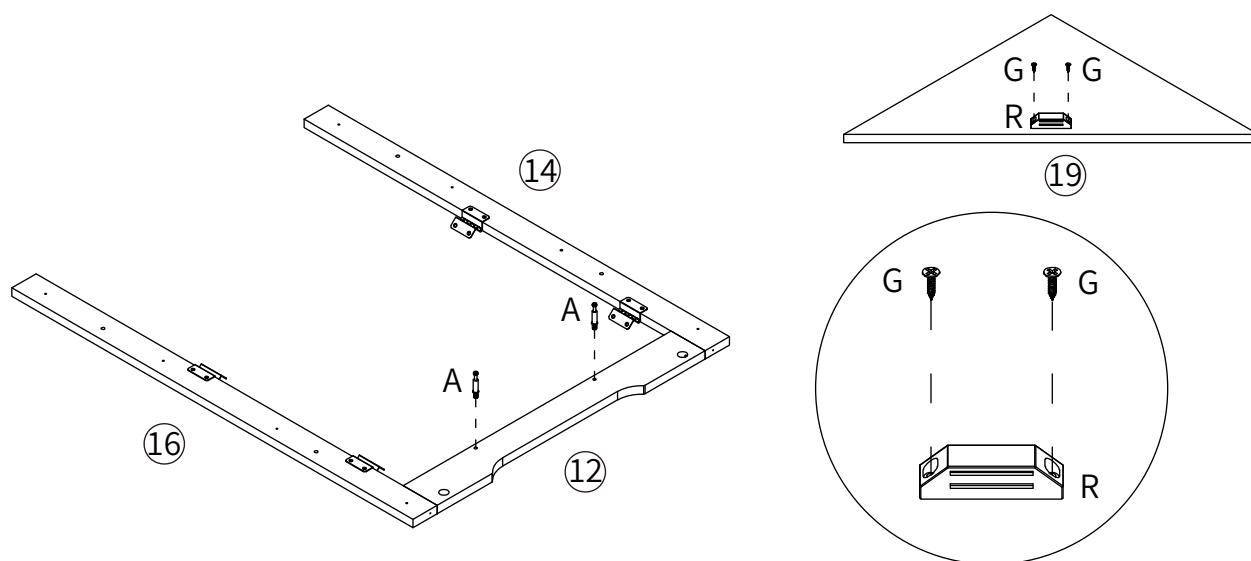


C x2	B x2
	

Step 14

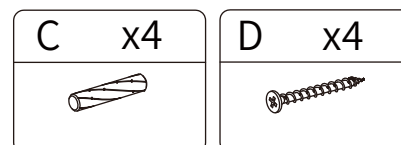
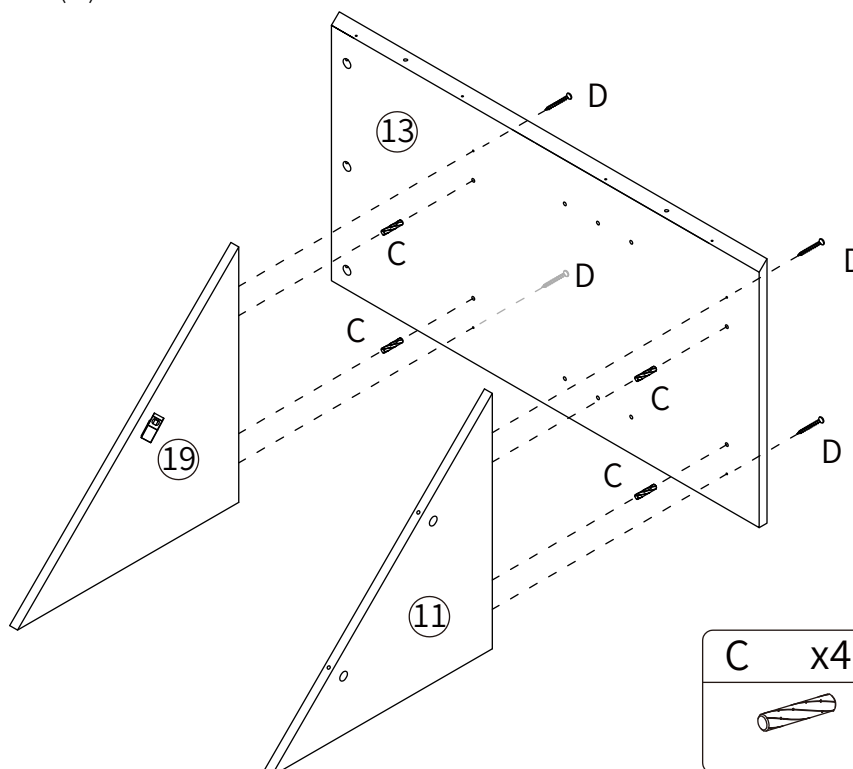
Install the screw (A) on the part ⑫.

Assemble (R) into the part ⑲ with screw (G).



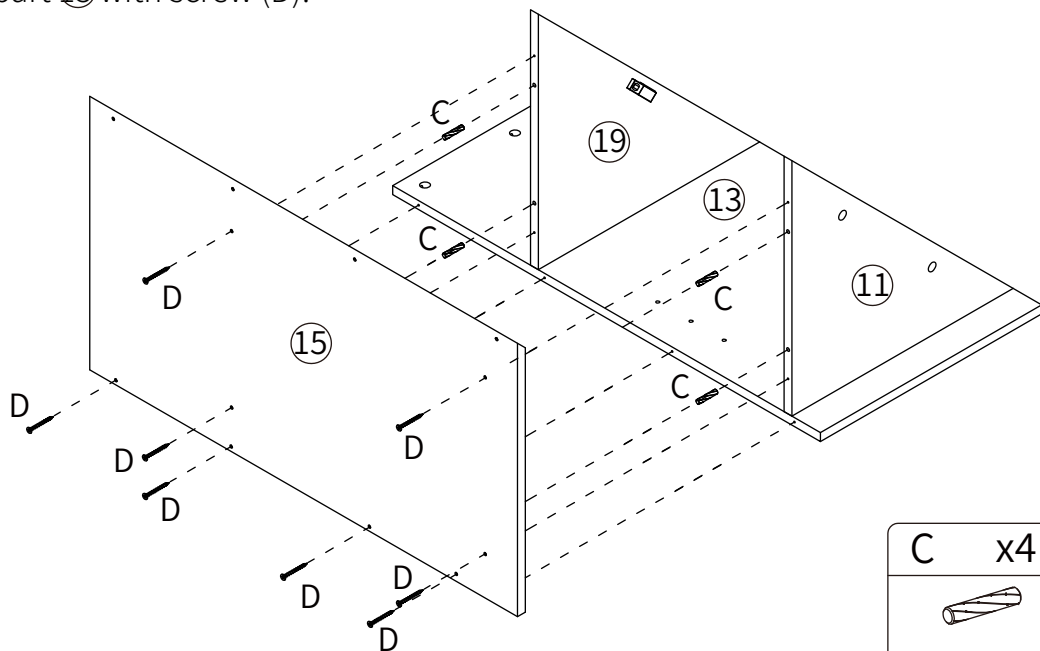
Step 15

First insert the dowel (C) into the part ⑪ & ⑲, then attach to the part ⑬ with screw (D).



Step 16

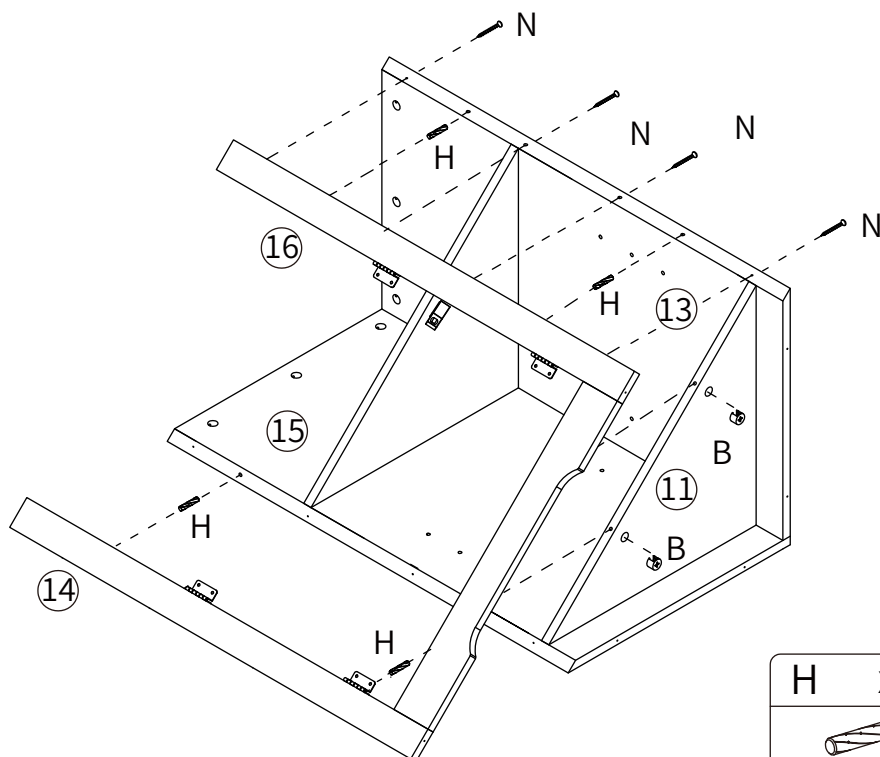
First insert the dowel (C) into the part ⑪ & ⑲, then attach to the part ⑮ with screw (D).



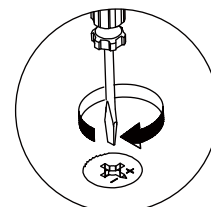
C	x4	D	x8

Step 17

First insert the screw (H) into the part ⑬ & ⑮ and connect to the part ⑬ & ⑯ with screw (N). then insert cam lock (B) into the corresponding holes on part ⑪ and use a screwdriver to turn it clockwise to tighten, the installation position is as shown.



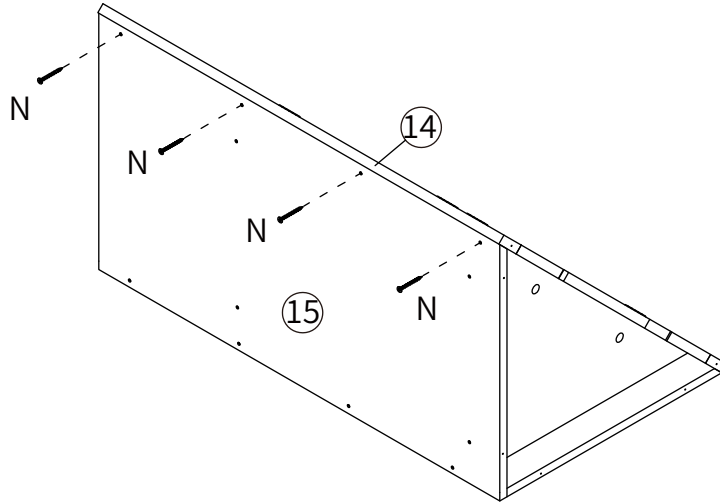
screwdriver



H	x4	N	x4	B	x2

Step 18

Connect part ⑮ & ⑭ with screw (N).

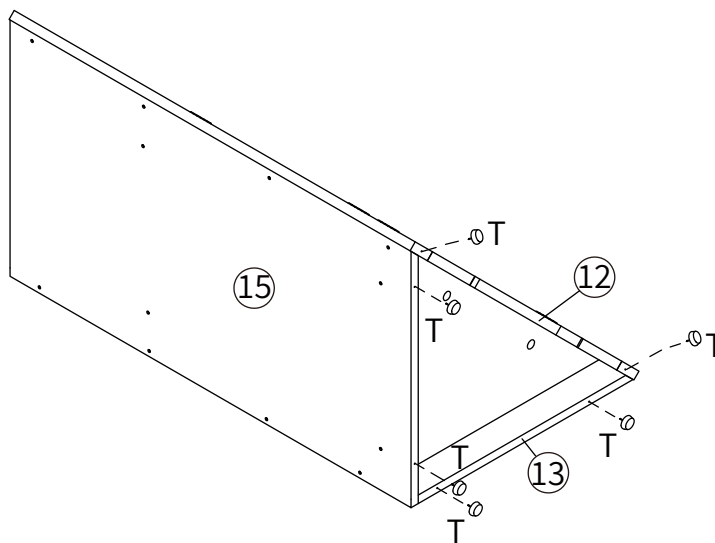


N x4



Step 19

Insert the leg cap (T) at the bottom of part ⑫ & ⑬ & ⑮.

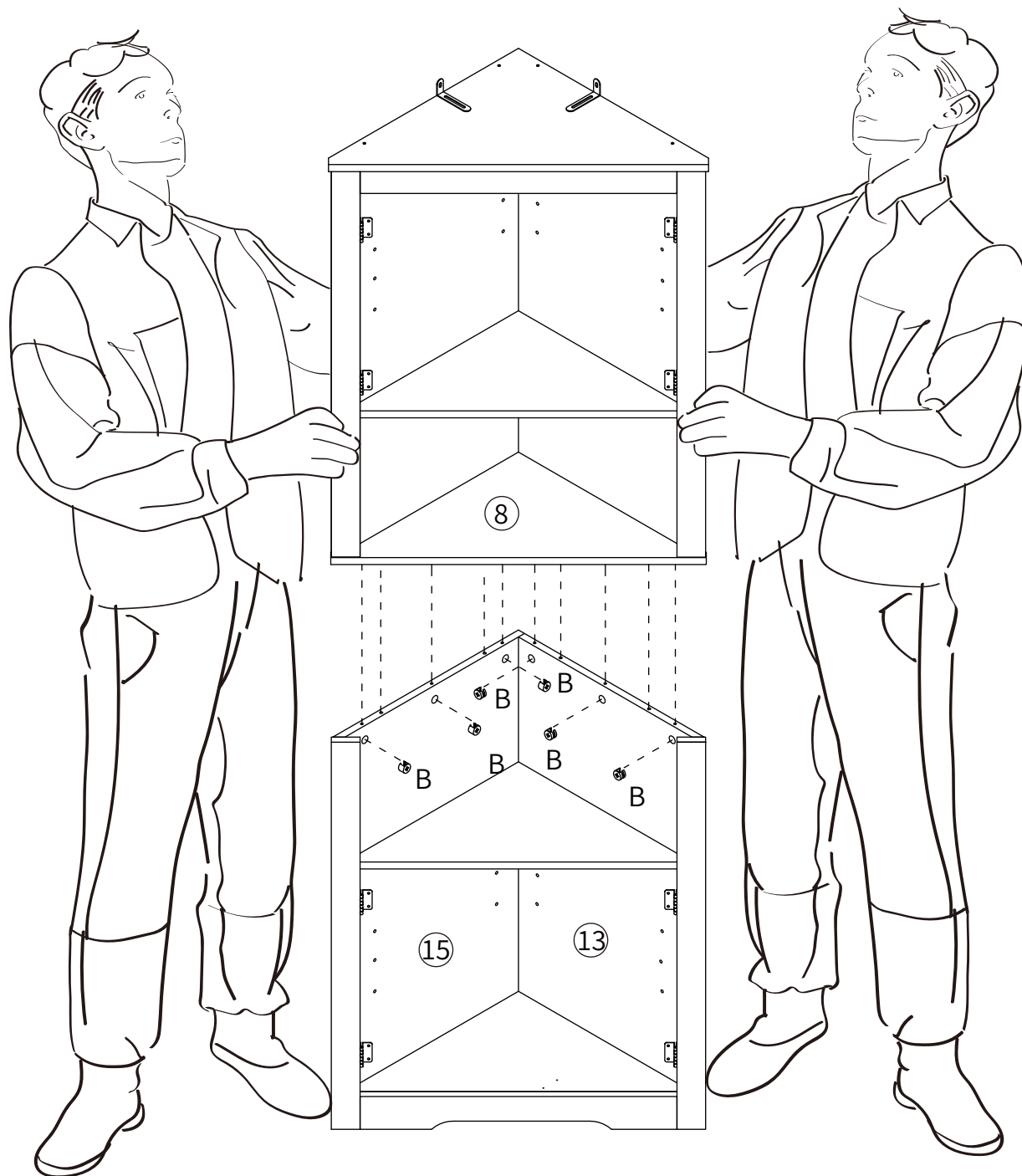


T x6

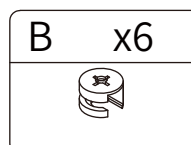
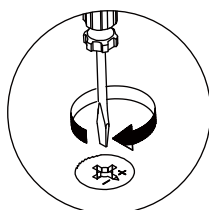


Step 20

Insert cam lock (B) into the corresponding holes on part ⑬ & ⑮ and use a screwdriver to turn it clockwise to tighten, the installation position is as shown.

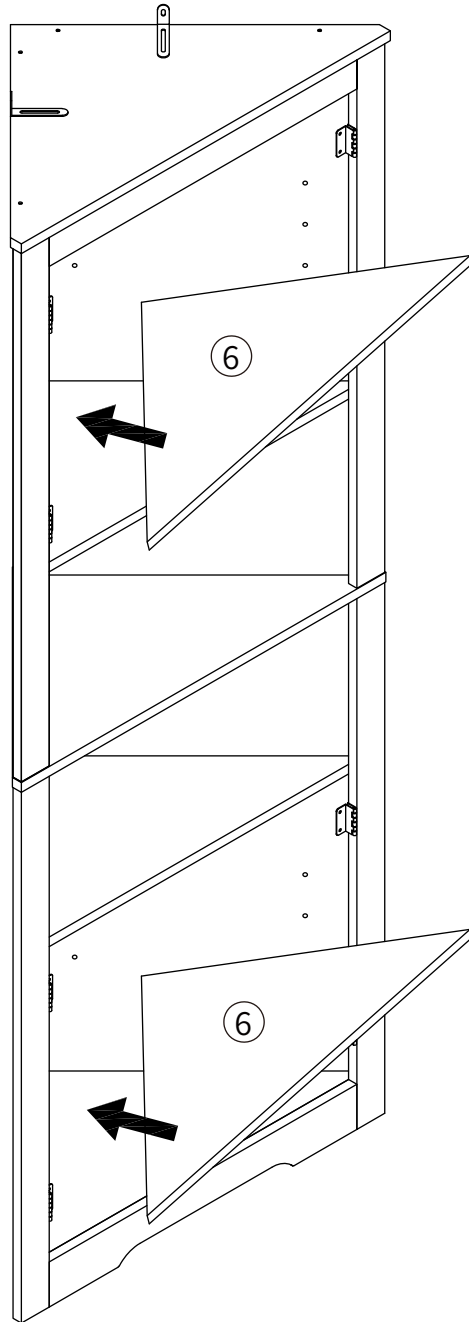


screwdriver



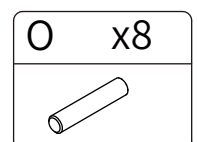
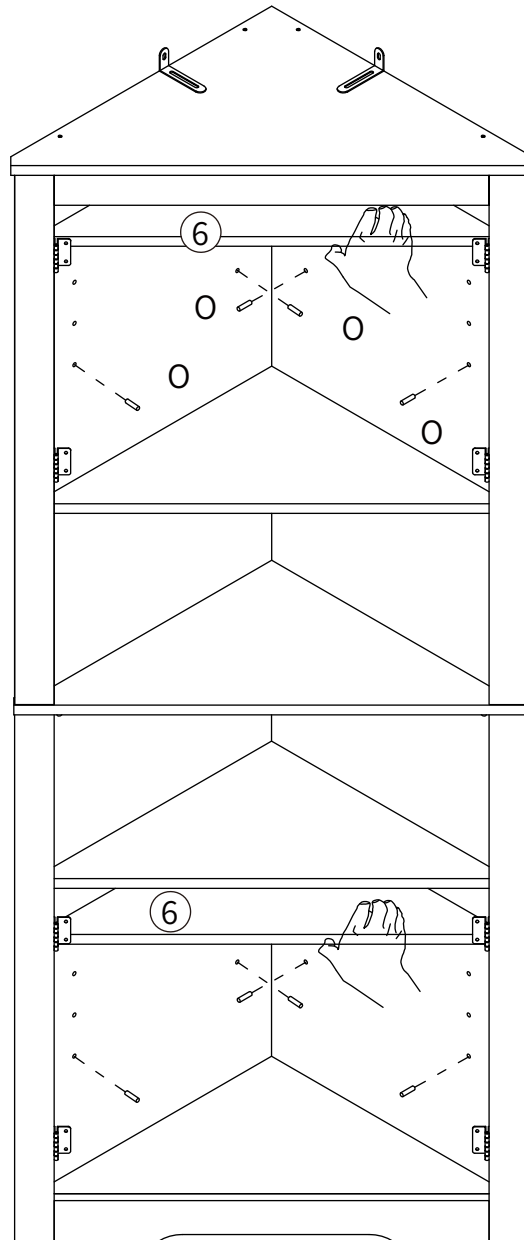
Step 21

First, insert the part ⑥ at an incline into the cabinet (holding it by hand above the side hole position).



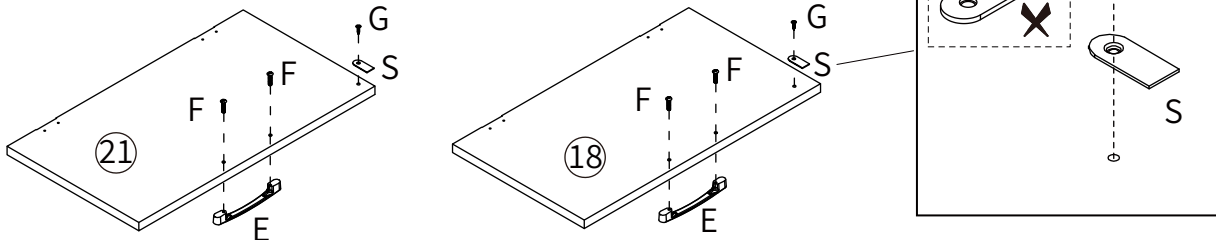
Step 22

First, insert the part ⑥ at an incline into the cabinet (holding it by hand above the side hole position). Then, insert (O) into the corresponding holes, and finally place the part ⑥ on (O).

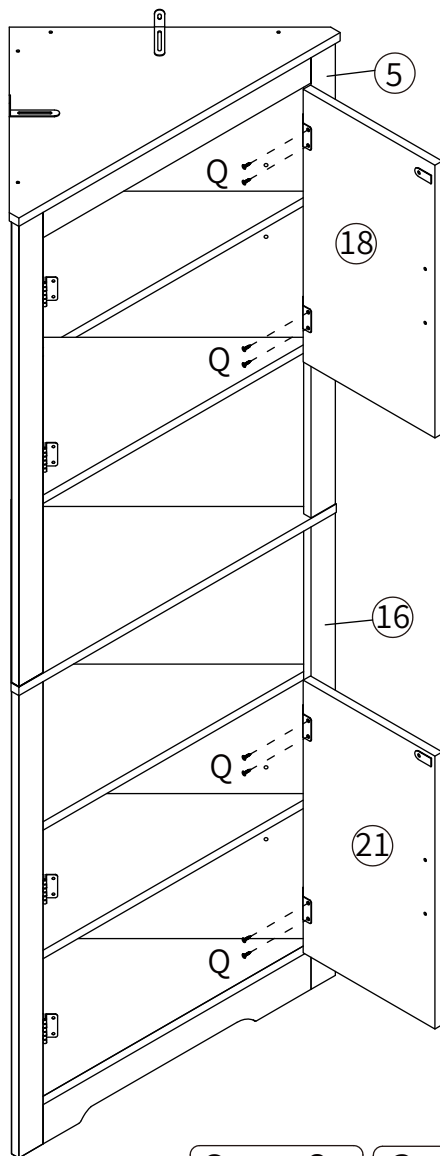







Step 23

Install the handle (E) & plate (S) on the part 18 & 21 with screw (F) & (G).



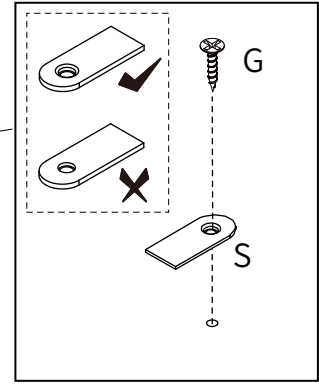
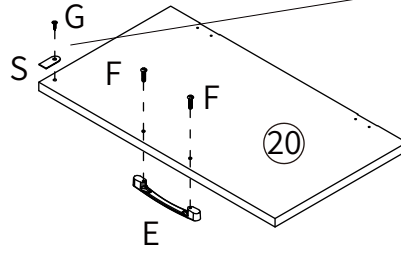
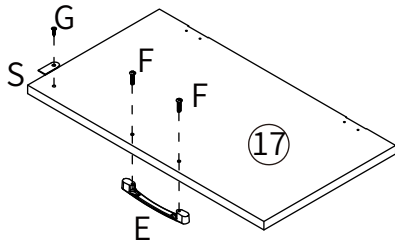
Install hinge (P) on part 5 & 18 and part 16 & 21 with screw (Q).



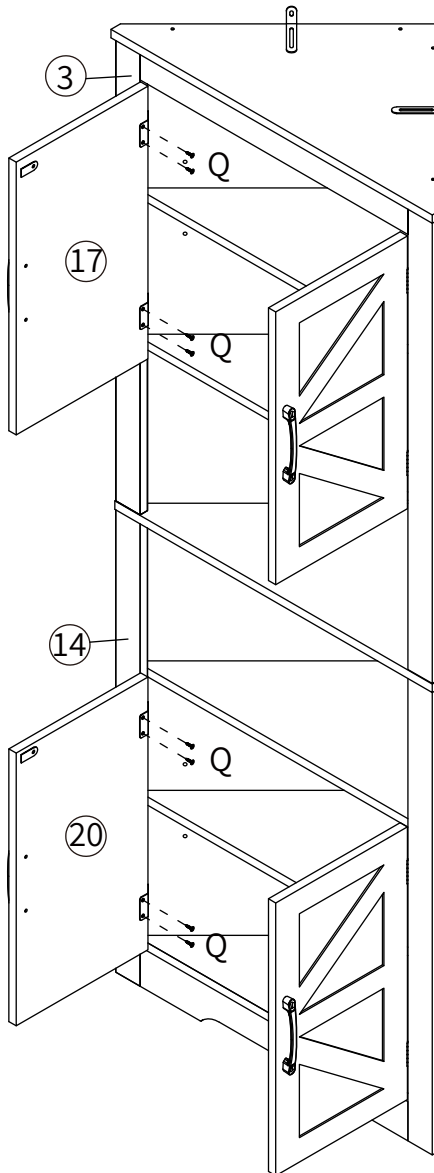
S x2	G x2	Q x8	E x2	F x4
				






Step 24

Install the handle (E) & plate (S) on the part ⑰ & ⑳ with screw (F) & (G).



Install hinge (P) on part ③ & ⑰ and part ⑭ & ⑳ with screw (Q).



S x2	G x2	Q x8	E x2	F x4
				

Step 25

First drill holes on the wall where it is placed, then use expansion screw (L) to fix the cabinet with screw (K). The installation location is as shown.

