

# ASSEMBLY INSTRUCTIONS

## CHAIR

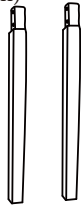
**DIMENSION:W21.65" x D25.98" x H 36.61"**

### PART LIST

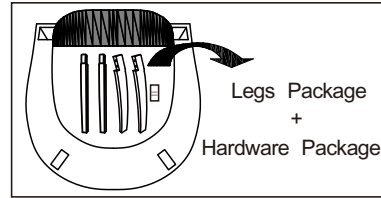
**DO NOT FULLY TIGHTEN SCREWS AND BOLTS UNTIL THE ENTIRE ITEM IS COMPLETELY ASSEMBLED**

**(A)** Back assembly  
(1pc)

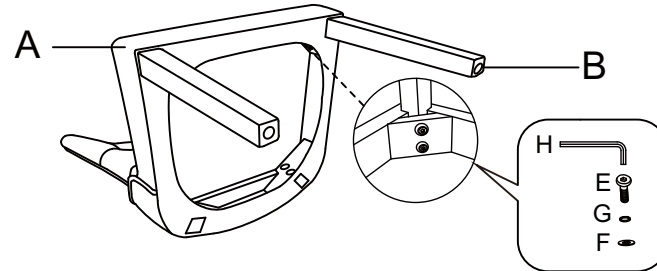
**(B)** Front legs-(2pcs)  
(put inside seat  
cushion)



**NOTICE**

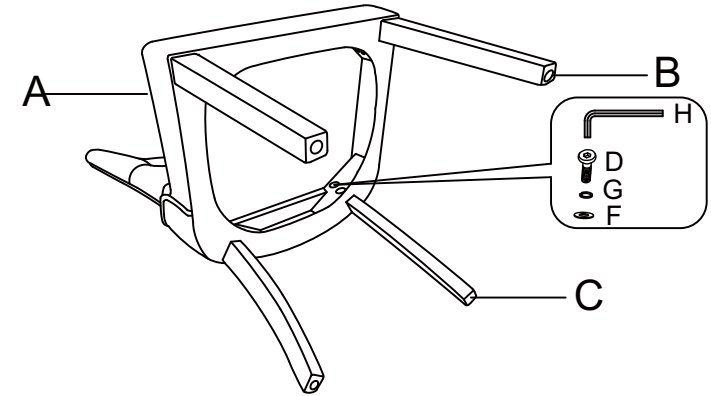


**STEP 1**



Step1:Put the screws in the holes,tighten the screws,but not too tighten,90% is ok.

**STEP 2**



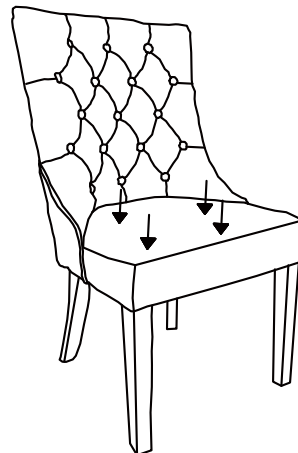
Step 2:Put the screws in the holes,tighten the screws,but not too tighten,90% is ok.

**(C)** Back legs-(2pcs)  
(put inside seat  
cushion)



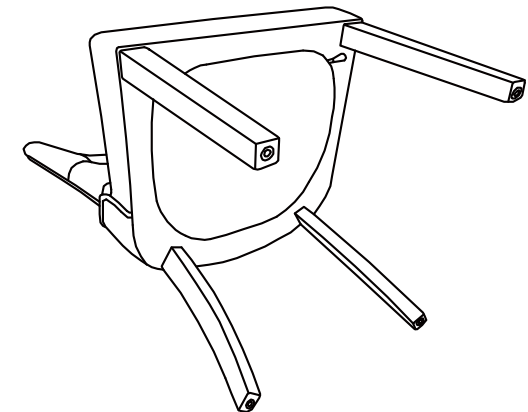
### HARDWARE LIST

**STEP 3**



Step 3: Then adjust the balance of this chair,tighten all the screws to100%.

**STEP 4**



Step4 :Finally,stick the non-woven cover underneath the seat.

Screw D



(1) M8X55MM  
(4PCS)

Screw E



(2) M8X65MM  
(4PCS)

Flat washer F



(3) 8pcs

Spring washer G



(4) 8pcs

Allen key H



(5) M8  
1PC