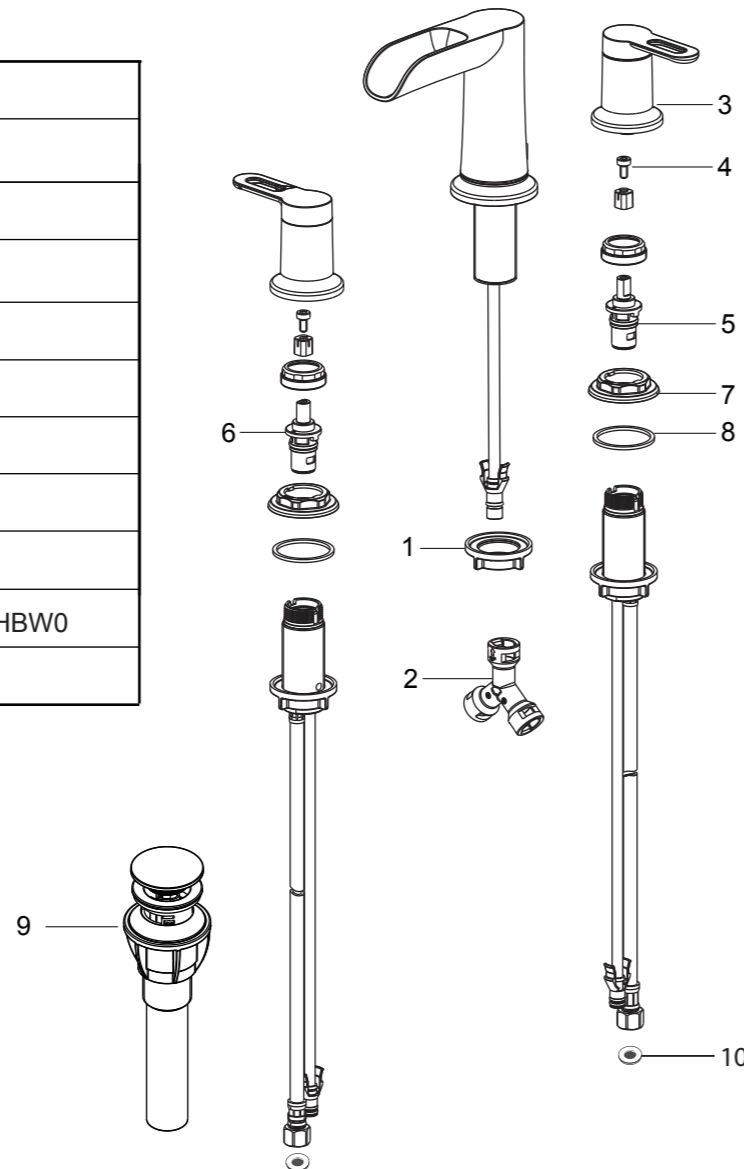


UF57200  
UF57203  
UF57205  
UF57207

NO.	Description	Part No.
1	Lock Nut	5T1005200PL0
2	Tee Connector	5J0038800PL0
3	Handle Assembly	5Y0300500CP0
4	Set Screw	5T0001700NT0
5	Cartridge Assembly-Cold	5D8003600PL0
6	Cartridge Assembly-Hot	5D8003500PL0
7	Flange	5N0063900PL0
8	O-ring	5R4005900PL0
9	Push Pop-Up Assembly	5Y0161903CP/PSR/HA/HBW0
10	Filter Screen	5R4R0196PL



### Limited Lifetime Warranty

Ultra Faucets warrants to the original purchaser that its products will be free from defects in workmanship and materials. All Ultra Faucets are provided with a life time limited warranty. This warranty does not cover any other labor or service charges associated with the removal, repair, or reinstallation of Ultra Faucets products. This express warranty does not apply to products that have been damaged as a result of misuse, abuse, negligence, accident, faulty installation or maintenance practices and/or used in any manner contrary to those recommended by the manufacturer.

**Need help?** Please call our toll-free customer service line at 1-888-658-5872 for additional assistance or service.  
**Besoin d'aide?** Veuillez communiquer avec notre service à la clientèle au numéro gratuit 1-888-658-5872 pour tous renseignements ou services complémentaires.

# Sozu Collection

Two-Handle Widespread Lavatory  
Faucet



## Installation/Installation/Instalación

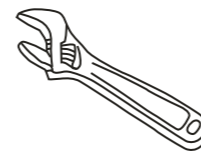
### CUSTOMER SERVICE

**TOLL-FREE 1-888-OK-ULTRA (658-5872)**

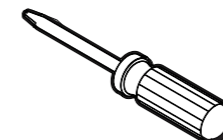
**UF57200 - Polished Chrome**  
**UF57203 - PVD Brushed Nickel**  
**UF57205 - Oil Rubbed Bronze**  
**UF57207 - Matte Black**



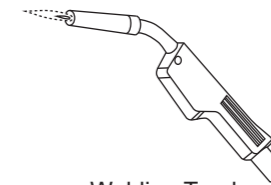
### Tools You Will Need / Outils dont vous aurez besoin / Herramientas necesarias



Adjustable Wrench  
Clé à molette  
Llave ajustable



Phillips Screwdriver  
Tournevis Phillips  
Destornillador cruciforme



Welding Torch  
Chalumeau (soudeur)  
Pistola



Groove joint pliers  
Pince multiprise  
Pinzas ajustables

### SAFETY TIPS

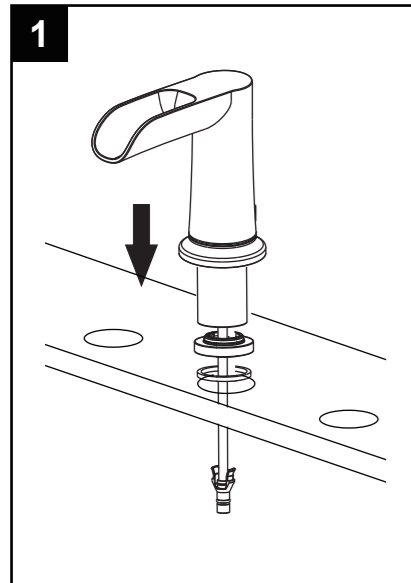
- If you use soldering for the installation of the faucet, the seats, cartridges and washers will have to be removed before using flame. Otherwise, warranty will be void on those parts.
- Cover your drain to avoid losing parts.
- 0°C~55°C.

### CONSIGNES DE SÉCURITÉ

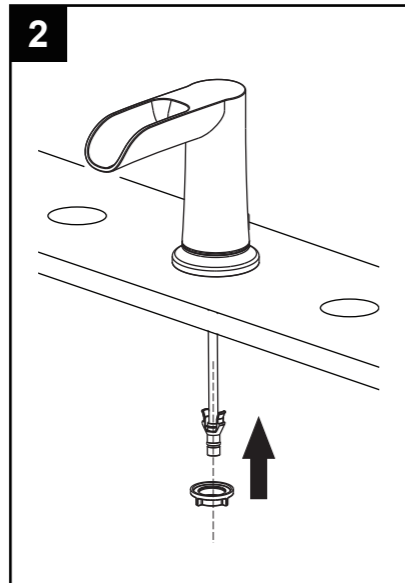
- Si vous posez le robinet par brasage, il est essentiel de retirer les sièges, les cartouches et les rondelles avant d'appliquer la flamme, faute de quoi la garantie sur ces pièces sera annulée.
- Couvrez le drain pour ne pas perdre des pièces.
- 0°C~55°C.

### CONSEJOS DE SEGURIDAD

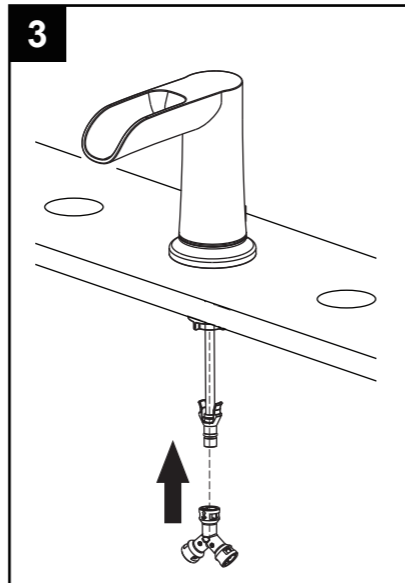
- En el caso de utilizar soldadura para instalar el grifo, remueva los asientos, cartuchos y arandelas antes de usar la llama. De lo contrario, se anulará la garantía para esos componentes.
- Tape la boca del desagüe para prevenir la pérdida de piezas pequeñas.
- 0°C~55°C.



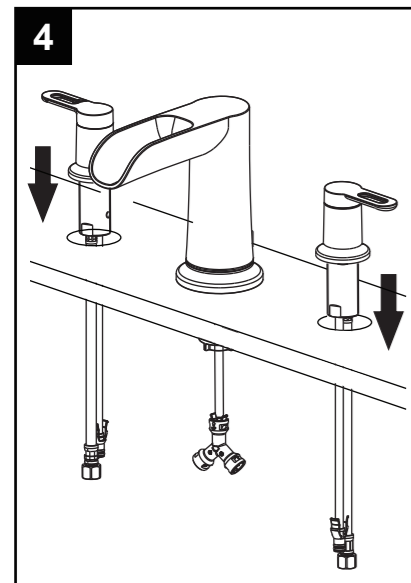
1  
Install the faucet through the mounting hole.



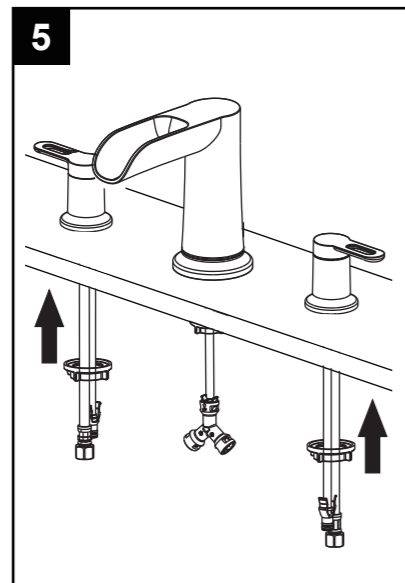
2  
Carefully tighten spout mounting hardware to secure faucet.



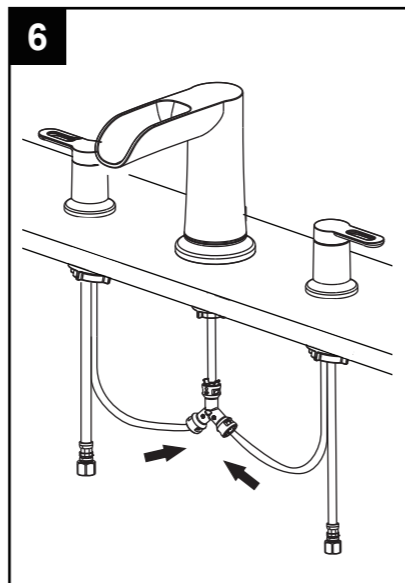
3  
Install the tee assembly.



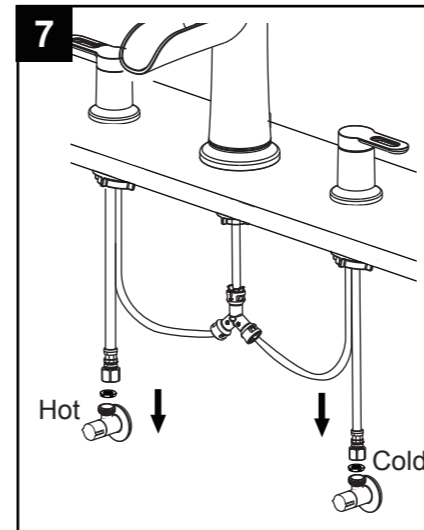
4  
Lower the handle assembly into the mounting hole.



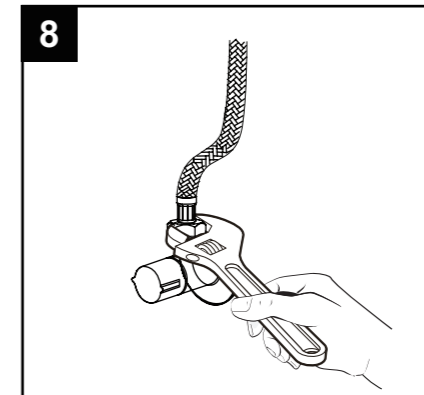
5  
Tighten the mounting nut to secure the handle.



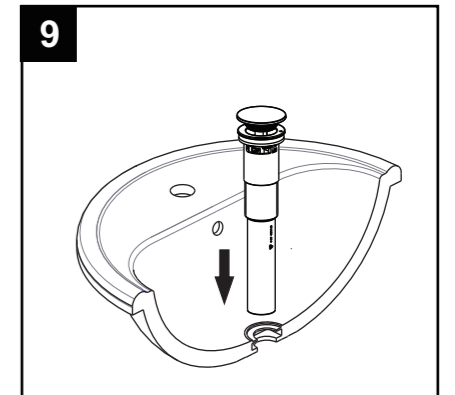
6  
Connect the inlet hose to the faucet body and water inlet.



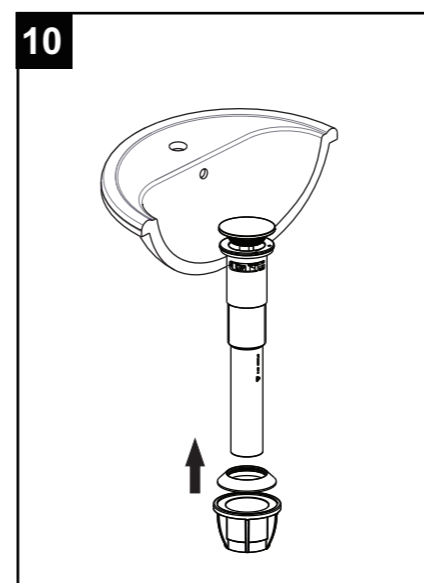
7  
Make sure the filter screens are seated correctly in the hose fittings before connecting the hoses to the shutoff valves.



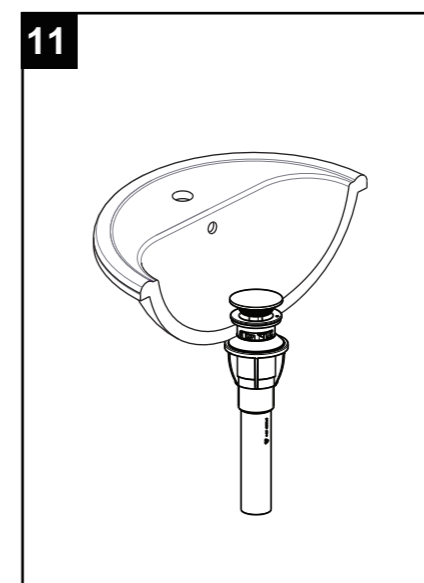
8  
Use an adjustable wrench to tighten the water supply hoses. **(IMPORTANT: Do not overtighten the connections.)** **(NOTICE: Sediment in the water will reduce the water flow over time, clean both filter screens regularly to can maintain proper water flow to the faucet)**



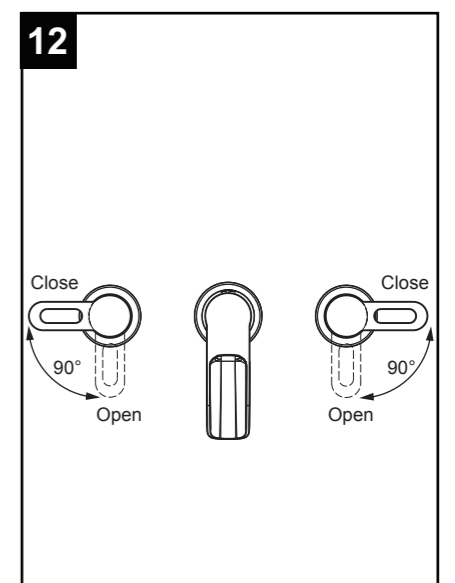
9  
Slide push drain down into drain hole.



10  
Tighten seal ring with plastic nut upwards and secure tight from below.



11  
Complete the assembly.



12  
Close  
90°  
Open  
Close  
90°  
Open