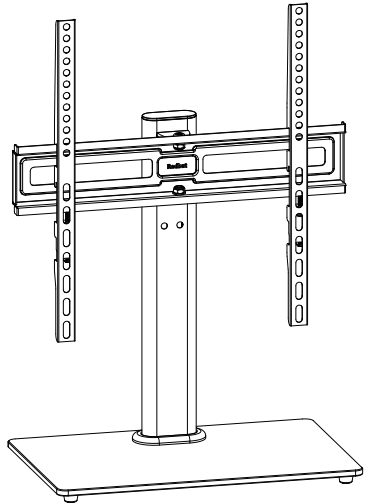


Redbat

MODEL NO.: RBST10



Love This Product?

Spread the word and leave us a review on [amazon](#)

USING NOTICE

- (1) This stand suitable for in-house use.
- (2) Please move this stand gently with two person.


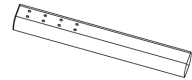

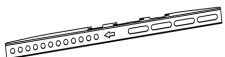




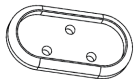
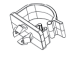

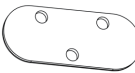
SAFETY WARNING






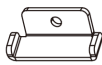




- (1) Don't climb or sit on the stand.
- (2) Don't place very hot or very cold things on the glass surface.
- (3) Don't touch the glass surface with hard and acute object.
- (4) Don't use causticity or powder contained cleanser to clean the glass surface.



Do not use electric screwdriver for assembling this product.

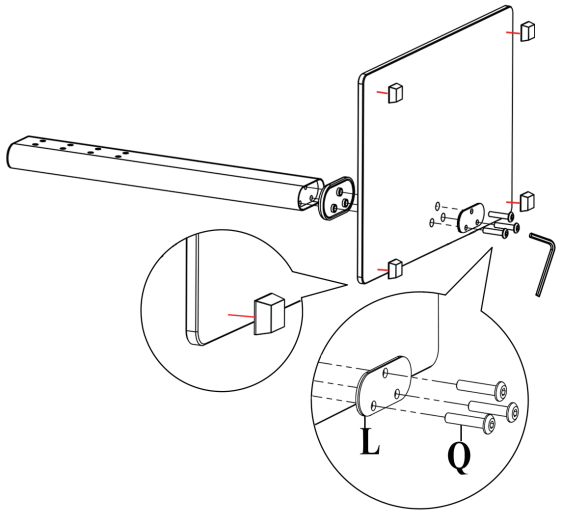
Parts check-list

| No. | Description | Qty. |
|-----|---|------|
| A |  | 1 |
| B |  | 1 |
| C |  | 1 |
| D |  | 2 |
| E |  | 2 |
| F |  | 4 |
| G |  M6 | 4 |
| H |  M8 | 2 |
| I |  | 1 |
| J |  Cable Clip | 2 |
| K |  | 2 |
| L |  | 1 |

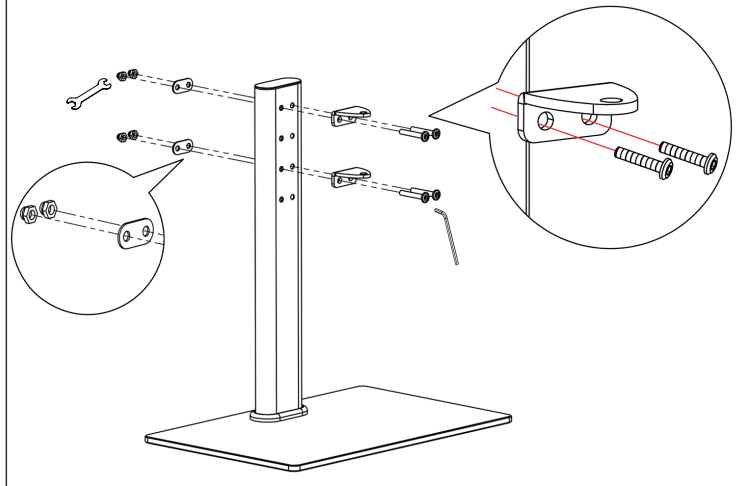
| No. | Description | Qty. |
|-----|--|------|
| M |  M6x40 Screw | 4 |
| N |  Ø16 | 4 |
| O |  Ø16 mm Plastic part | 2 |
| P |  M8x20 Screw | 2 |
| Q |  M6 x30 Screw | 3 |
| R |  | 2 |
| S |  M5 x30 Screw | 2 |
| T |  4mm Allen key | 1 |
| U |  5mm Allen key | 1 |
| V |  10 | 1 |

GUIDE TO ASSEMBLY

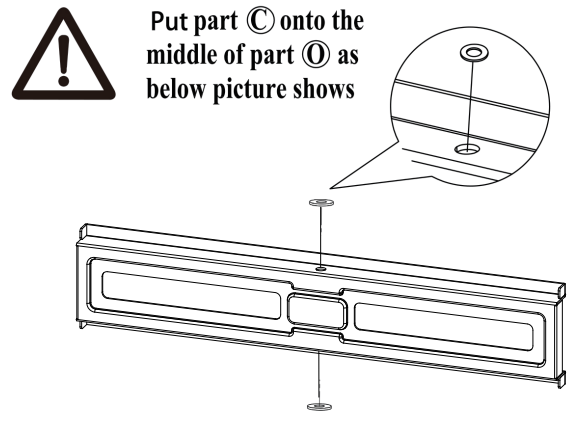
1 (A)+(B)+(F)x4+(L)x1+(Q)x3+(I)+(T)



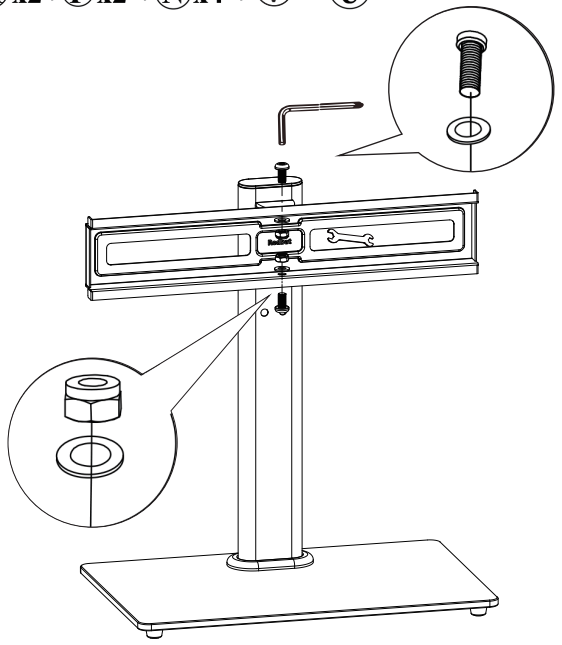
2 (E)x2+(K)x2+(M)x4+(G)x4+(T)+(V)



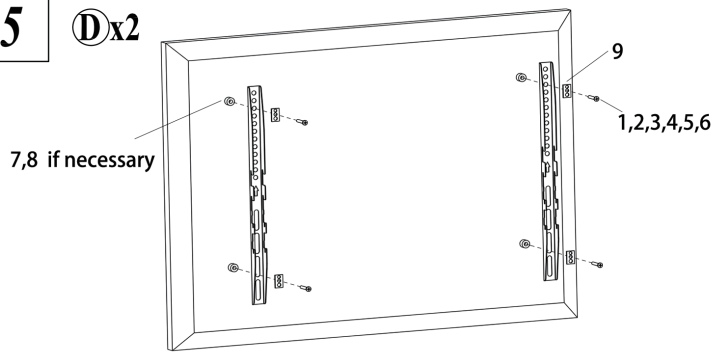
3 (C)+(O)x2



4 (H)x2+(P)x2+(N)x4+(V)+(U)



5 (D)x2



Choose right screws for TV

| No. | Part Description | Part Sketch Map | Qty |
|-----|------------------|-----------------|-----|
| 1 | M4X15 | | 4 |
| 2 | M4X30 | | 4 |
| 3 | M6X15 | | 4 |
| 4 | M6X30 | | 4 |
| 5 | M8X15 | | 4 |
| 6 | M8X45 | | 4 |
| 7 | 5mm | | 8 |
| 8 | 10mm | | 8 |
| 9 | Square Washer | | 4 |

Screws for TV (PACK)

6 (J)x2+(R)x2+(S)x2+(U)

