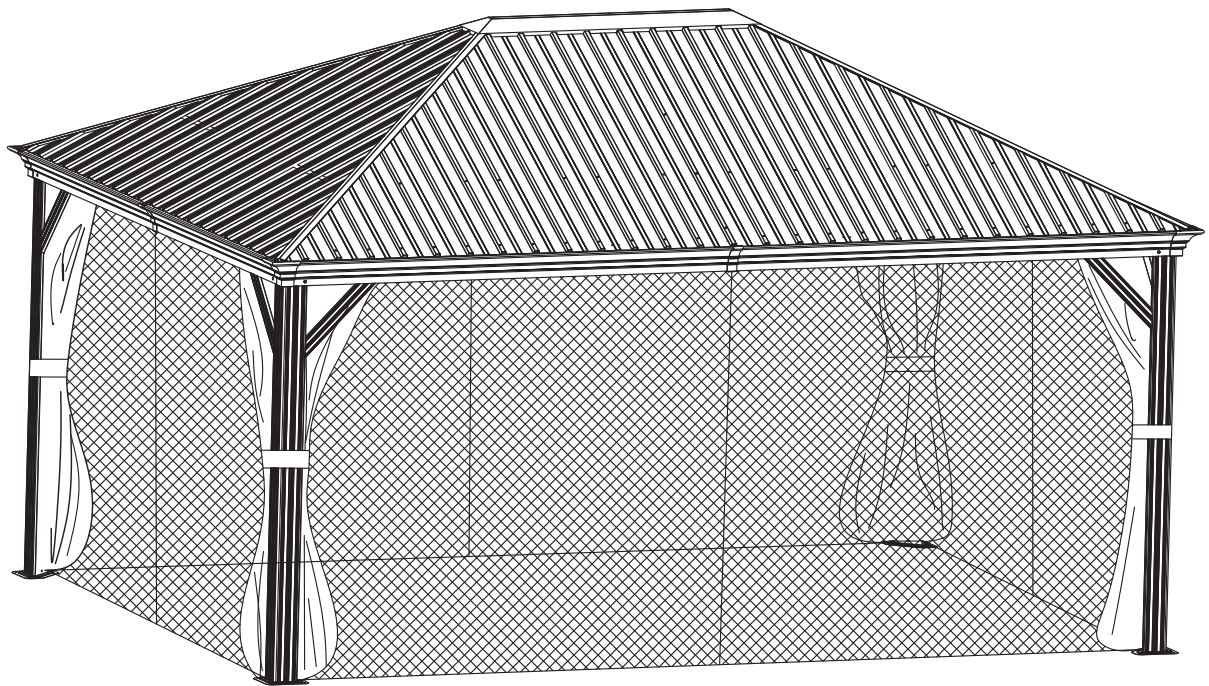


INSTRUCTION MANUAL

SKU: XWG-283MS

12FT X 16FT GAZEBO



Note: The gazebo needs to be installed in cooperation with four people. The following tools are not included and needed for assembly:



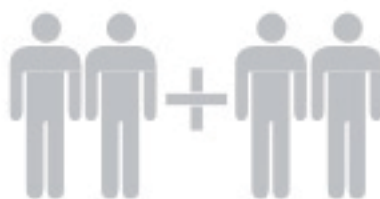
Pistol Drill



Tape Measure



2 m Adjustable Ladder

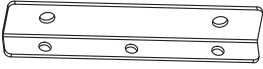

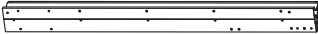
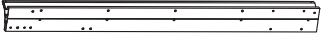
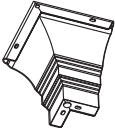
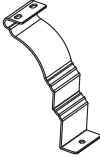
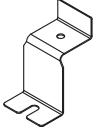


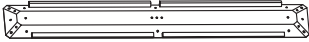
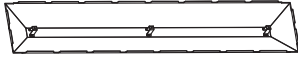
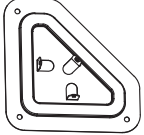
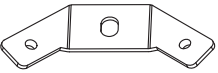

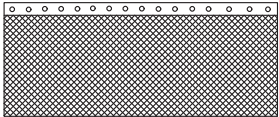


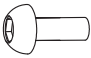
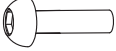
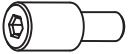


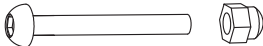
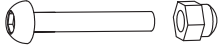


4 people

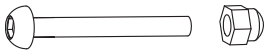
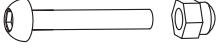


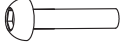
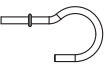
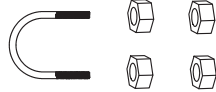
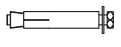

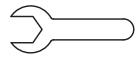
Warning

1. Four person assembly is required for this gazebo.
2. Please take appropriate actions as heavy rain, wind and snow can damage the gazebo. If necessary please disassemble and store for later use.
3. In snowy conditions, please do not allow the thickness of the snow to be more than 5 inches on the roof, this should be cleared as soon as possible for your safety. When the wind speed reaches 61.2km/h, please take measures to avoid the wind.


PARTS LIST (BOX A)

A1	A2	D	E
			
8 PCS	8 PCS	2 PCS	2 PCS
G	H	H1	J1
			
4 PCS	4 PCS	4 PCS	4 PCS
J2	K	K1	L
			
4 PCS	1 PC	1 PC	4 PCS
U6	U7	Y	Ya
			
4 PCS	6 PCS	4 PCS	4 PCS
Z1	1#	2#	3#
	 M6x16	 M6x20	
4 PCS	237 PCS	16 PCS	16 PCS
4#	5#	6#	7#
	 M6x23	 M6x47	 M6x42
128 PCS	84 PCS	40 PCS	8 PCS



PARTS LIST (BOX A)

6#  M6x47 40 PCS	7#  M6x42 8 PCS	8#  M5x16 40 PCS	9#  ST4.8x13 24 PCS
10#  M6x23 4 PCS	12#  2 PCS	13#  1 PC	14#  M6x50 12 PCS
 2 PCS	 1 PC		











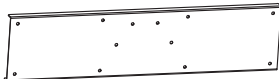



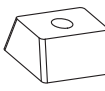






PARTS LIST (BOX B)

A  4 PCS			
---	--	--	--




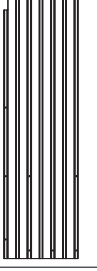
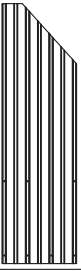


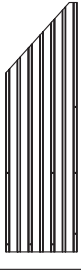


PARTS LIST (BOX C)

B  2 PCS	C  2 PCS		
--	--	--	--

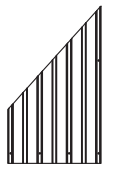
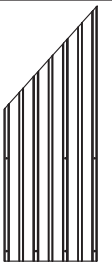
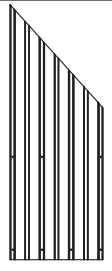

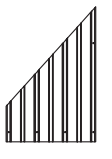
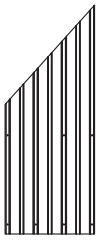
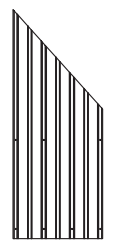
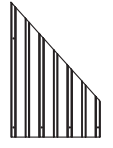
PARTS LIST (BOX D)

B1	B2	B3	C1
			
2 PCS	2 PCS	2 PCS	2 PCS
C2	C3	D1	D2
			
2 PCS	2 PCS	2 PCS	2 PCS
E1	E2	F	M
			
2 PCS	2 PCS	4 PCS	4 PCS
N	N1	S	U1
			
4 PCS	4 PCS	136 PCS	2 PCS
U2	U3	U4	U5
			
2 PCS	2 PCS	2 PCS	2 PCS
Z			
			
72 PCS			




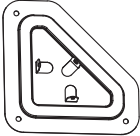
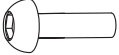
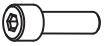
PARTS LIST (BOX E)

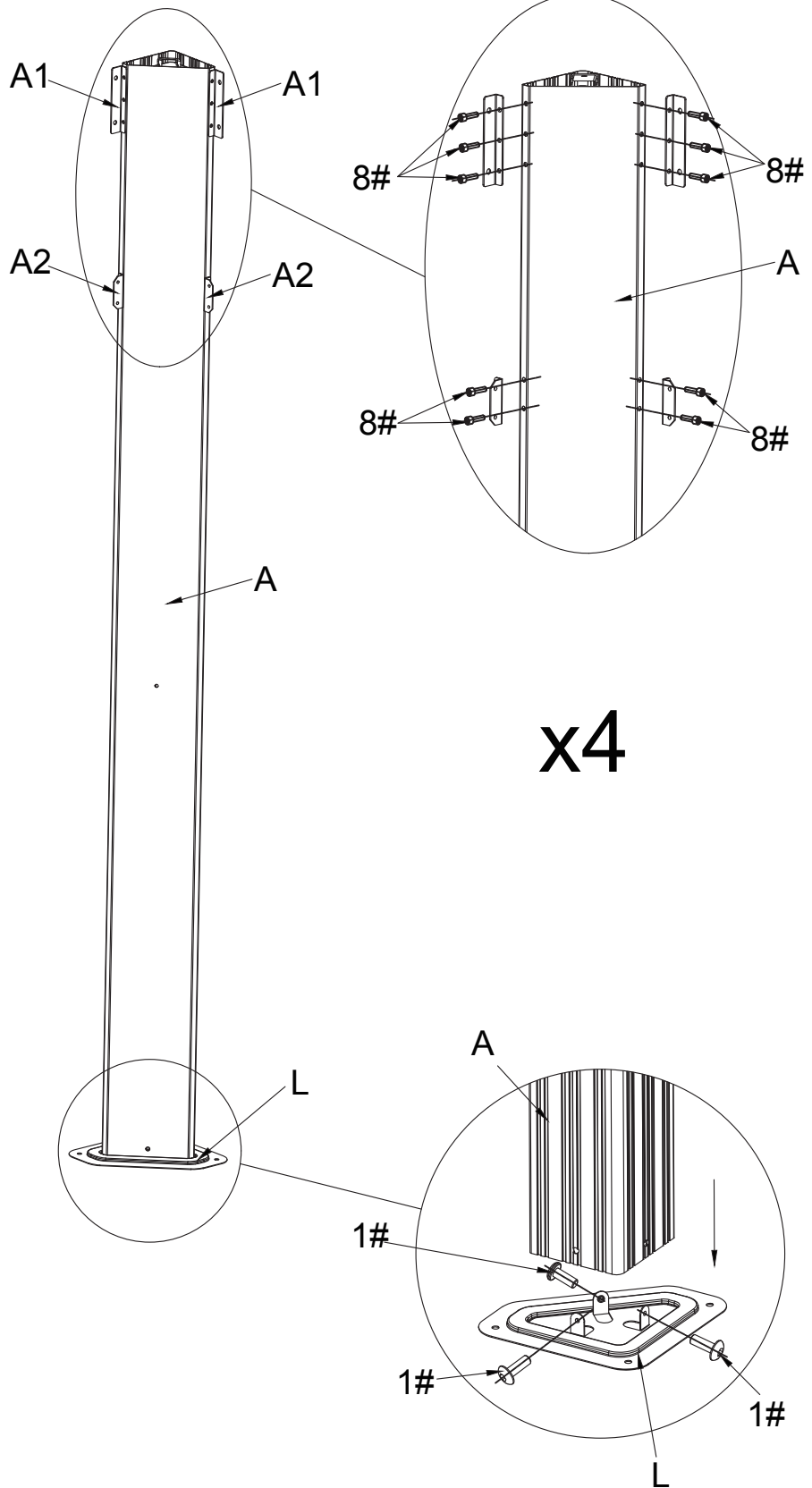
X1	X4	X5	X6
			
2 PCS	2 PCS	2 PCS	2 PCS
X7	X10	W1	W4
			
2 PCS	2 PCS	2 PCS	2 PCS
W5	W8		
			
2 PCS	2 PCS		










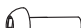
PARTS LIST (BOX F)

X2	X3	X8	X9
			
2 PCS	2 PCS	2 PCS	2 PCS
W2	W3	W6	W7
			
2 PCS	2 PCS	2 PCS	2 PCS

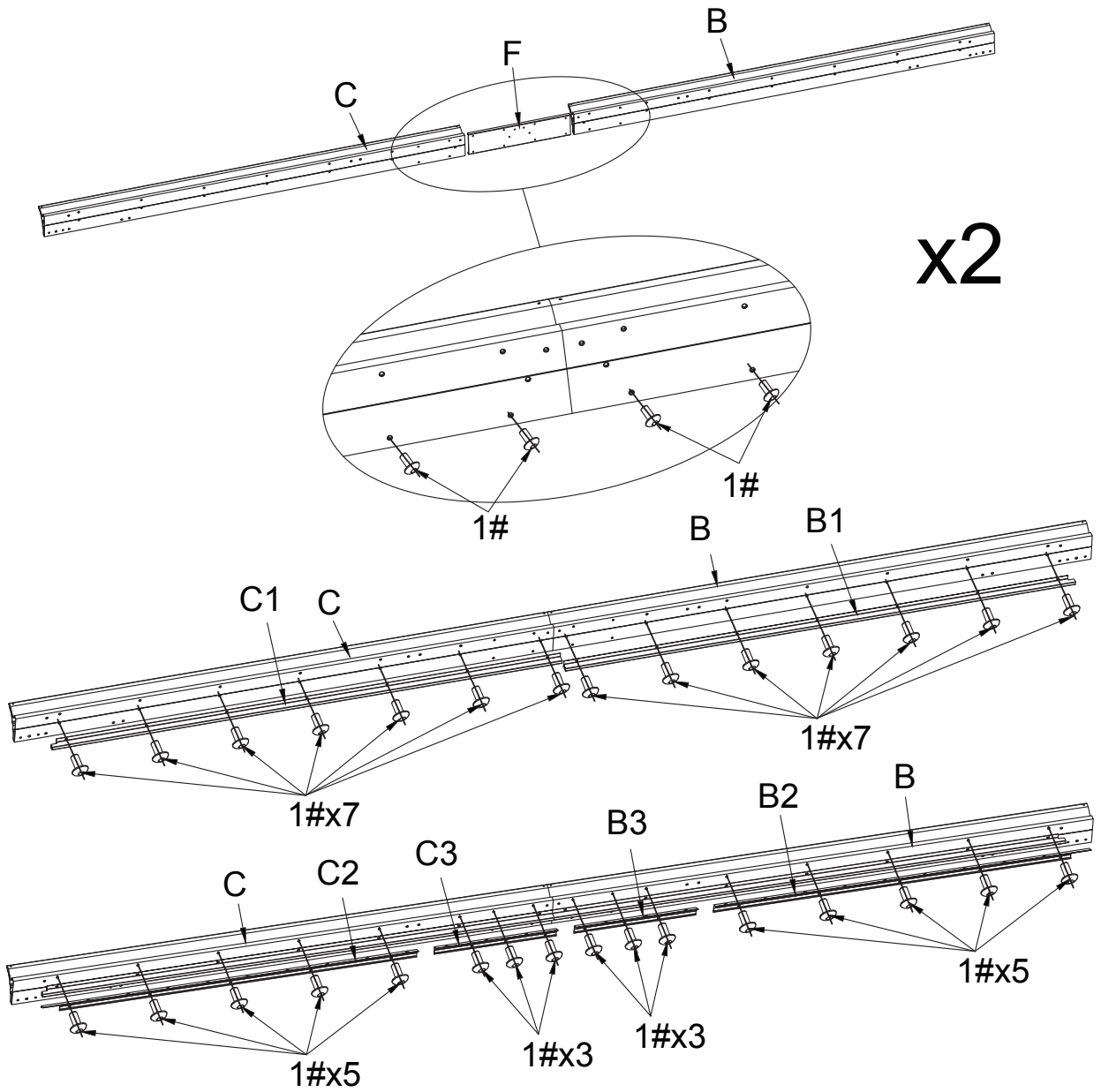
STEP 01

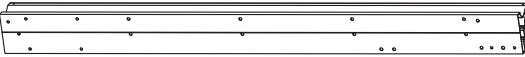

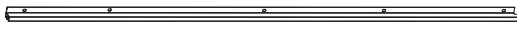


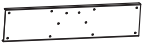
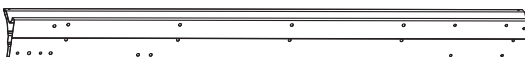
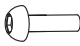
- 
A x4
- 
A1 x8
- 
A2 x8
- 
L x4
- 
M6 x16
1#
x12
- 
M5 x10
8#
x40



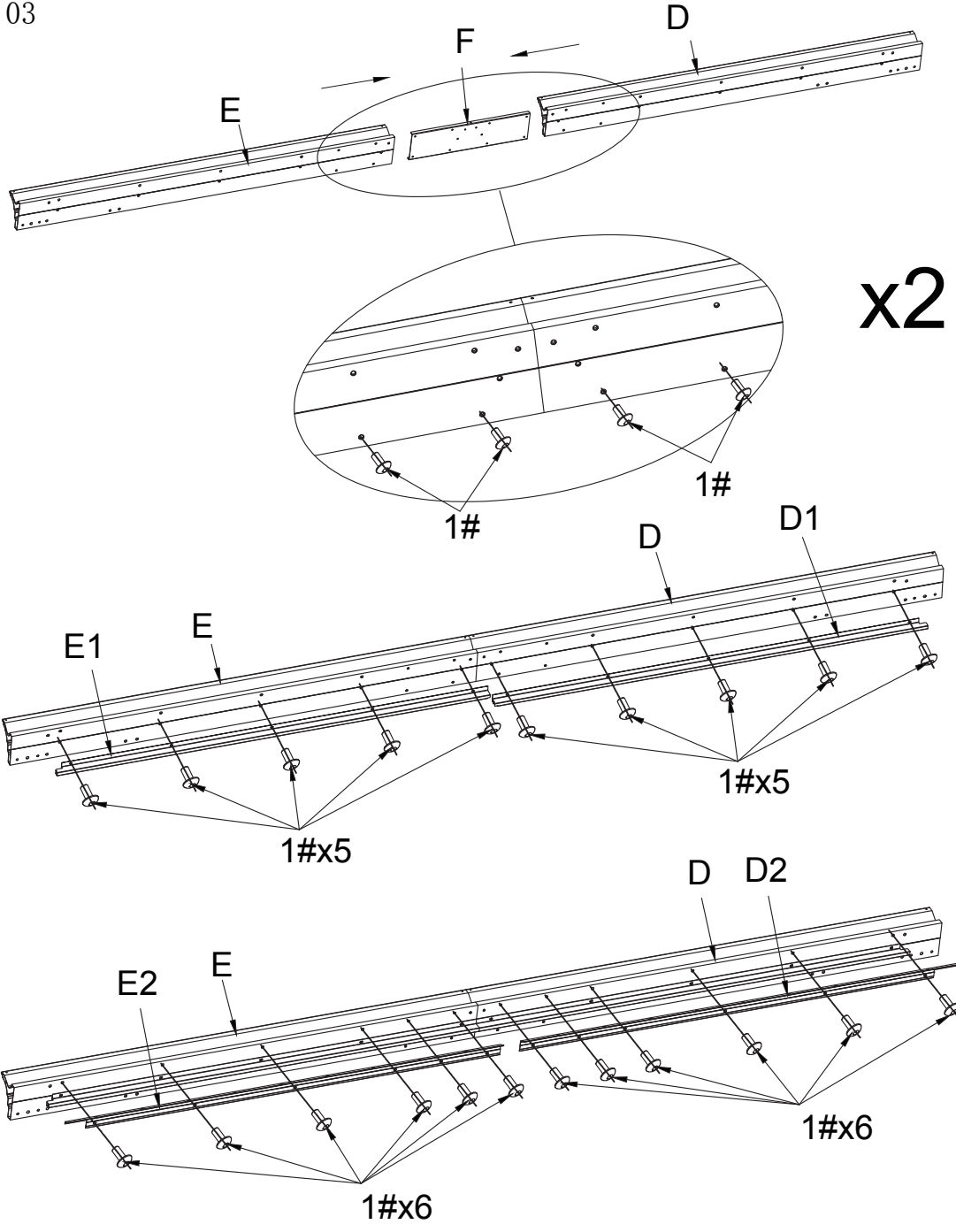
 B (x2)	 C1 (x2)
 B1 (x2)	 C2 (x2)
 B2 (x2)	 C3 (x2)
 B3 (x2)	 F (x2)
 C (x2)	 M6x16 1# (x68)

STEP 02

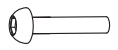


 D (x2)	 E1 (x2)
 D1 (x2)	 E2 (x2)
 D2 (x2)	 F (x2)
 E (x2)	 M6x16 1# (x52)

STEP 03

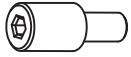


STEP 04



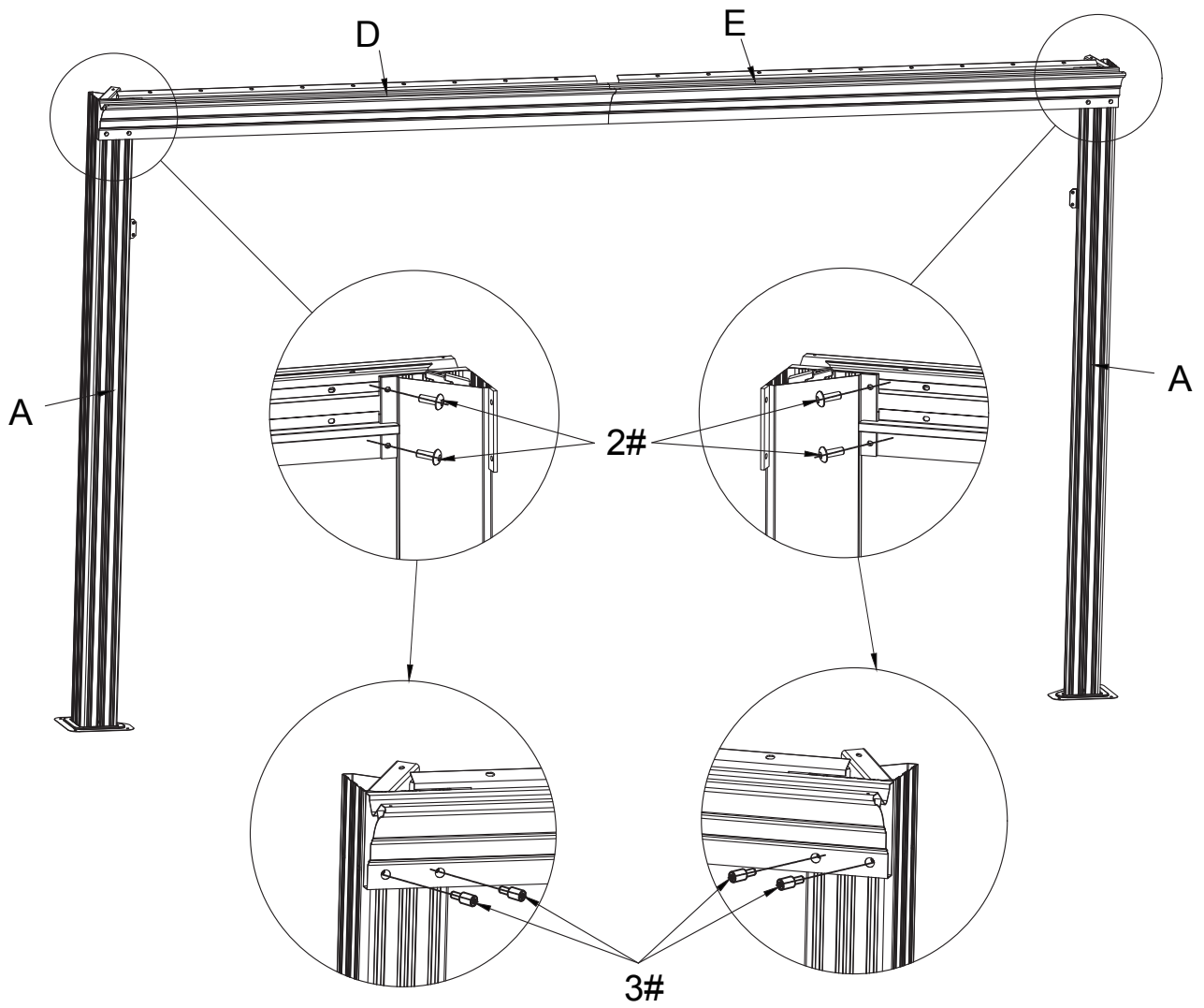
M6x20

2# x8



3# x8

x2

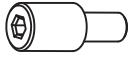


STEP 05

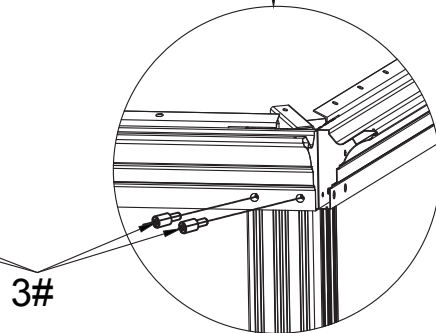
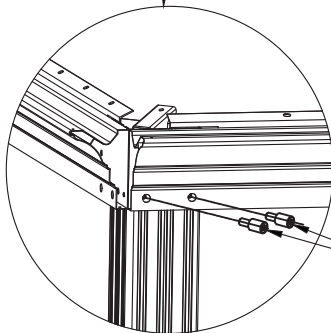
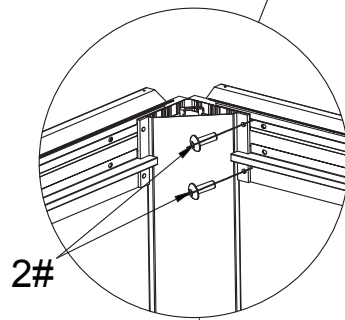
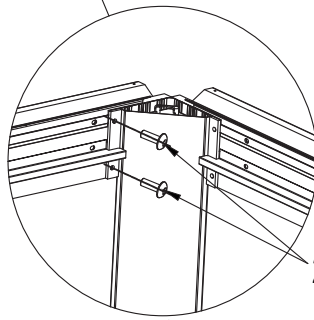
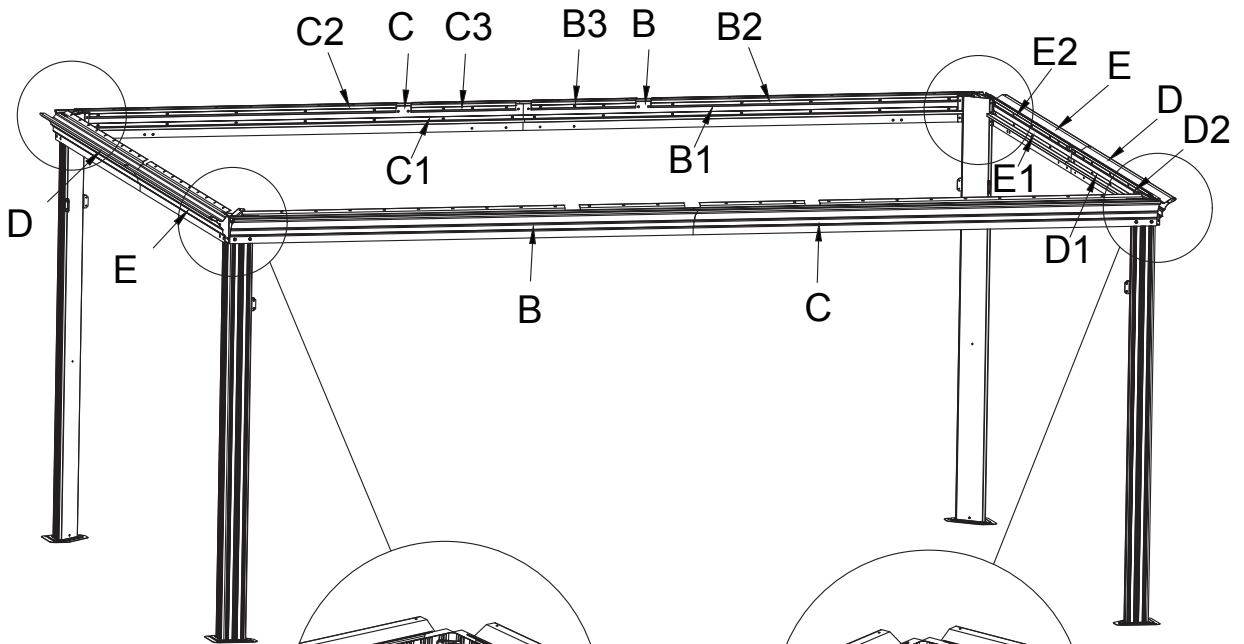


M6x20

2#x8



3#x8



STEP 06



J1 x4

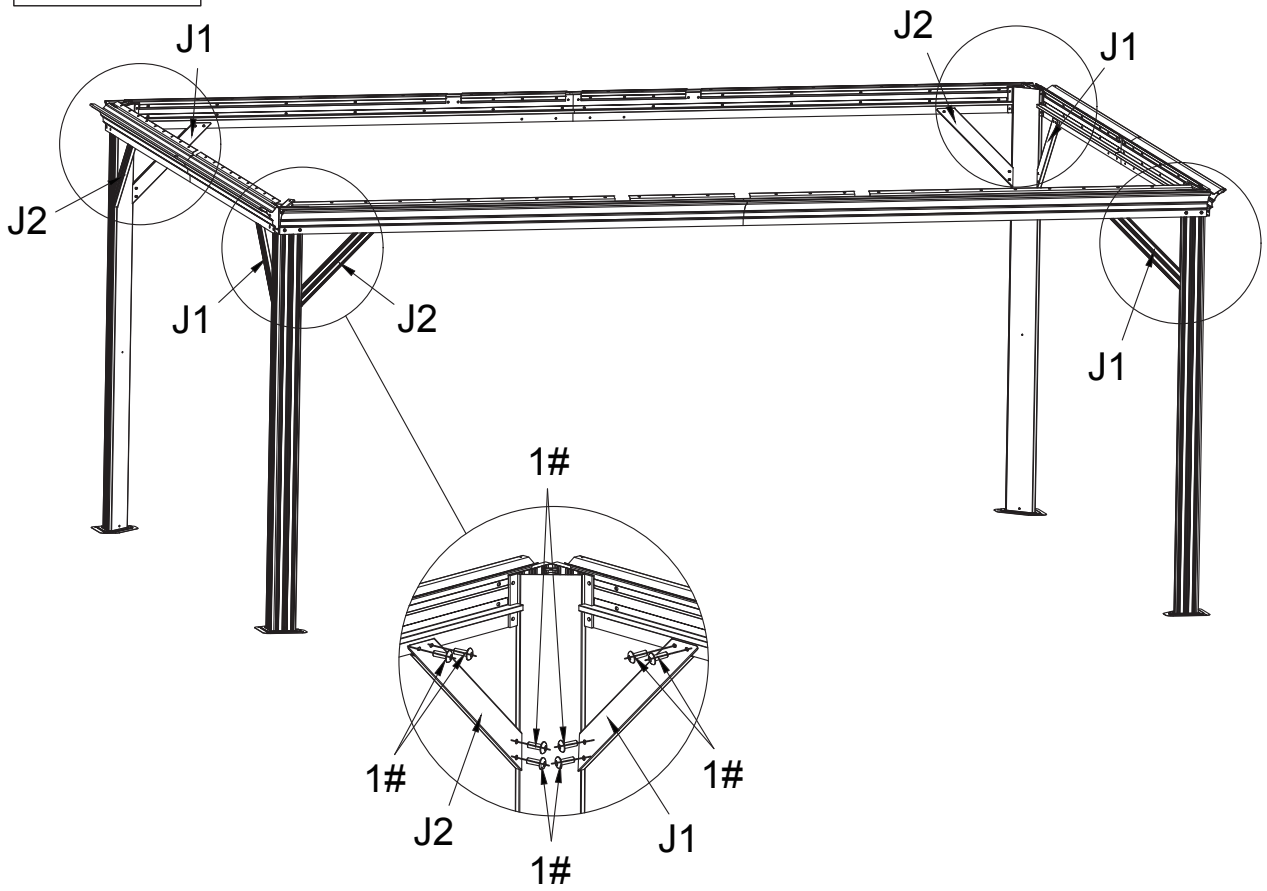


J2 x4



M6x16

1# x32



STEP 07



G x4

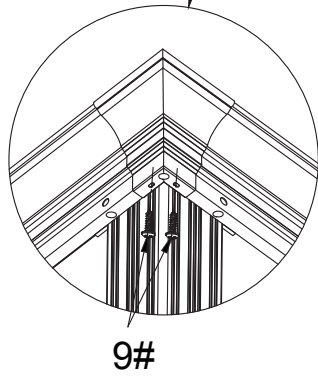
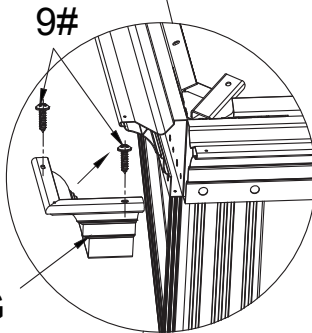
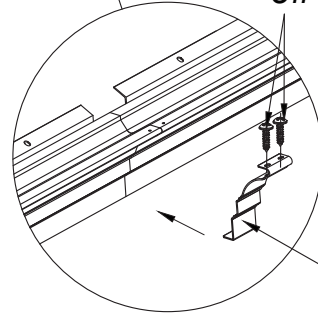
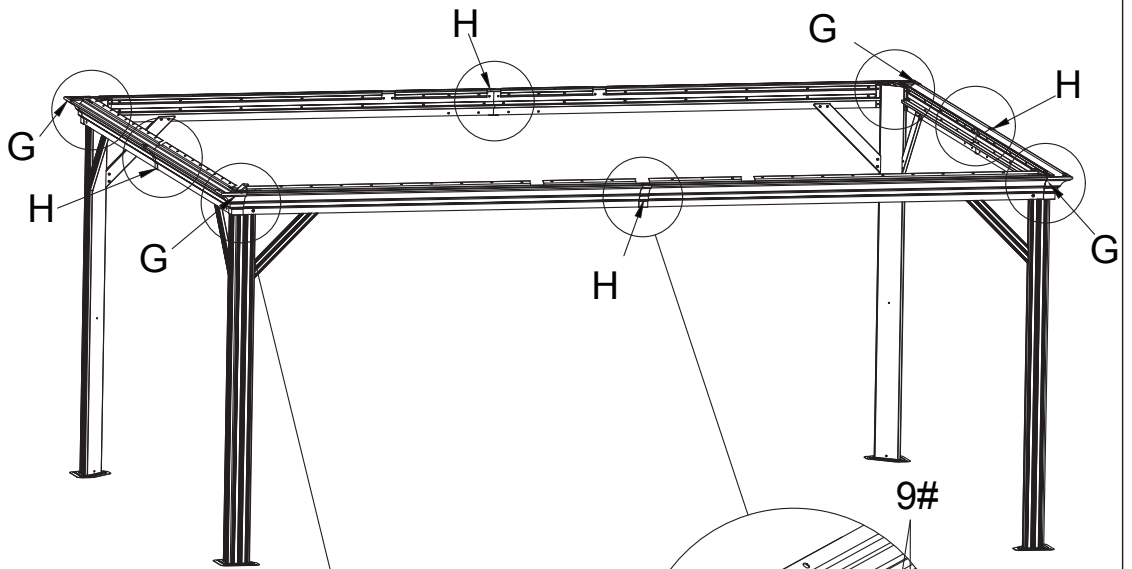


H x4

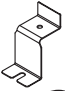

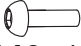
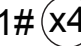


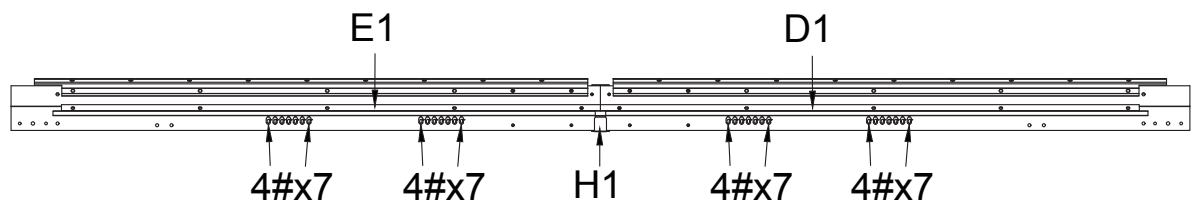
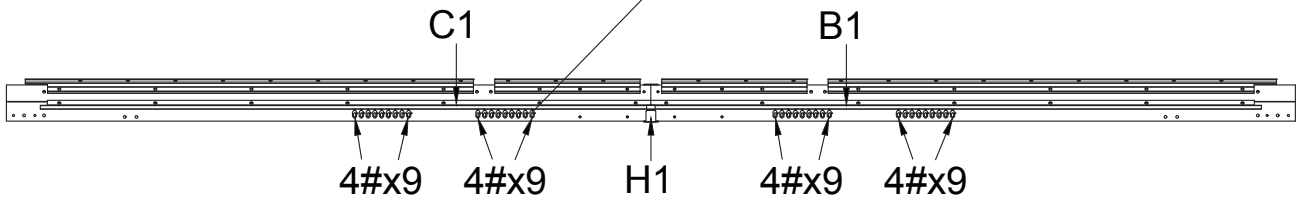
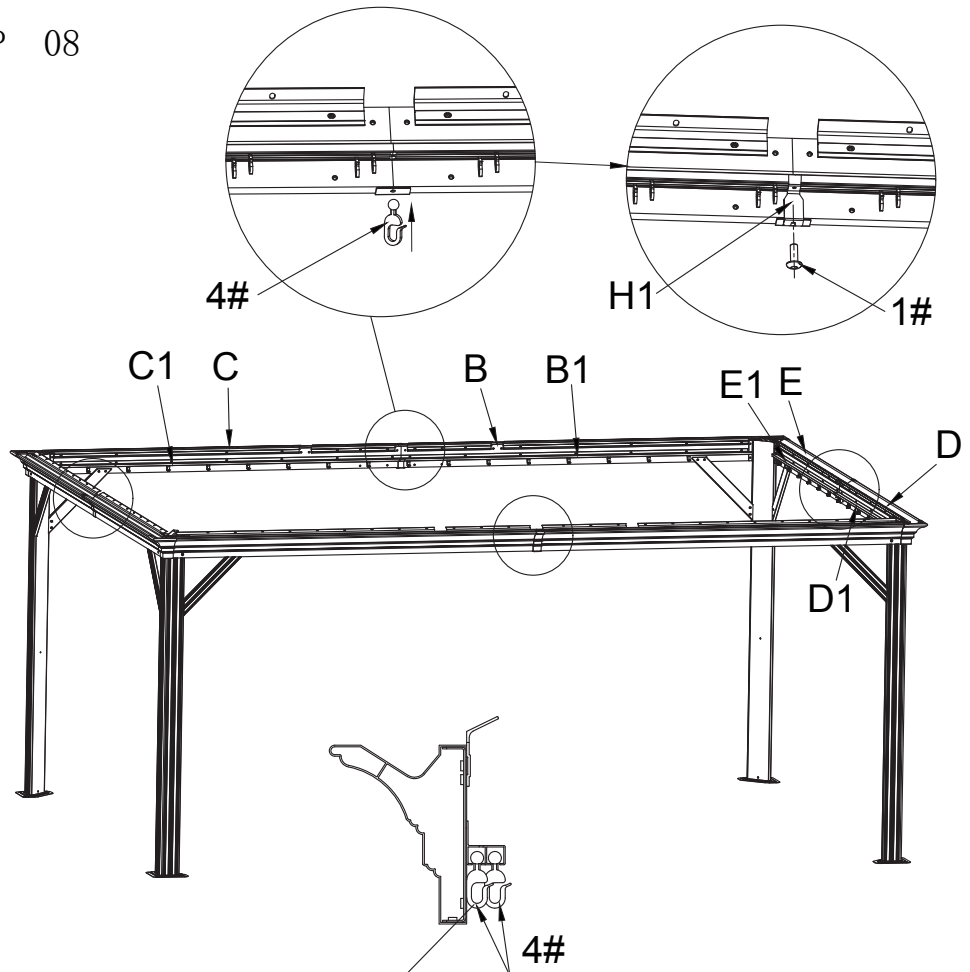
ST4.8x13

9# x24



STEP 08

-  H1 (x4)
-  4# (x128)
-  M6x16
-  1# (x4)



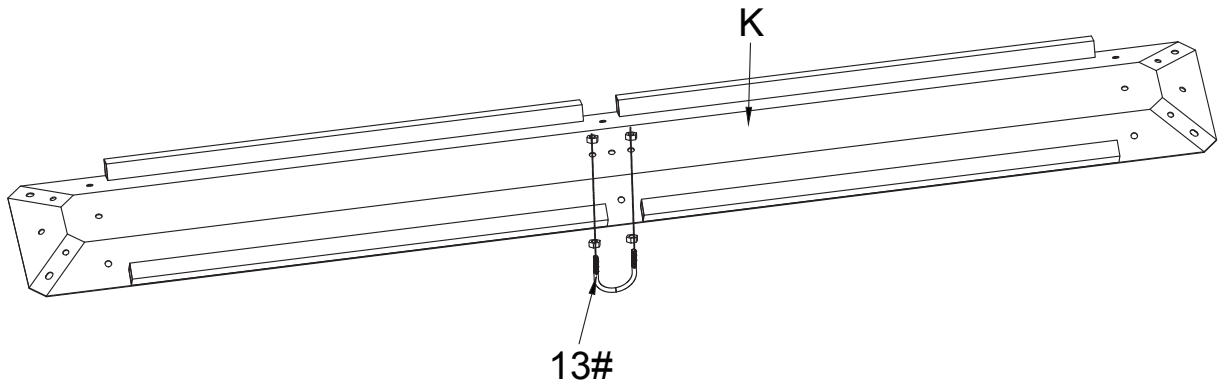


K x1



13# x1

STEP 09



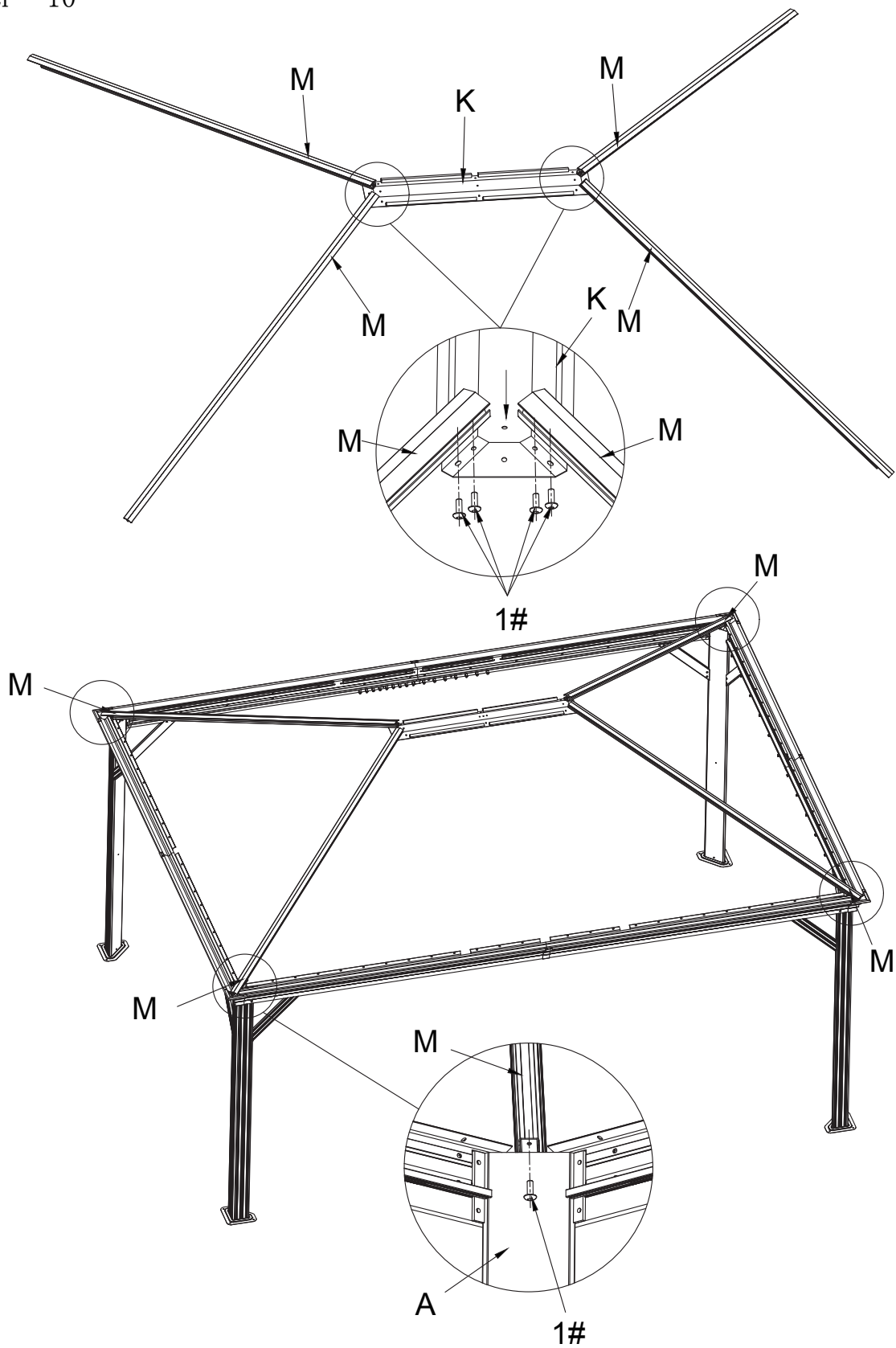
M x4

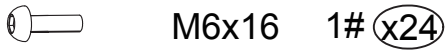
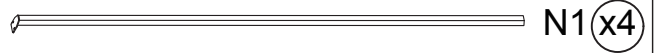


M6x16

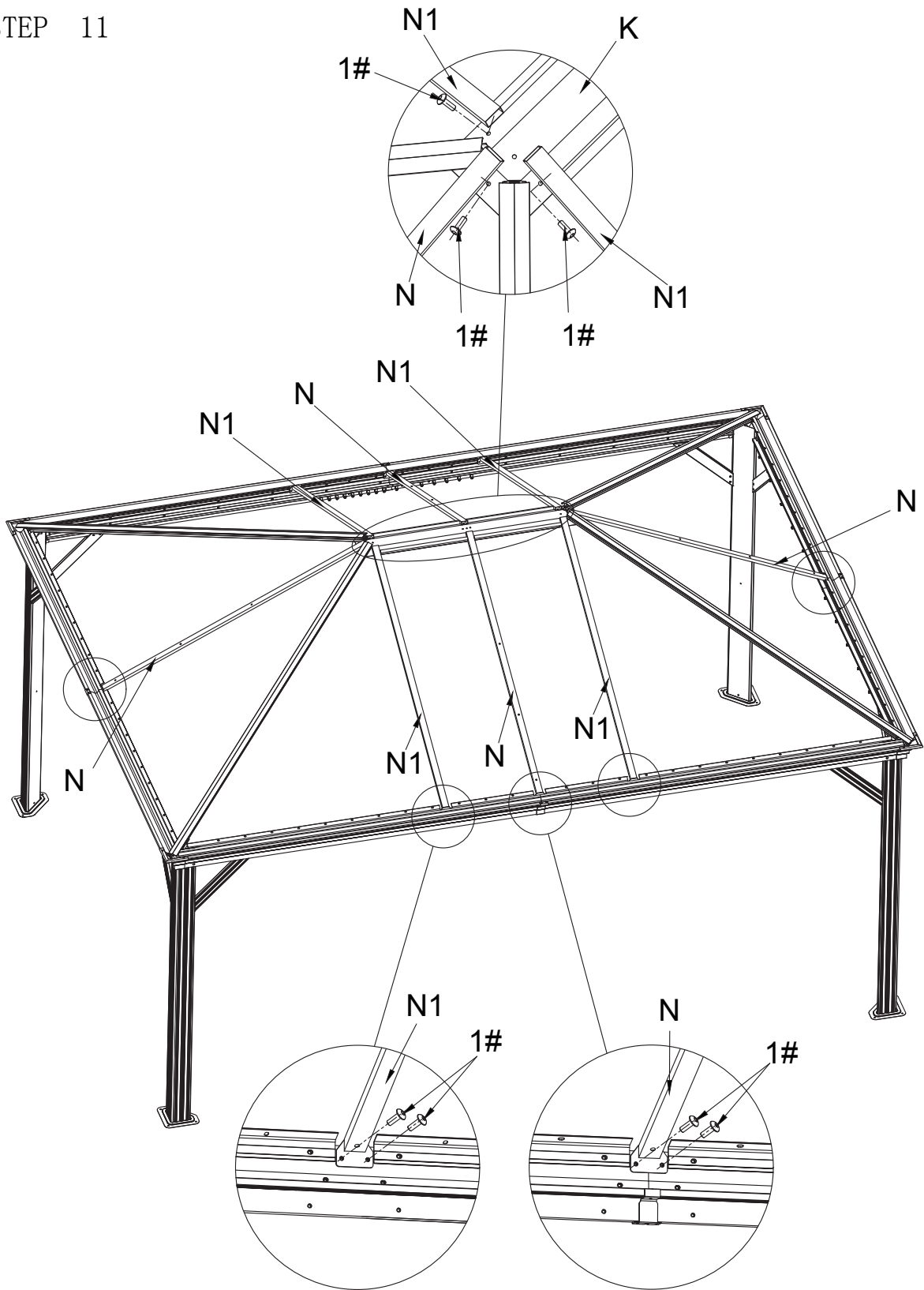
1# x12

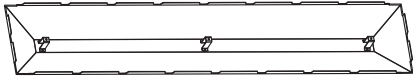
STEP 10





STEP 11





K1 (x1)



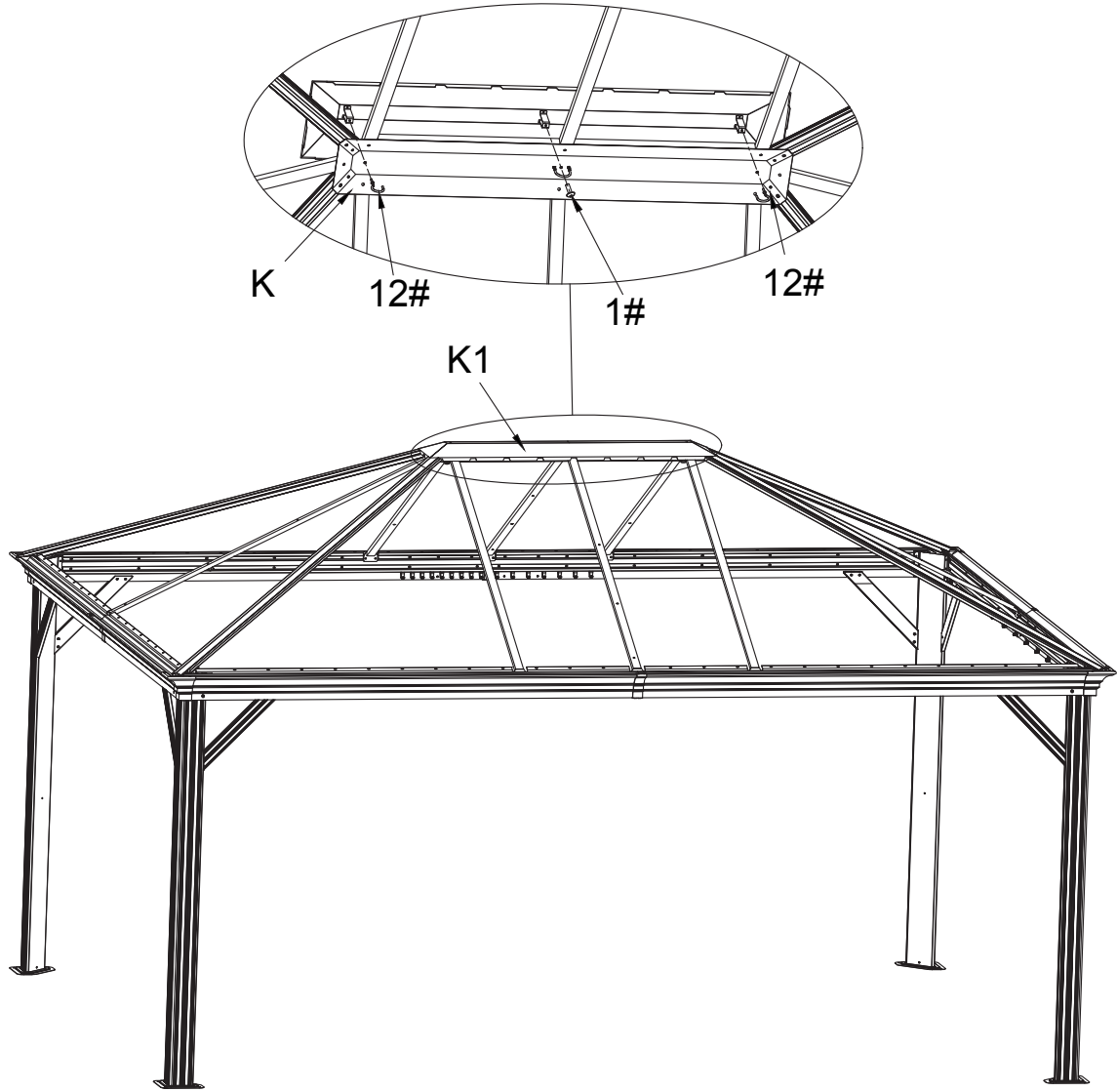
12# (x2)

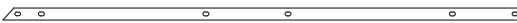




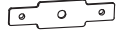
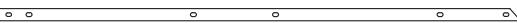
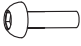


M6x16

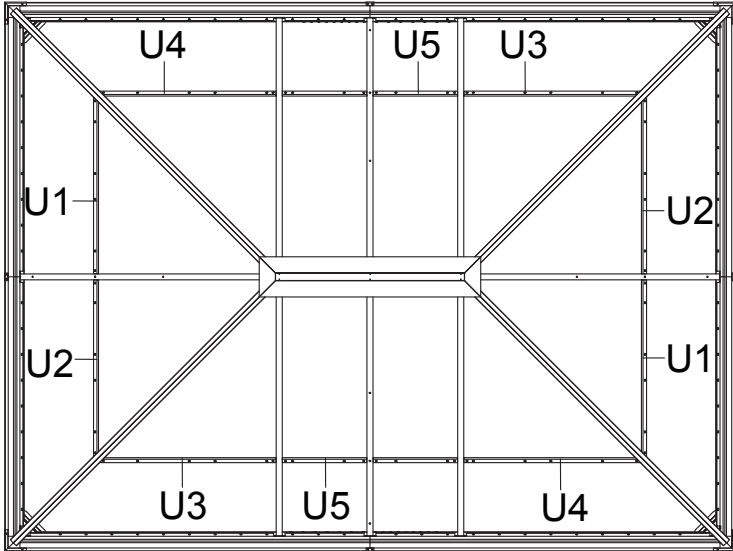
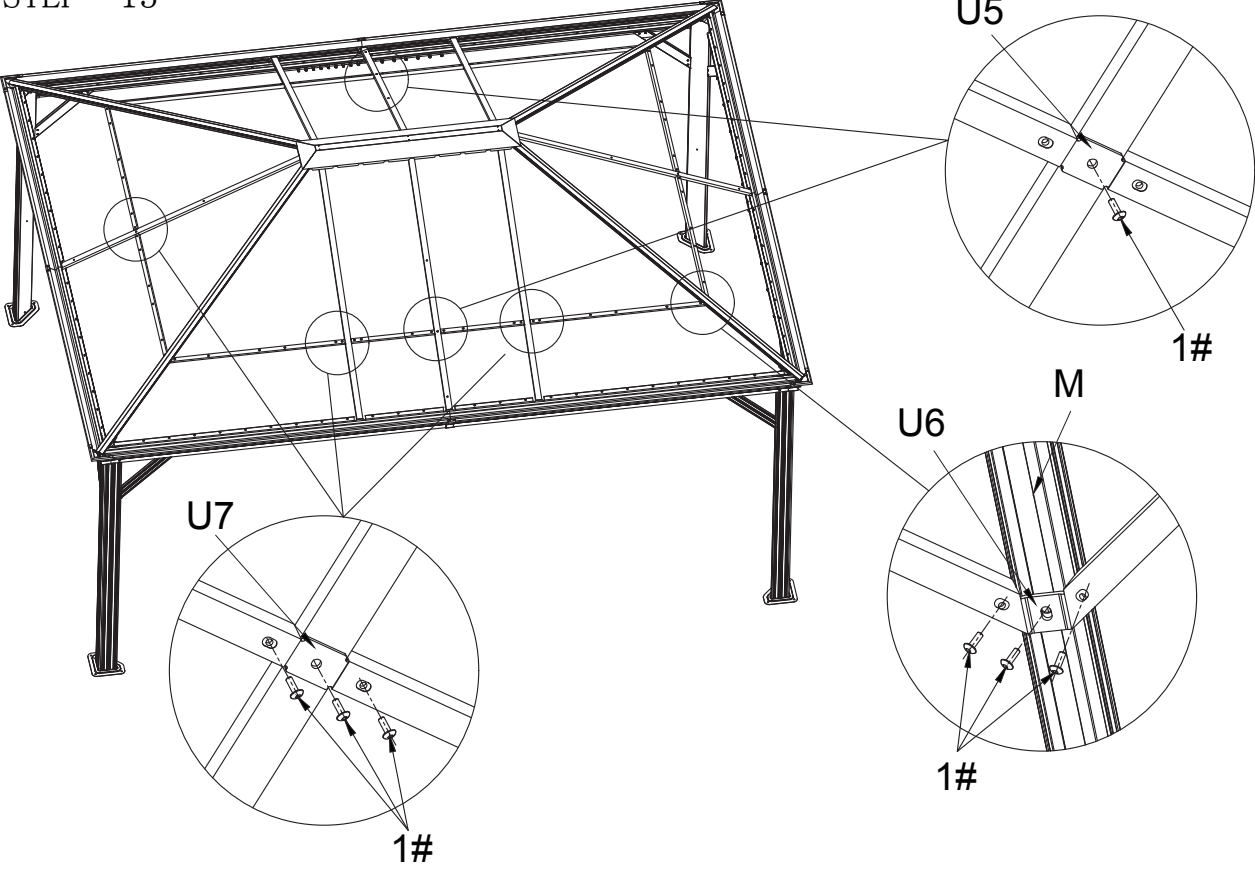
1# (x1)







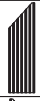



STEP 12



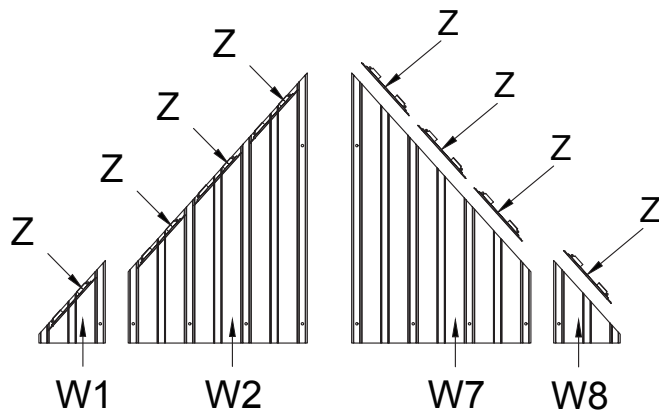
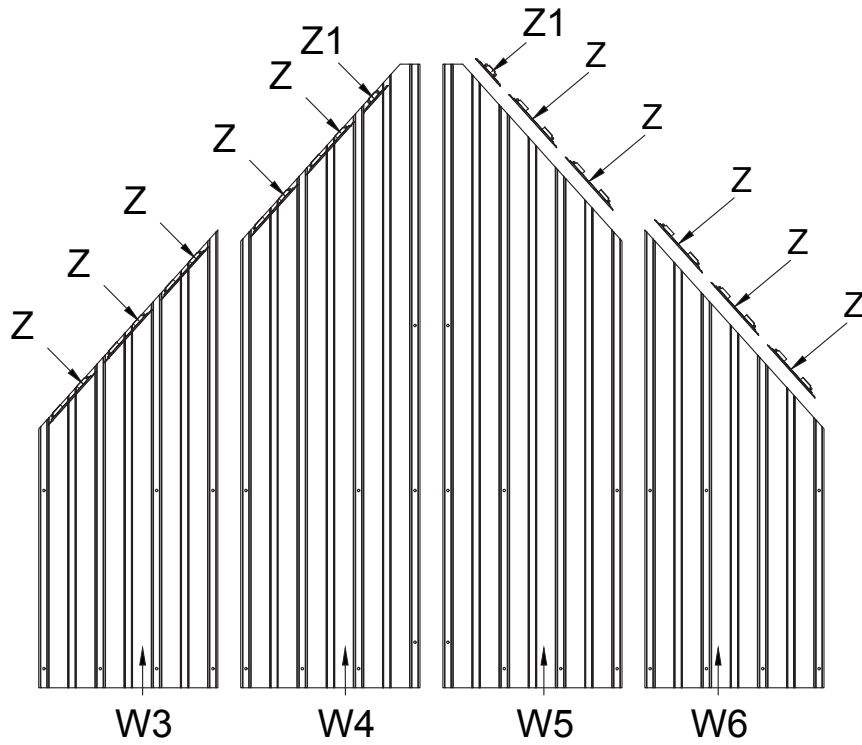
 U1 (x2)	 U5 (x2)
 U2 (x2)	 U6 (x4)
 U3 (x2)	 U7 (x6)
 U4 (x2)	 M6x16 1# (x32)












STEP 13



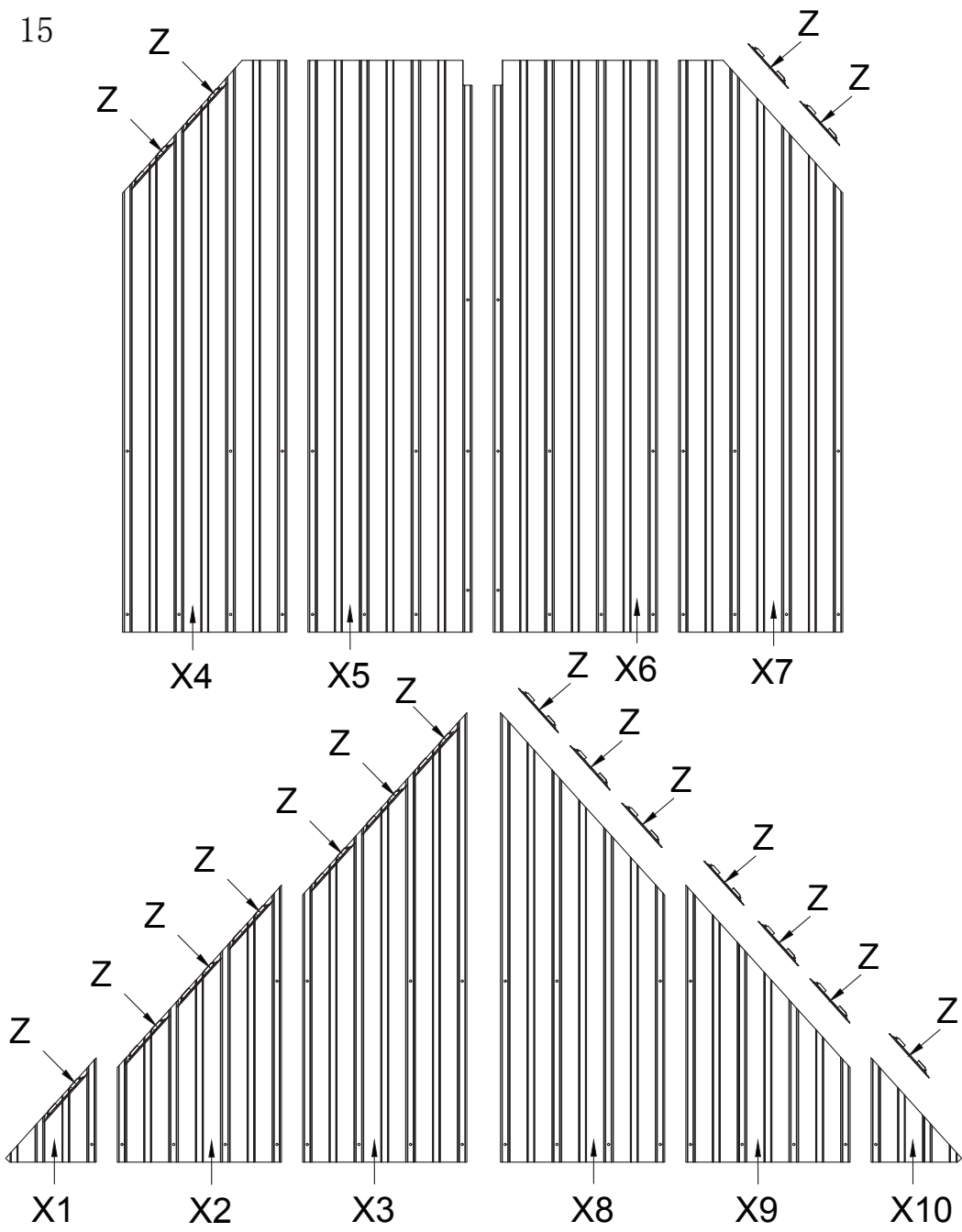
	W1 (x2)		W6 (x2)
	W2 (x2)		W7 (x2)
	W3 (x2)		W8 (x2)
	W4 (x2)		Z (x36)
	W5 (x2)		Z1 (x4)

STEP 14

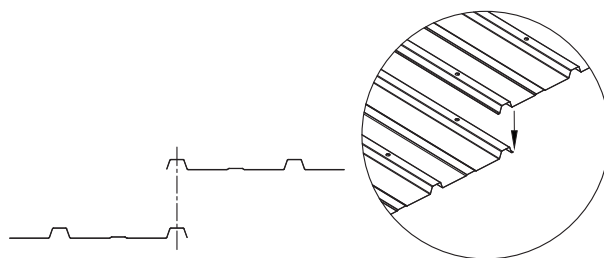
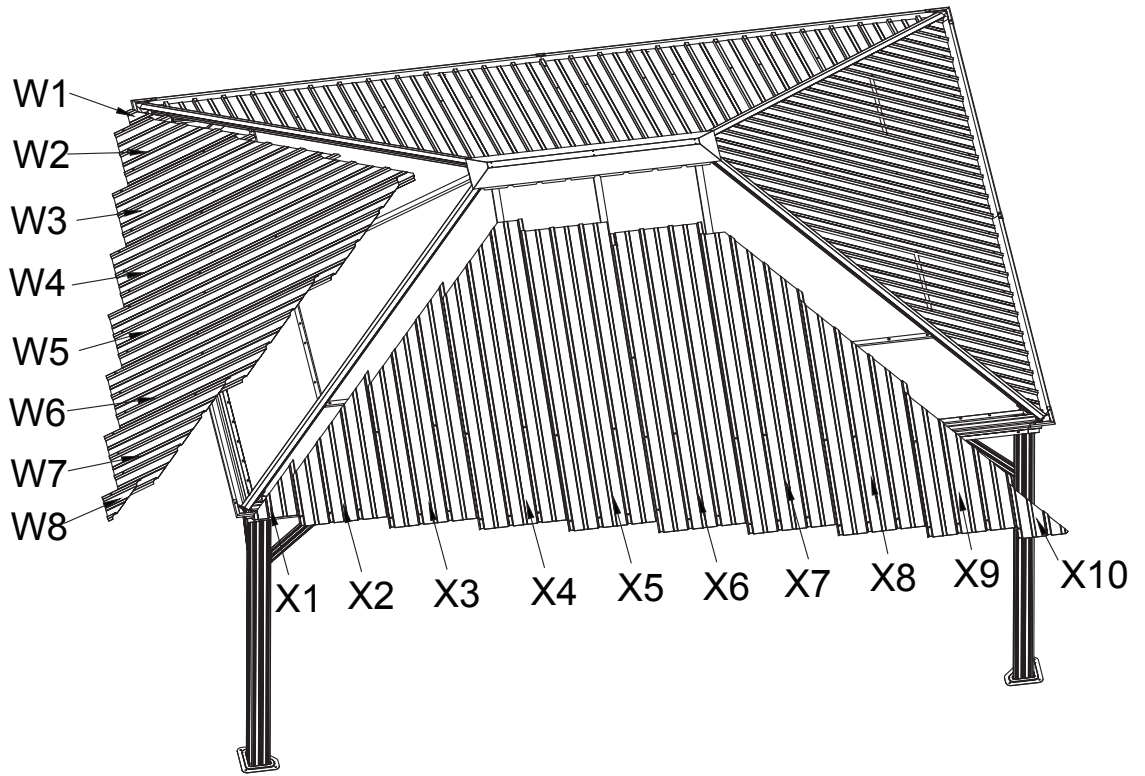


	X1 (x2)		X7 (x2)
	X2 (x2)		X8 (x2)
	X3 (x2)		X9 (x2)
	X4 (x2)		X10 (x2)
	X5 (x2)		Z (x36)
	X6 (x2)		

STEP 15



STEP 16



STEP 17

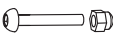


S x136



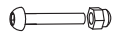
M6x23

5# x84



M6x47

6# x40



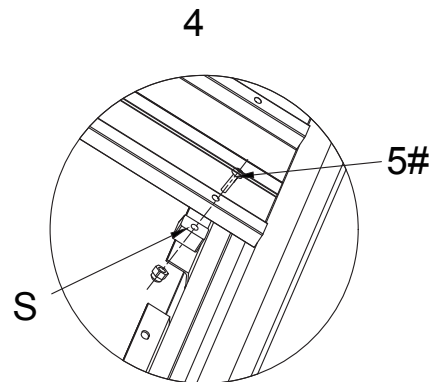
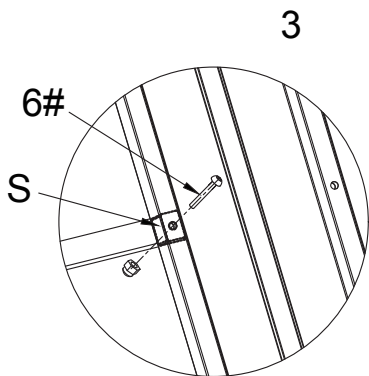
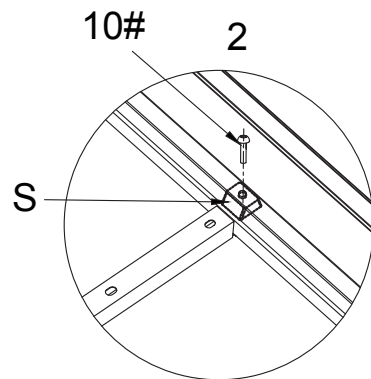
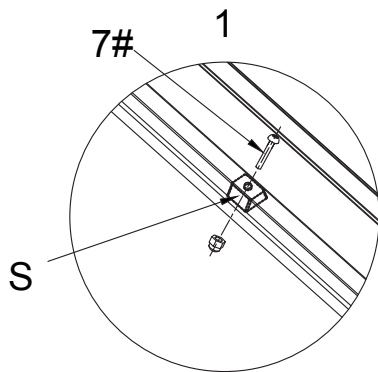
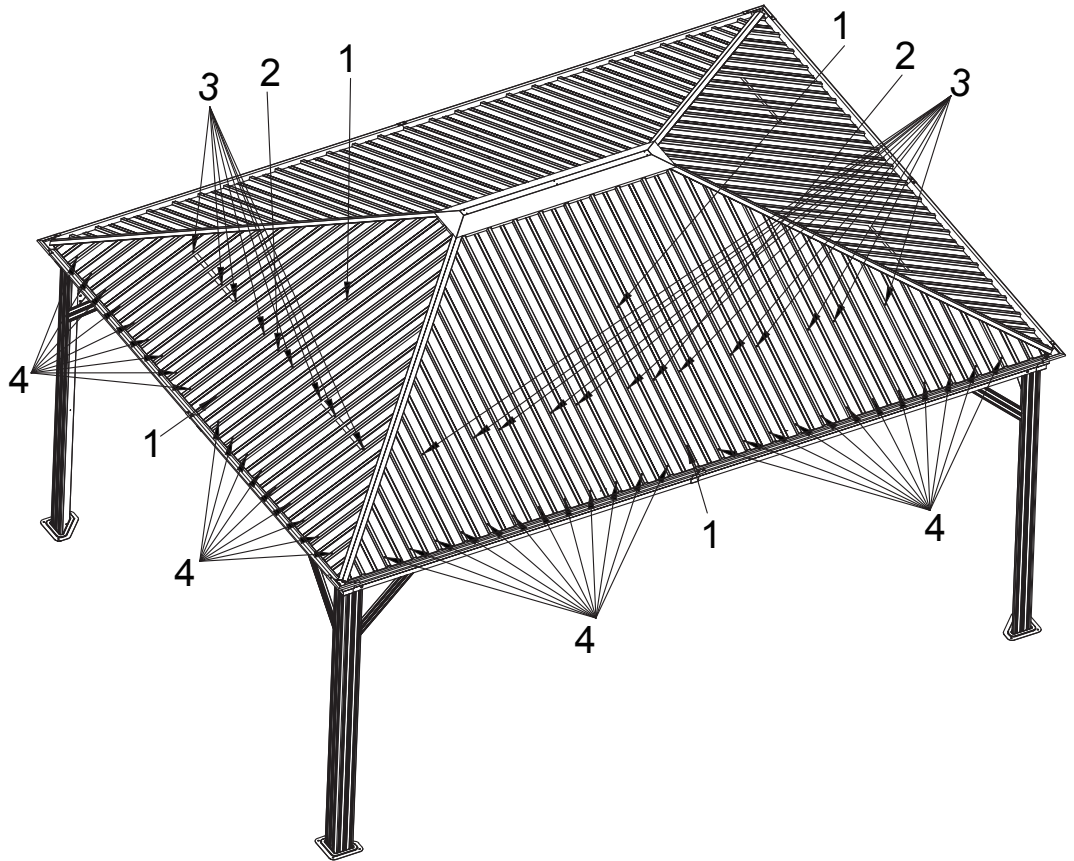
M6x42

7# x8

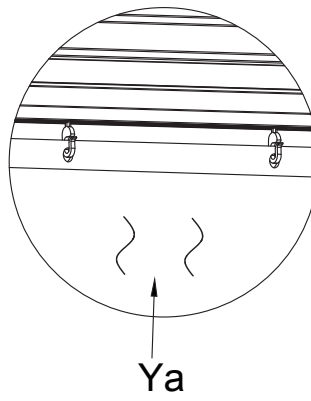
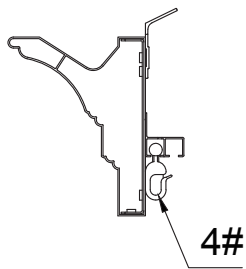
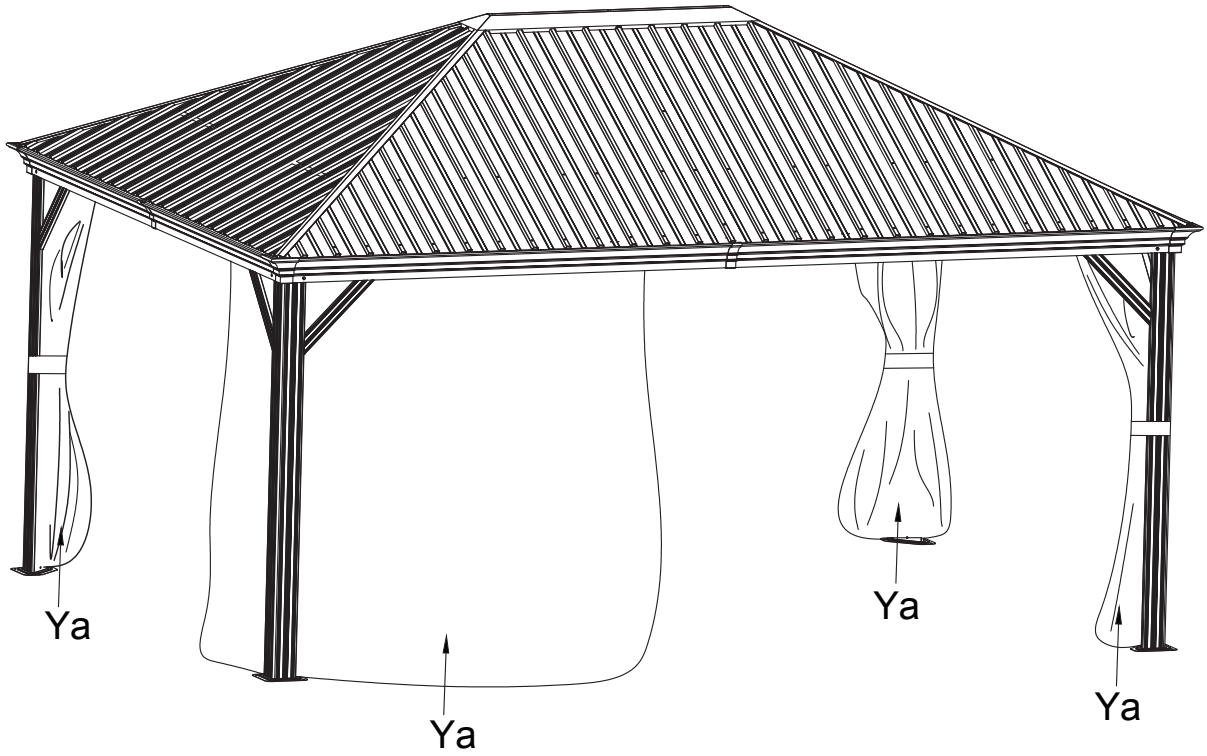
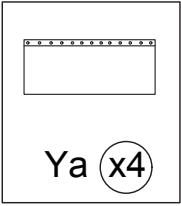


M6x23

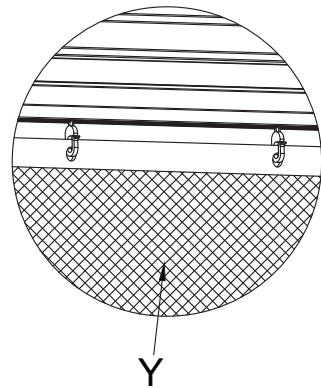
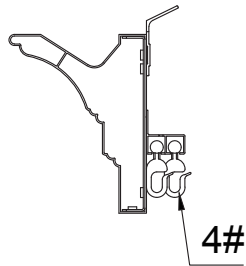
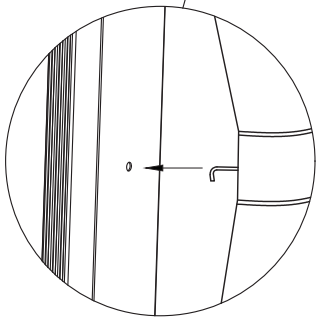
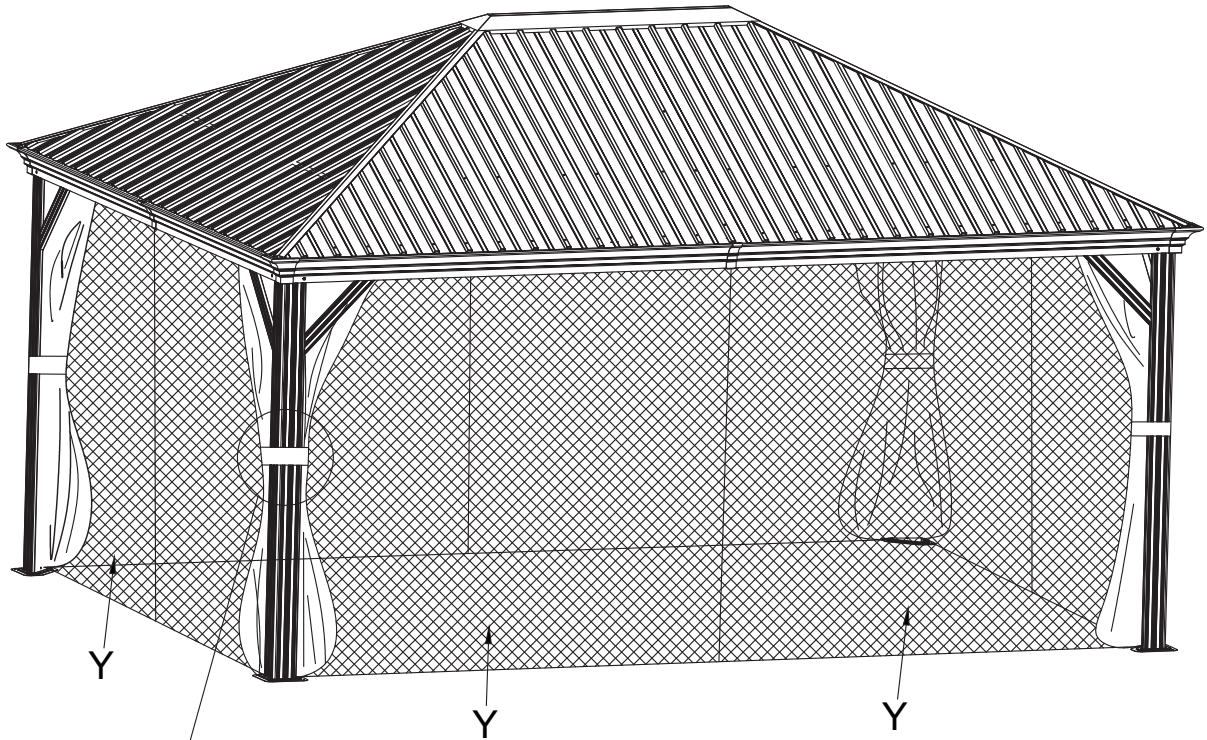
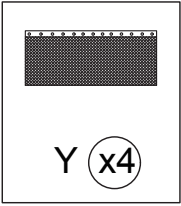
10# x4




STEP 18



STEP 19




M6x70
14#x12

STEP 20

