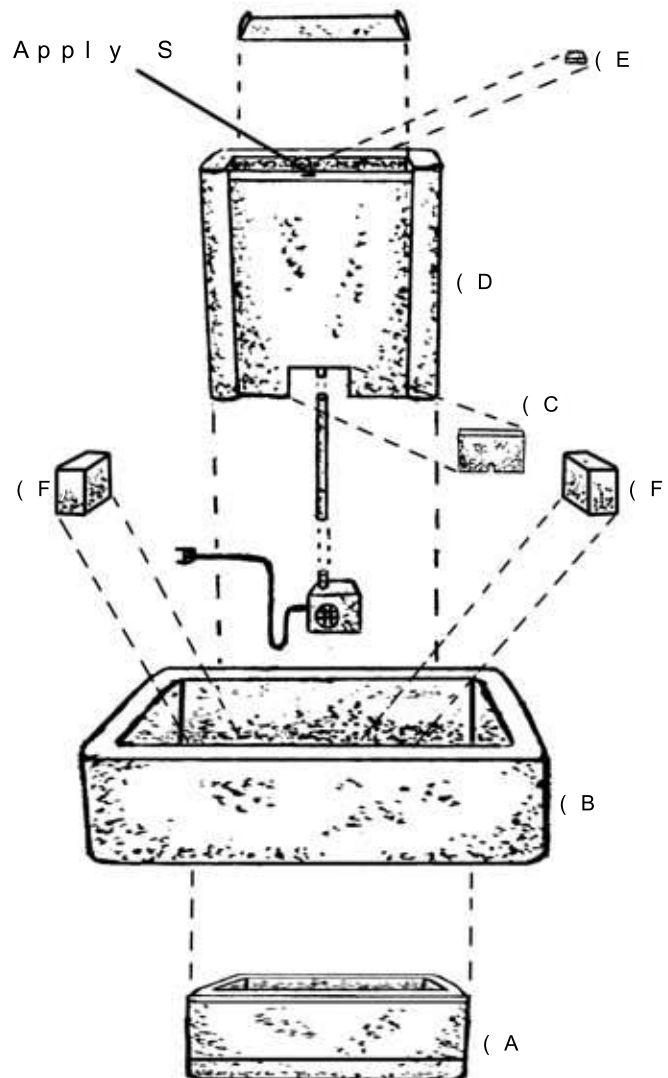
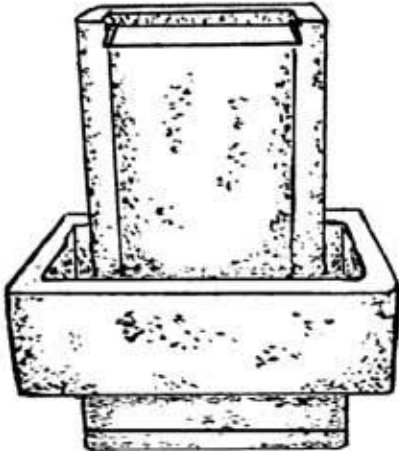


Items Required For Assembly

Submersible Pump
Copper Lip
Clear Silicone Sealer

NOTE: HANDLE THE COPPER SPILLS WITH CARE. IF MISHANDLED! DO NOT LIFT BY THE SPILLS!!

- 1) Place base (A) on a firm, level surface.
- 2) Place bowl (B) onto base (A).
- 3) Place pump in the center rear cutout of the pump over the rear rim of the bowl.
- 4) Gently place the fountain tower (D) with the spillway facing forward against the inner back wall of the bowl. DO NOT LIFT THE TOWER FROM THE PUMP.
- 5) Place the pump into the cutout of the bowl. Slip the other end of the tubing into the cutout. Slip the other end of the tubing into the vinyl tubing as necessary.
- 6) Place the stabilizer blocks (C) at the bottom of the tower (D) and



The following steps 7-10 with regards to the installation of the copper spill have been done at the factory. We included them here for your information only:

- 7) Place a bead of clear silicone sealer along the entire length of the spillway where the copper lip is to be placed. The bead of silicone sealer should be approximately 1/2" in from the inner rim of the spillway.
- 8) Gently peel off the protective film from the copper lip.
- 9) Gently press the copper lip into place in the spillway until the bottom flange of the copper lip rests against the inner rim of the spillway. Be careful not to bend the copper lip!
- 10) Fill the spaces between the side flanges of the copper lip and the side walls of the spillway with clear silicone sealer. The goal is to seal the copper lip in place so that water cannot get around or under it, but is forced over it.
- 11) Place the diffuser cap (E) over the water outlet at the top of the fountain top (D).
- 12) Fill the bowl (B) with water so that the pump is completely submerged.
- 13) Plug the pump into a GFCI protected outlet.
- 14) If the flow over the copper lip needs adjustment, use shims between the base (A) and the bowl (B) to achieve a level flow.
- 15) Place the access door (C) in the cutout at the bottom of the fountain top (D) and enjoy your new fountain.