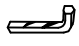






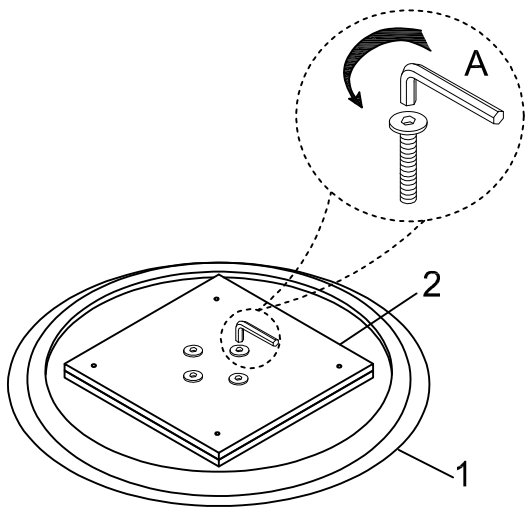


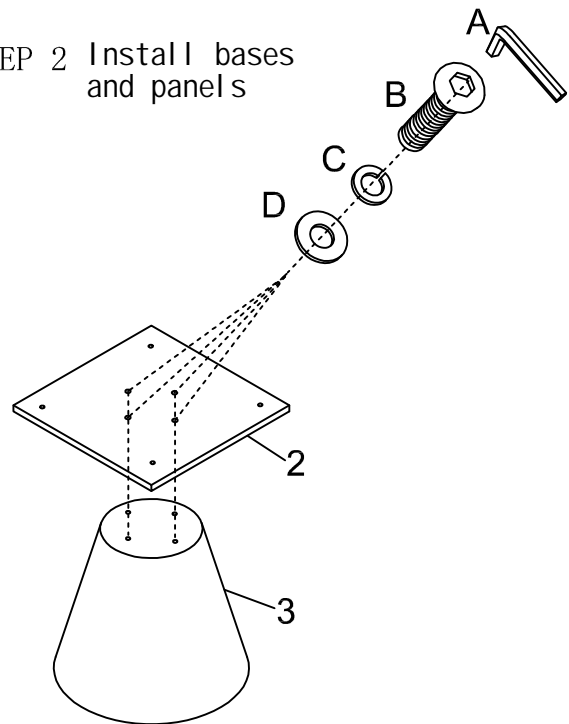
ASSEMBLY INSTRUCTIONS

HARDWARE				PARTS		
A		1PC	5/16"	1		Detachable 1PC
B		8PCS	5/16" *1-1/4"	2		1PC
C		8PCS	5/16"			
D		8PCS	5/16"*19MM	3		1PC

STEP 1 Loosen the middle panel

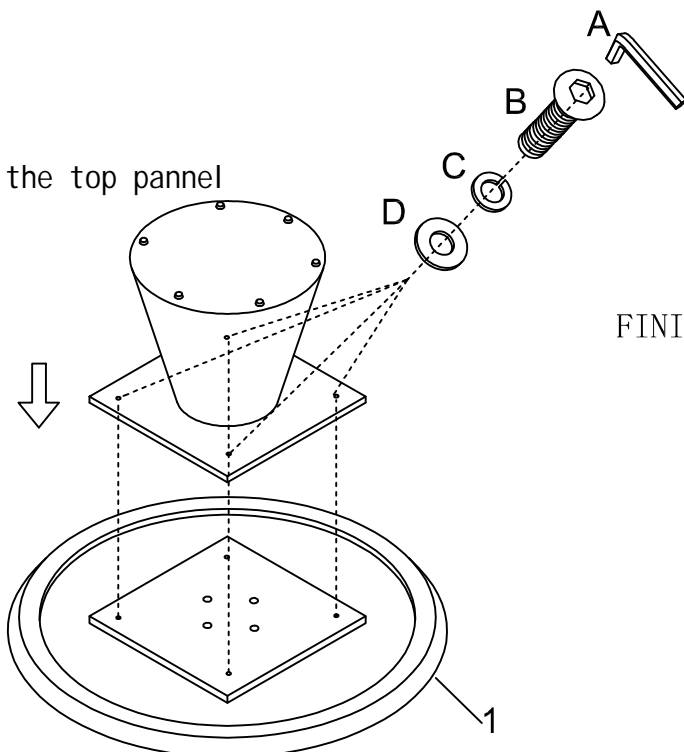


STEP 2 Install bases and panels



Install the top pannel

STEP 3



FINISH

