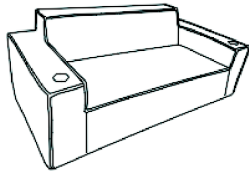


# INSTRUCTION MANUAL

Balliet Upholstered  
Sectional

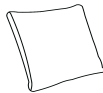
PU W\_ U [ Y @ ] g h

A\*1pcs



seat frame(1pcs)

B\*2pcs



body pillow

C\*2pcs



cup holder

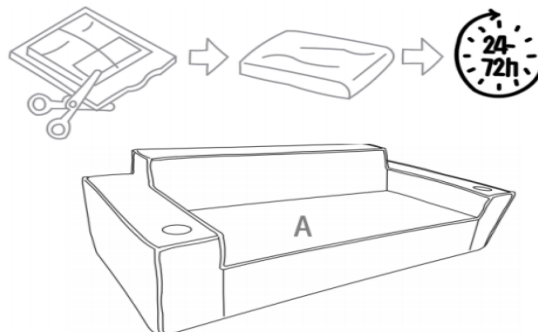
## Assembly Instruction

1

Open the part A(seat frame)

Attention: Donot open the vacuum until you confirmed this sofa fits yourspace and you are also satisfied with this proct.

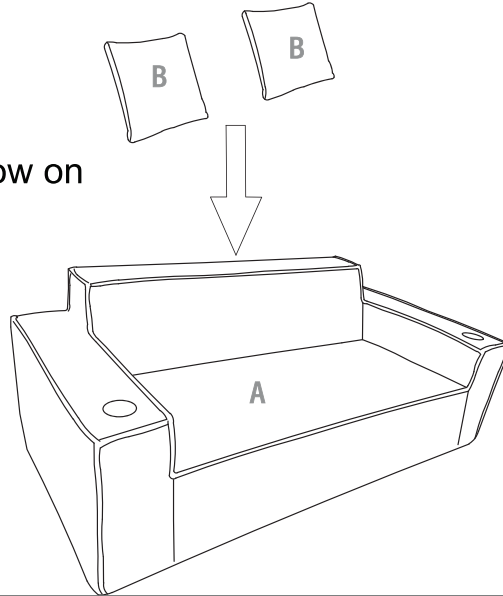
Complete revival may take up to around 24-72 hours



Assembly Instruction

2

Put the pillow on the sofa.



Assembly Instruction

3

Put the cup holder into the handrail hole.

