



ASSEMBLY INSTRUCTIONS

Thank you for purchasing this quality product. be sure to check all packaging material carefully for small parts that may have come loose inside the carton during shipment.

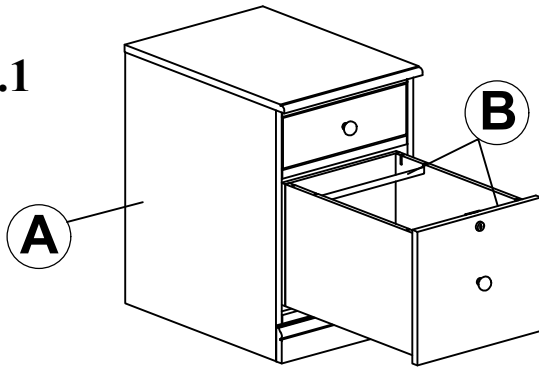
Reminder

1. Use only the hardware supplied
2. Do not over-tighten the bolts.
3. This item may require periodic tightening

Components List :			
NO.	DESCRIPTION		Q' TY
A		Mobile File	1pc
B		314*15*3mm	2pcs

Step 1: Place the Mobile File on a flat surface, open the drawer box and put the file rods on the groove as shown on FIG.1

FIG.1



Assembly is now completed

