

# AFTERSALE SERVICE

**Dear customer,**

Thank you so much for purchasing the product from us, we really appreciate your support.

We are aimed to provide the best shopping experience to our customers. We also want to build a mutually beneficial relationship with our customers, and step further to make our brand both reliable, responsible and recommendable.

We hope that our products could meet your needs and expectations, please consider us again if you need more products for your home and kitchen.

The package would be out of our control during shipping, please contact us through your purchasing channel directly if there is anything wrong with the box or contents. We are always here offering you our service.

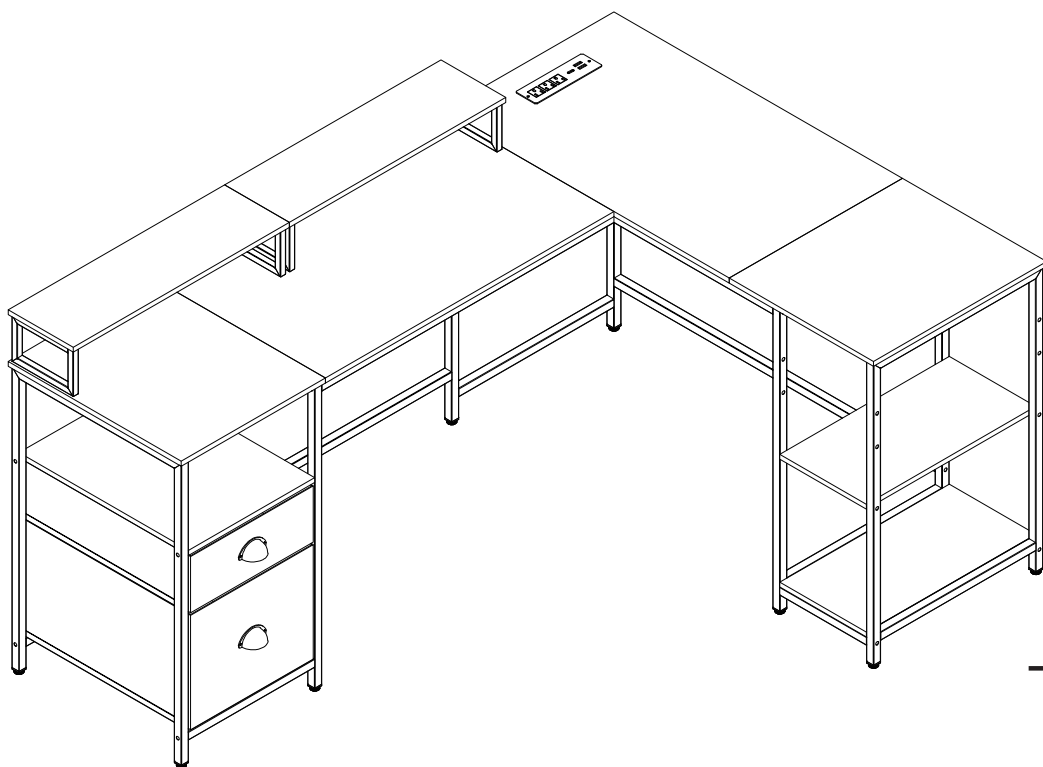
We will reply your messages within 24 hours, please kindly wait for the response from our professional service team.

Your comfort and contentment are of utmost importance.

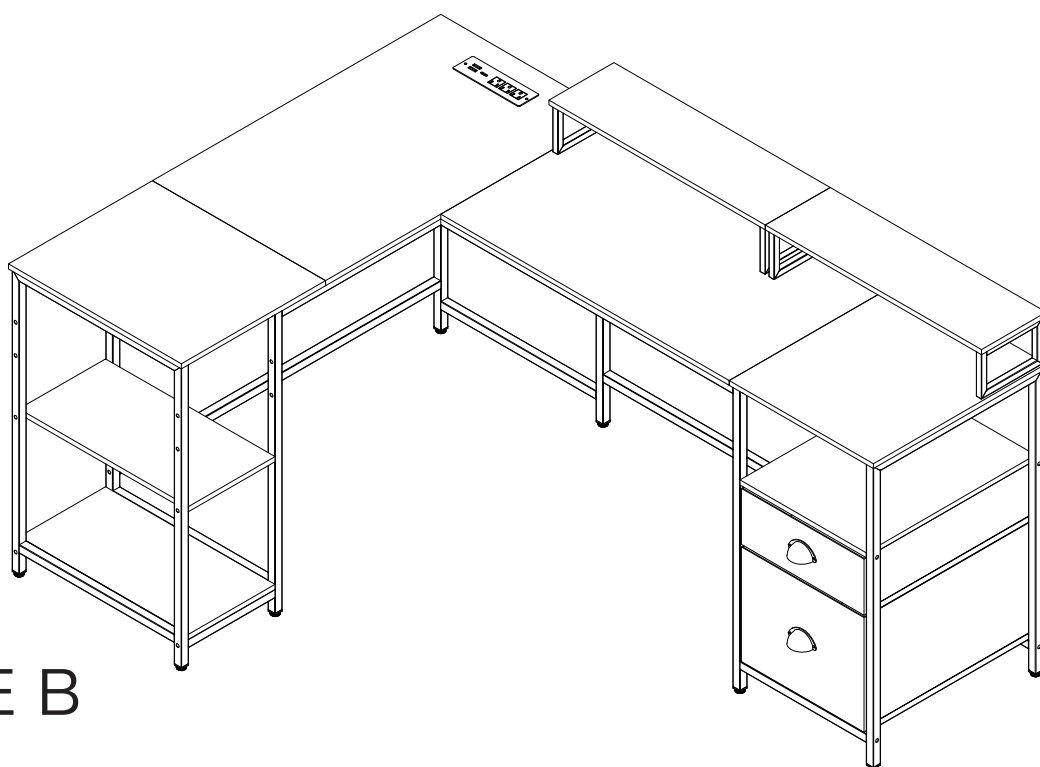
Best Regards,

Customer Care Specialist

# ASSEMBLY INSTRUCTIONS

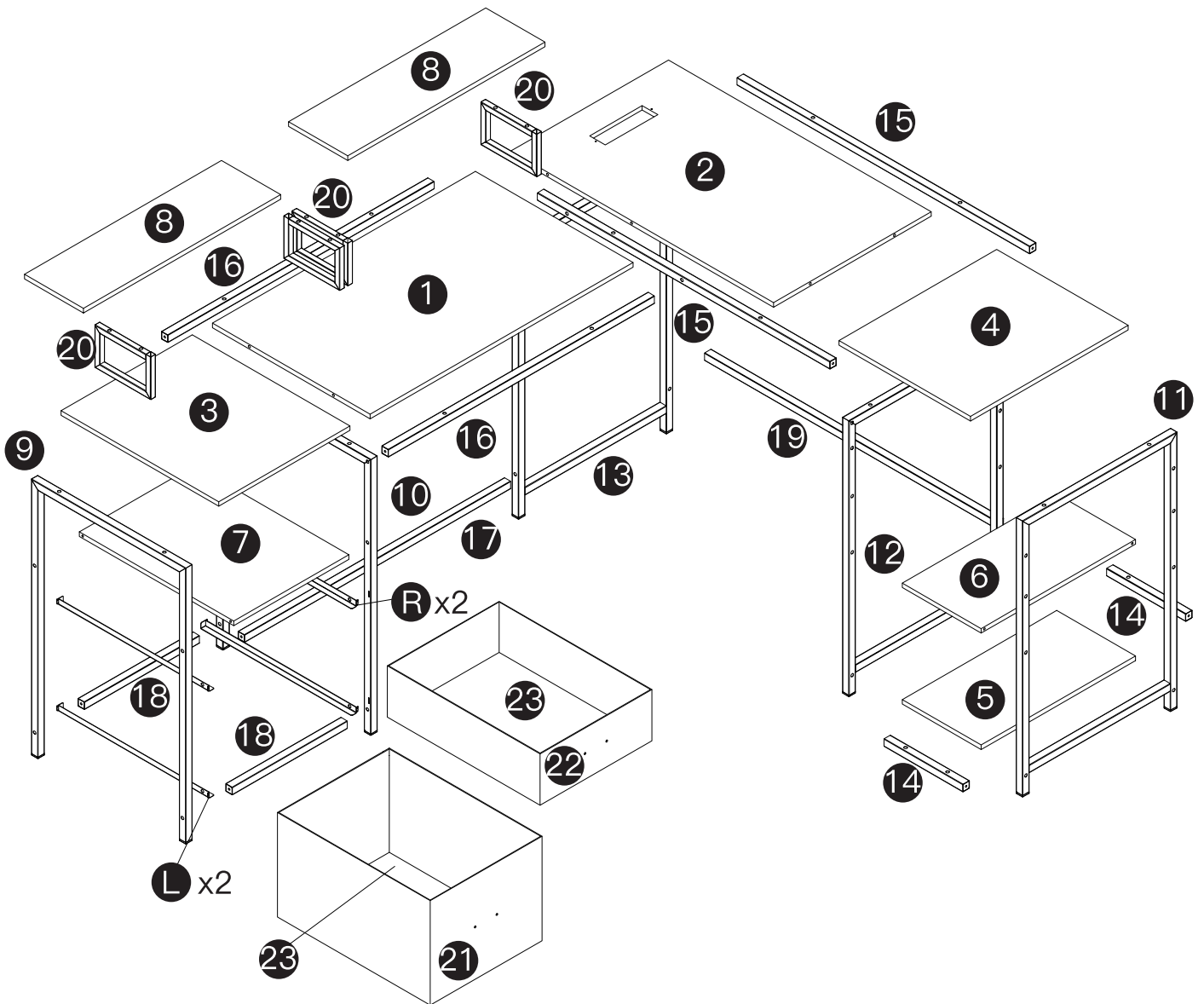


TYPE A



TYPE B

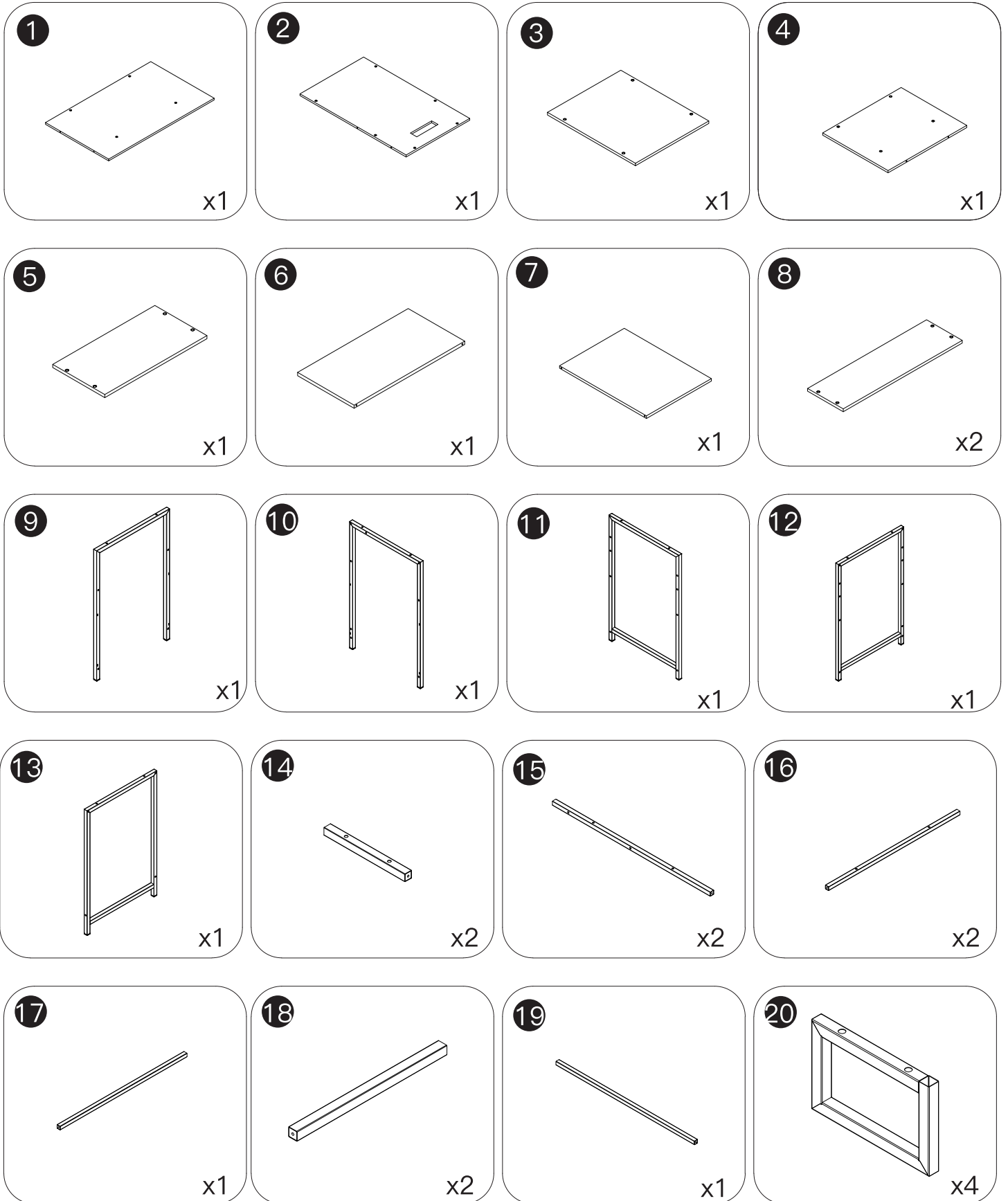
# EXPLODED DRAWING:

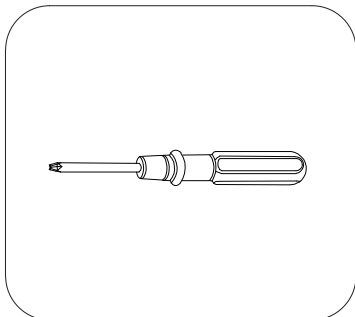
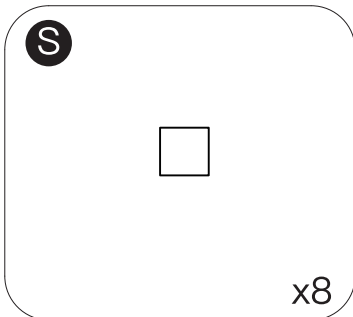
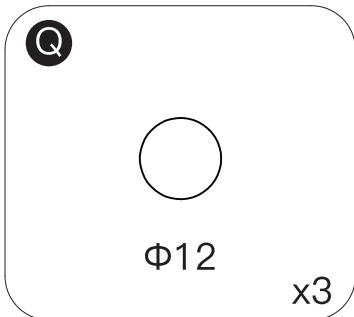
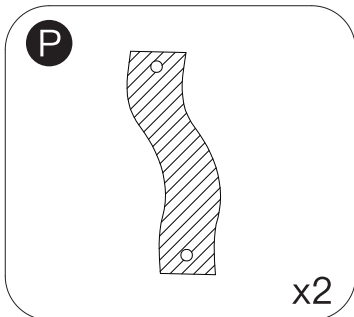
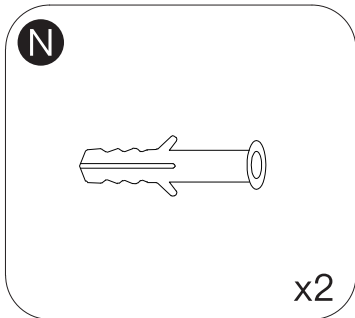
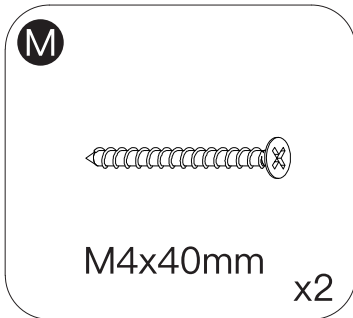
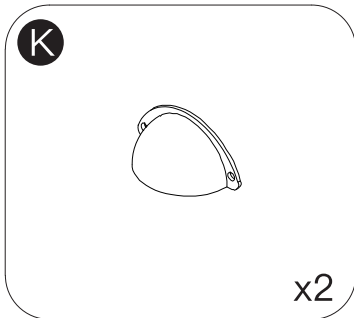
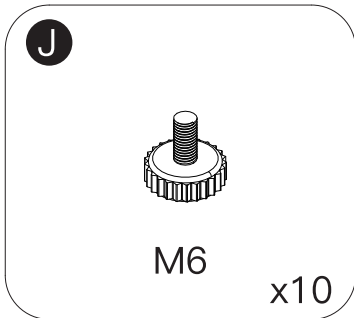
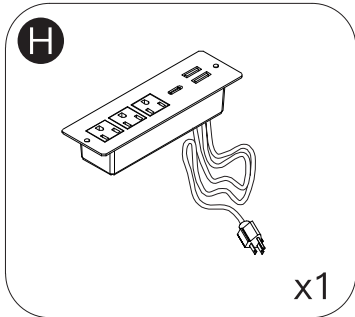
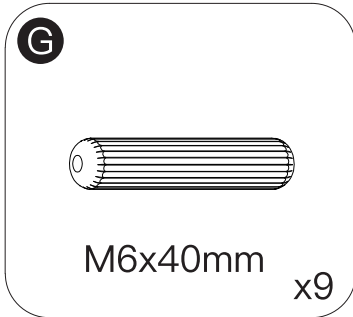
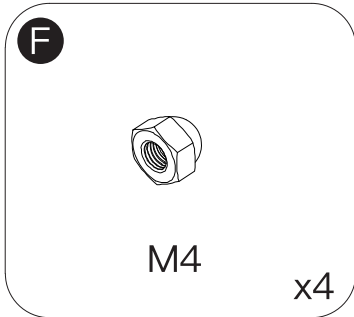
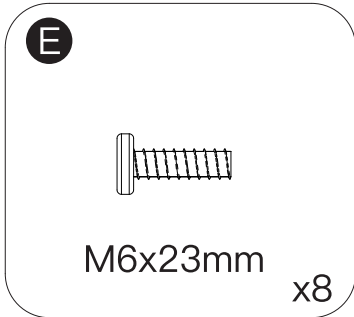
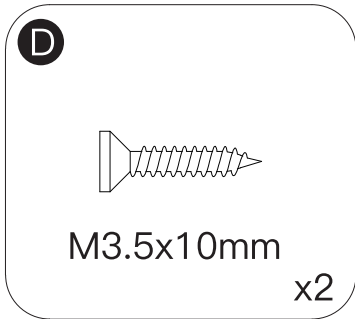
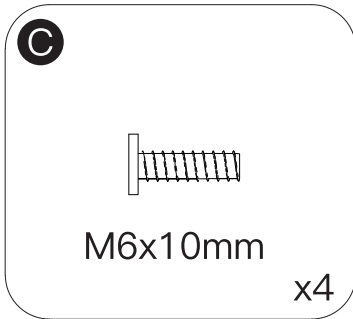
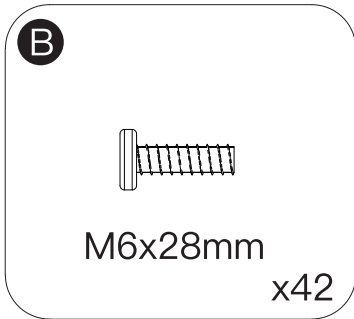
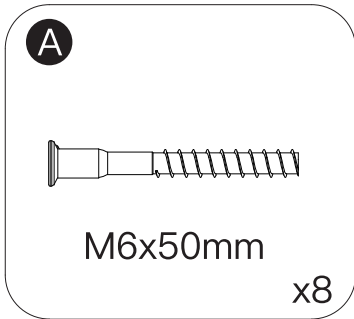
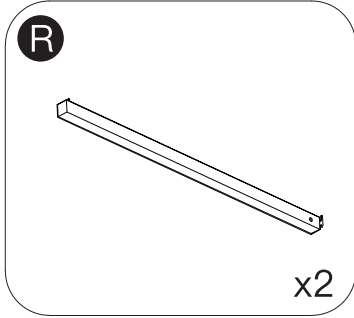
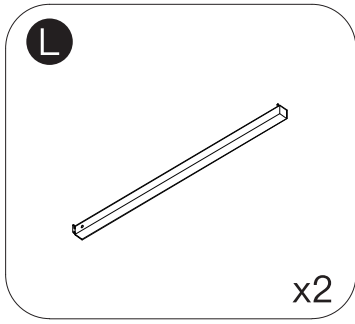
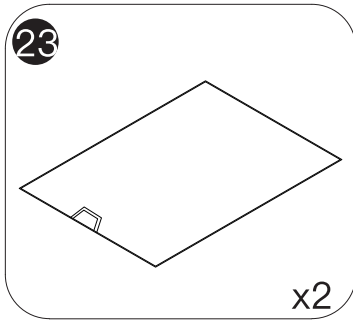
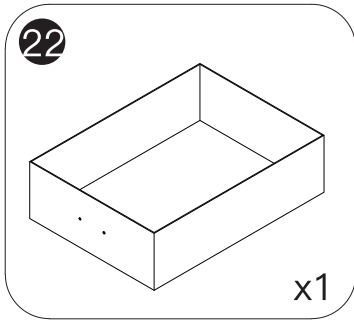
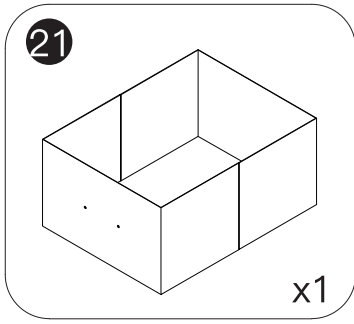


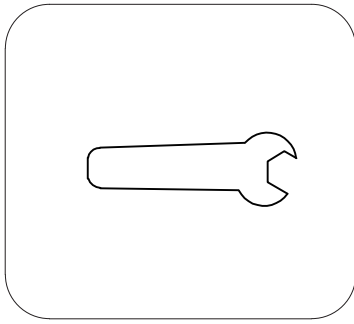
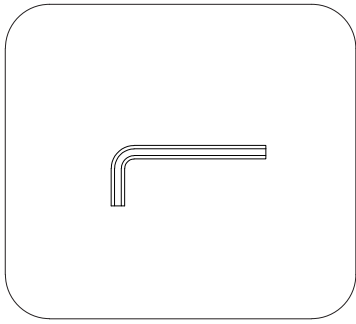
Please check all parts and accessories according to the parts list before assembling, make sure all contents are sufficient and in good condition.

If there is any parts missing or defective, please contact us with purchase platform message immediately to get replacement parts.

## PARTS:




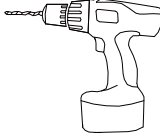




**⚠ CAUTION:**

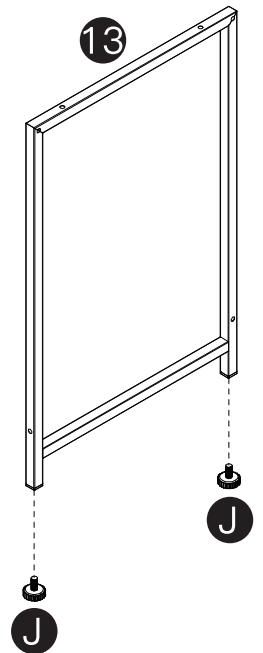
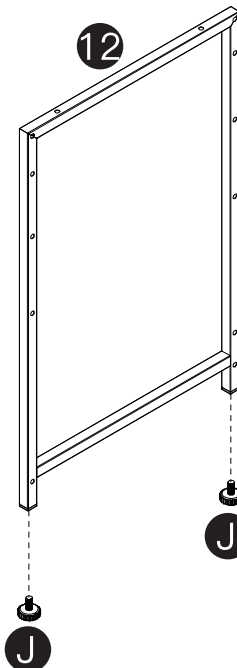
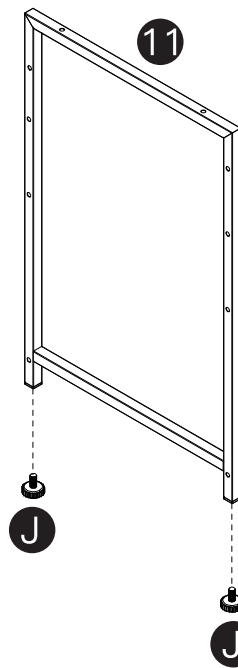
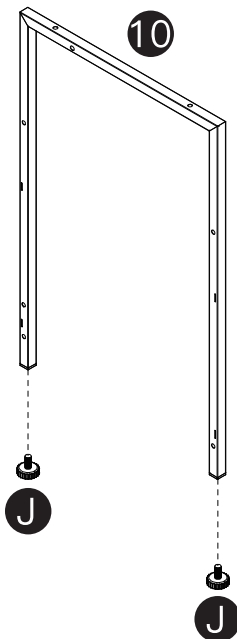
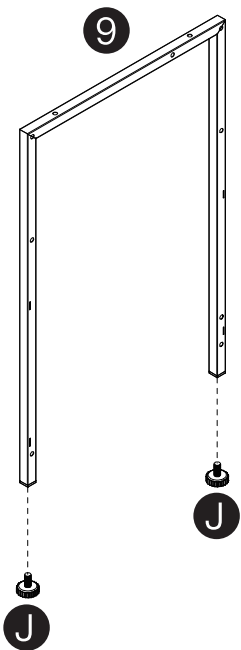
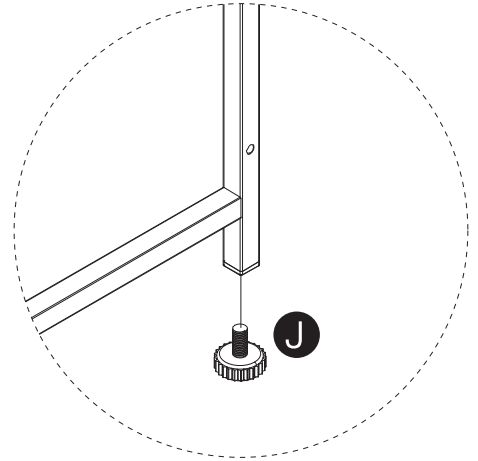
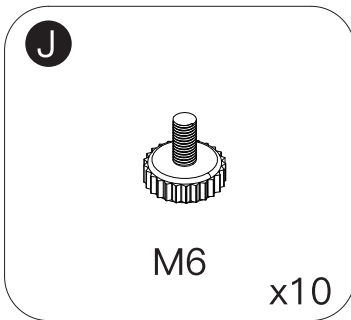
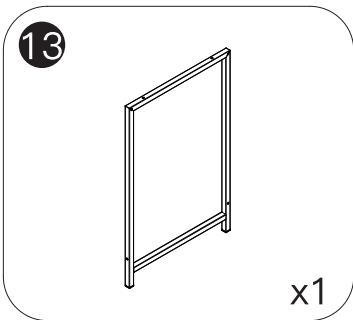
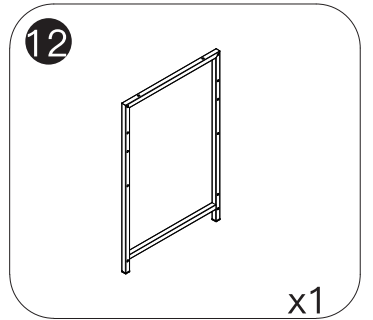
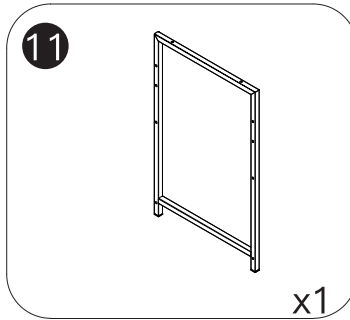
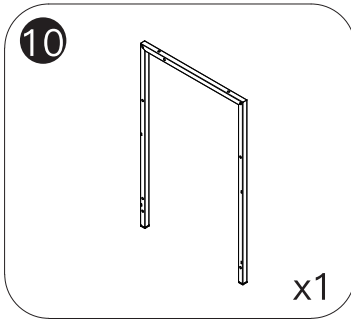
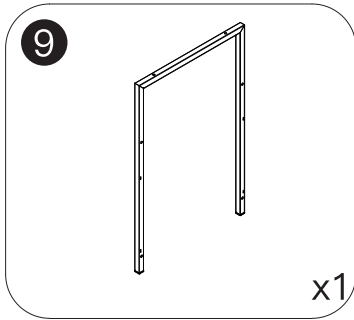
**READ THE INSTRUCTION MANUAL BEFORE ASSEMBLING**

- READ THE INSTRUCTION MANUAL BEFORE ASSEMBLING
- IDENTIFY, SORT AND COUNT ALL THE PARTS WITH TAGS
- ASSEMBLE IN AN AREA WITH PLENTY OF SPACE
- READ EACH STEP BEFORE BEGINNING CONSTRUCTION
- ASSEMBLE ACCORDING TO THE ILLUSTRATION IN CORRECT STEPS
- NEVER FORCE THE SCREWS OF FITTINGS
- KEEP THIS MANUAL FOR FUTURE REFERENCE
- TIGHTEN ALL THE SCREWS EVERY 6 MONTHS
- SHIFT OR DRAG THE DESK AFTER ASSEMBLY CAREFULLY
- POWER TOOLS SHOULD NOT BE USED TO ASSEMBLE THIS DESK

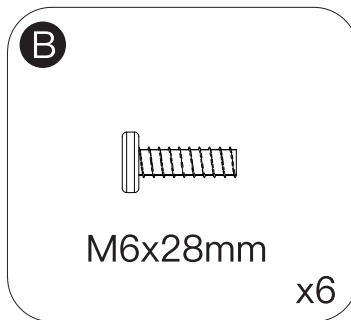
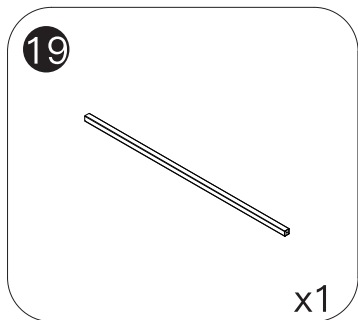
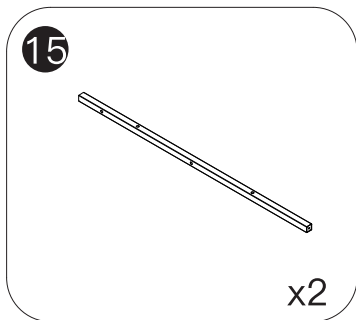
	YES
	NO

# TYPE-A INSTALLATION

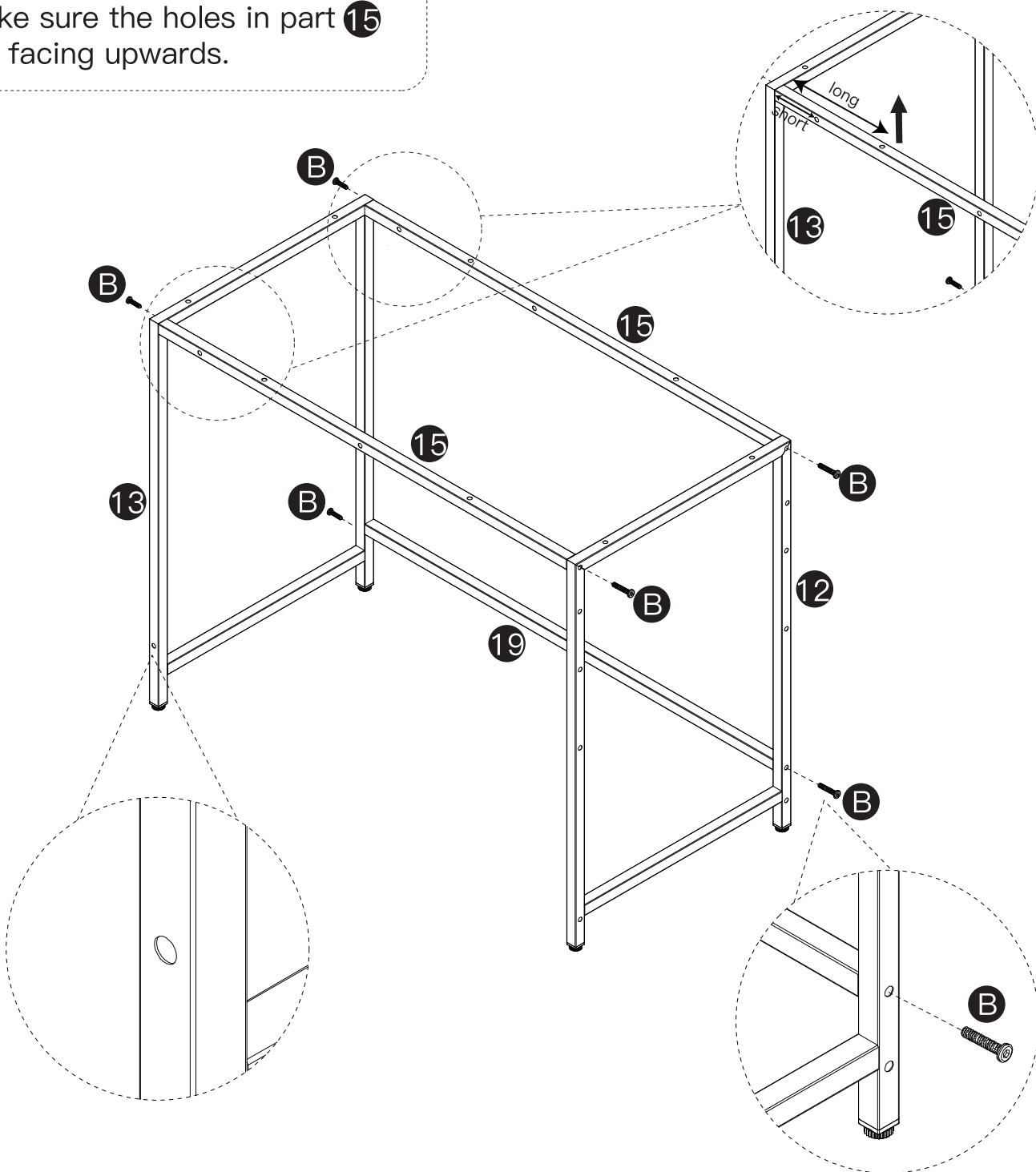
## STEP 1



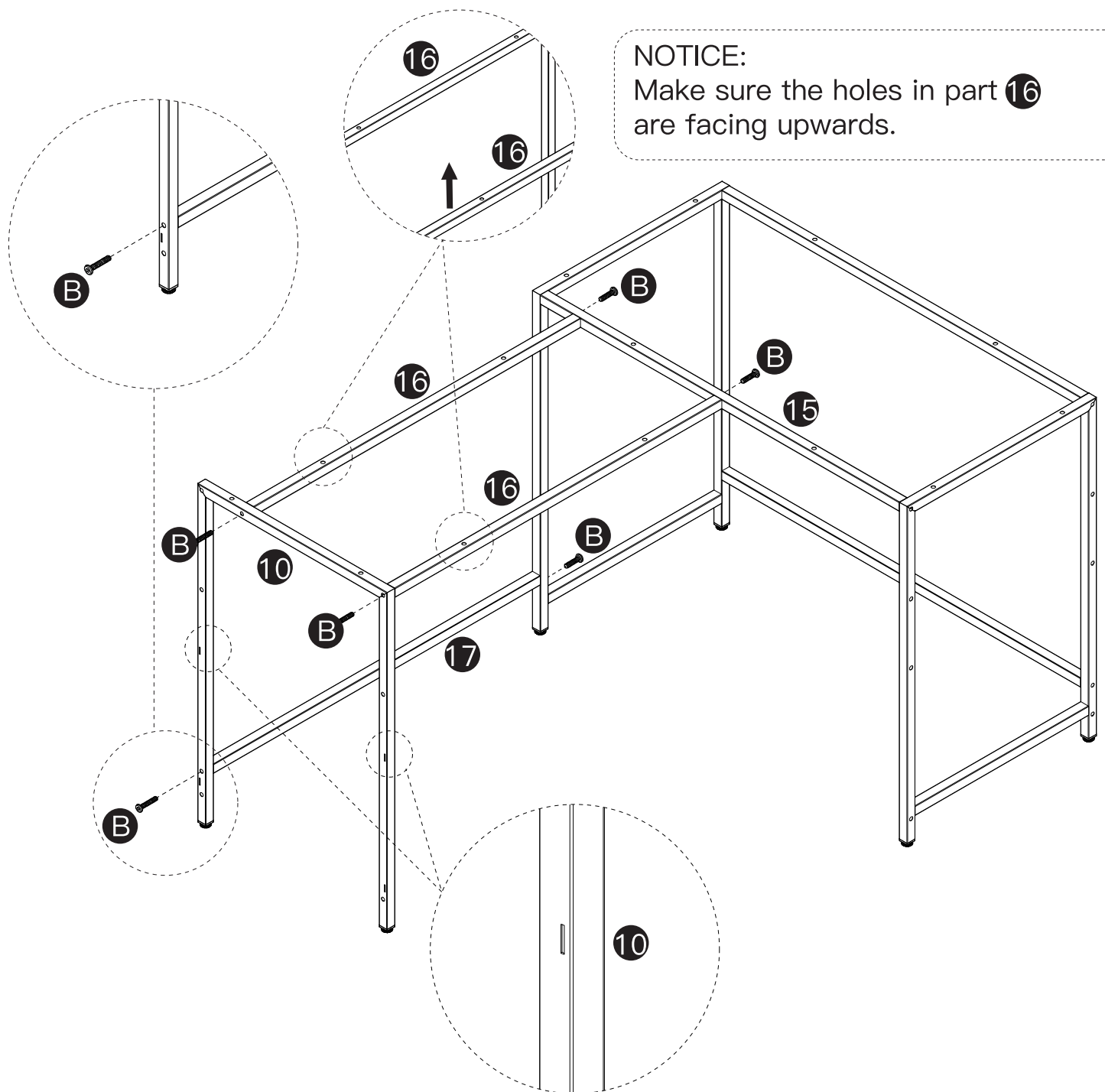
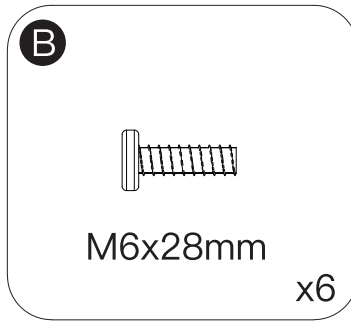
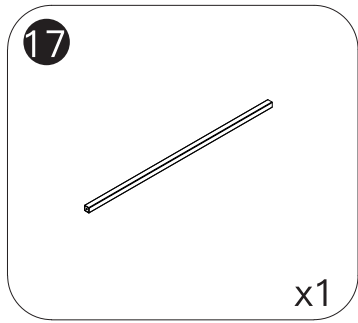
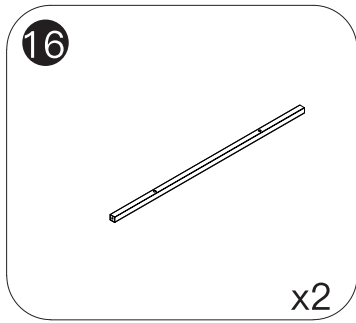
# STEP 2



NOTICE:  
Make sure the holes in part 15 are facing upwards.

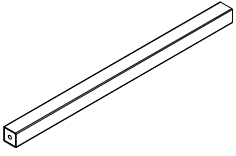


# STEP 3



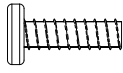
# STEP 4

18



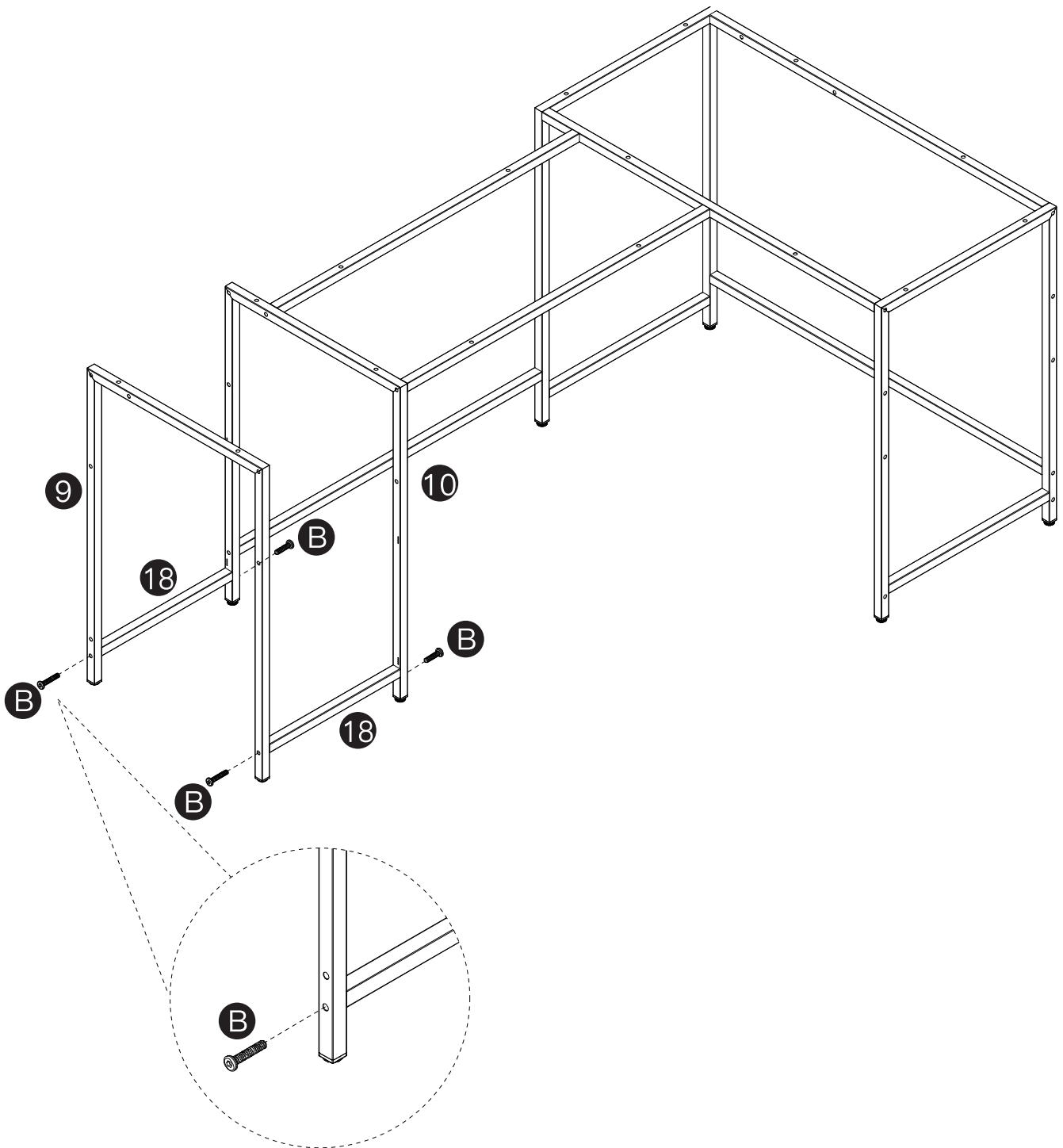
x2

B

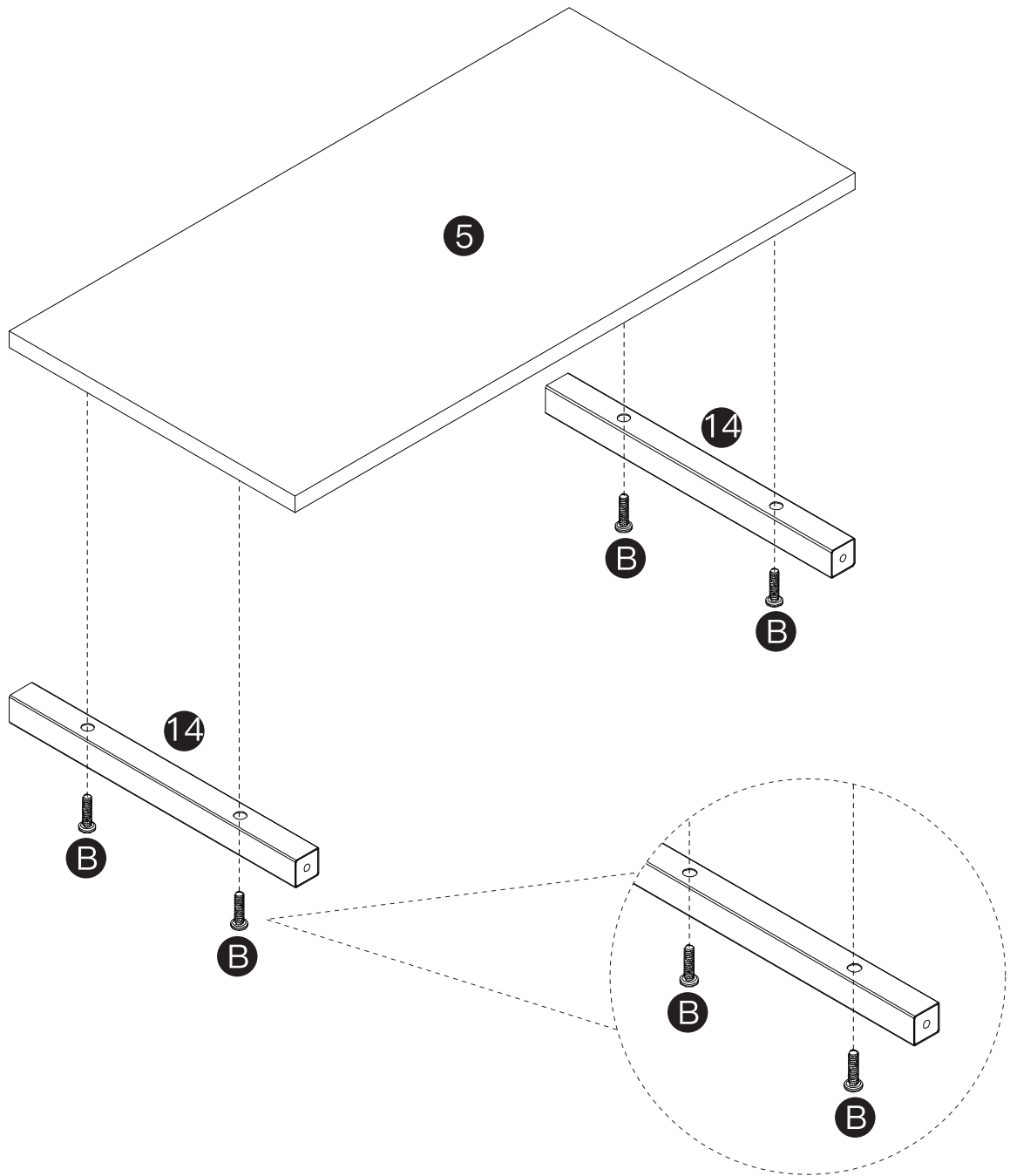
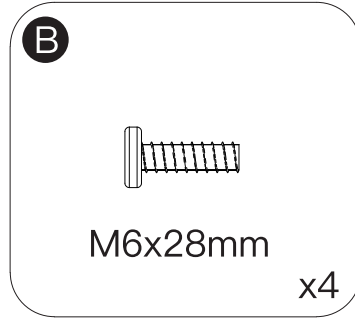
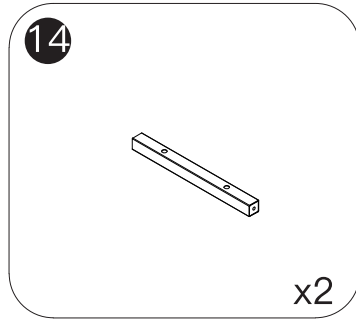
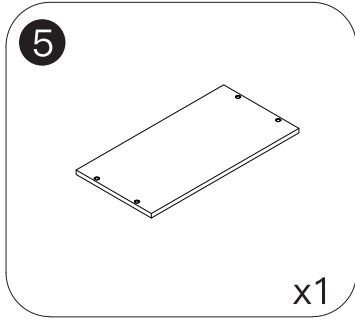


M6x28mm

x4

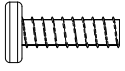


# STEP 5



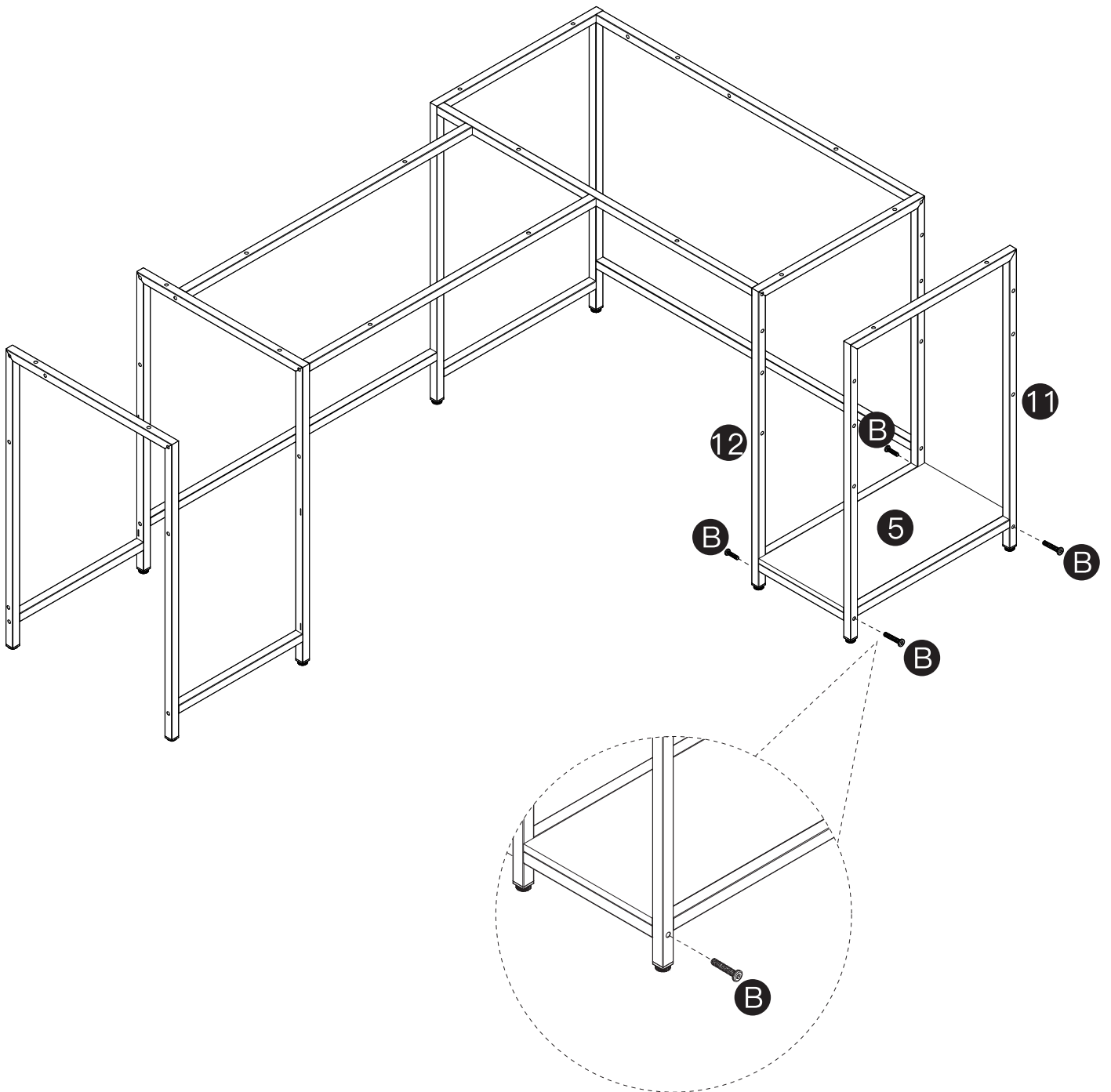
# STEP 6

**B**

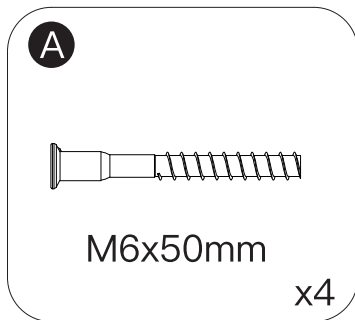
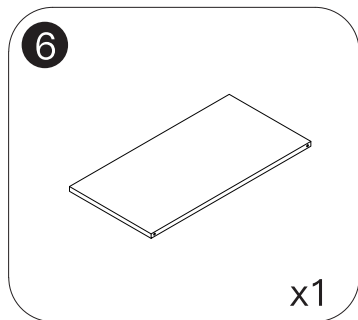


M6x28mm

x4

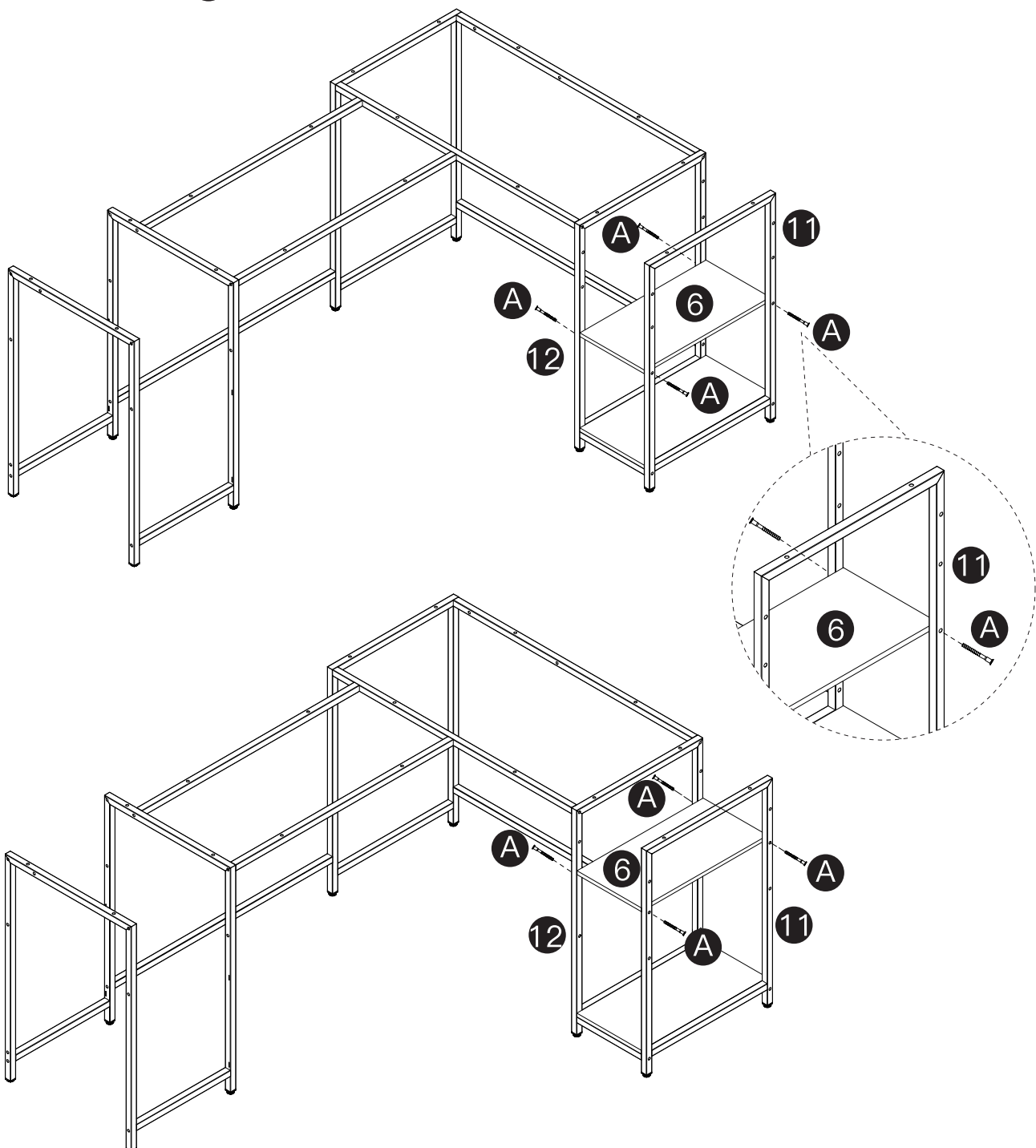


# STEP 7



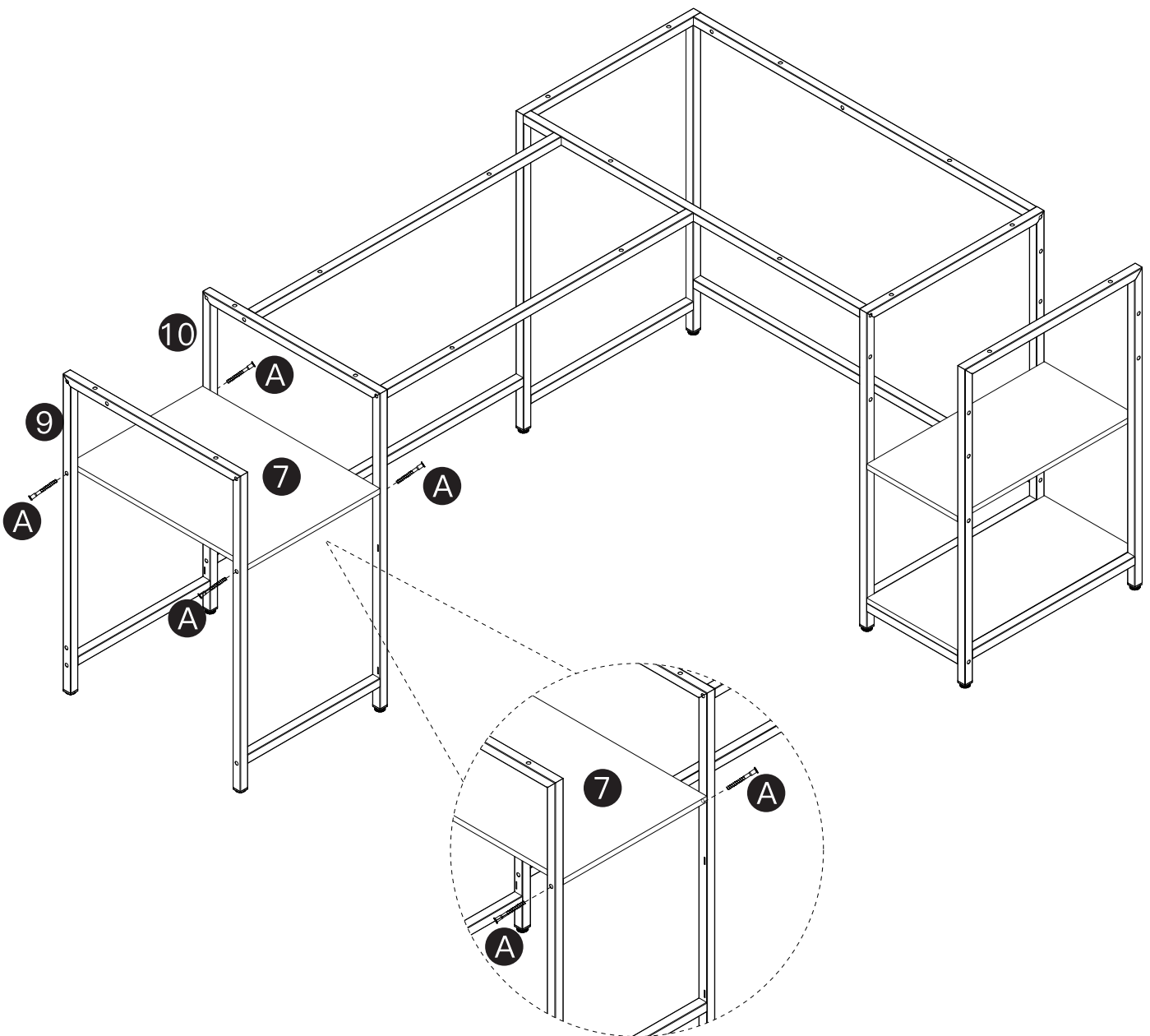
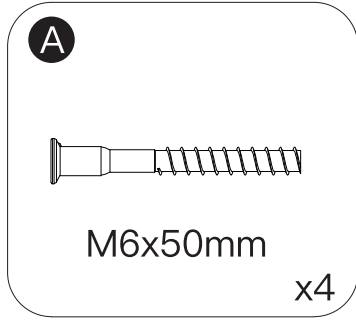
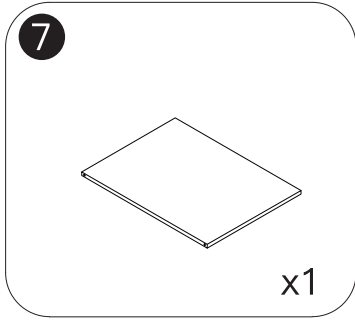
## NOTICE:

The position of part 6 can be adjusted.

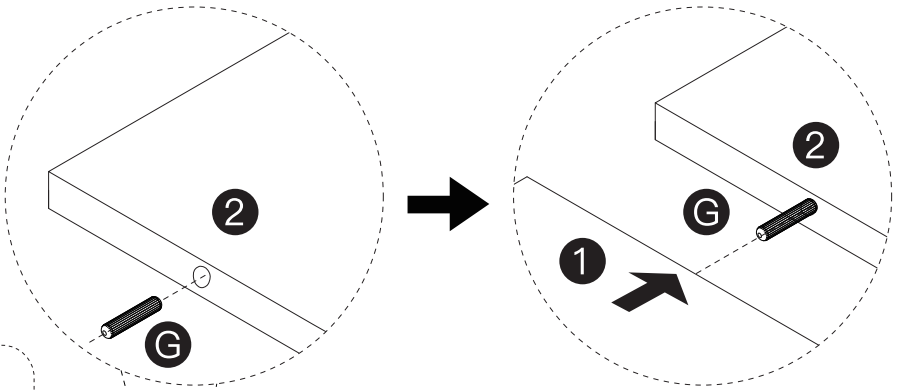
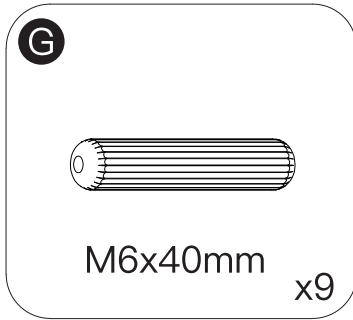
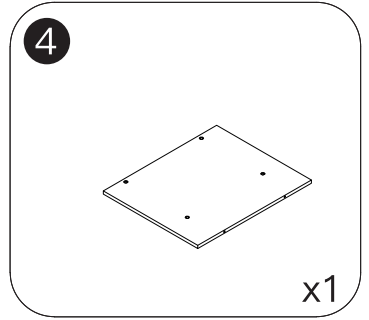
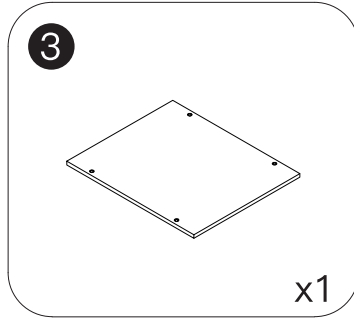
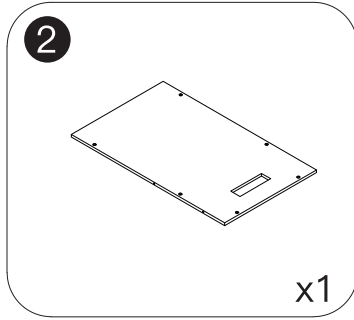
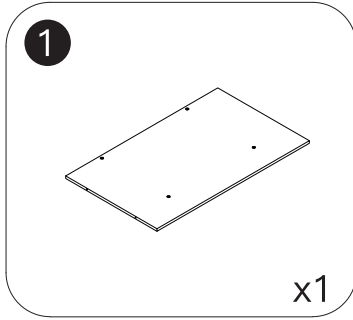


or

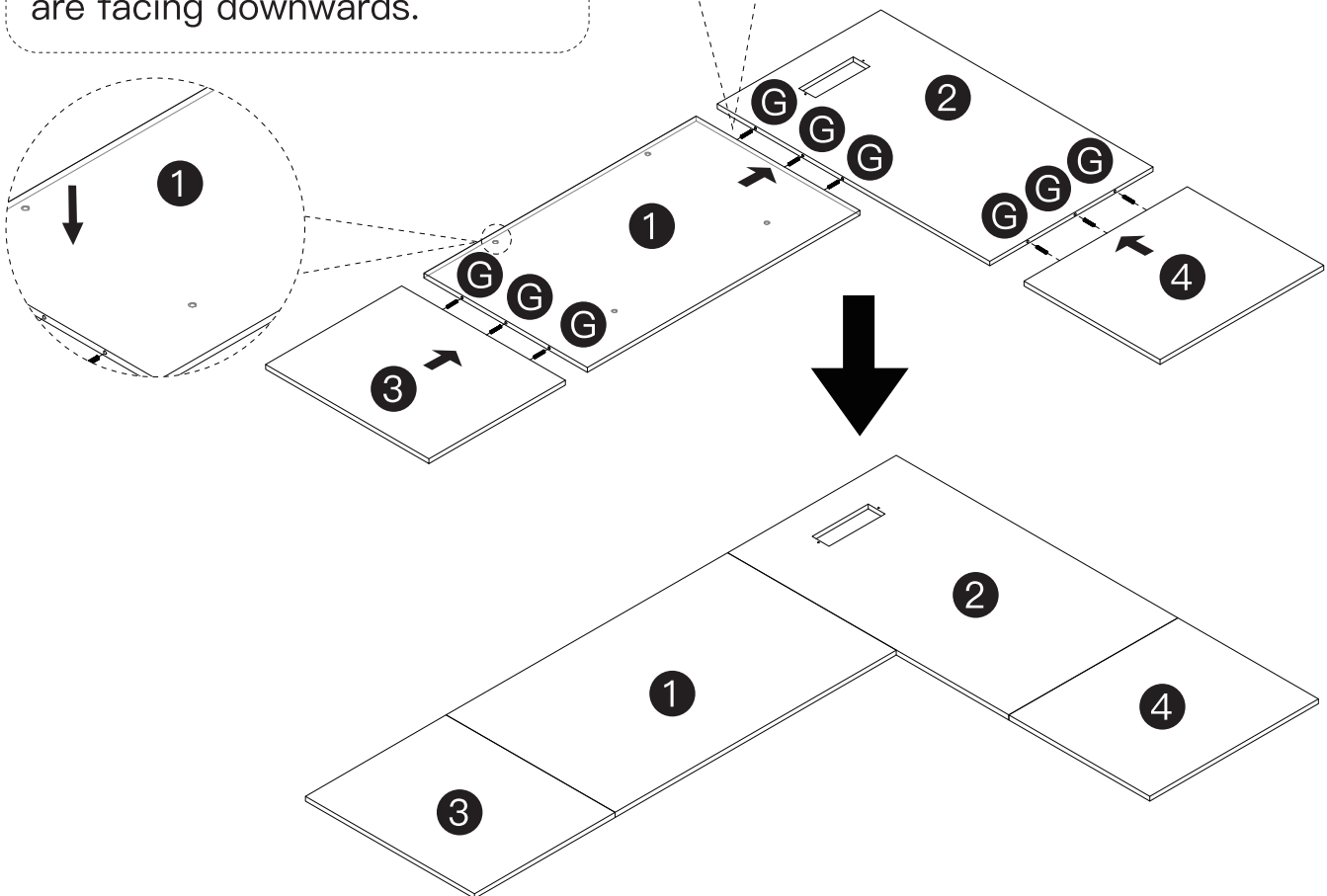
# STEP 8



# STEP 9



**NOTICE:**  
Make sure the holes in part 1 are facing downwards.

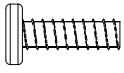


## NOTICE:

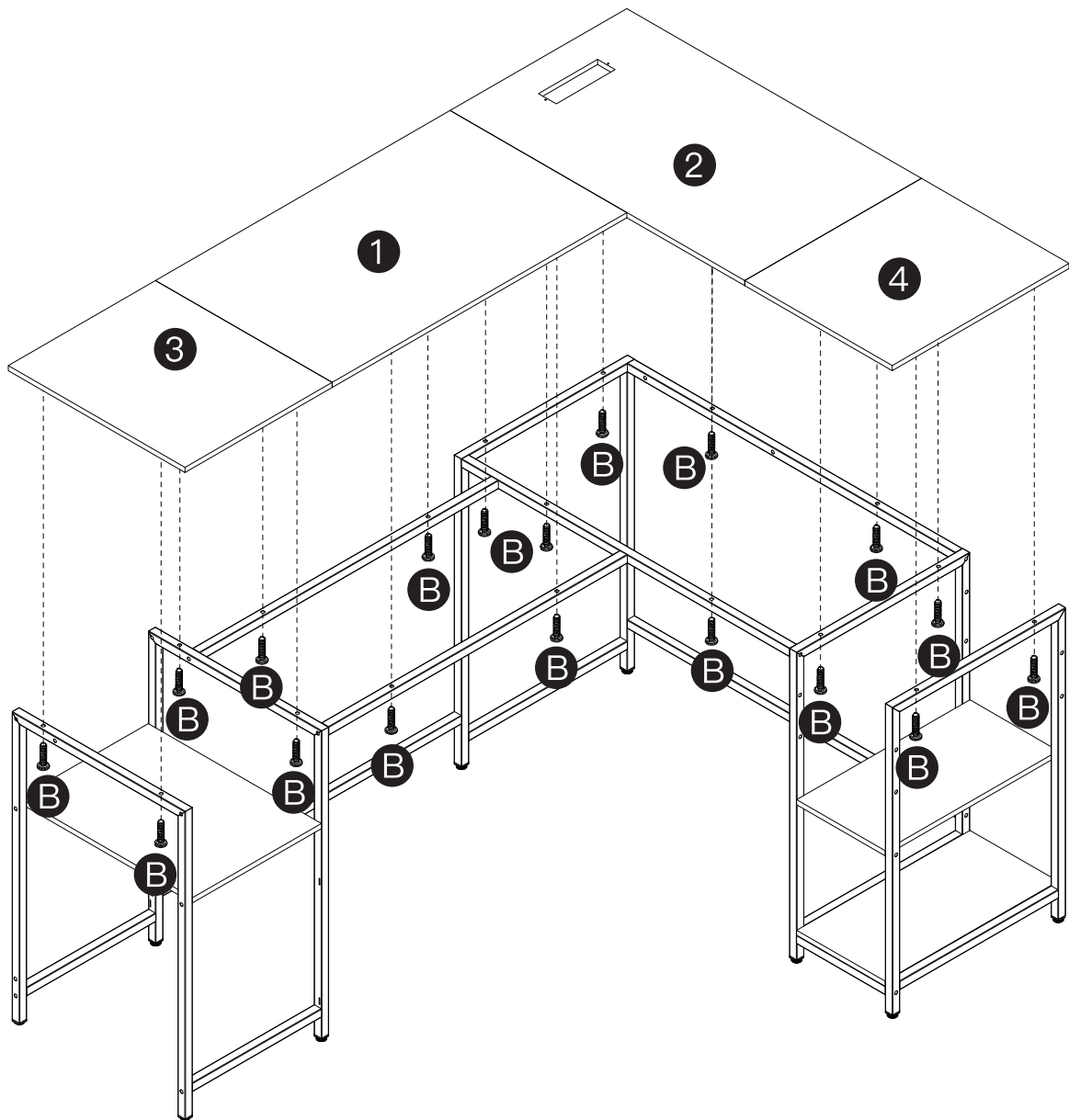
Ensure that Part 3 Part 1 Part 2 & Part 4 are lifted on the same horizontal line to prevent the wood chips from breaking.

# STEP 10

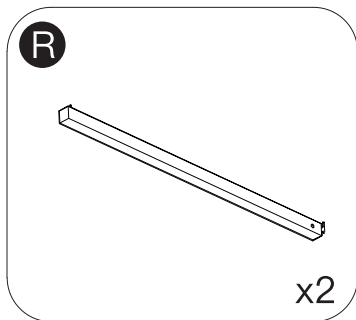
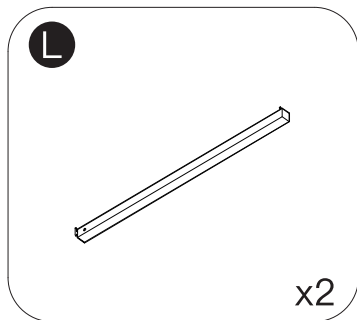
**B**



M6x28mm  
x18

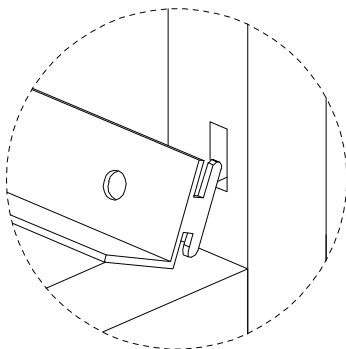
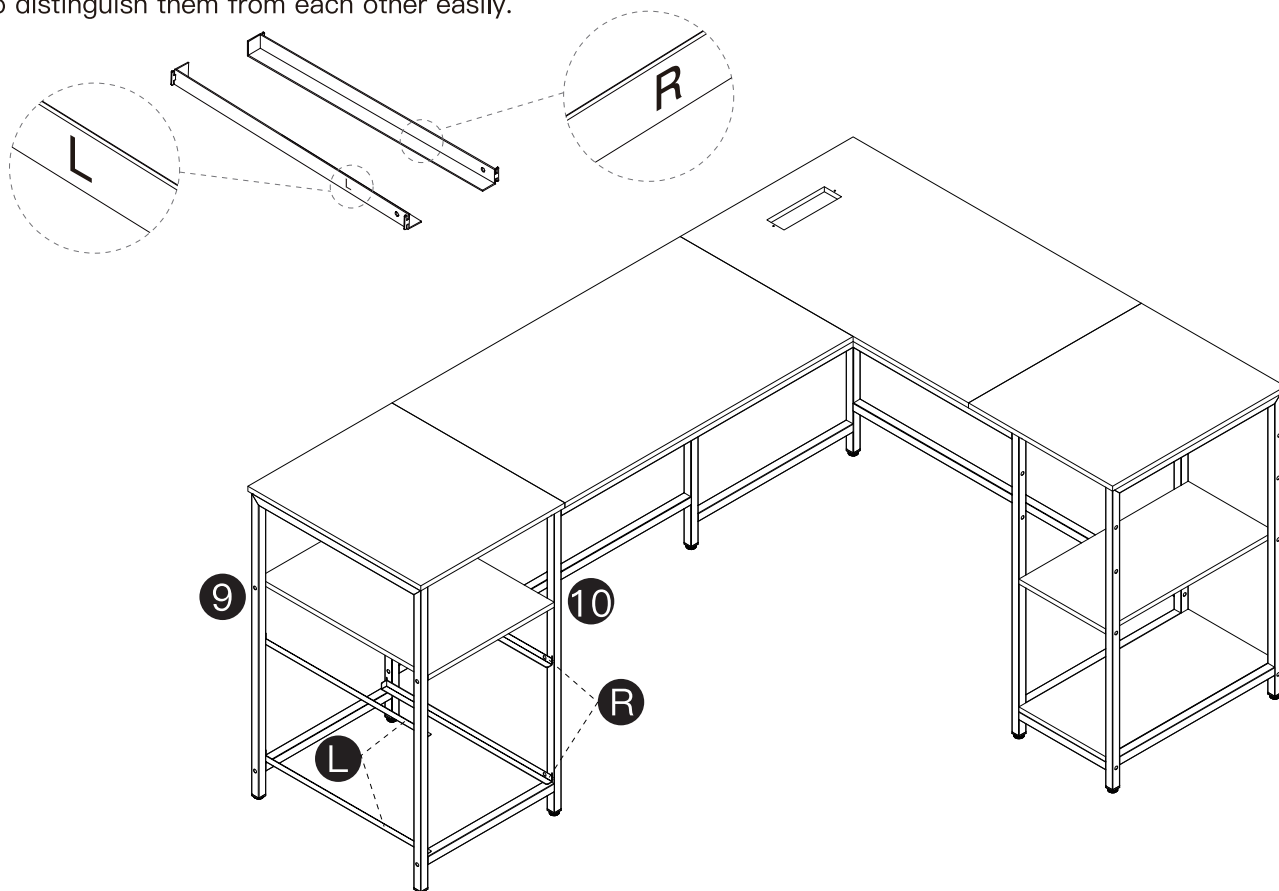


# STEP 11

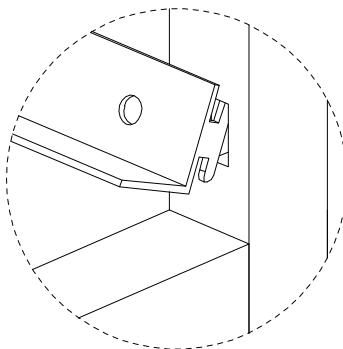


## NOTICE:

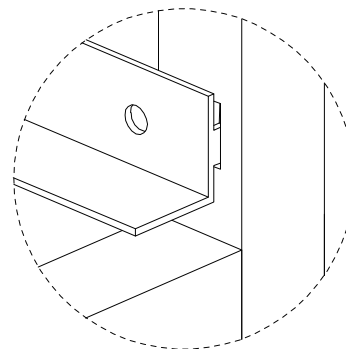
There's a corresponding L and R mark on each part located in a specified spot designed to distinguish them from each other easily.



Insert the upper part into the square hole.

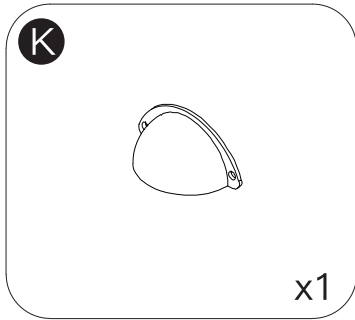
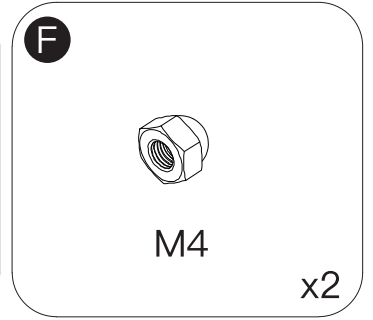
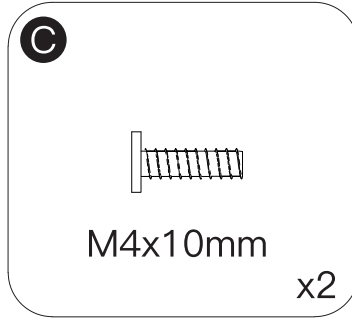
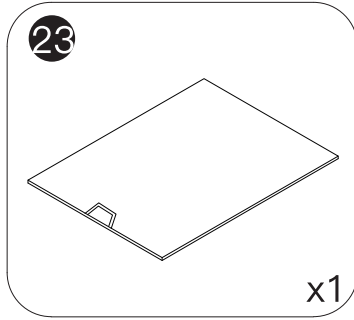
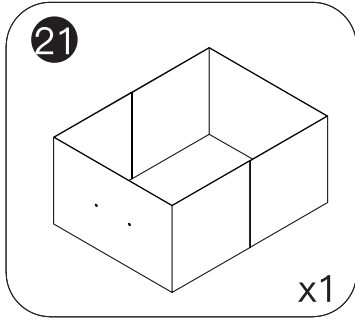


Then insert the rest part horizontally.

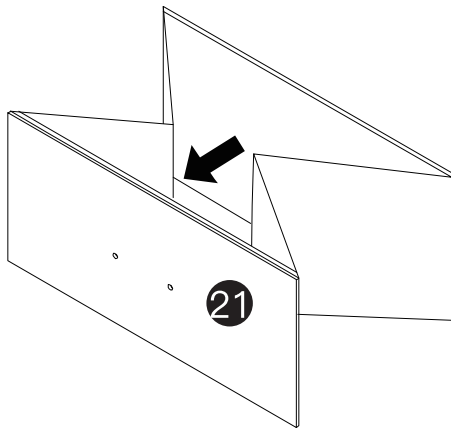


Press down the rail to ensure proper installation.

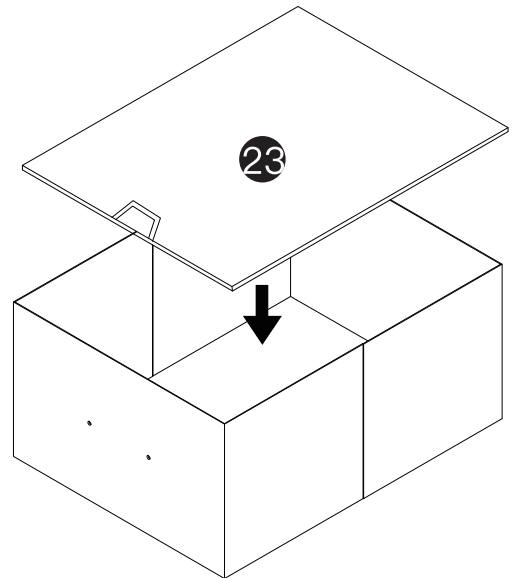
# STEP 12



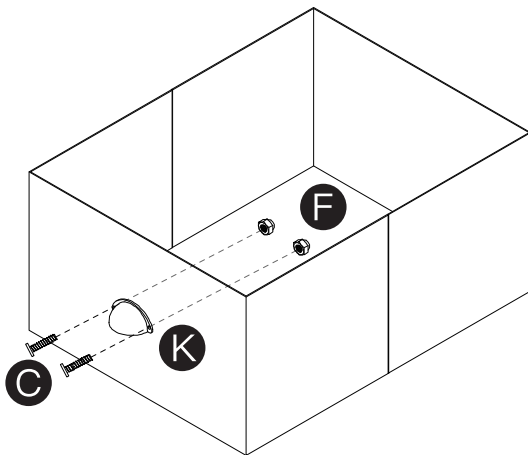
1



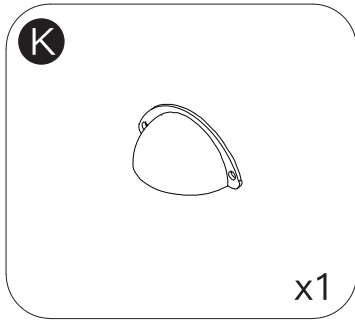
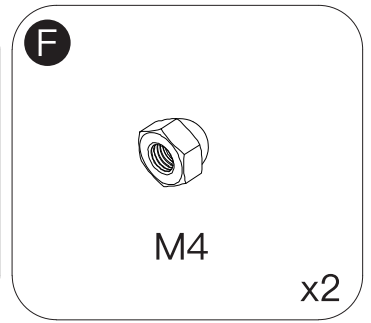
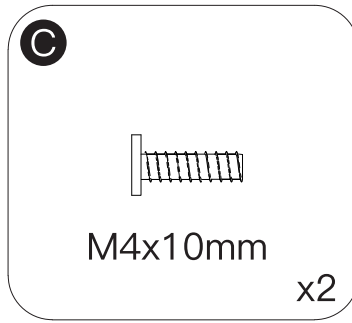
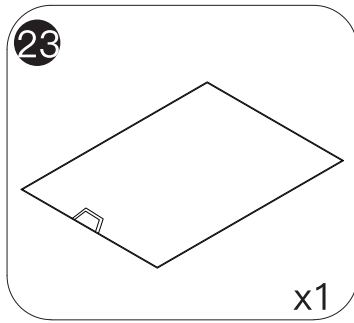
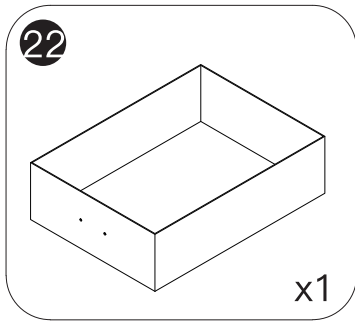
2



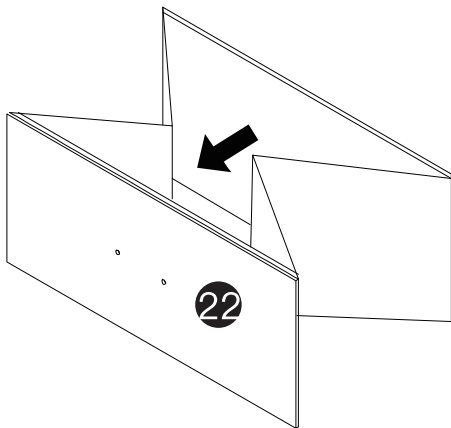
3



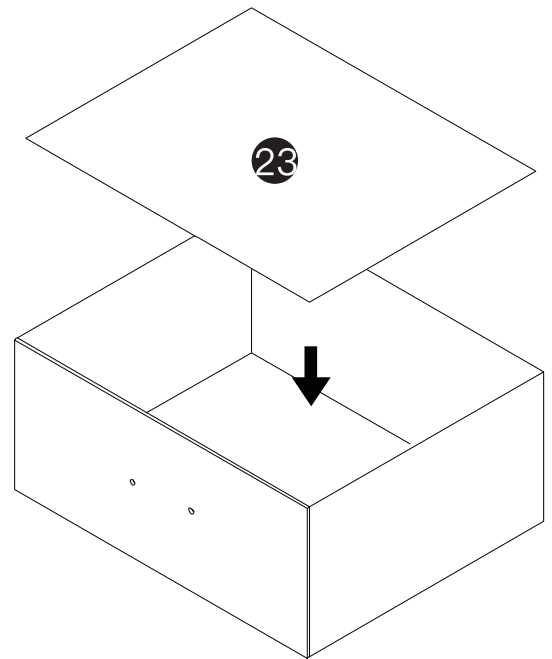
# STEP 13



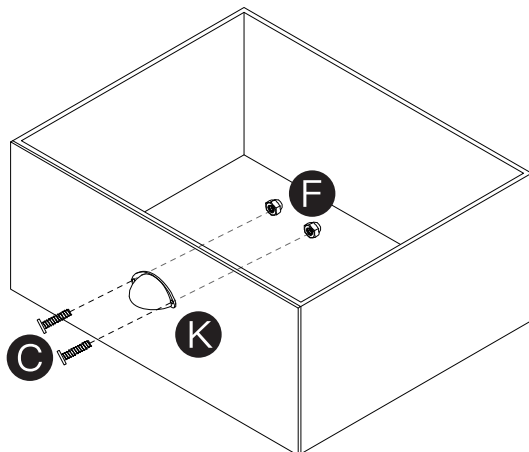
1



2

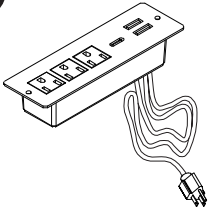


3



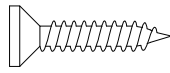
# STEP 14

H



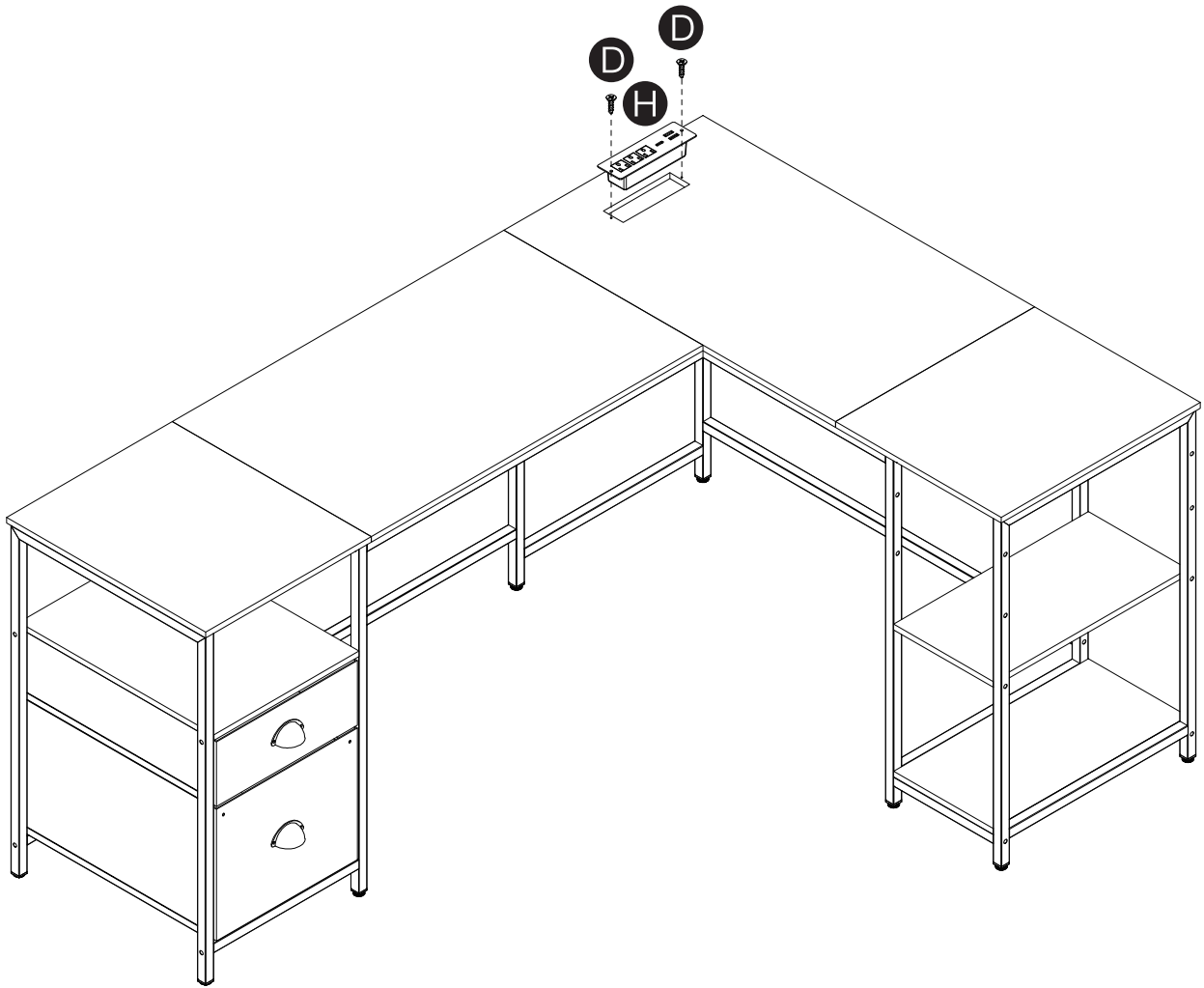
x1

D

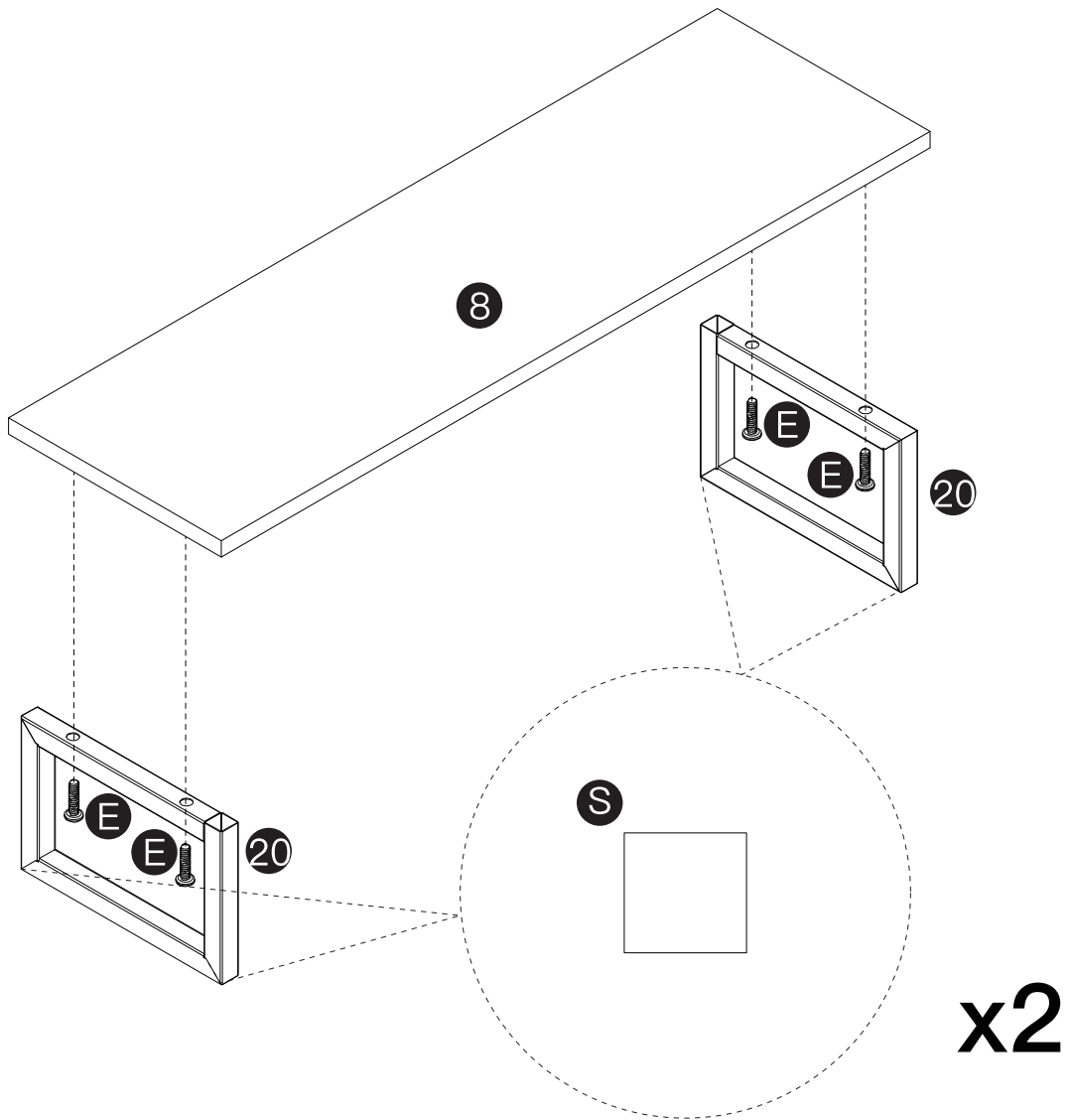
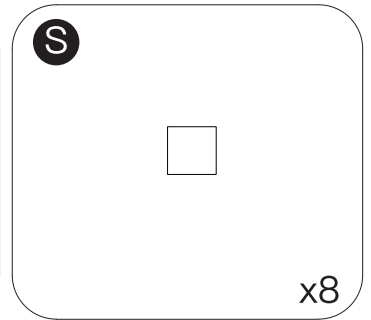
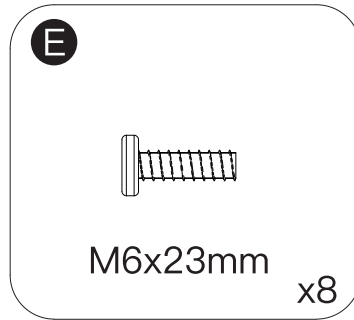
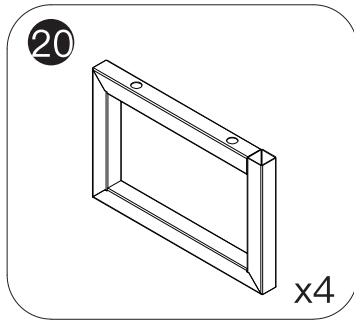
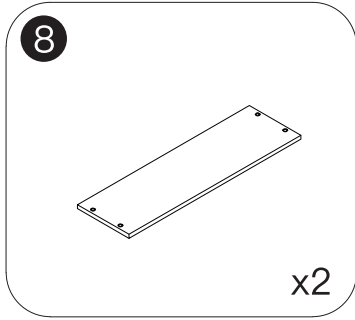


M3.5x10mm

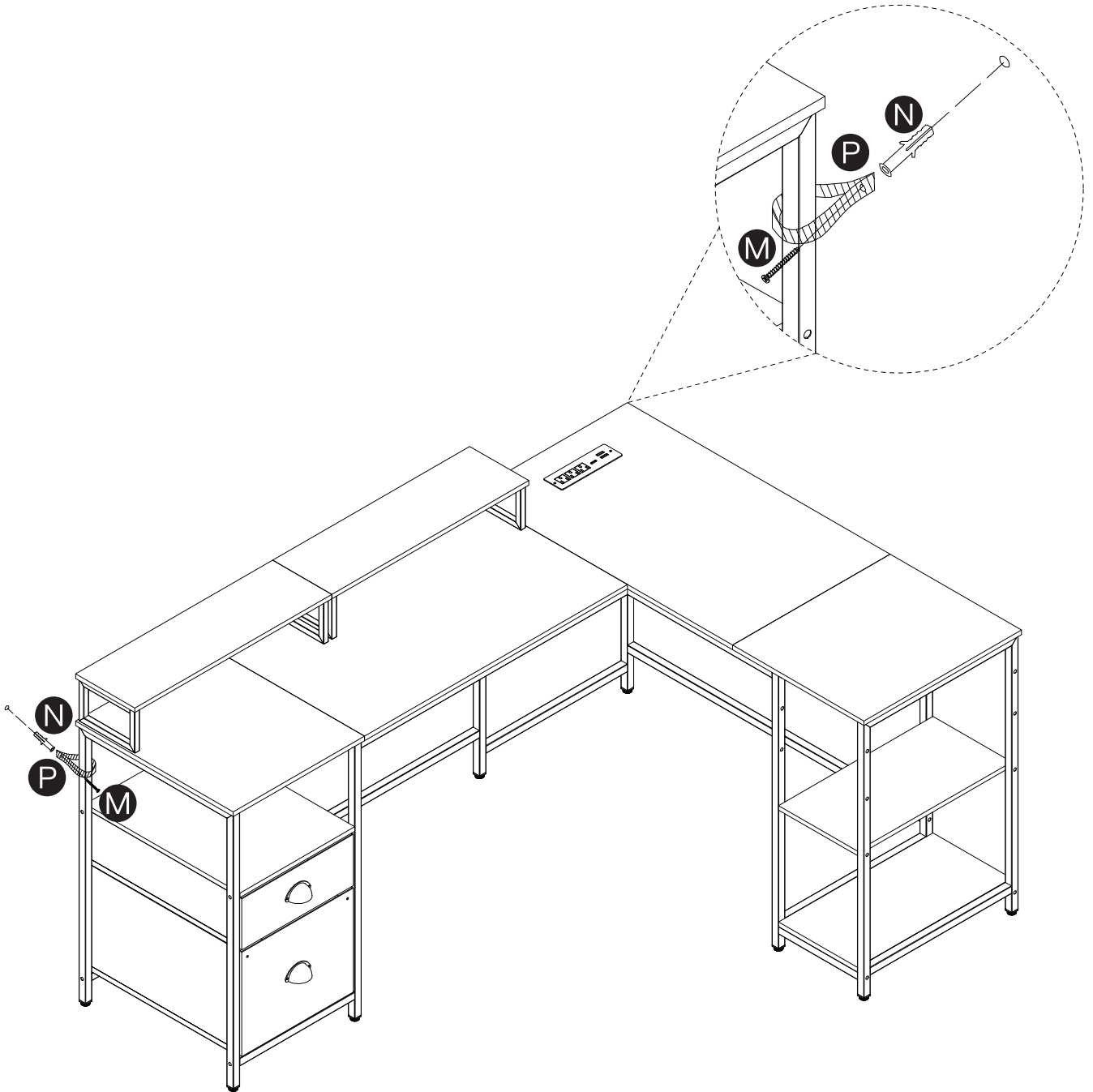
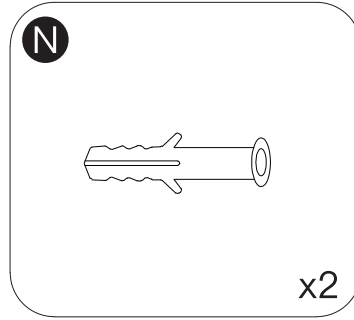
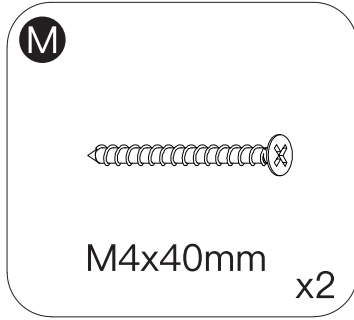
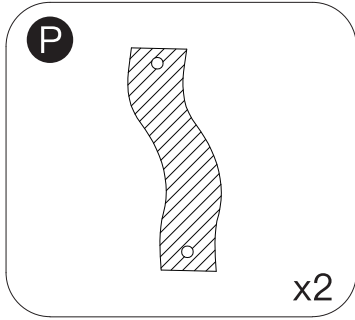
x2



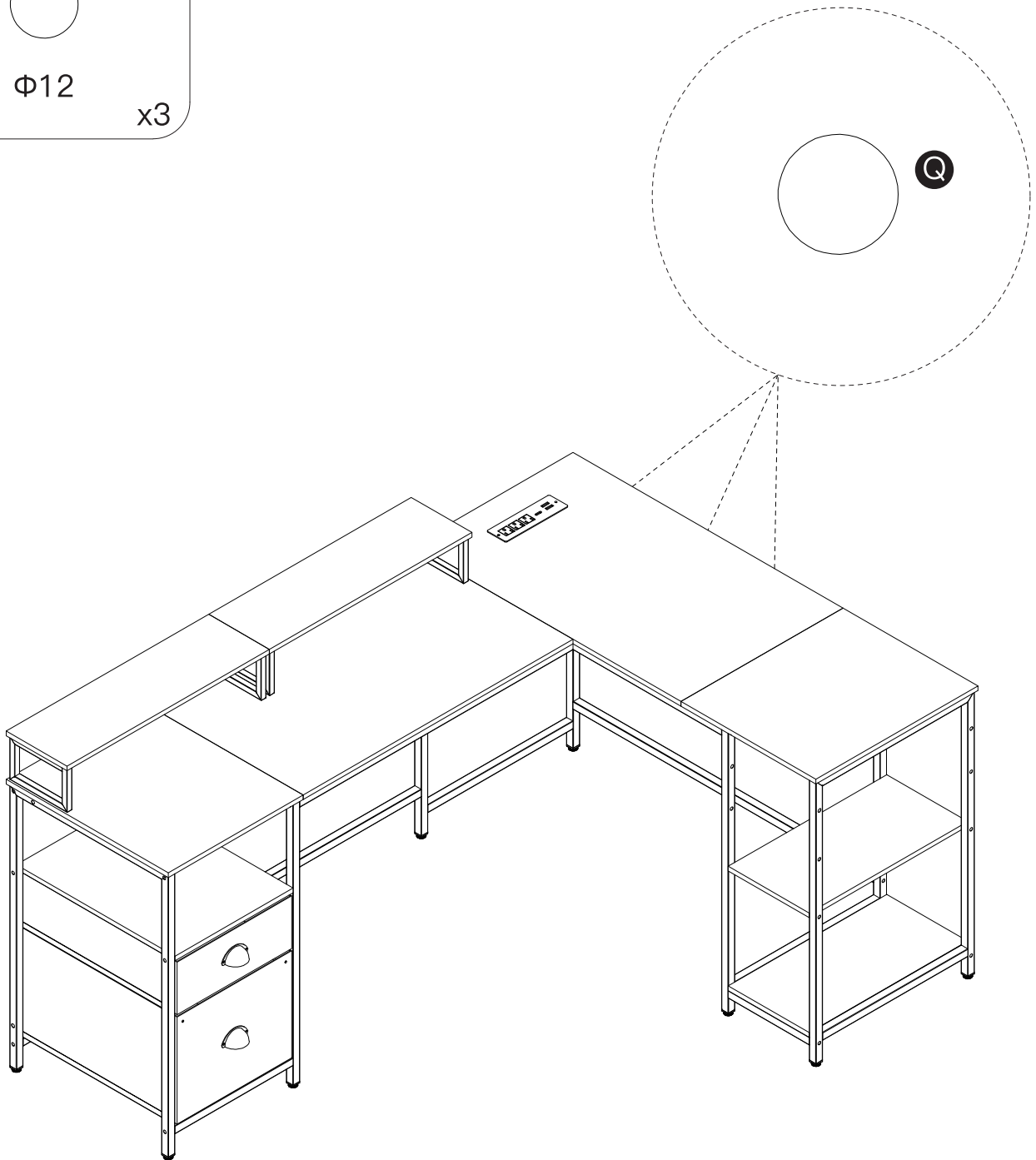
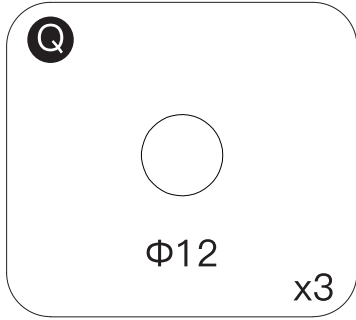
# STEP 15



# STEP 16

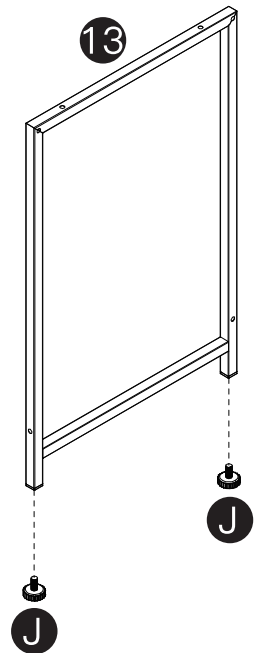
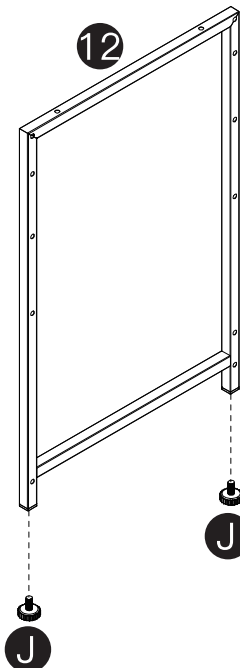
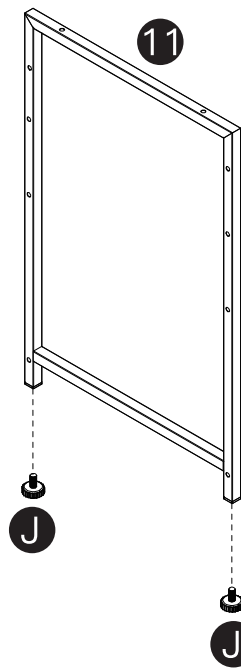
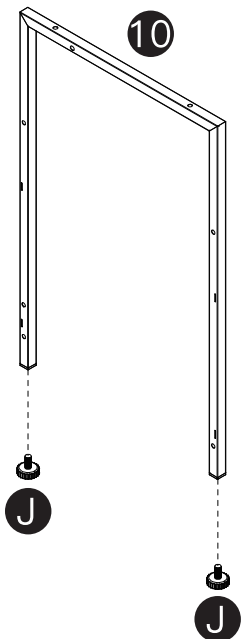
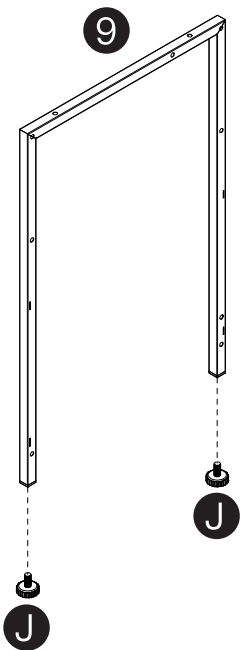
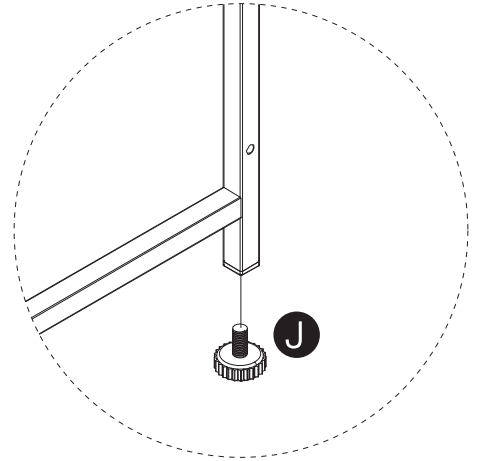
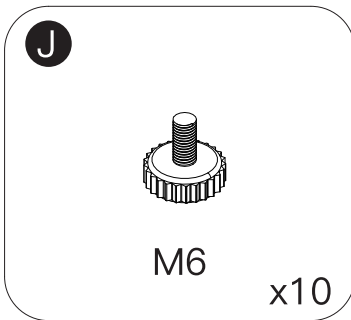
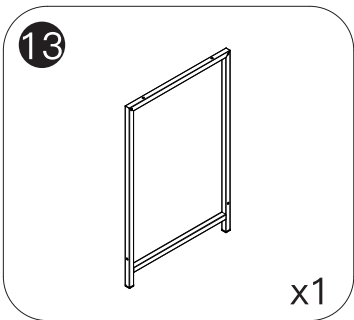
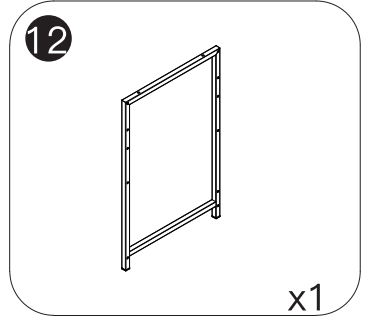
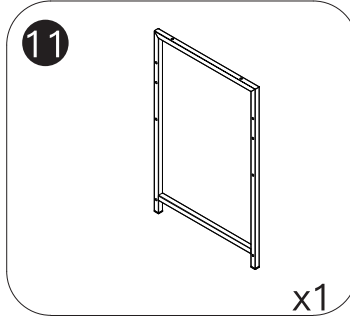
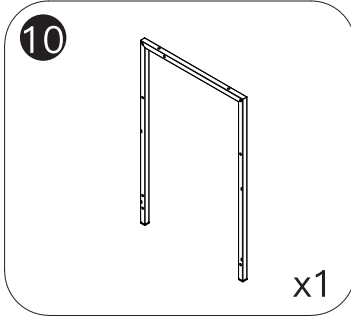
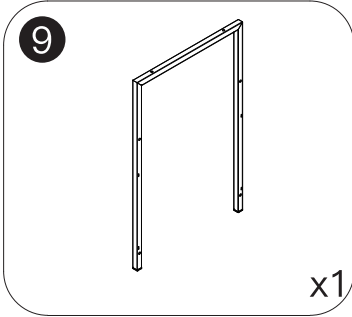


# STEP 17

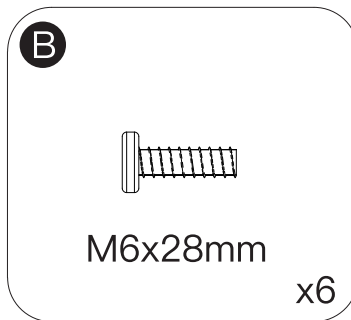
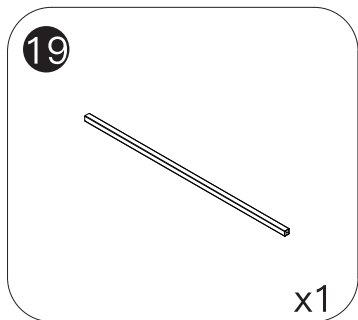
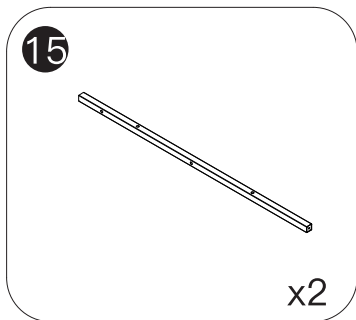


# TYPE-B INSTALLATION

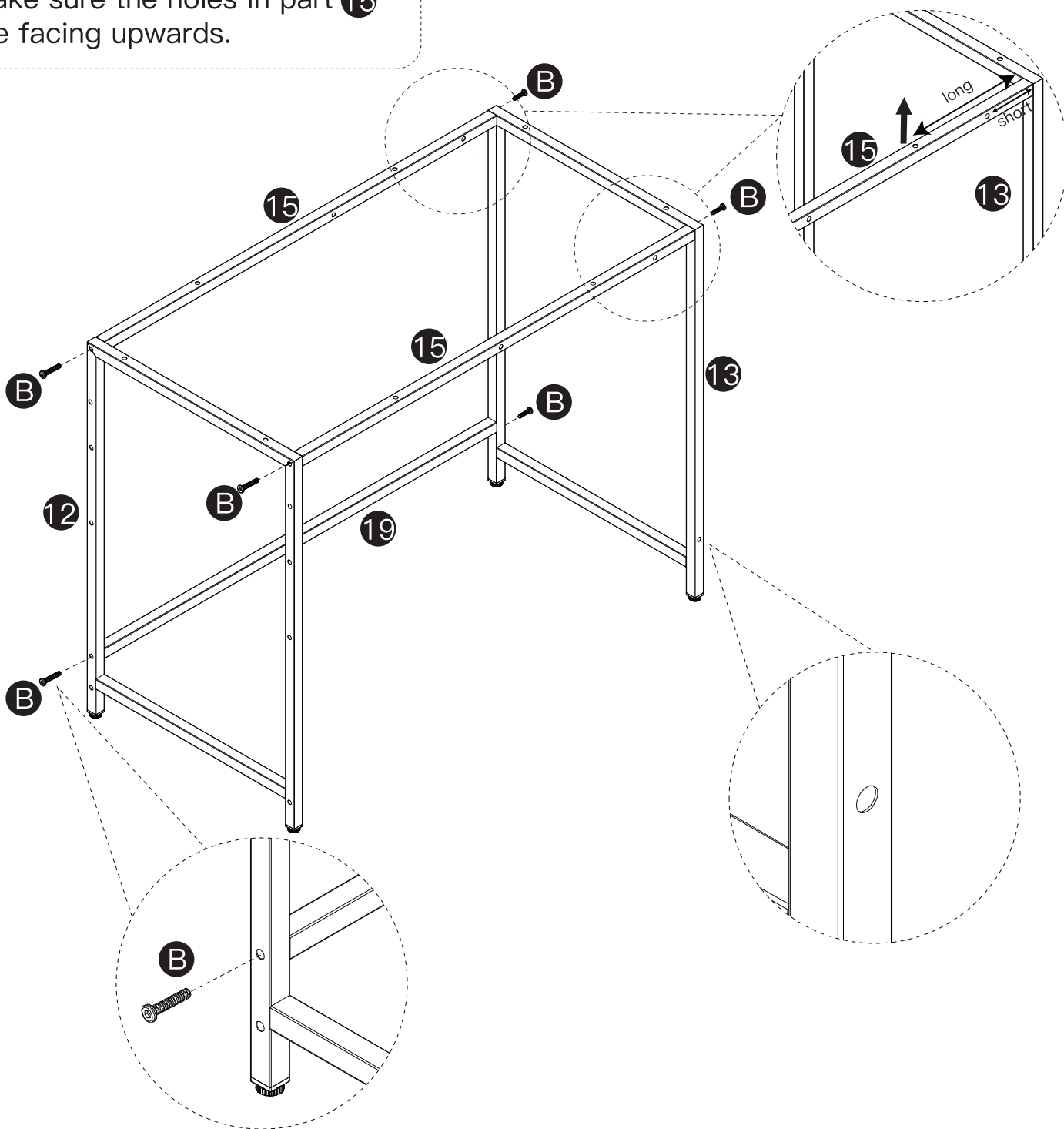
## STEP 1



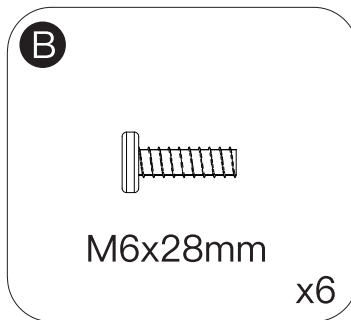
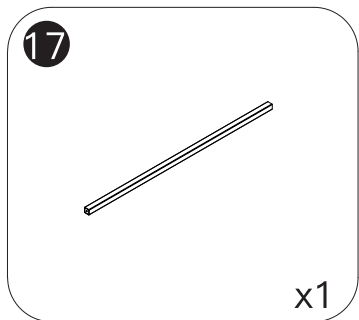
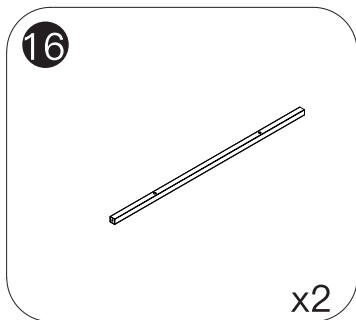
# STEP 2



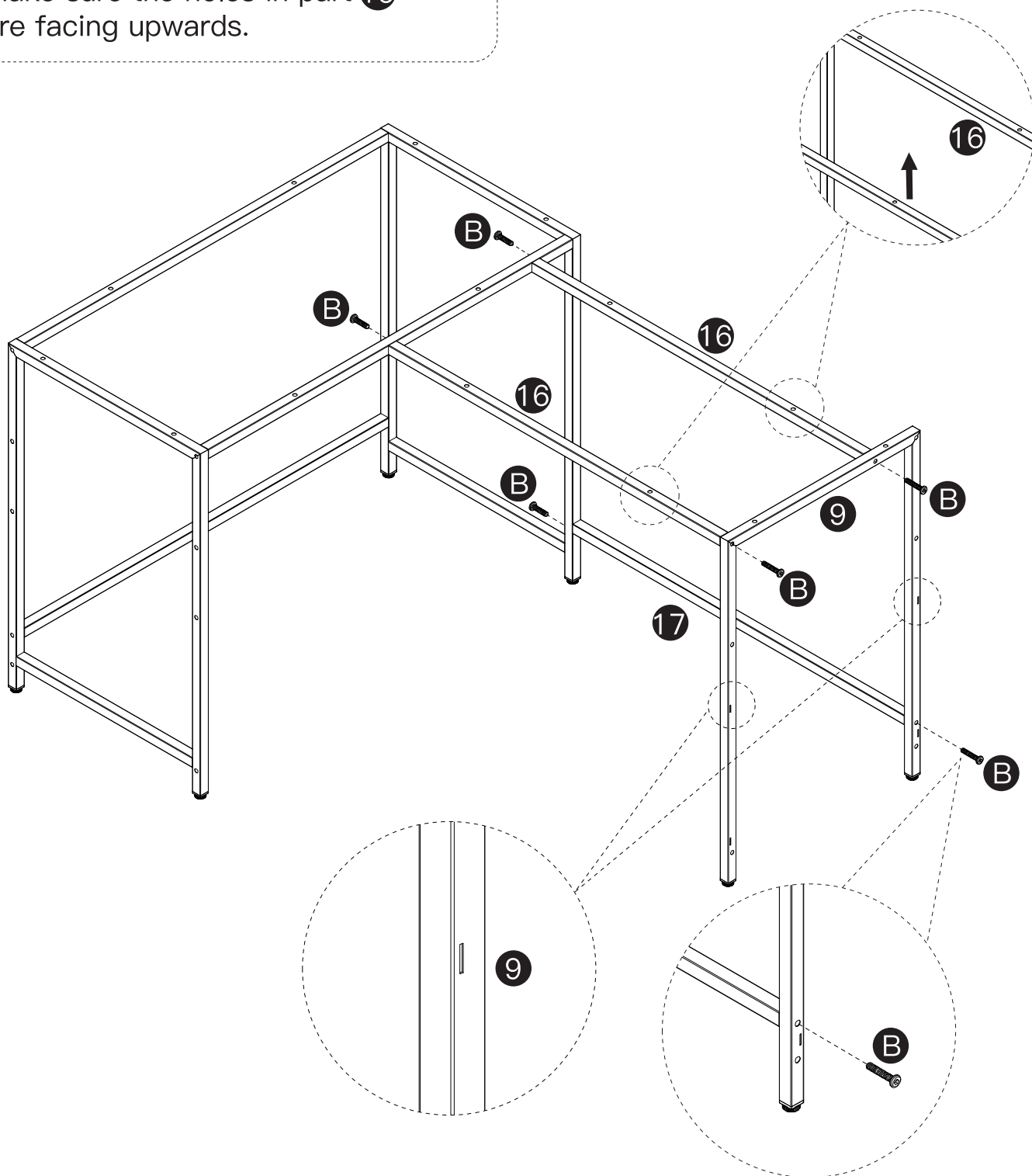
NOTICE:  
Make sure the holes in part 15 are facing upwards.



# STEP 3

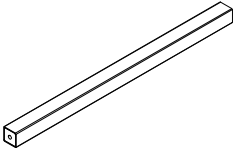


NOTICE:  
Make sure the holes in part 16  
are facing upwards.



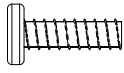
# STEP 4

18



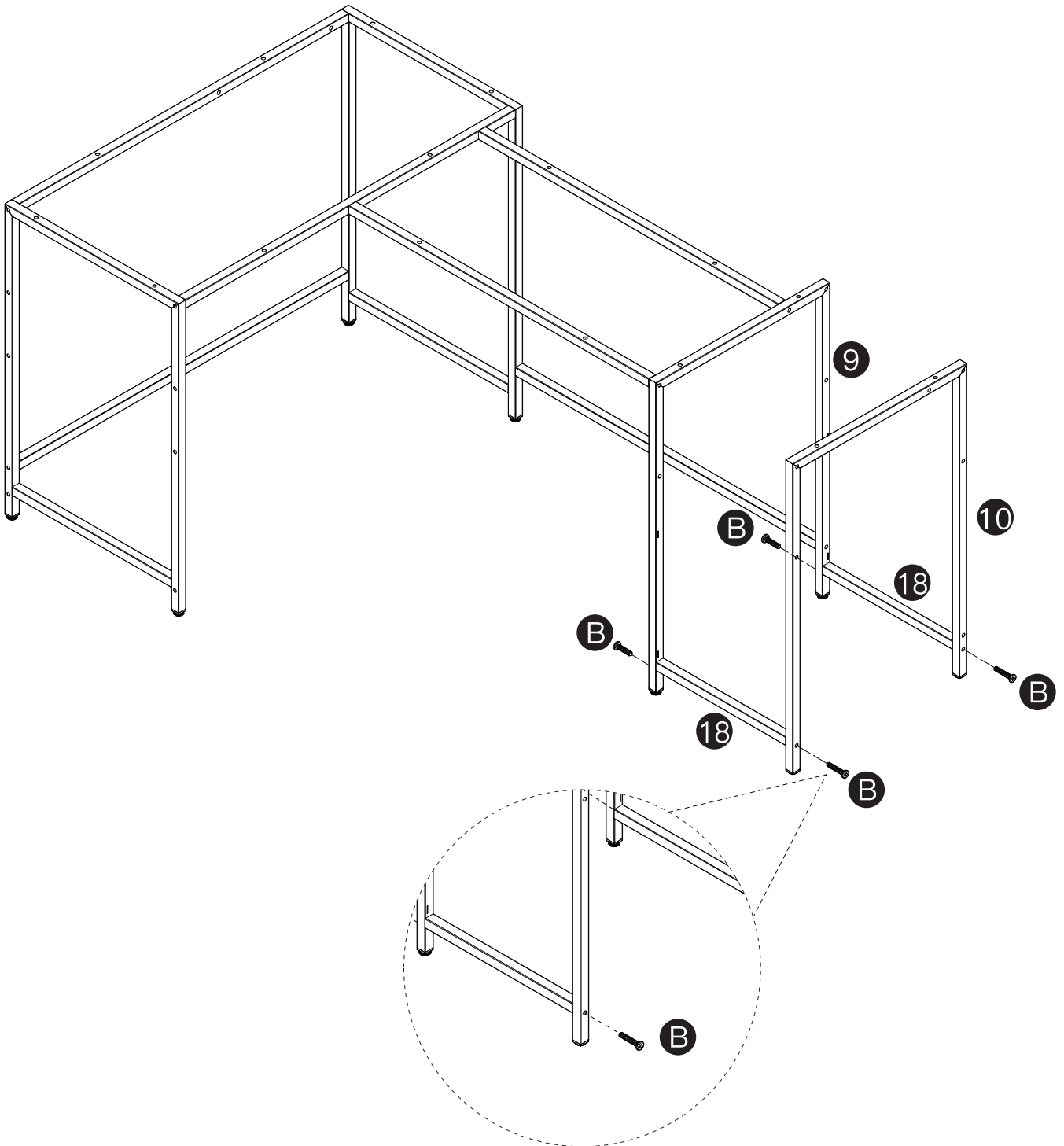
x2

B

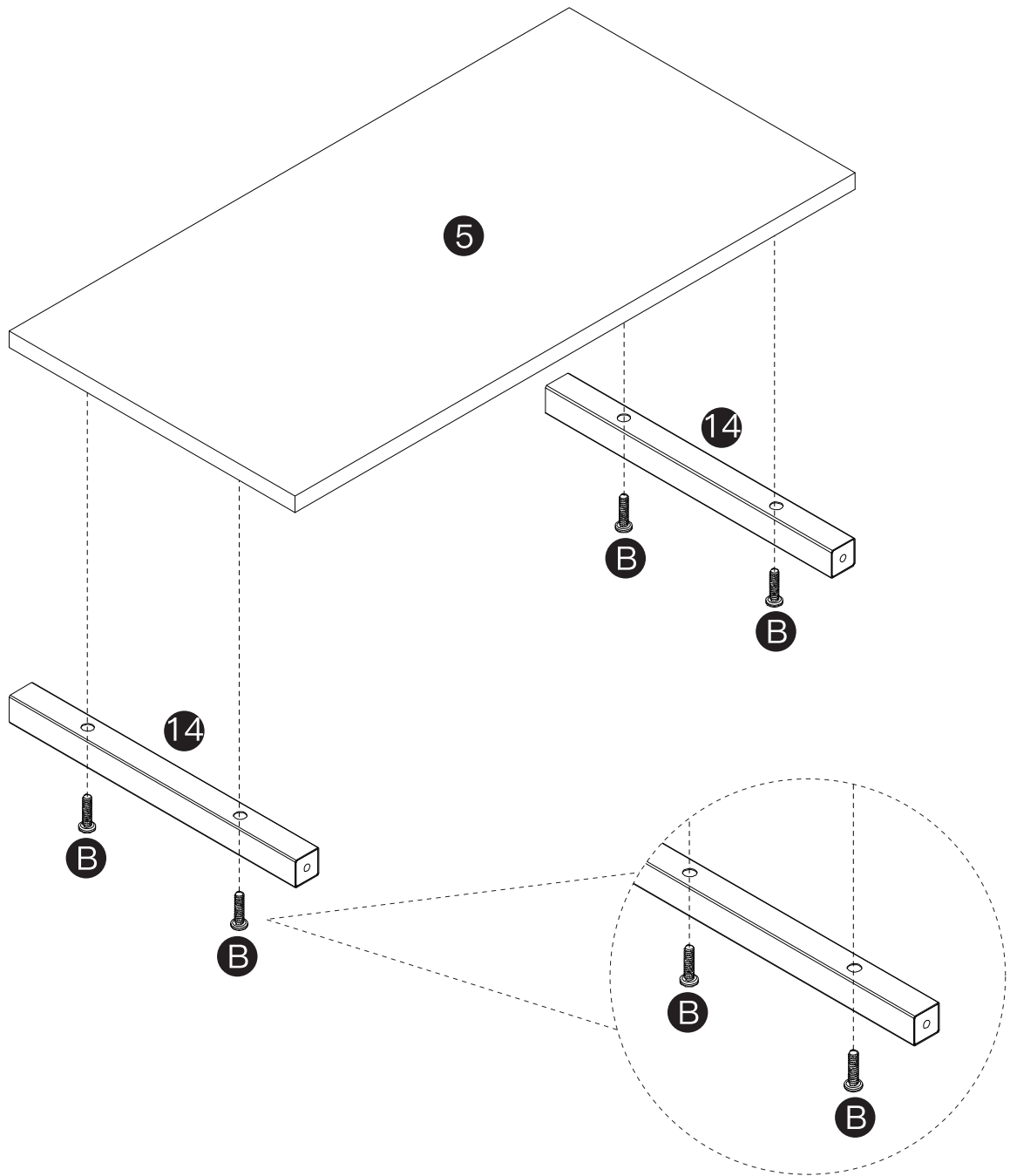
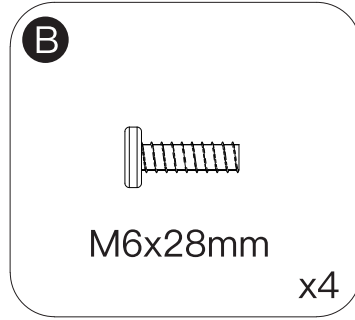
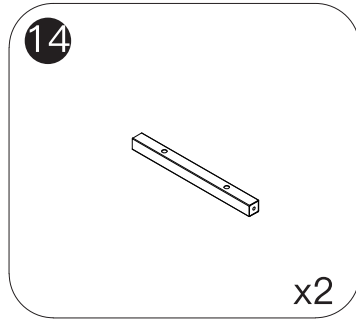
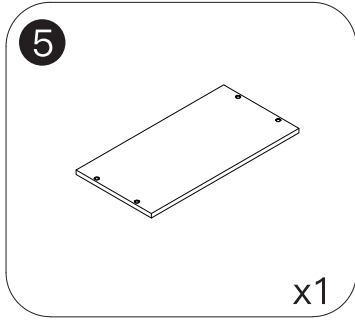


M6x28mm

x4

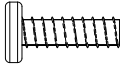


# STEP 5



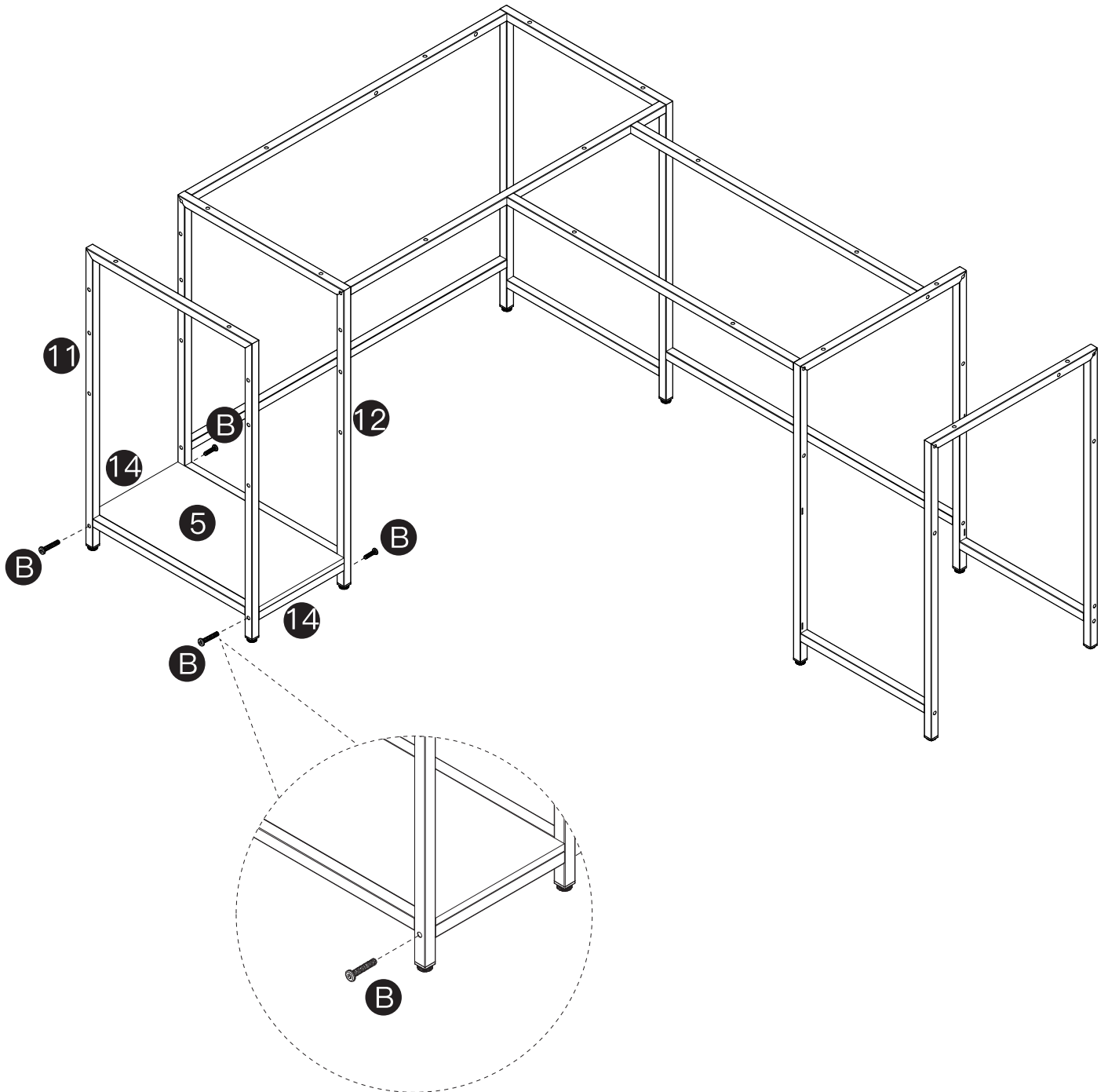
# STEP 6

**B**

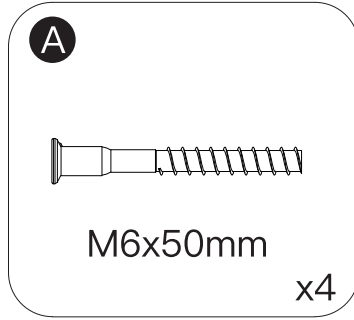
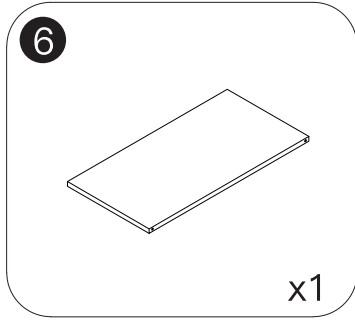


M6x28mm

x4

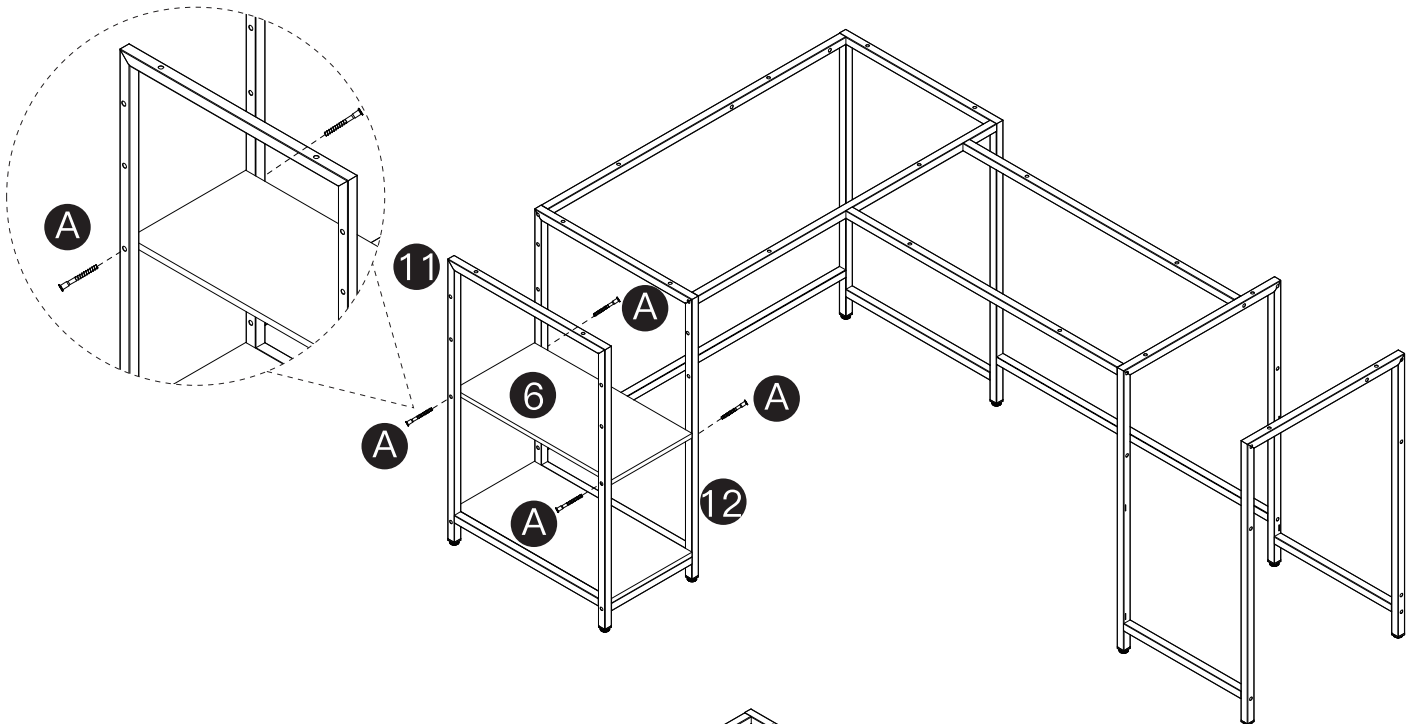


# STEP 7

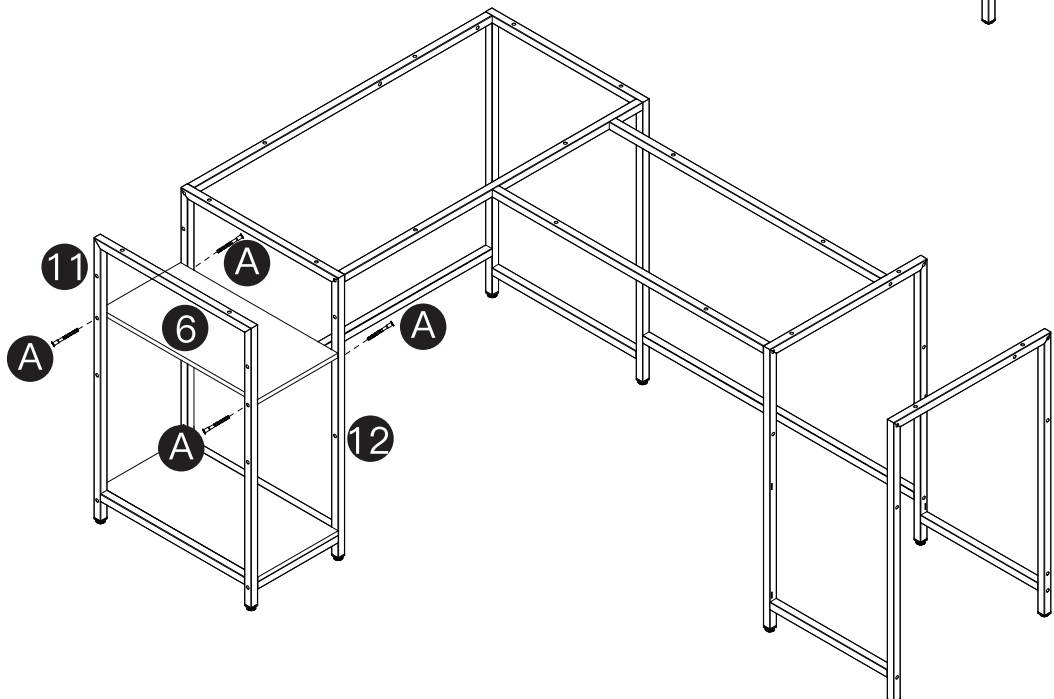


## NOTICE:

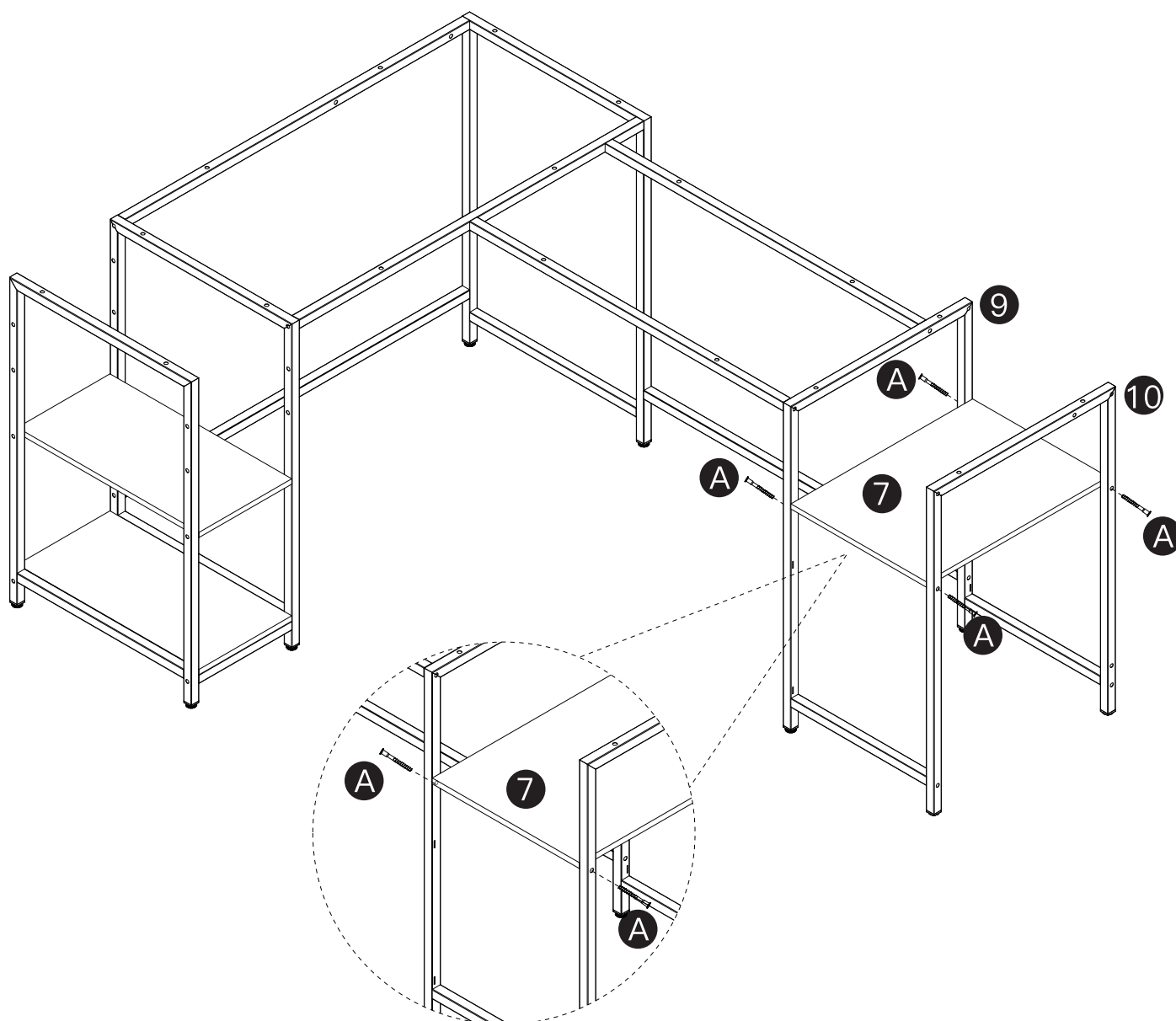
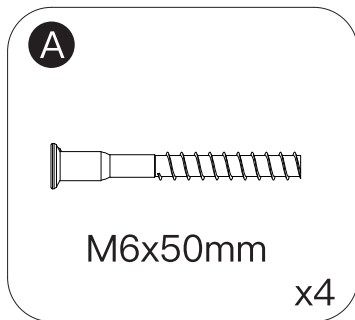
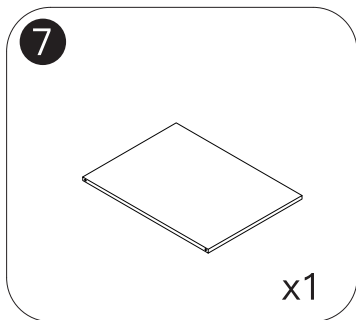
The position of part 6 can be adjusted.



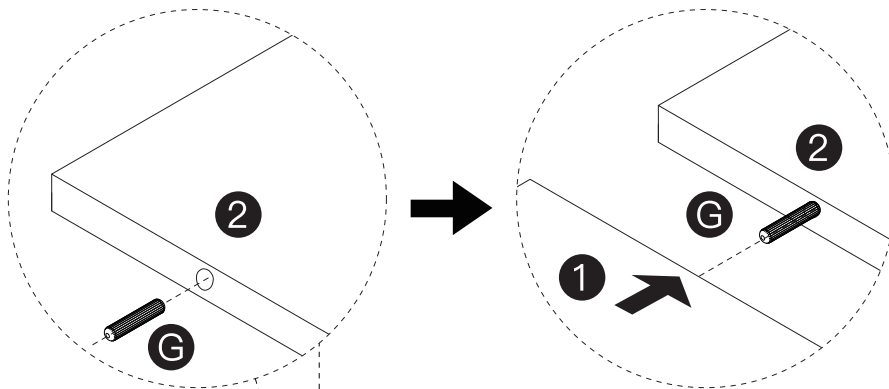
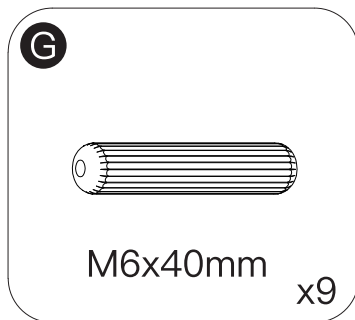
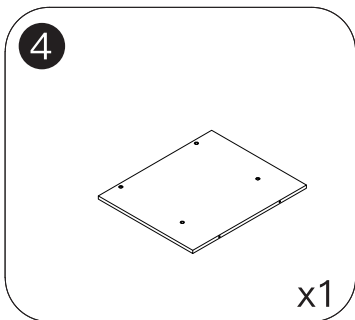
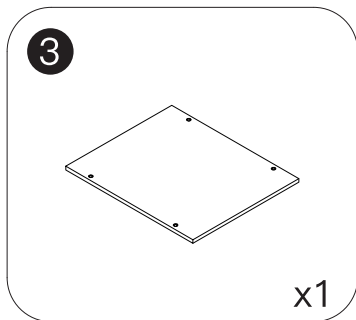
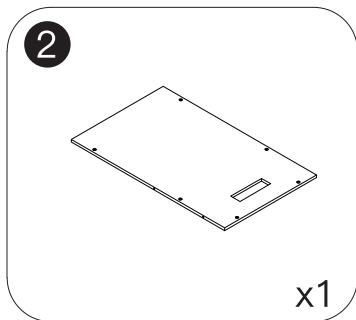
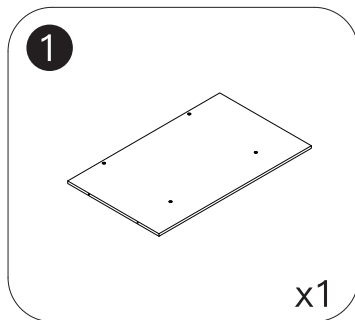
or



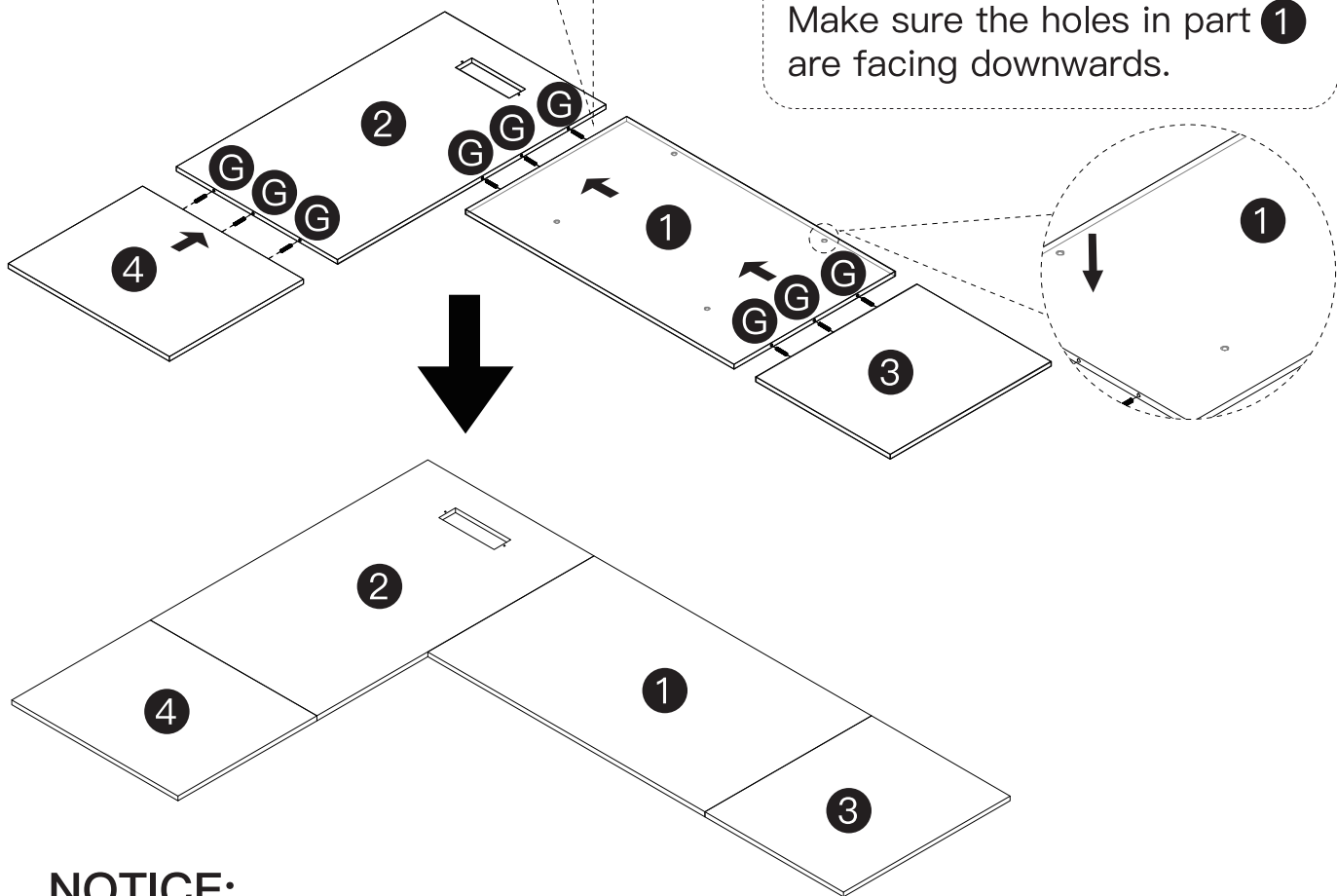
# STEP 8



# STEP 9



NOTICE:  
Make sure the holes in part 1 are facing downwards.

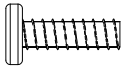


## NOTICE:

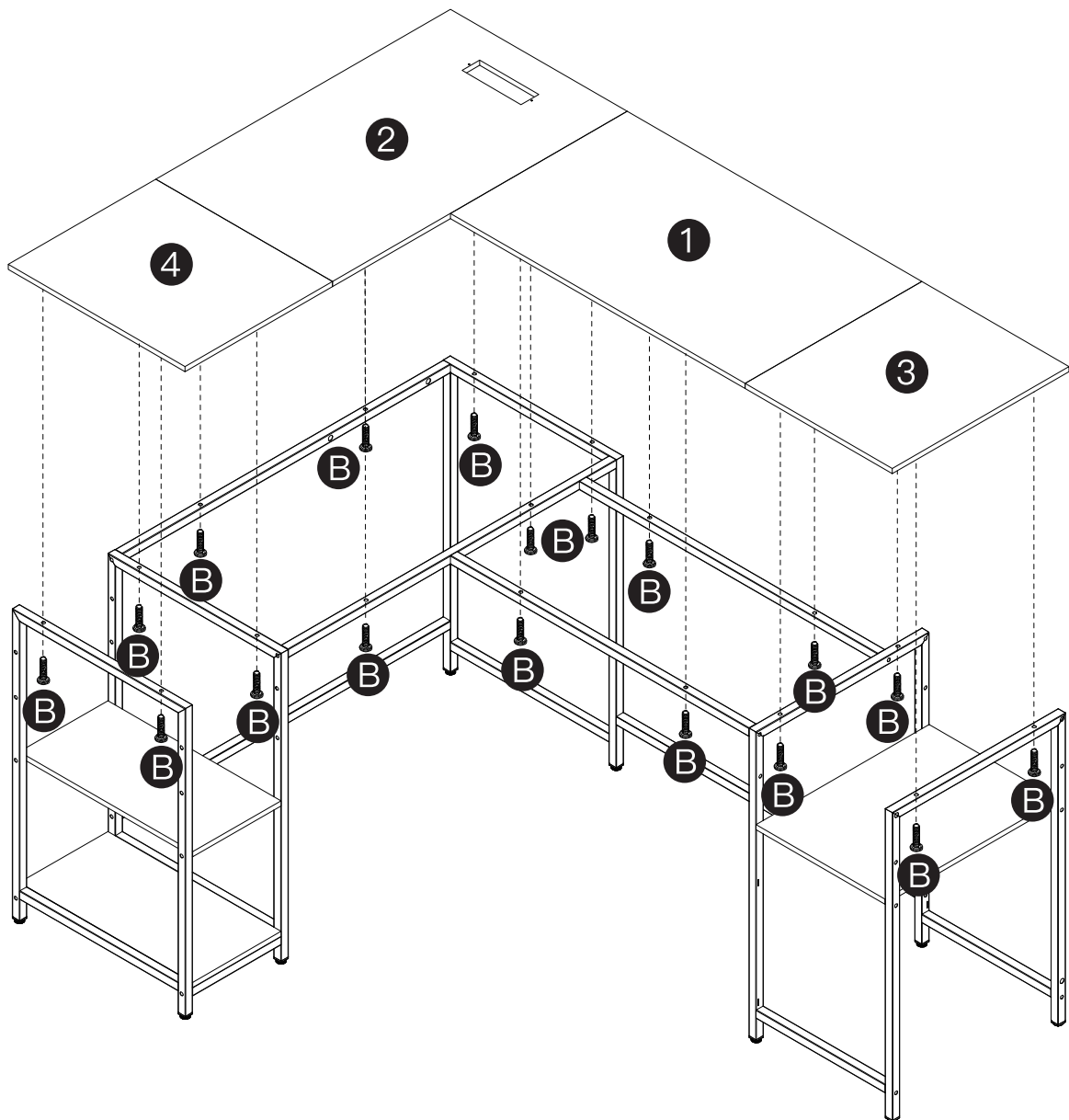
Ensure that Part 4 Part 2 Part 1 & Part 3 are lifted on the same horizontal line to prevent the wood chips from breaking.

# STEP 10

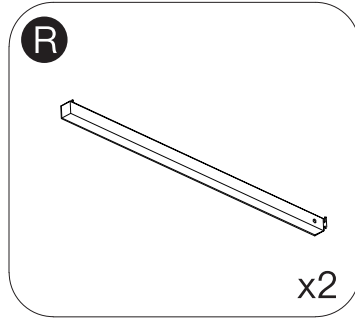
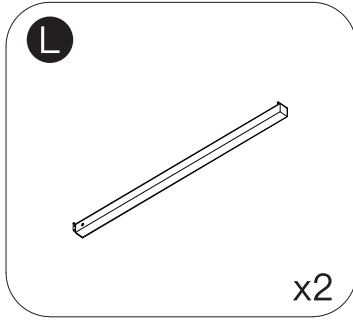
B



M6x28mm  
x18

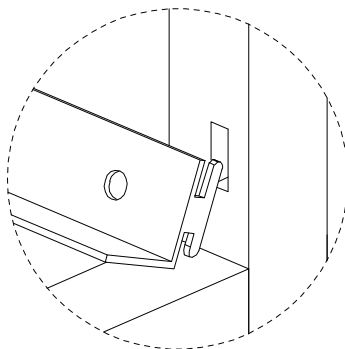
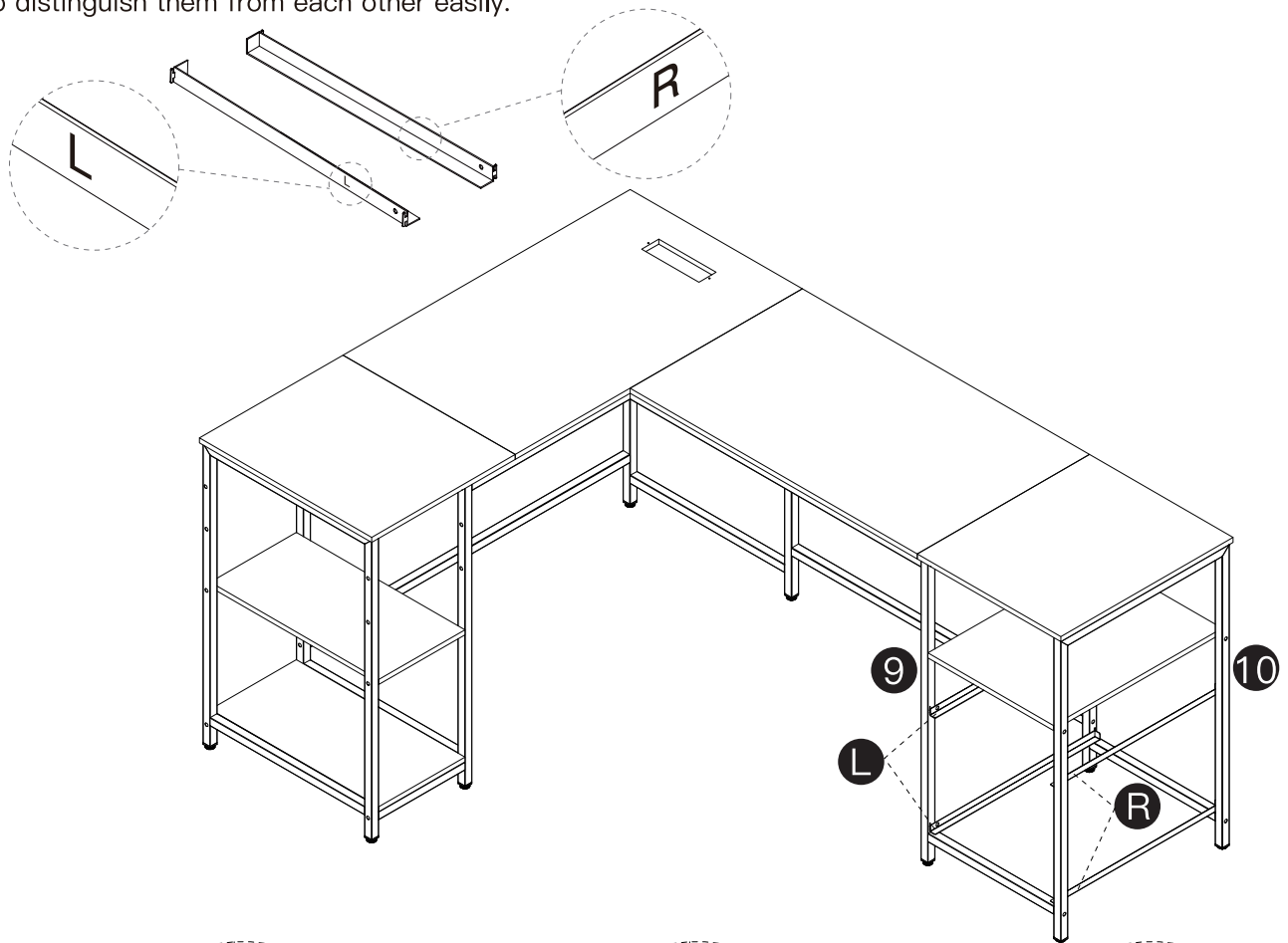


# STEP 11

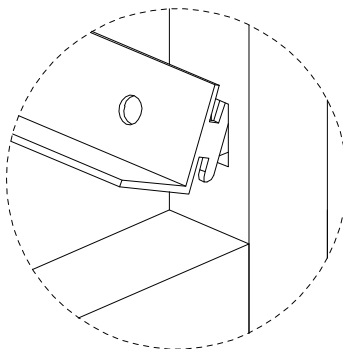


## NOTICE:

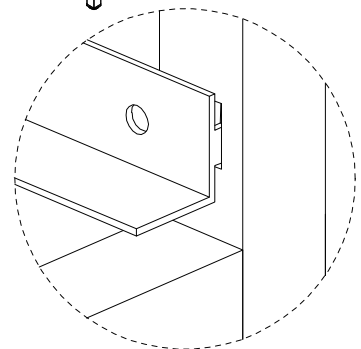
There's a corresponding L and R mark on each part located in a specified spot designed to distinguish them from each other easily.



Insert the upper part into the square hole.

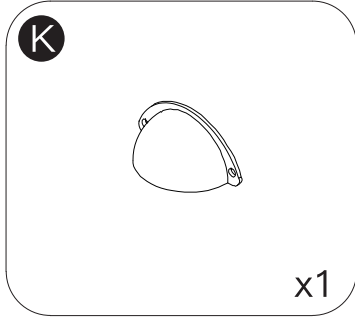
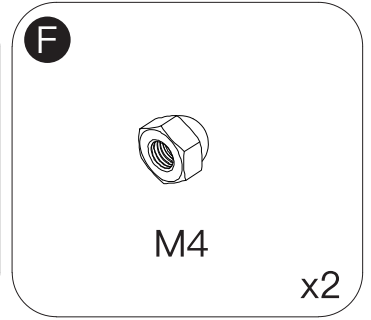
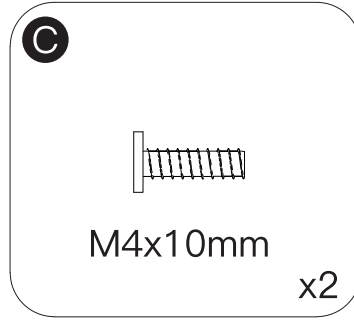
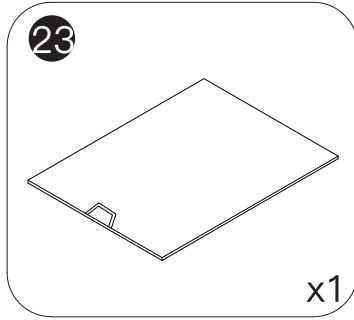
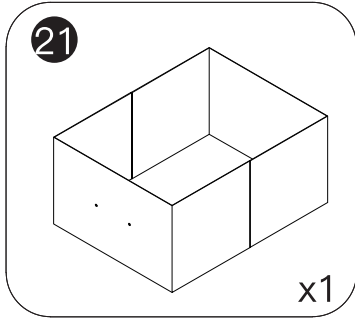


Then insert the rest part horizontally.

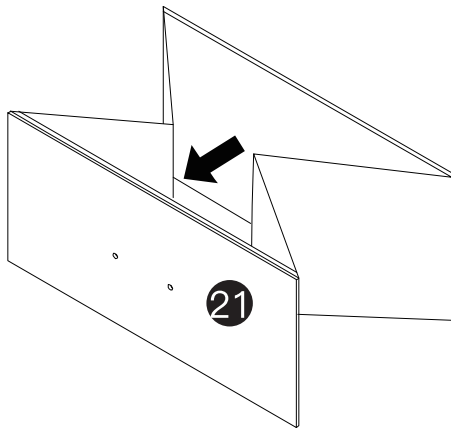


Press down the rail to ensure proper installation.

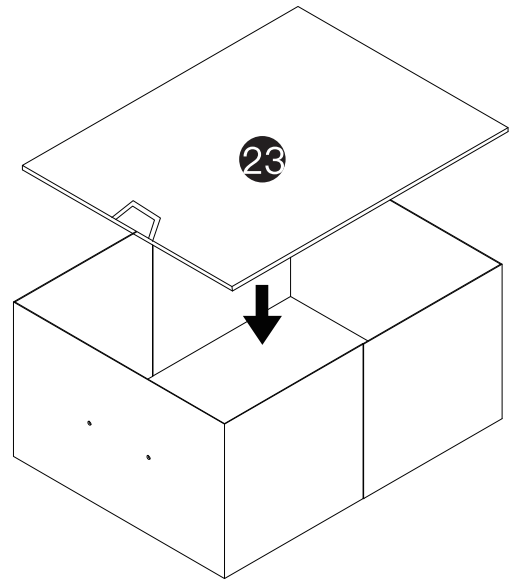
# STEP 12



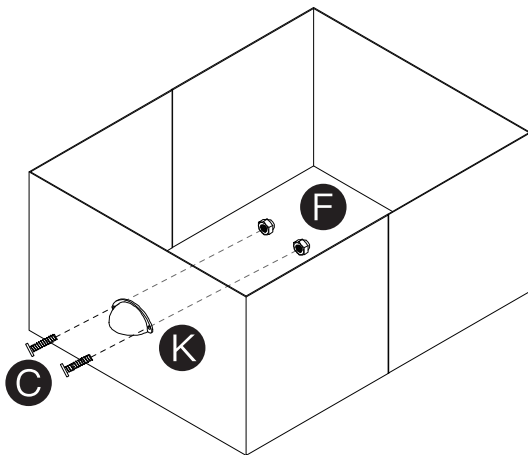
1



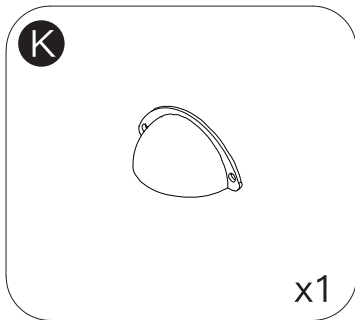
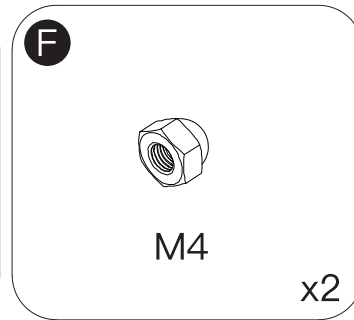
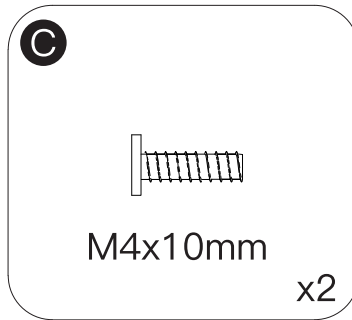
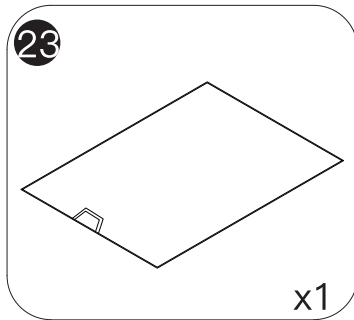
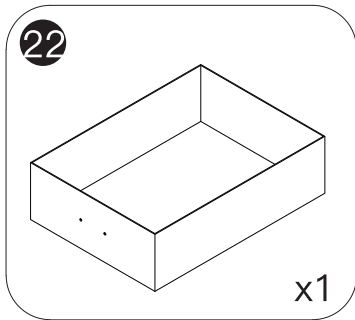
2



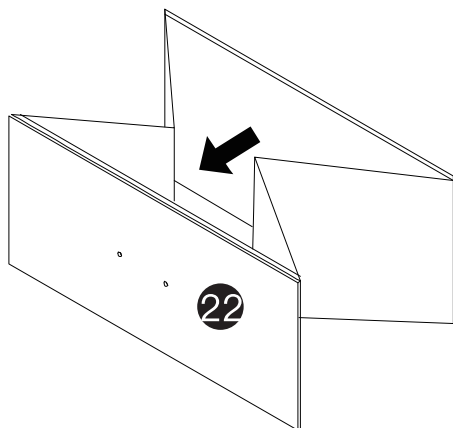
3



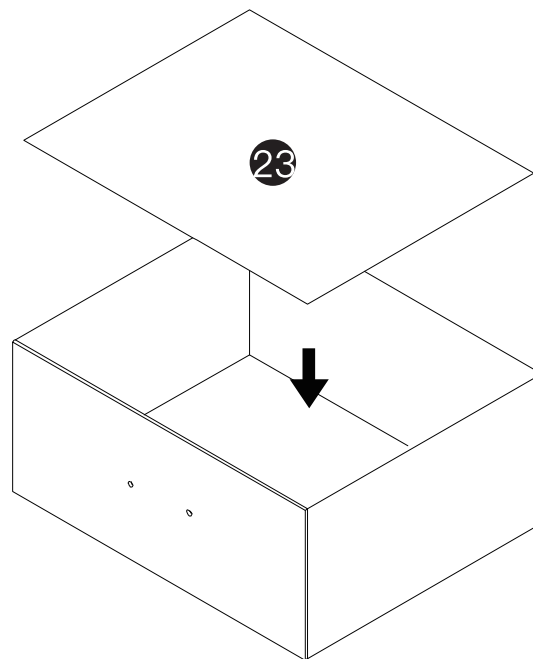
# STEP 13



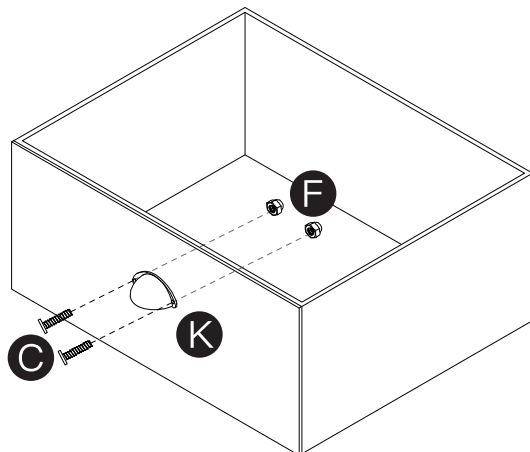
1



2

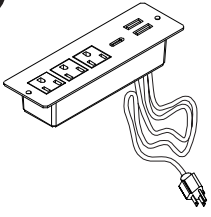


3



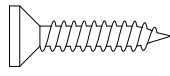
# STEP 14

H



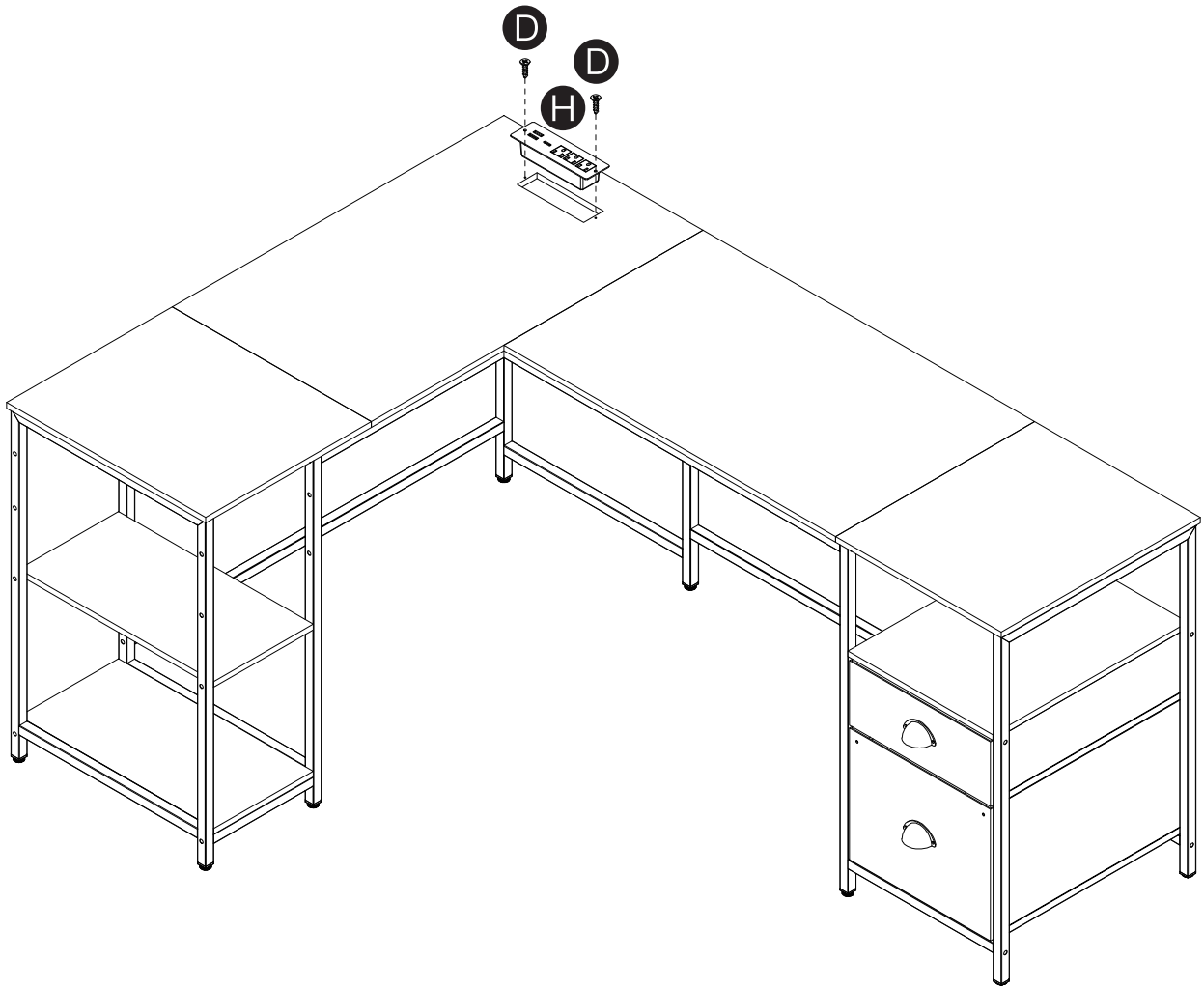
x1

D

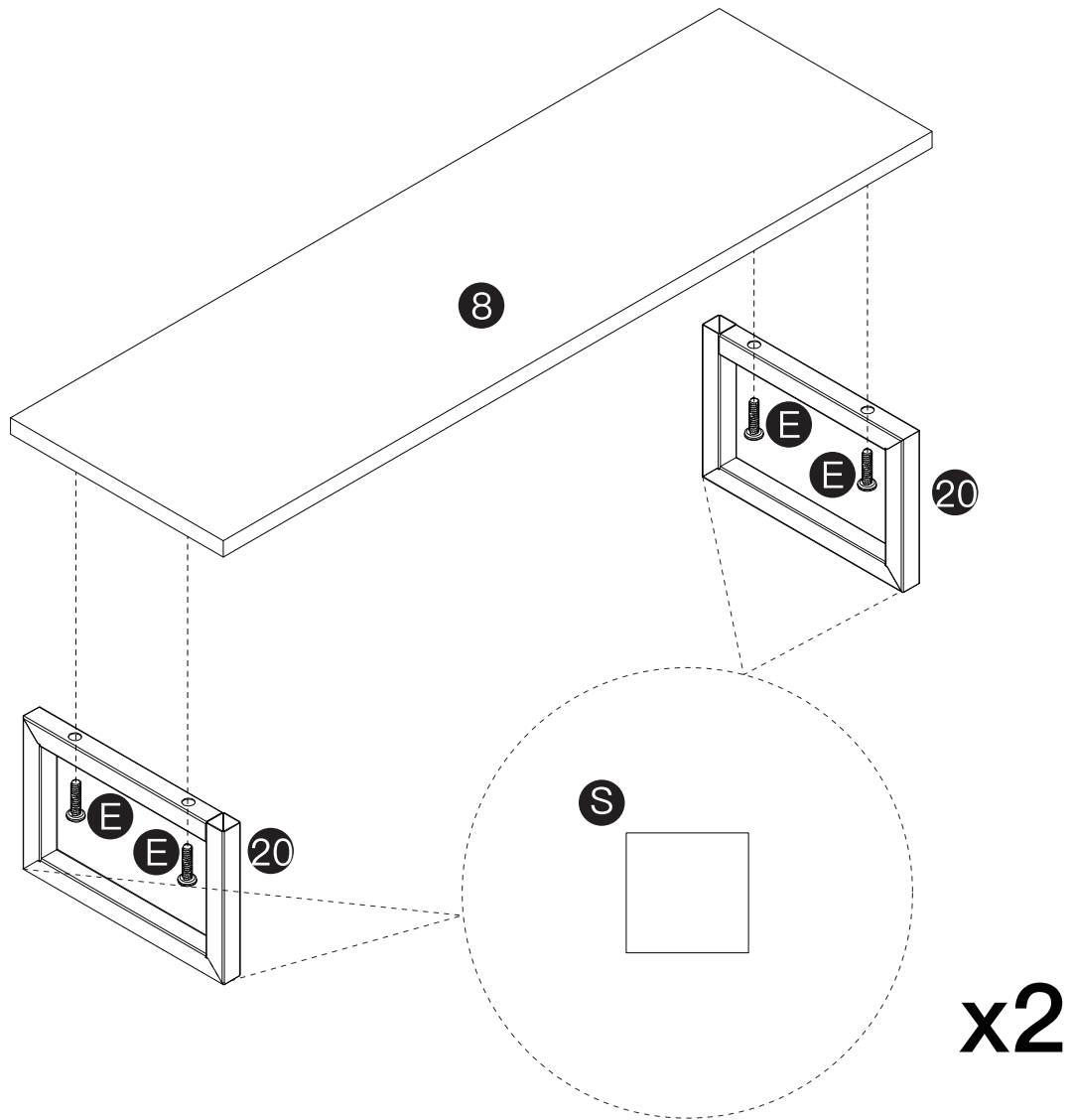
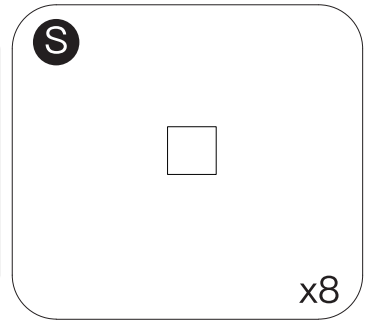
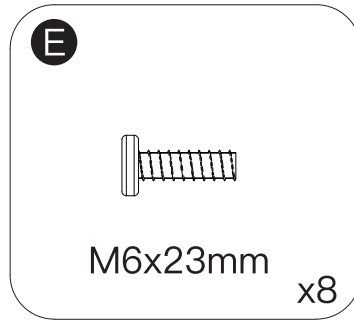
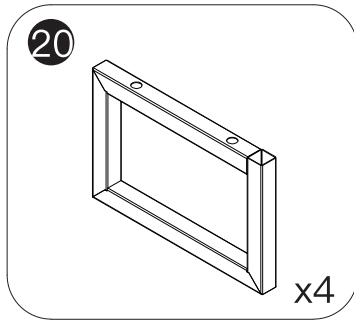
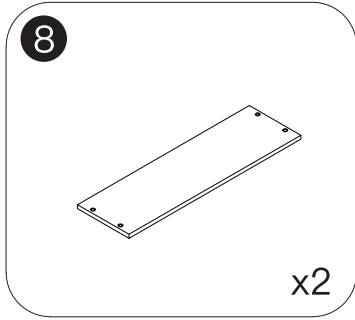


M3.5x10mm

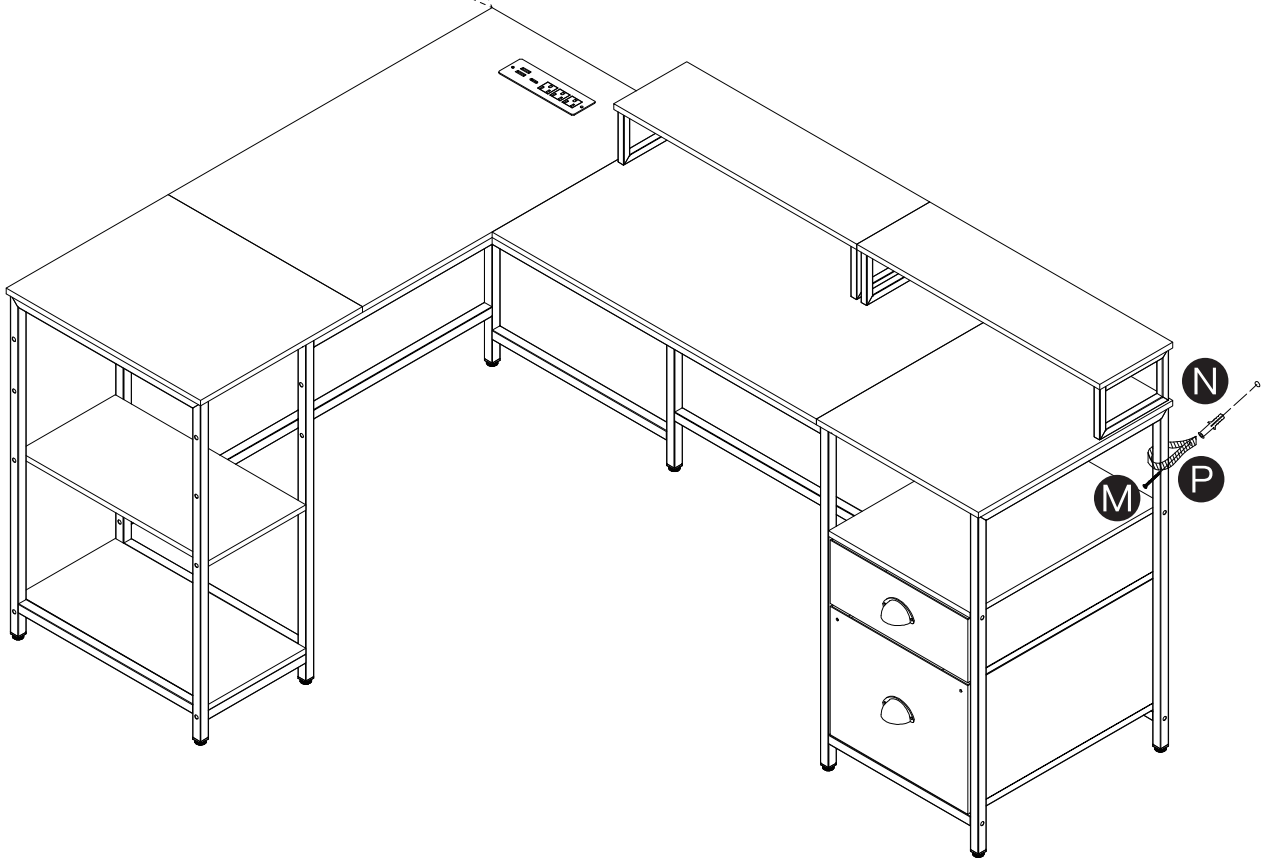
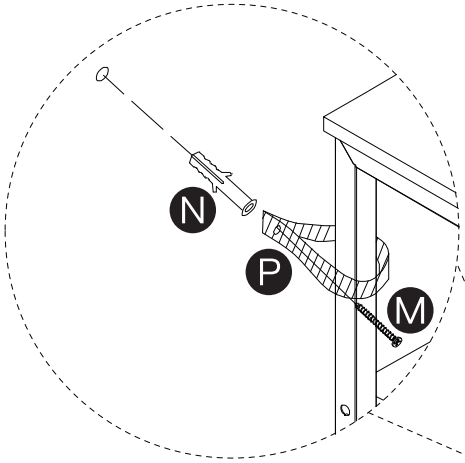
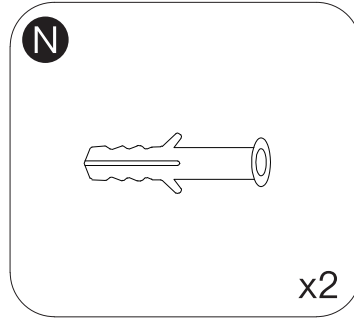
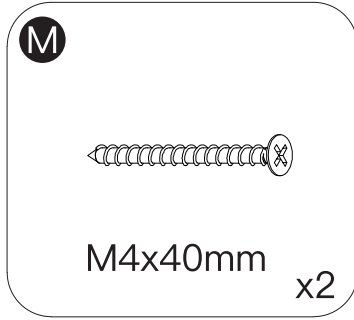
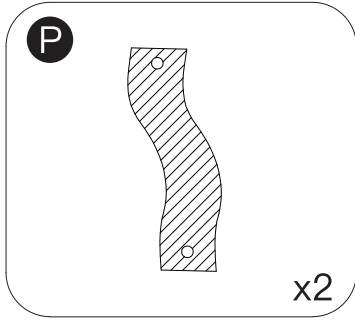
x2



# STEP 15



# STEP 16



# STEP 17

