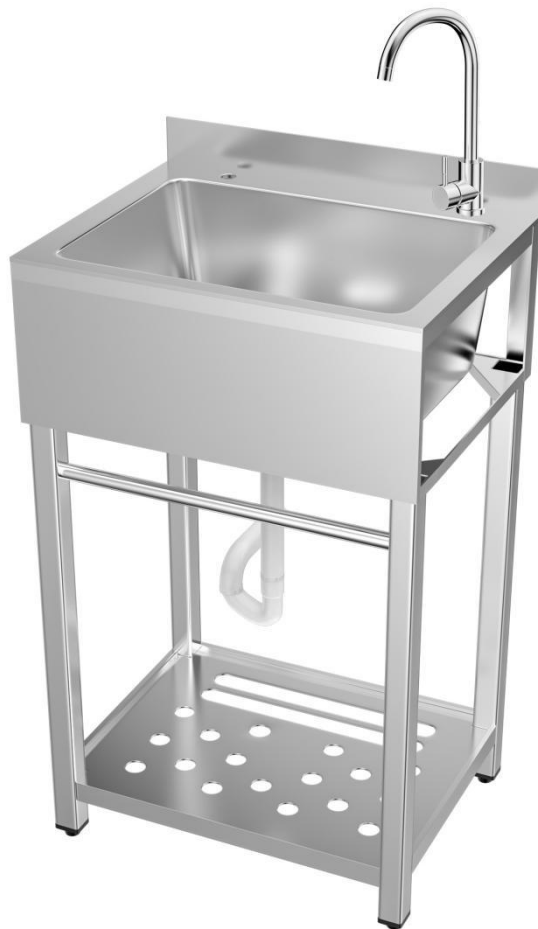


WORCEST
All For A Better Life

USERS' MANUAL



Utility Sink

Model SC171/SC170/SC169/SC168

**READ THIS MANUAL INSTRUCTION BEFORE USING THE UNIT.
PLEASE KEEP THIS FOR FUTURE REFERENCE**

WELCOME TO *WORCEST*

Congratulations on the purchase of your new *WORCEST* single-bowl utility sink!

Receiving and Checking

- Sink's model is consistent with your purchase;
- Make sure that you have all necessary parts by checking the parts list.
If any part is missing or damaged, please contact WORCEST Customer Service for a replacement;
- Inspect the sink prior to installation to make sure that it has not been damaged or during shipping and the appearance of the sink is in good condition.

Please contact our Customer Service Team at

service@iworcest.com

- Please keep the box and packaging materials until your product is completely installed. If you have any questions, require technical assistance or have any problems with your product;
- If for any reason this product does not meet your expectations, please be sure to repack this product in the original box and packaging material to avoid damage during transit.

PACKAGE LIST



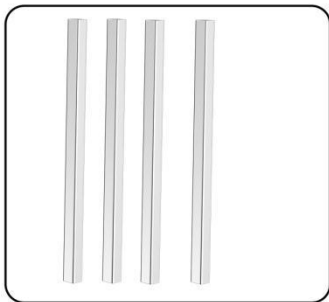
Sink Body*1



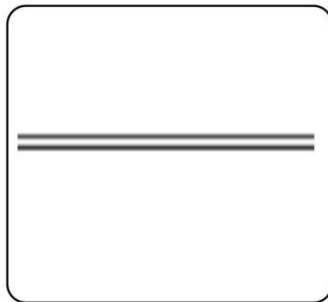
Drainer Strainer Set*1



Drainer Pipe Set*1



Supporting Legs*4



Bottom Storage Shelf*1



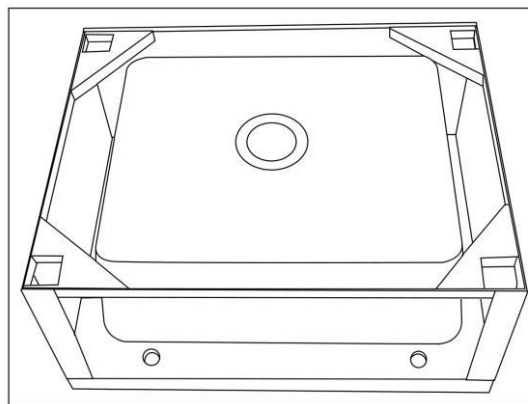
Adjustable Feet *4

INSTALLATION INSTRUCTIONS

- 4 Legs

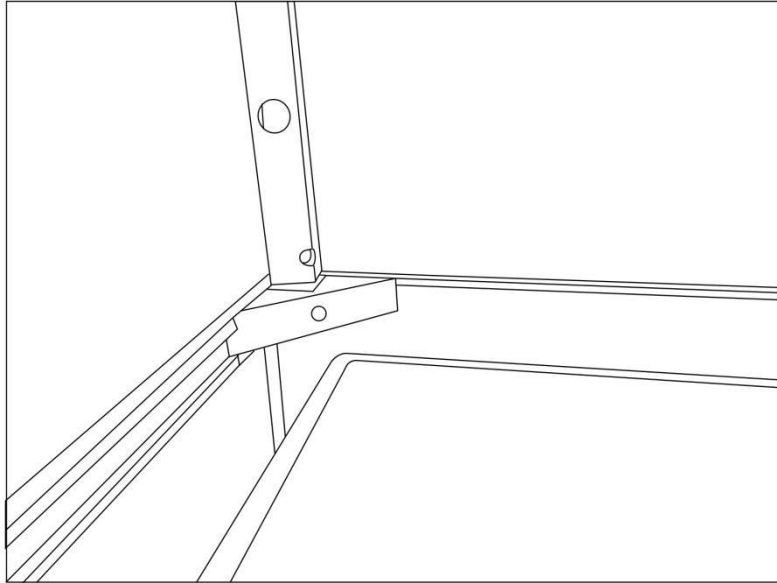
Step1

Take the entire basin out and place it upside down. This makes it much easier to attach the four legs.



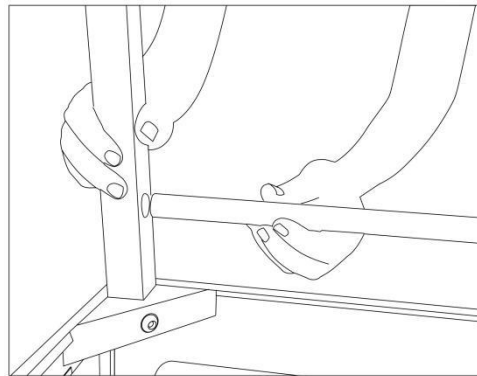
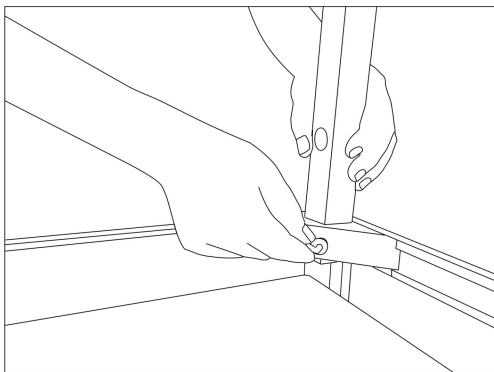
Step2

Please make sure to identify the two front legs and the two back legs. The front legs have holes for the towel bar. As shown in the following picture:



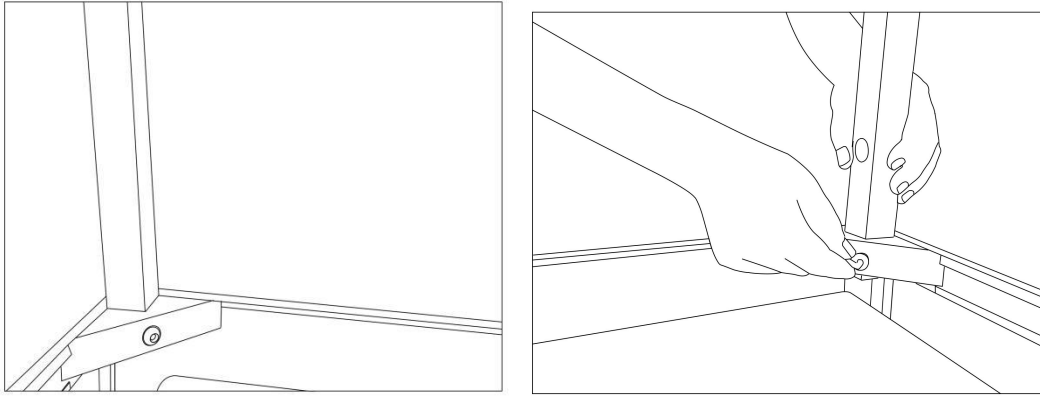
Step3

When securing the two front legs, be careful not to tighten them too much at first. Wait until you insert the towel bar before tightening them completely.



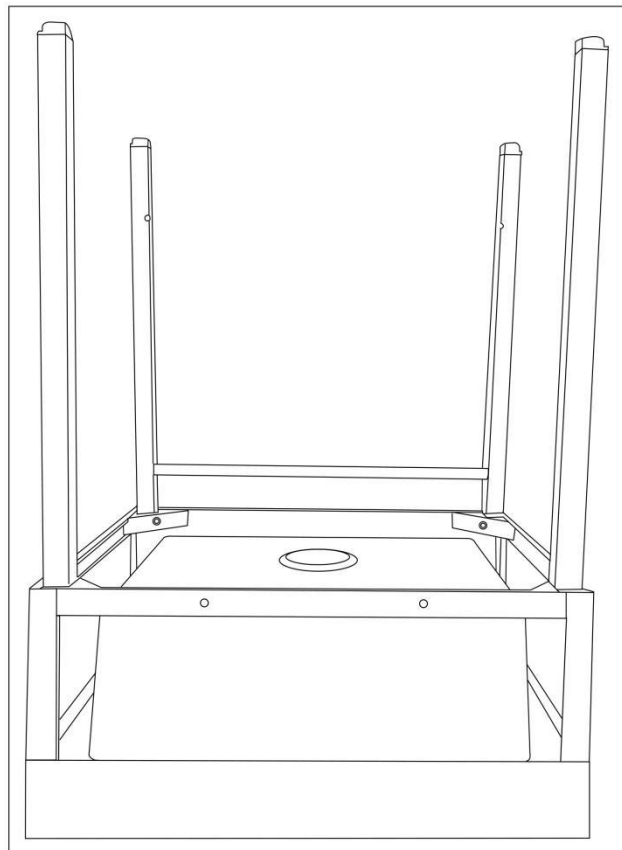
Step4

Tighten the two back legs directly.



Step5

As shown in the following picture, here is the overall image of inserting the legs. Please screw the 4 adjustable feet on the leg.

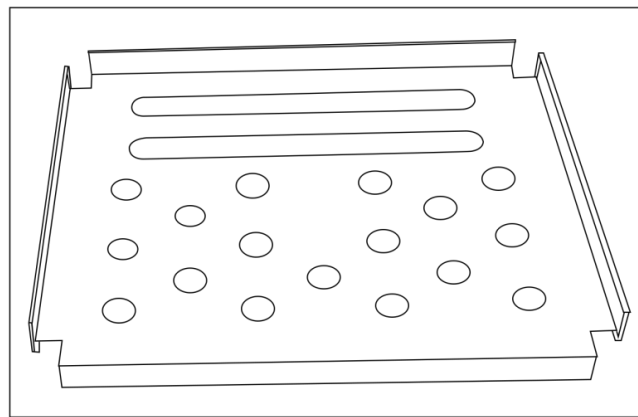


INSTALLATION INSTRUCTIONS

- Under Shelf

Step 6

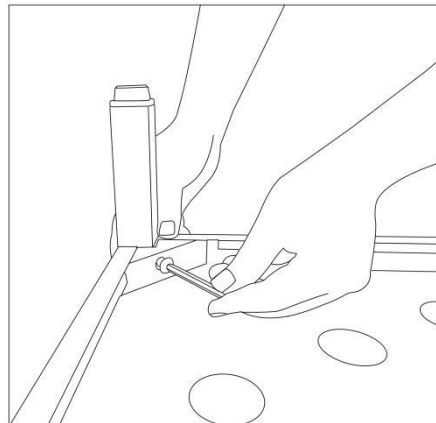
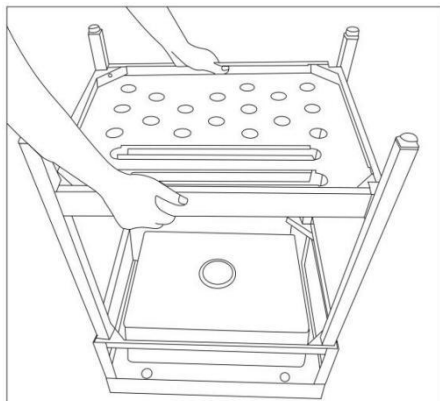
Next, you will install the shelf. The following image shows the shelf facing upwards. It has edges on all sides.



Step7:

As shown in the following picture, flip the shelf over and place it down.

You can ask someone to help hold the shelf while you secure it with 4 screws.

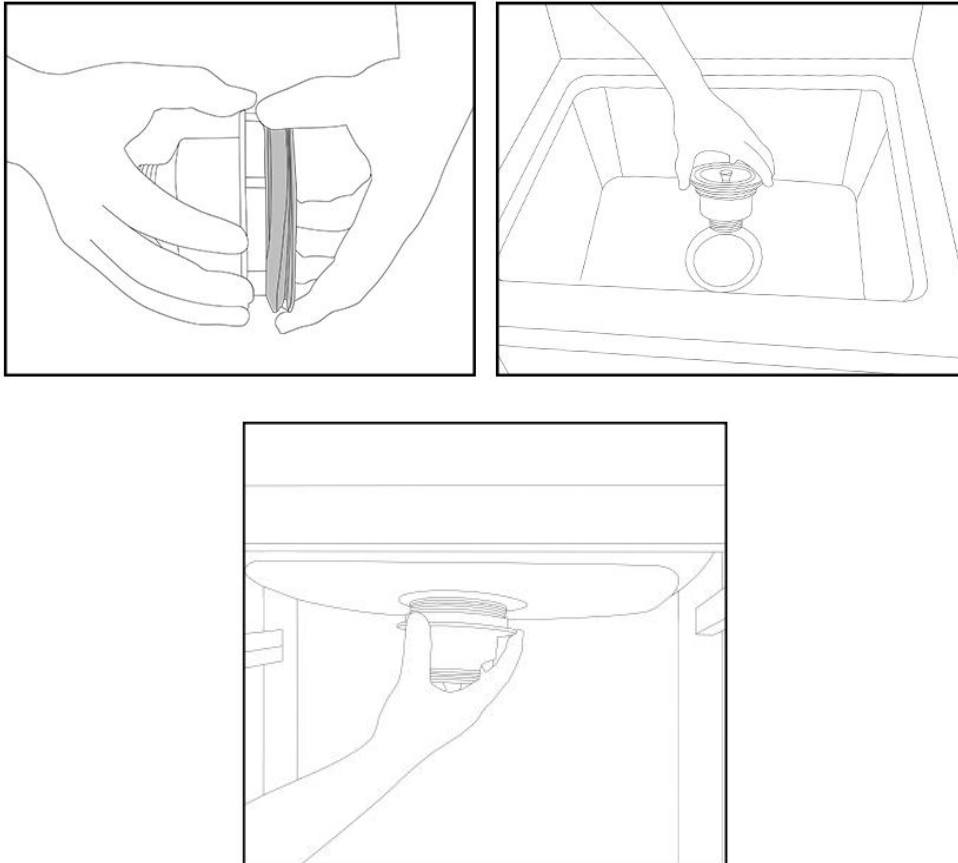


INSTALLATION INSTRUCTIONS

- Drainage Pipe

Step 8:

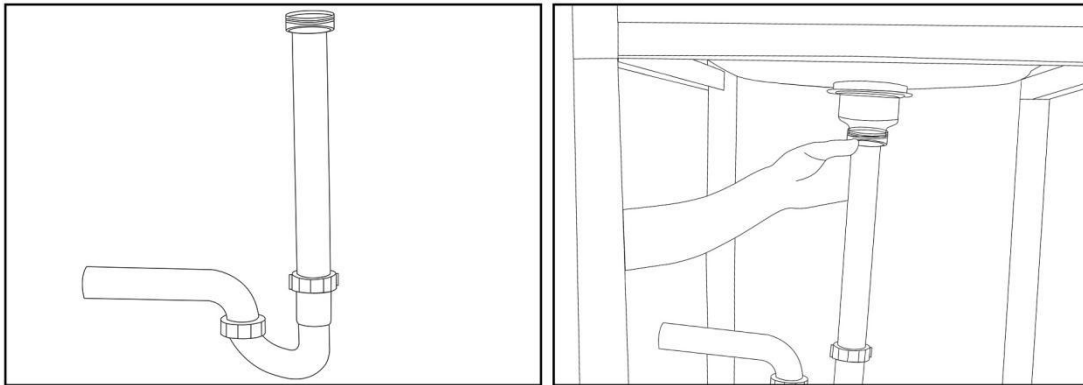
Next, you will install the strainer. Unscrew the plastic ring from the strainer. Place the strainer into the drain hole, and then screw the plastic ring back on with a white washer on top, tightening it from the bottom of the basin to secure the strainer in place.



Step 9

There are 2 x Tail Pieces, 1 x J Bent, 1 x Wall Bent. Only use 1 Tail Pieces to connect. The other one is as a backup. Please cut off to short if needed.

Put the silicone gasket into the drainage set, and connect the strainer set and the drainage pipe set together, then you will get a whole, perfect drainage set.



Please note:

Since we are not aware of the exact location of the drainage pipe in thwall, the tailpipe may be a bit long. Please cut it to the required length as needed. If you are not sure how to install it, please search for installation videos on YouTube. You may also seek help from a professional.

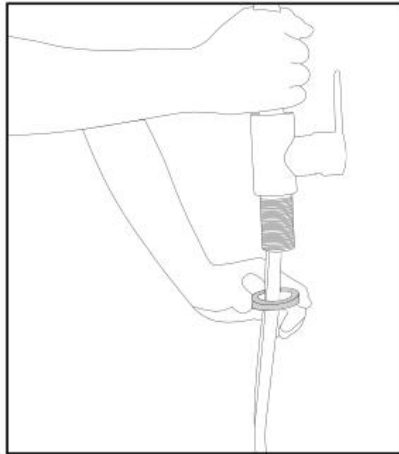
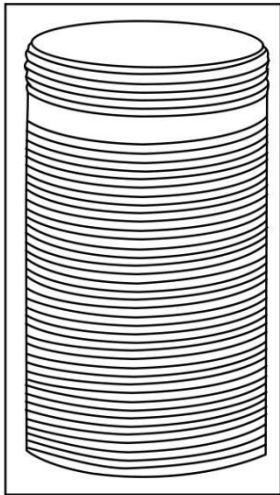
INSTALLATION INSTRUCTIONS

- Faucet

Step 10

Connect the two water hoses to the bottom of the faucet

Separate the stainless steel and hollow fixture from the stainless steel nut, then screw the fixture onto the bottom of the faucet.



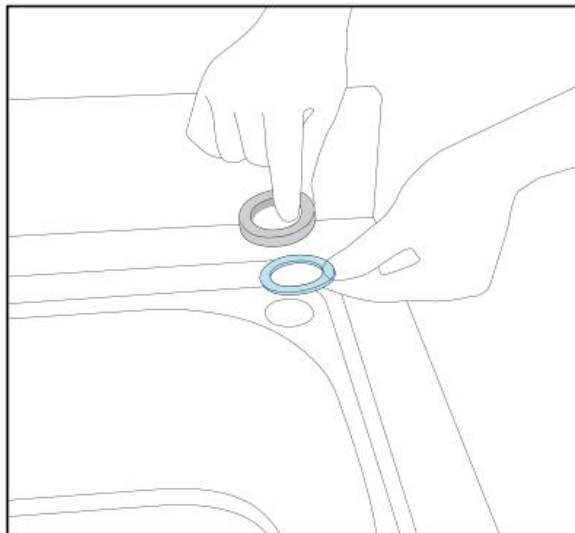
There is an engraved metal stripe on the fixture, connect the fixture to the faucet with the end with less screw thread

Step 11

Put the stainless steel and blue silicone ring through the fixture to stay close to the bottom of the faucet to prevent faucet from leaking

❖ **Warm tip**

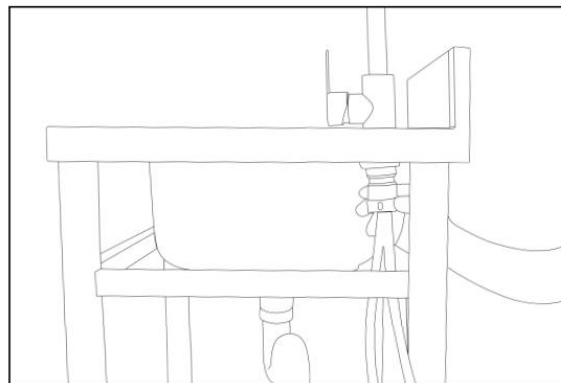
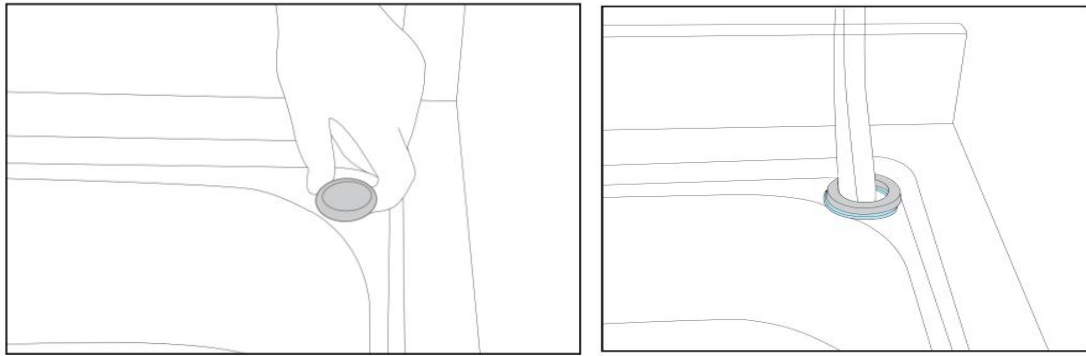
Keep the stainless steel ring on the top of the blue silicone one to prevent scratch of the basin



Step 12

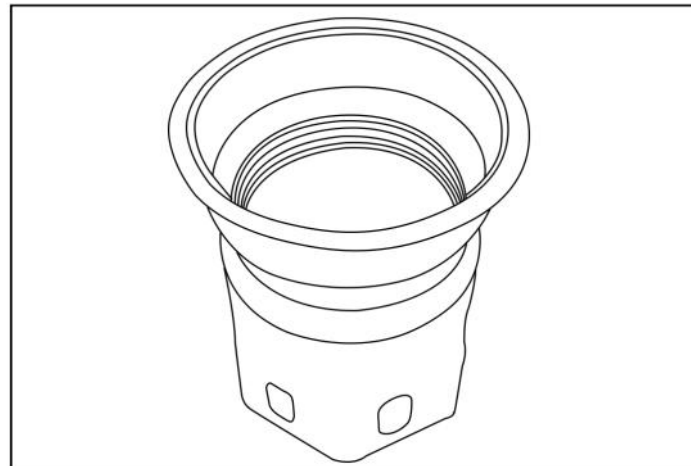
Take off the two covers on the holes (on each side of the basin), and then tuck the

water hoses into one of the two holes, and finally screw the nut to the fixture again



✧ **Warm tip**

Connect the stainless steel nut to the faucet with the end with screw thread, that is the one with bigger hole



CLEANING & MAINTENANCE

- The cleaning of the sink should start from the basics, and a thin layer of oil can be

applied to the inner wall when you first start using it, trying to isolate the surface of the sink from contact with corrosive substances.



- The sink should be cleaned frequently, please use a neutral detergent, gently scrub, then rinse with clean water, and use a sponge or rag to dry, avoid using a steel brush or a rough brush to prevent metal particles from adhering to the sink wall, which is easy to produce rust spots over time, or scratch the appearance of the sink.



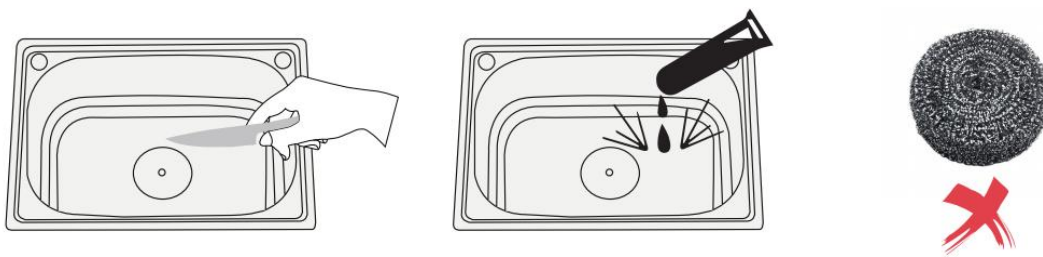
- Sprinkle a little salt on oily areas, then wipe up and down with waste plastic wrap, wipe and rinse with warm water several times, also to make the sink shine like new. The corners and drains around the sink can be wiped with a small brush or toothbrush dipped in soapy water, fine salt, and detergent, which can also achieve the ideal decontamination effect.



WARNINGS

Do Not

- When cleaning the stainless steel sink, it is best not to use a very oxidizing detergent, because it will react with the stainless steel sink, destroy the corrosion-resistant layer on the surface of the sink, and there will be rust on the surface of the sink.
- The stainless steel sink should not be cleaned with grinding plates or wire balls, and try not to hit the sink with sharp utensils such as knives, forks, cooking utensils, etc., so as to avoid scratches on the surface and affect its surface beauty.



RUST SPOTS

- This sink is made of 304 stainless steel. If you see rust spots in your sink, it's due to external rust or iron particle contaminants. These rust particles attach to the sink surface, forming rust stains. Clean the rust stains with powder cleanser or sink cleaner and a dish scrubbing sponge. Scrub in the direction of the grain. Use toothbrush for corners and edges. Rinse thoroughly with water.

Contact Us:

service@iworcest.com

All For A Better Life

WARRANTY

WORCEST offers a 12-month warranty to all of our products together with the original proof of purchase when a defect occurred, including those newly purchased and unused, from WORCEST or through an

authorized reseller, wholly or substantially, or as a result of faulty manufacturing parts, or workmanship during the Warranty Period. The warranty does not apply if damage is caused by other factors, including but without limitation of: Please fill out all required fields and include your Order ID, Date of Purchased if applicable.

- (a) Normal wear and tear;
- (b) Abuse, mishandling, accident, or failure to follow operating instructions;
- (d) Servicing or modifications of the product other than by WORCEST

The WORCEST warranty covers all costs related to restoring the proven defective product through repair or replacement of any defective part and necessary labor so that it conforms to its original specifications. A replacement product may be provided instead of repairing a defective product. WORCEST's exclusive obligation under this warranty is limited to such repair or replacement.

These are our general terms for warranty service, but we always urge our customers to reach out to us with any issue, regardless of warranty terms. If you have an issue with a WORCEST product, please contact us at service@iworcest.com, and we will do our best to resolve it for you.

Remark: all the product drawings involved in this manual shall be subject to the object. All the contents of this manual have been strictly checked and proofread, but there is possibility of incorrect typesetting or printing. Please feel free to understand

WORCEST



Model Number SC171
Warranty Registration

Contact Us:

WWW.IWORCEST.COM

service@iworcest.com

All For A Better Life