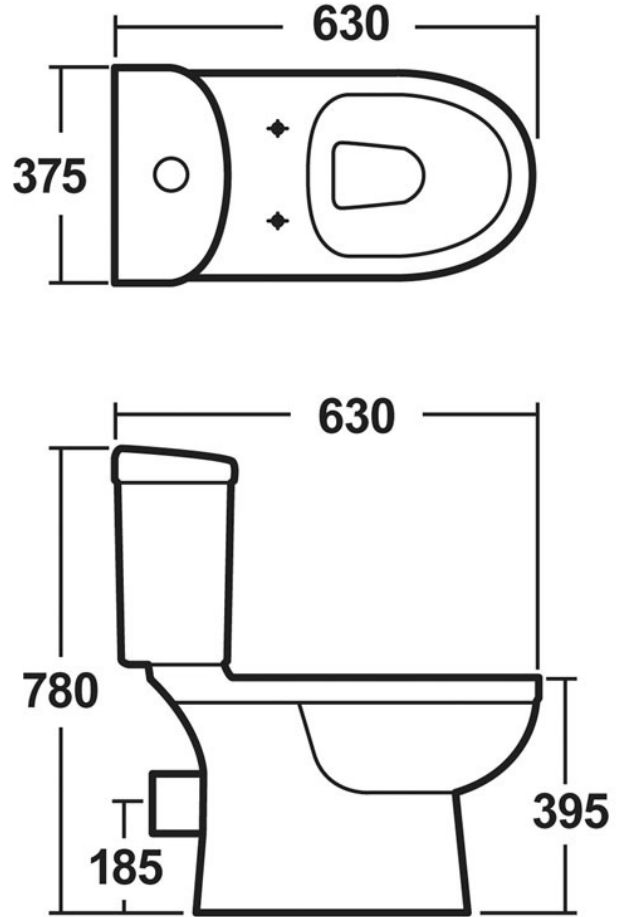


CUSTOMER DATA SHEET - CERAMICS

DESCRIPTION: Pan Pack (With Seat)



PRODUCT DIMENSIONS

Height (mm)	Width (mm)	Depth (mm)	Nett Wgt Kg
750	360	630	31.48

PACKAGING DIMENSIONS

Height (mm)	Width (mm)	Depth (mm)	Gross Wgt Kg
445	390	725	33.85

PACKAGING DATA

Box Colour	Brown Cardboard Box - Printed		
Box Qty	1	Label Colour	White Label
Label Size	100 x 50	Label Qty	2

OUTER BOX DIMENSIONS (If Applicable)

Height (mm)	Width (mm)	Depth (mm)	Gross Wgt Kg

PRODUCT DETAILS

Country of Origin	China
Fitting Instruction	No

Certification	CE	Yes	WRAS	N/A	WRAS Number	N/A
Product Material	Vitreous China					

PANS/BIDETS

Trap Style	P Trap	Includes Seat	Yes
------------	--------	---------------	-----

CISTERNS

Fittings	Loose 6/3L	Operating Type	Push Button
Lever Type	Plastic Chrome Plated		

SEAT

Type	Round	Function	Soft Close
Material	Polypropylene		
Hinge Type	Top & Bottom Fix	Hinge Material	Plastic

BASINS

Tap Hole	Not Applicable	Chain Stay Hole	Not Applicable
Template	Not Applicable	Waste Type Req'd	Not Applicable
Overflow Incl.	Not Applicable	Overflow Cover	Not Applicable
Inner Bowl Depth	N/A		

GENERAL

Fixing Supplied	No
-----------------	----