

Vertical Mirror & Double Dresser

Assembly Instruction

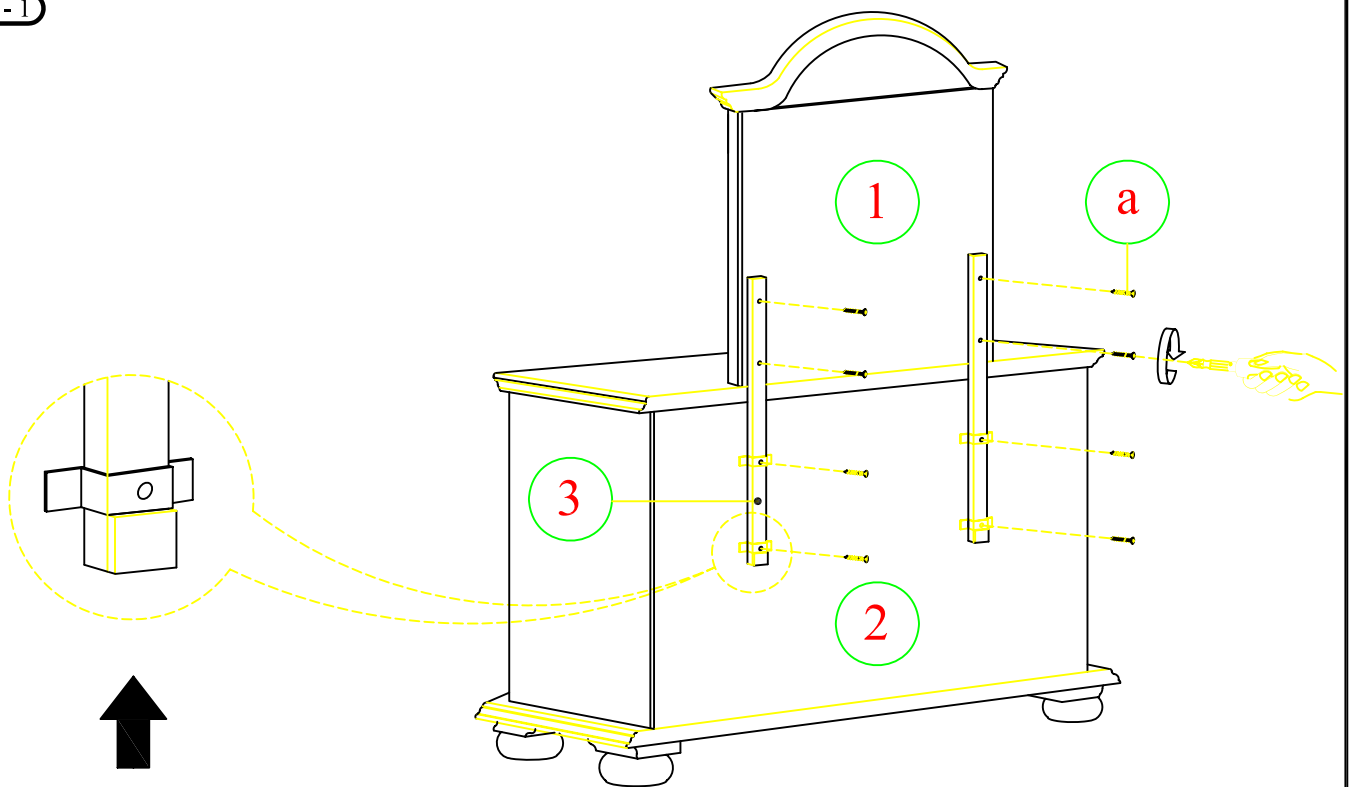
A . Components :

- 1. Vertical Mirror 1 x
- 2. Double Dresser 1 x
- 3. Frame Support 2 x

B . Components :

- a. Screw 8 x

STEP - 1



STEP - 2

