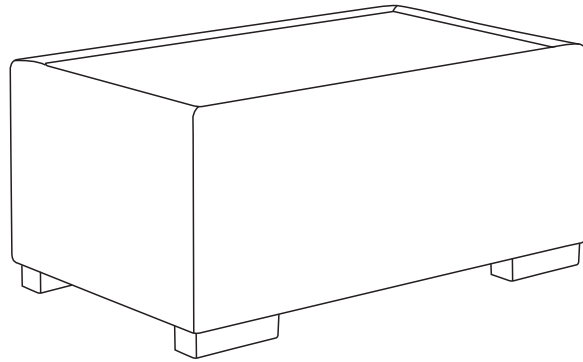
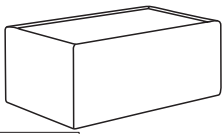


ASSEMBLY INSTRUCTION

ITEM NO.:



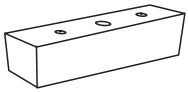
PARTS LIST



A

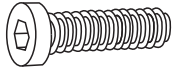
X1

HARDWARE LIST



1

X4



M8X60

2

X4



M5

3

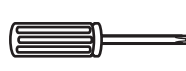
X1



M5X50

4

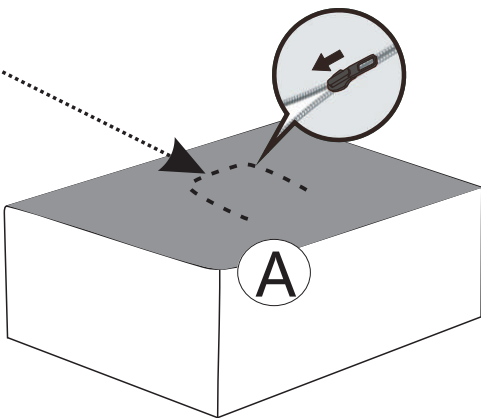
X8



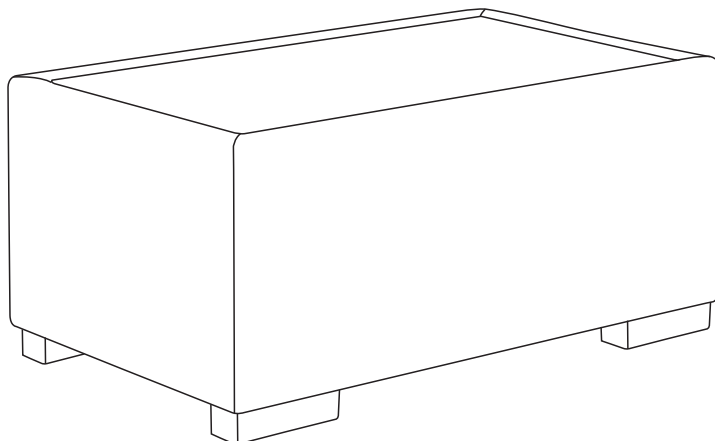
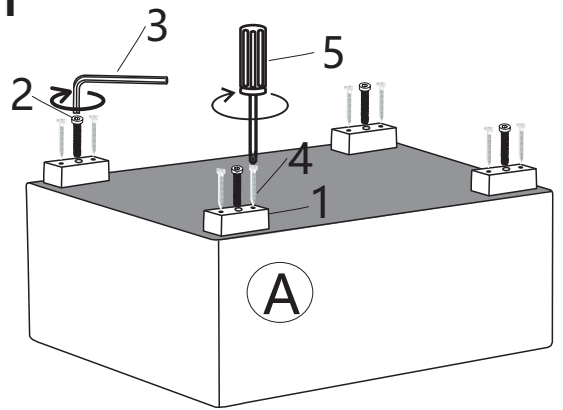
5

X1

- ①  X4
- ②  X4
- ③  X1
- ④  X8
- ⑤  X1

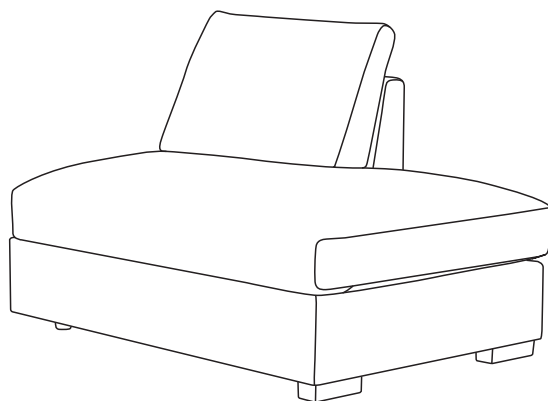


Step1


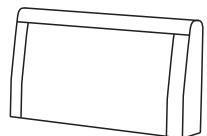

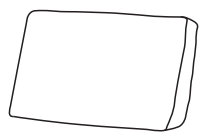


ASSEMBLY INSTRUCTION

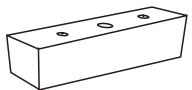
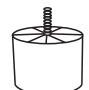

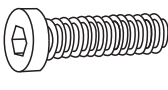



ITEM NO.:

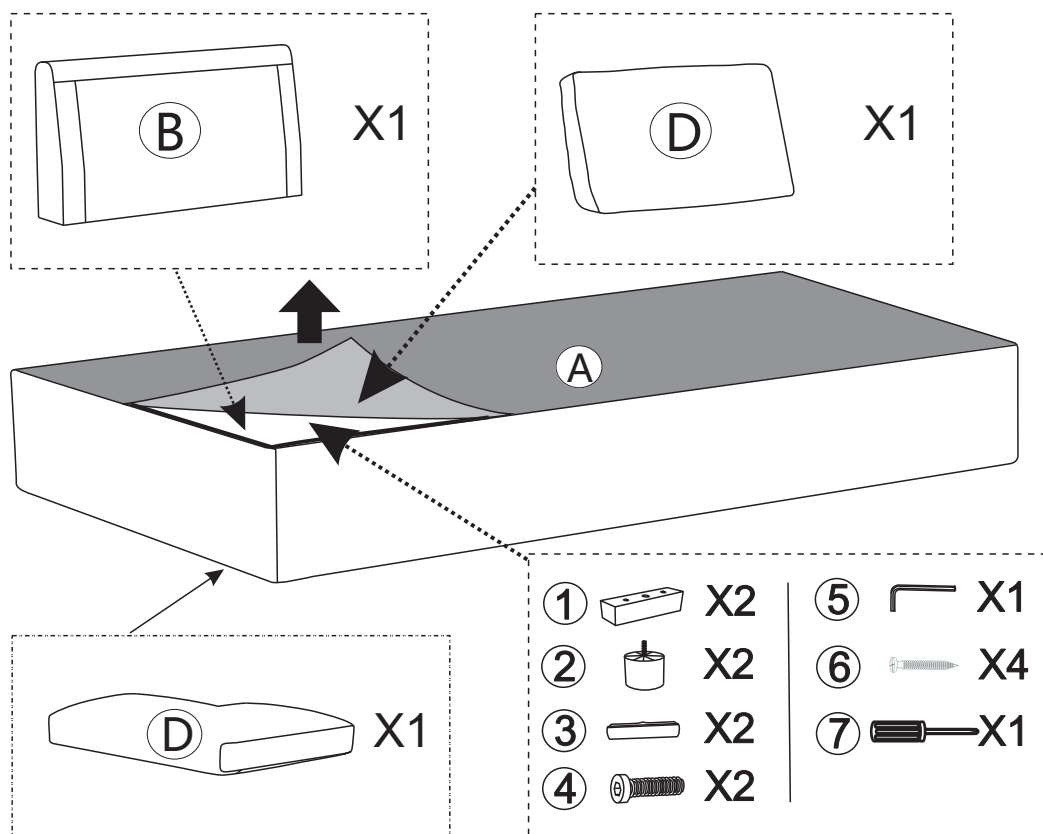


PARTS LIST

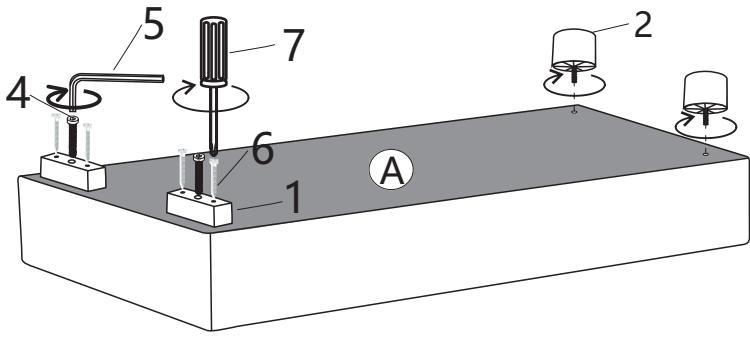
			
A	B	C	D
X1	X1	X1	X1

HARDWARE LIST

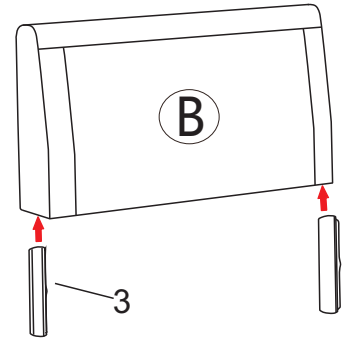
						
1	2	3	4	5	6	7
X2	X2	X2	M8X60 X2	M5 X1	M5X50 X4	X1



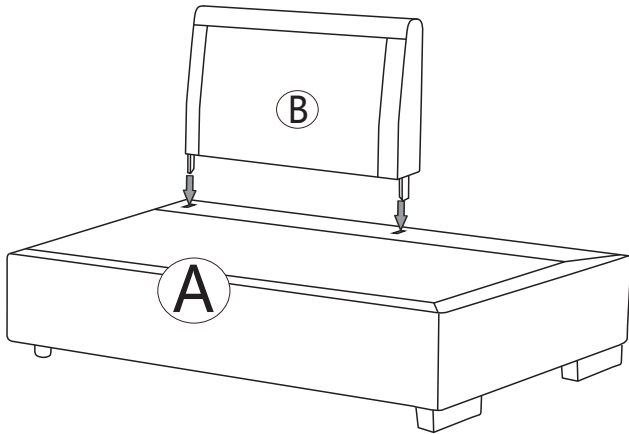
Step1



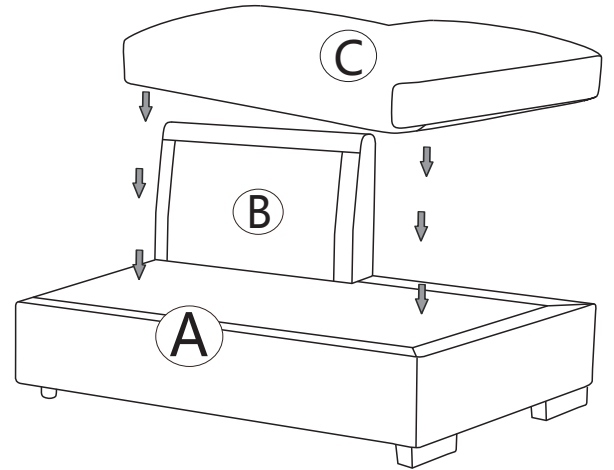
Step2 Please pay attention to follow this step to assemble!



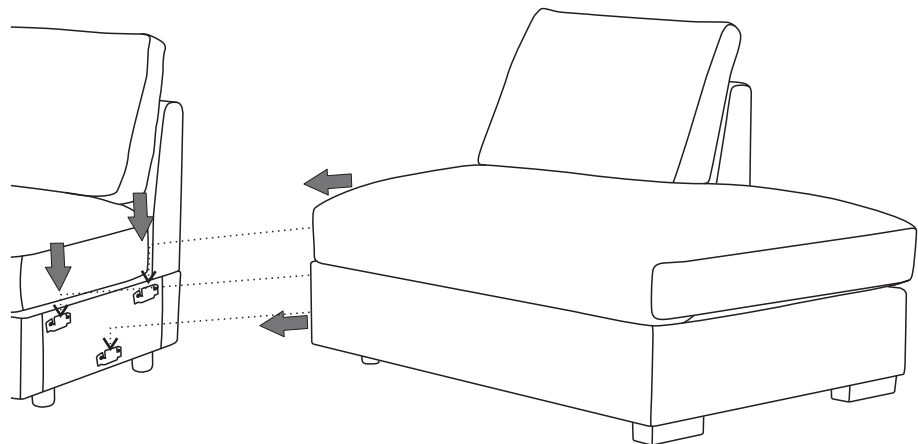
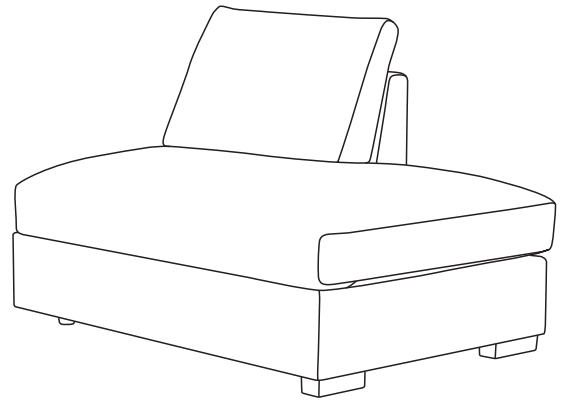
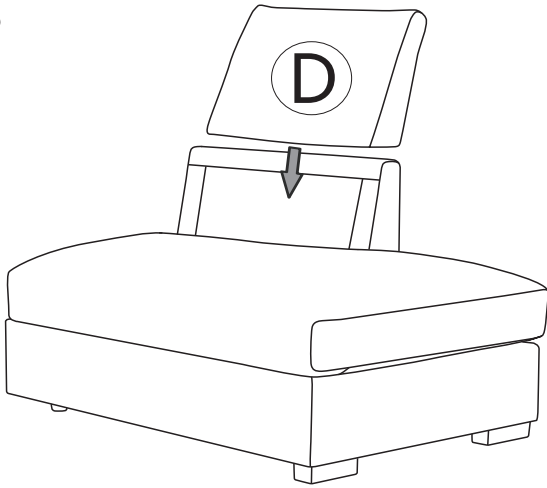
Step3



Step4

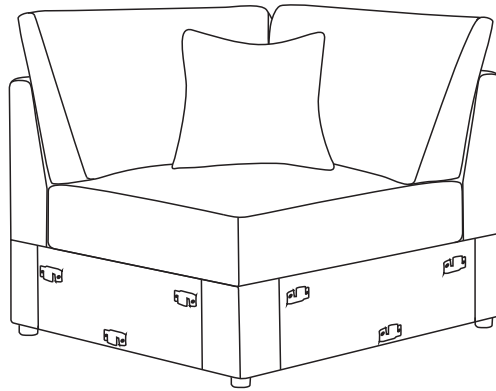


Step5

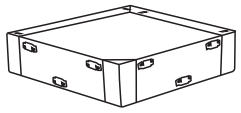


ASSEMBLY INSTRUCTION

ITEM NO.:

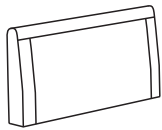


PARTS LIST



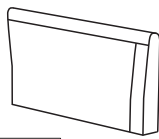
A

X1



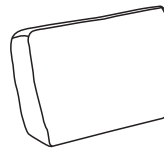
B

X1



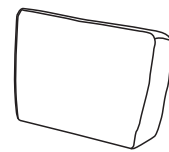
C

X1



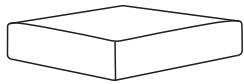
D

X1



E

X1



F

X1

HARDWARE LIST



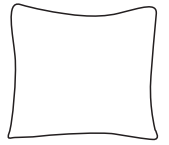
1

X4



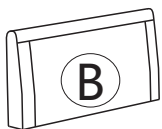
2

X4

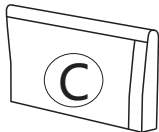


G

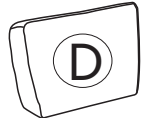
X1



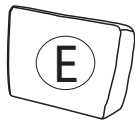
X1



X1



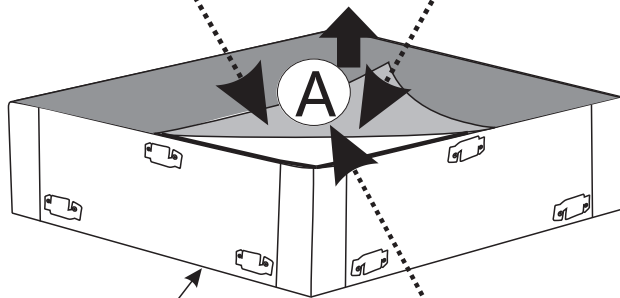
X1



X1



X1

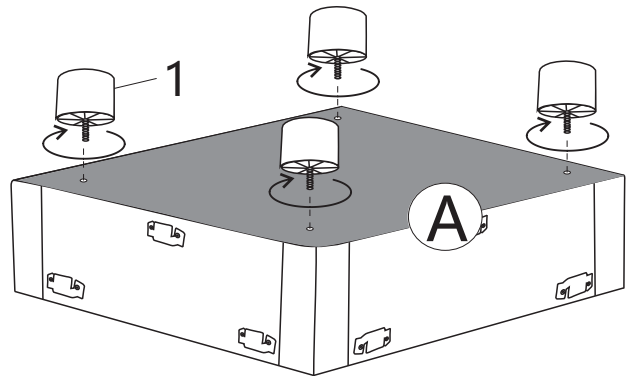


X1

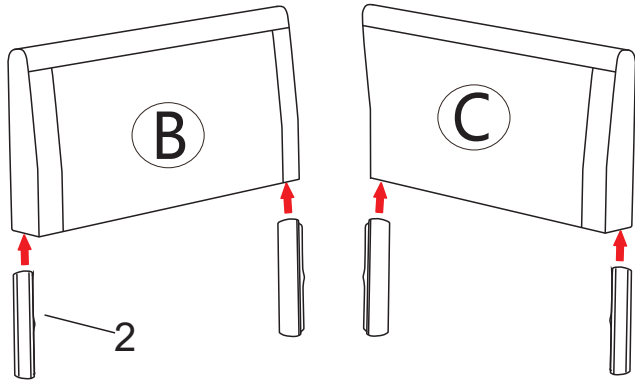
1  X4

2  X4

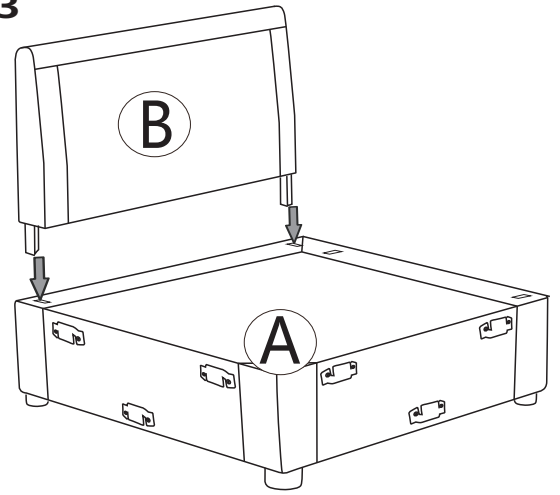
Step 1



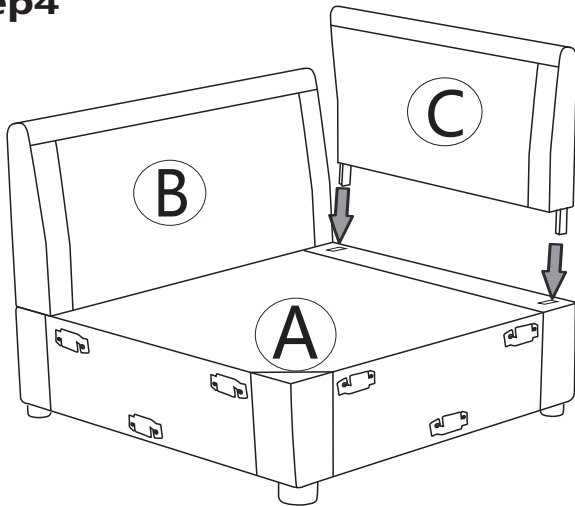
Step2 Please pay attention to follow this step to assemble!



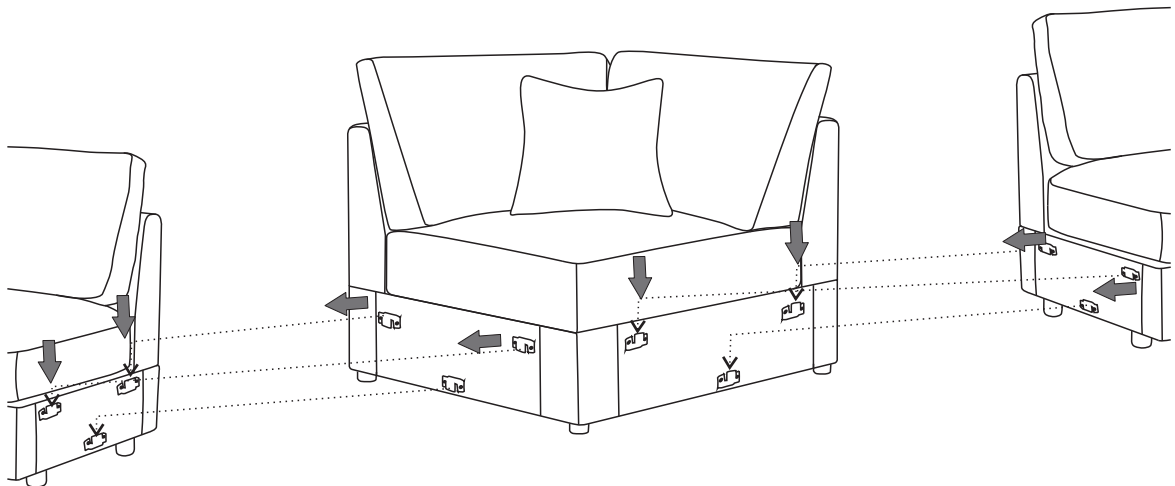
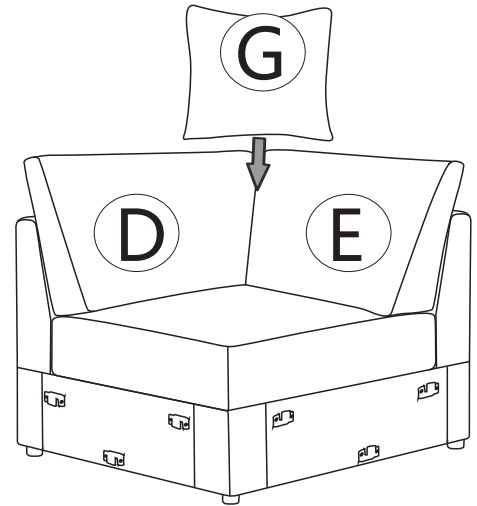
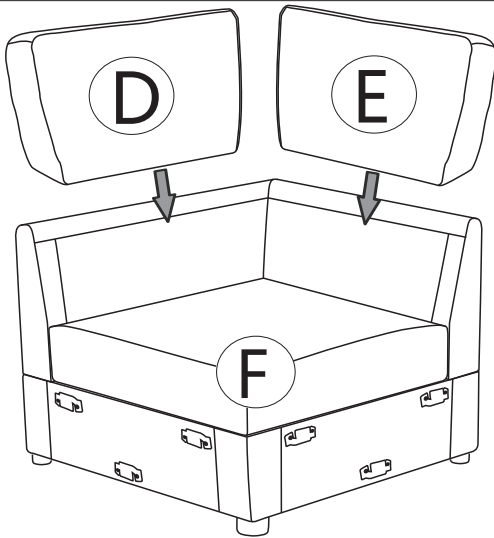
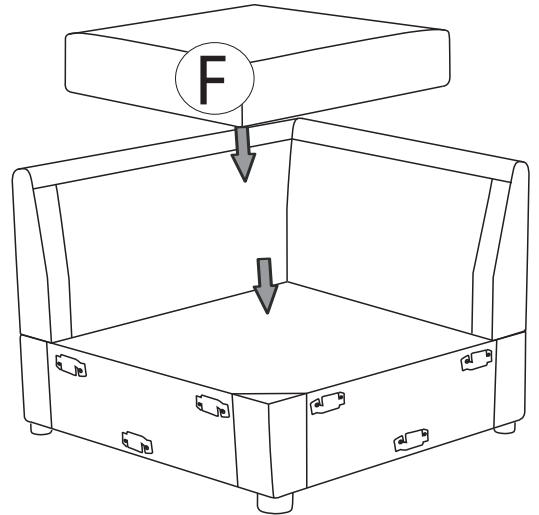
Step3



Step4

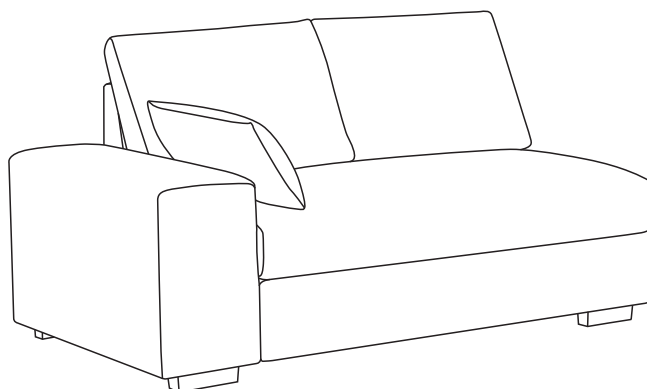


Step5



ASSEMBLY INSTRUCTION

ITEM NO.:



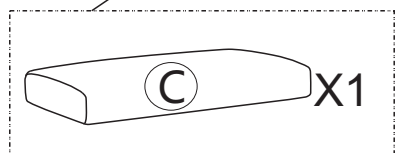
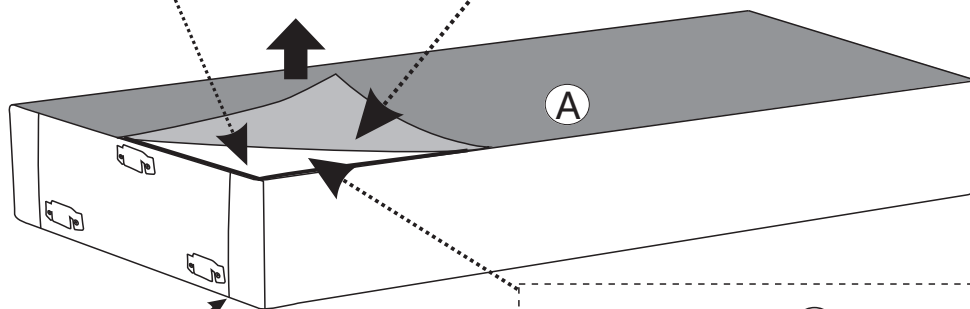
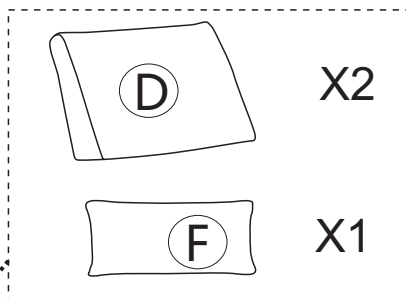
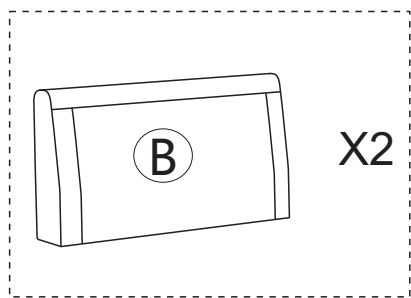
PARTS LIST

A	B	C	D	E	F
X1	X2	X1	X2	X1	X1

HARDWARE LIST

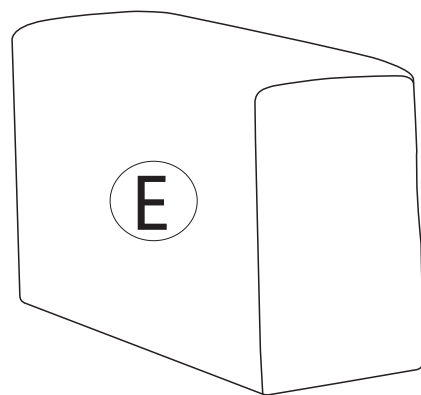
1	2	3	4	5	6	7
X3	X3	X4	M8X60 X3	M5 X1	M5X50 X6	X1

BOX-1

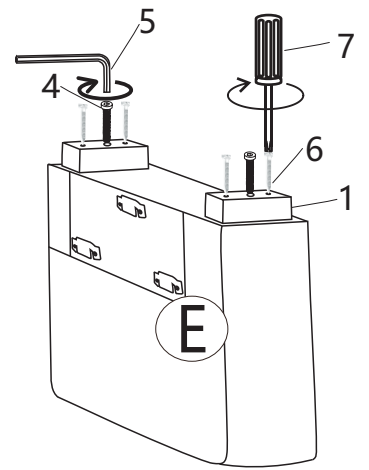
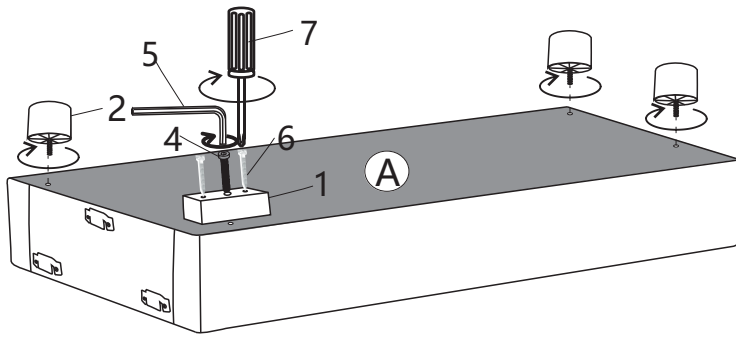


1		X3	5		X1
2		X3	6		X6
3		X4	7		X1
4		X3			

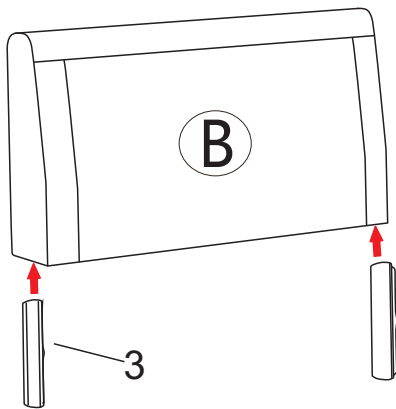
BOX-2



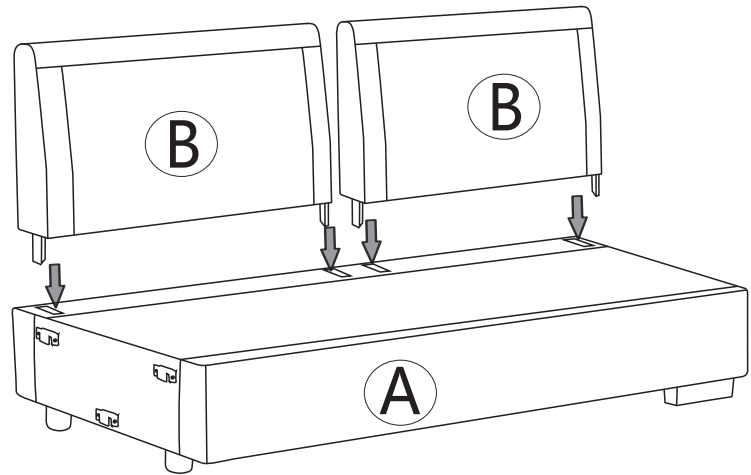
Step1



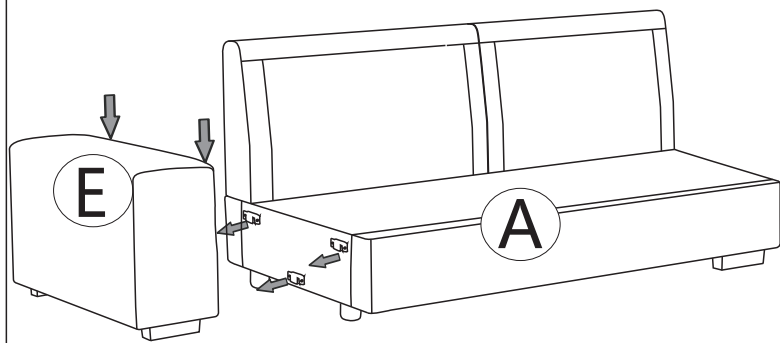
Step2 Please pay attention to follow this step to assemble!



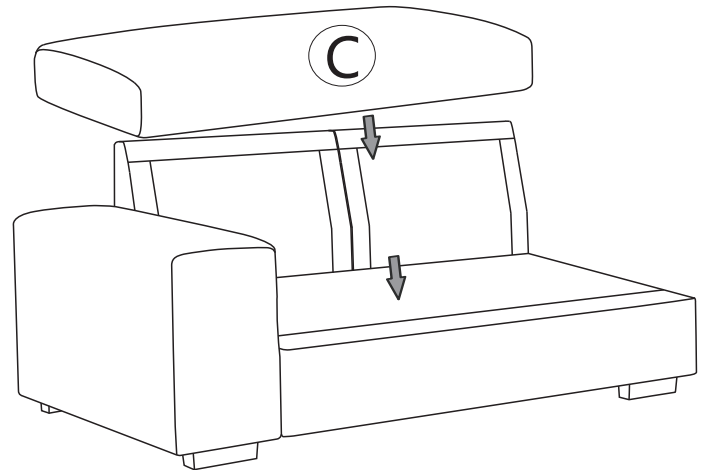
Step3



Step4



Step5



Step6

