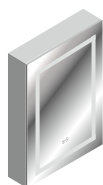


# BLOSSOM<sup>®</sup>

luxury made simple

## RIGEL



20"  
MCL5 2026(L/R)



25"  
MCL5 2526



30"  
MCL5 3026

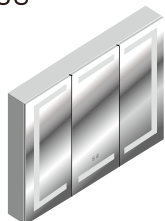


40"  
MCL5 4026

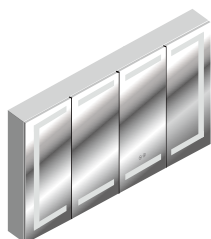


60"  
MCL5 6026

## CANOPUS



60"  
MCL6 6032



72"  
MCL6 7232

## POLLUX



20"  
MCL10 2032(L/R)



24"  
MCL10 2432(L/R)



30"  
MCL10 3032

## CAPELLA



24"  
MCL11 2432(L/R)



30"  
MCL11 3032



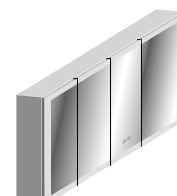
36"  
MCL11 3632



48"  
MCL11 4832



60"  
MCL11 6032



72"  
MCL11 7232

# [ MEDICINE CABINET ]

## Specification & Installation Guide

[www.blossomus.com](http://www.blossomus.com)

# IMPORTANT SAFETY INSTRUCTIONS

When using an electrical furnishing, basic precautions should always be followed, including the following:

**⚠ WARNING:** To reduce the risk of burns, fire, electric shock or injury to persons. Use this furnishing only for its intended use as described in these instructions. Do not use attachments not recommended by the manufacturer. Never drop or insert any object into any opening. Do not use outdoors.

**⚠ WARNING:** Risk of electric shock. Connect this furnishing to a properly grounded circuit only. See grounding instructions.

**⚠ CAUTION:** Maximum shelf load 34lbs/15.4kg

## ELECTRIC CONNECTIONS

**ALL WIRING SHOULD BE DONE BY A QUALIFIED LICENCED ELECTRICIAN.**

**⚠ WARNING:** Shut off power before wiring the cabinet.

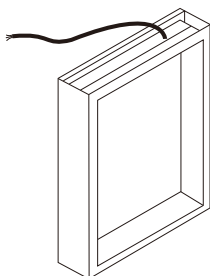
Requires 120 VAC 20 Amp GFI protected Circuit.

### GROUNDING INSTRUCTIONS:

**⚠ CAUTION:** This product must be connected to a grounded metal permanent wiring system or an equipment-grounding conductor must be run with the circuit conductors and connected to the equipment grounding terminal or lead on the product.

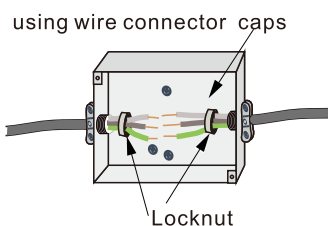
**⚠ WARNING:** An Electrical option cabinet must be wired to a 20 Amp GFI (Ground Fault Interrupter) protected circuit when used in bathrooms and all other locations required by the National Electric Code.

The electric wire comes through the access hole on the top of the cabinet, exact location of access hole varies depending on the product models. Please refer to the actual product for the exact location.

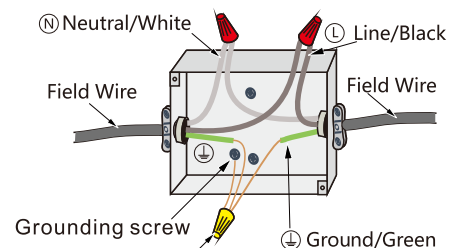


Make connection with Junction box

Neutral to white.  
Line to black.  
Ground to green.

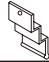
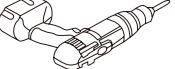

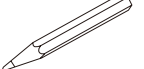
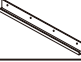

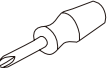



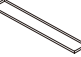



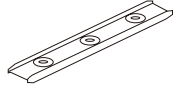


★ junction box is not included ★

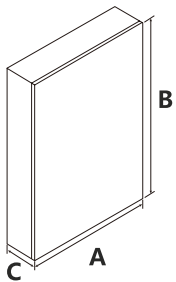


wire connector caps  
★ (not included) ★

# HARDWARE AND TOOLS

Hardware				Tools (not included)		
NO.		Draw	QTY(pcs)			
A	Top mounting bracket		2-8			
B	Bottom mounting bracket		1	Electric Drill	1/8" Drill Bit	Pencil or Marker
C	Hardware screw		5-17			
D	Glass side panel		2	Screw Driver	Silicone	Tape Measure
E	Glass Shelf		2-9			
F	Shelf support bracket		4-18	Toothless flat nose plier		
H	Wall Plug		5-17			Lever

# DIMENSIONS



**A**-Cabinet's Width  
**B**-Cabinet's Height  
**C**-Cabinet's Depth

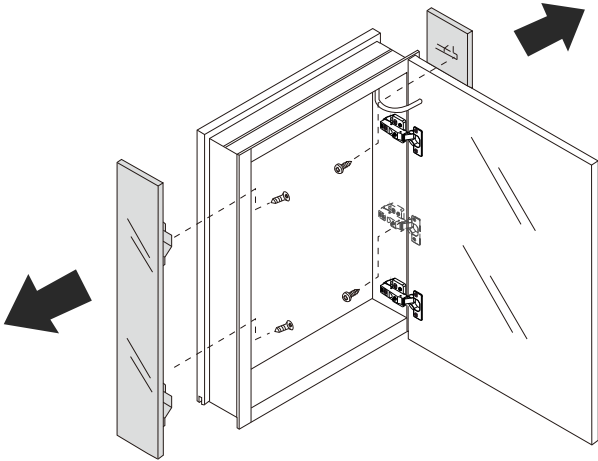
**NOTE:** Determine overall medicine cabinet dimensions. If for recess mounting medicine cabinet, determine rough-in (Wall Cut-out) dimensions.

**NOTE:** All rough-in dimensions for reference only!

Item		A	B	C	Roughin size
Model Number					
RIGEL	MCL5 2026(L/R)	20"	26"	5-1/4"	19-1/2"x25-1/4"x4"
	MCL5 2526	25"	26"	5-1/4"	24-1/2"x25-1/4"x4"
	MCL5 3026	30"	26"	5-1/4"	29-1/2"x25-1/4"x4"
	MCL5 4026	40"	26"	5-1/4"	39-1/2"x25-1/4"x4"
	MCL5 6026	60"	26"	5-1/4"	59-1/2"x25-1/4"x4"
CANOPUS	MCL6 6032	60"	32"	5-1/4"	59-1/2"x31-1/4"x4"
	MCL6 7232	72"	32"	5-1/4"	71-1/2"x31-1/4"x4"
POLLUX	MCL10 2032(L/R)	20"	32"	5-1/4"	19-1/2"x31-1/4"x4"
	MCL10 2432(L/R)	24"	32"	5-1/4"	23-1/2"x31-1/4"x4"
	MCL10 3032	30"	32"	5-1/4"	29-1/2"x31-1/4"x4"
CAPELLA	MCL11 2432(L/R)	24"	32"	5-1/4"	23-1/2"x31-1/4"x4"
	MCL11 3032	30"	32"	5-1/4"	29-1/2"x31-1/4"x4"
	MCL11 3632	36"	32"	5-1/4"	35-1/2"x31-1/4"x4"
	MCL11 4832	48"	32"	5-1/4"	47-1/2"x31-1/4"x4"
	MCL11 6032	60"	32"	5-1/4"	59-1/2"x31-1/4"x4"
	MCL11 7232	72"	32"	5-1/4"	71-1/2"x31-1/4"x4"

## ★ Remove the Door(s) prior to mounting your Cabinet(s) ★

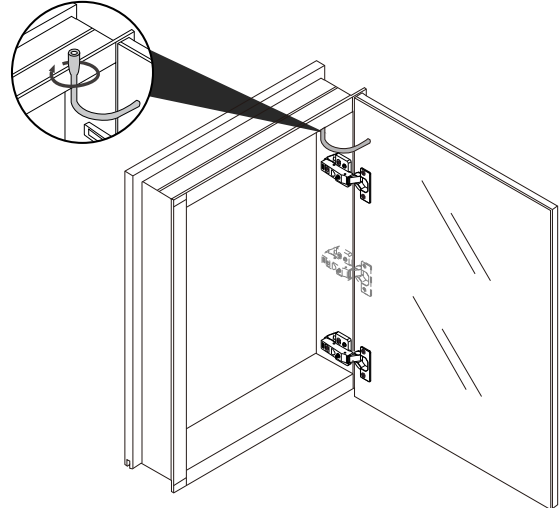
1



**For recess mount only!**

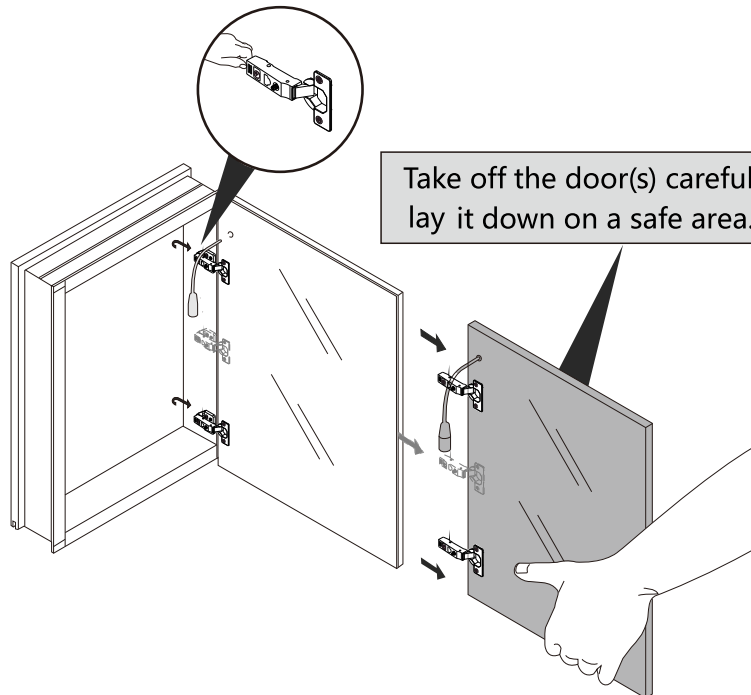
Carefully remove side mirror panels for recess mount installation.

2



Remove door(s) prior to mounting your cabinet. Start with unplugging the door from the cabinet.

3

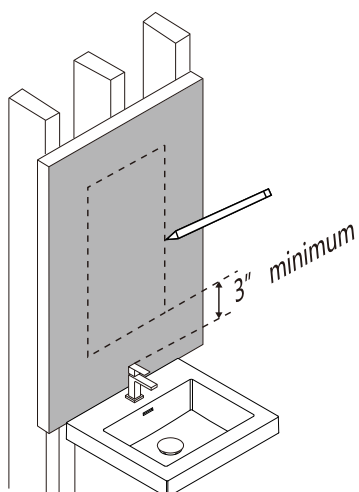


Take off the door(s) carefully and lay it down on a safe area.

While supporting the door release (the lever under the hinge arm), slide the door off the frame.

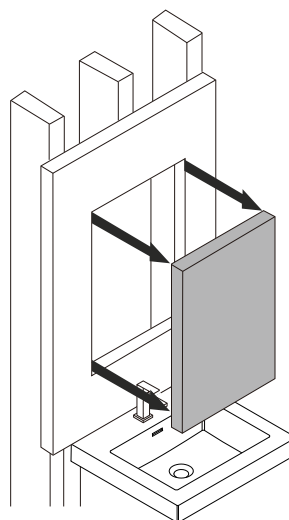
# RECESS MOUNT INSTALLATION CONTINUED

1



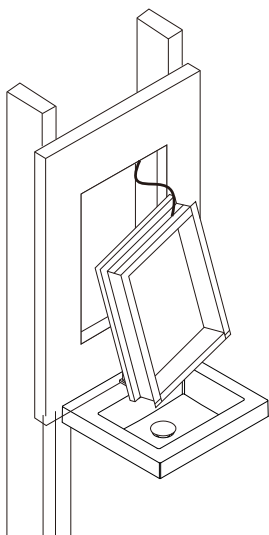
Draw the perimeter of the cabinet on the wall.

2



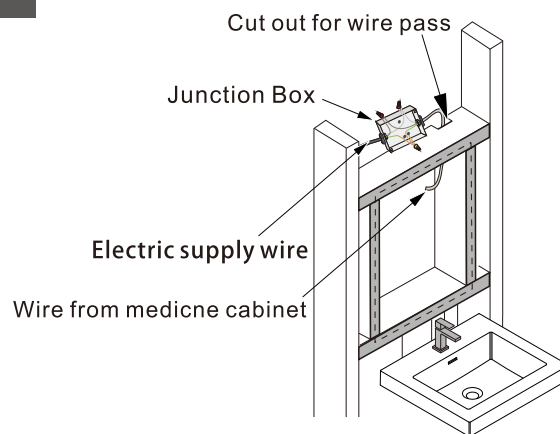
Cut the marked perimeter with suitable tool.

4



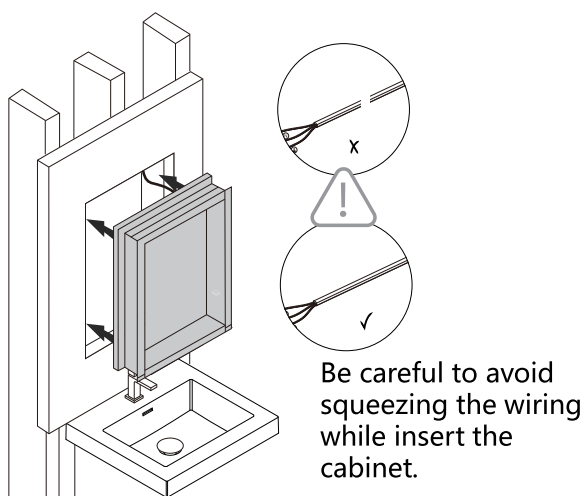
Connect electrical wires before inserting the cabinet into the opening.

3



Frame the opening for the cabinet based on the measurements.

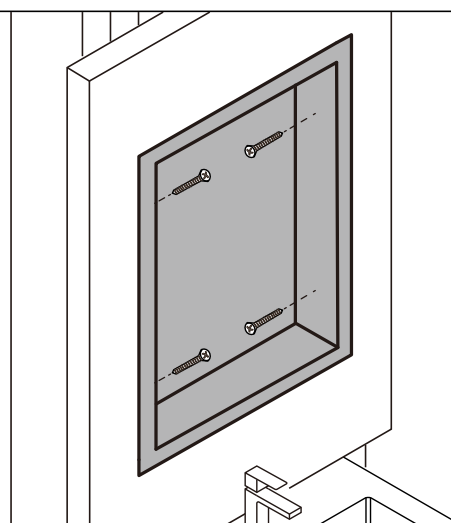
5



Be careful to avoid squeezing the wiring while insert the cabinet.

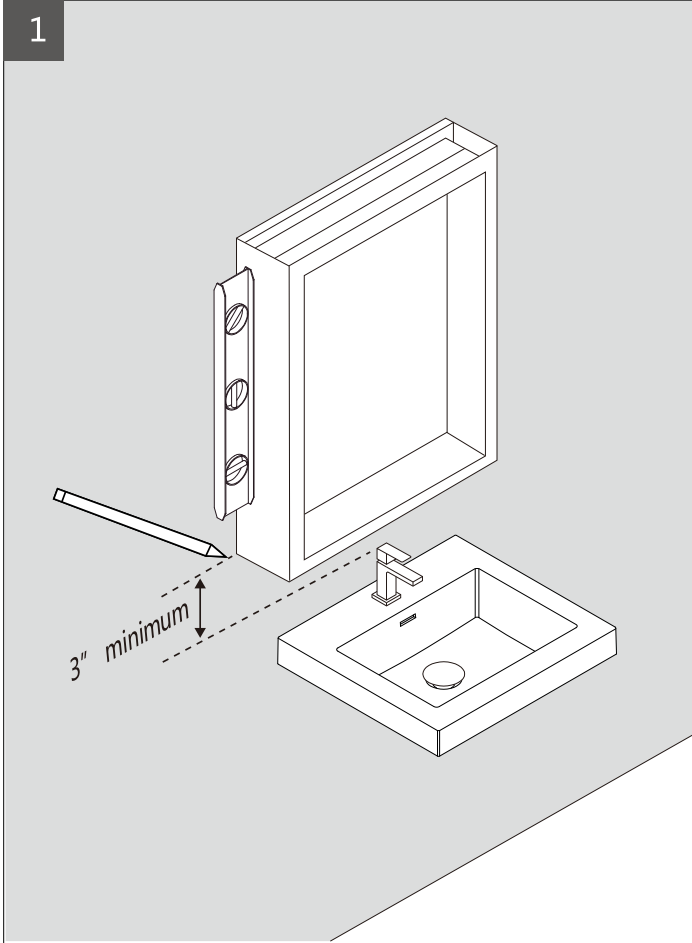
Position cabinet in cut out opening.

6

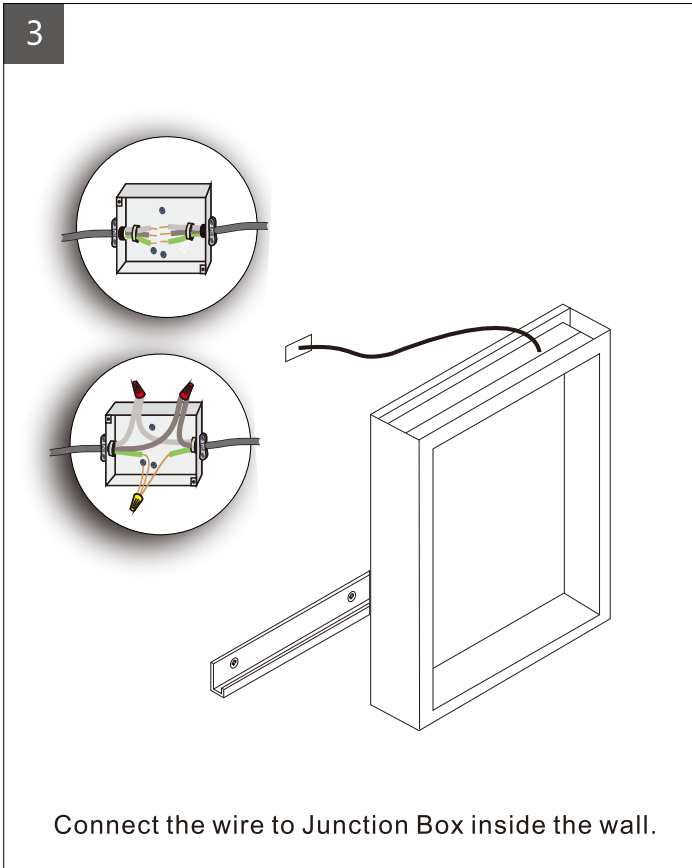
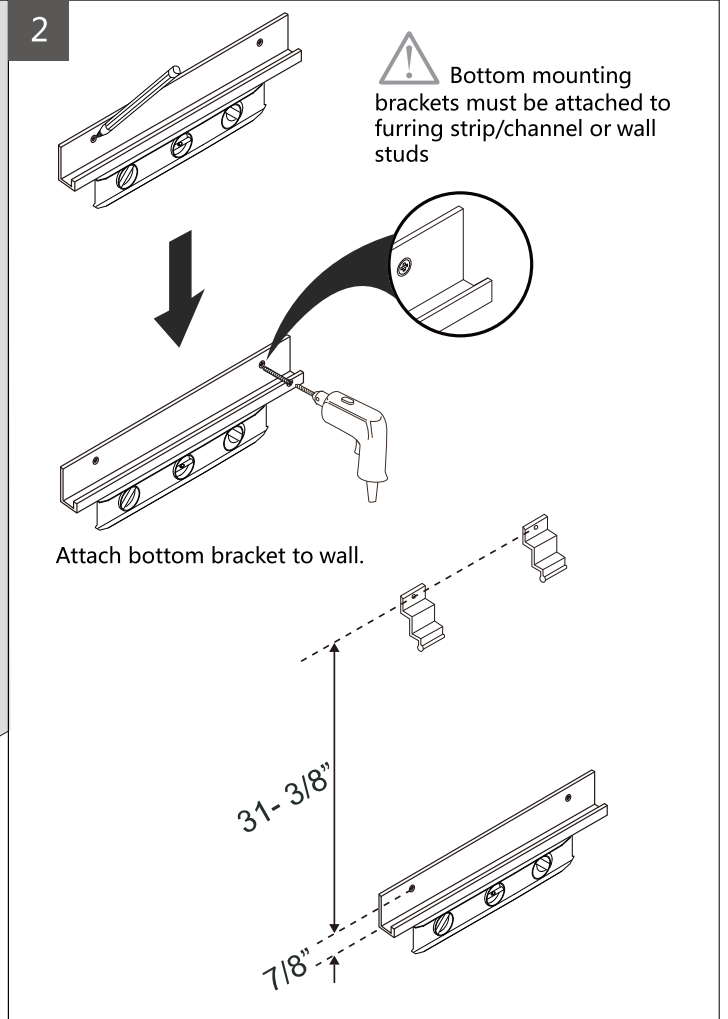


Affix using hardware screws into the studs.

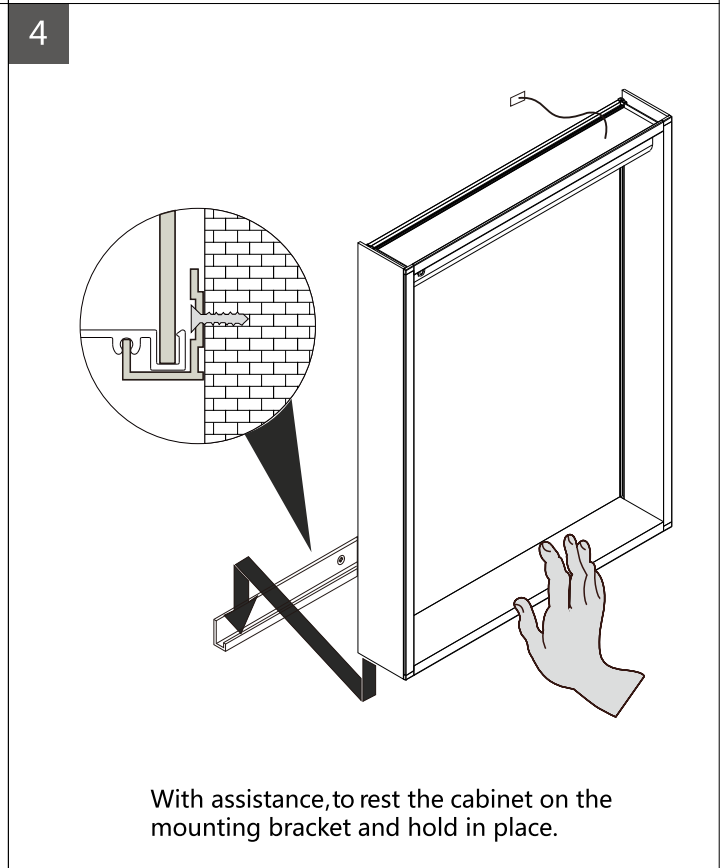
# SURFACE MOUNT INSTALLATION



Level and mark the cabinet's location on the wall.



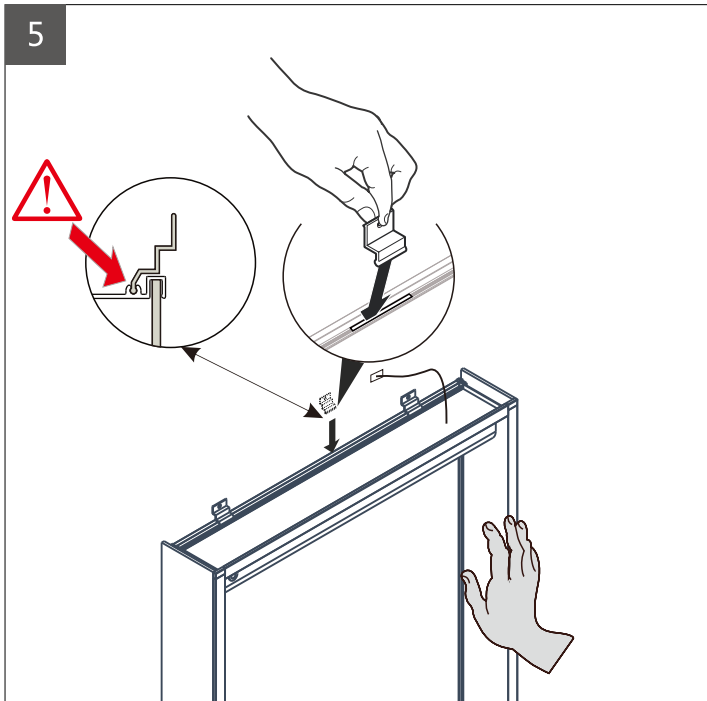
Connect the wire to Junction Box inside the wall.



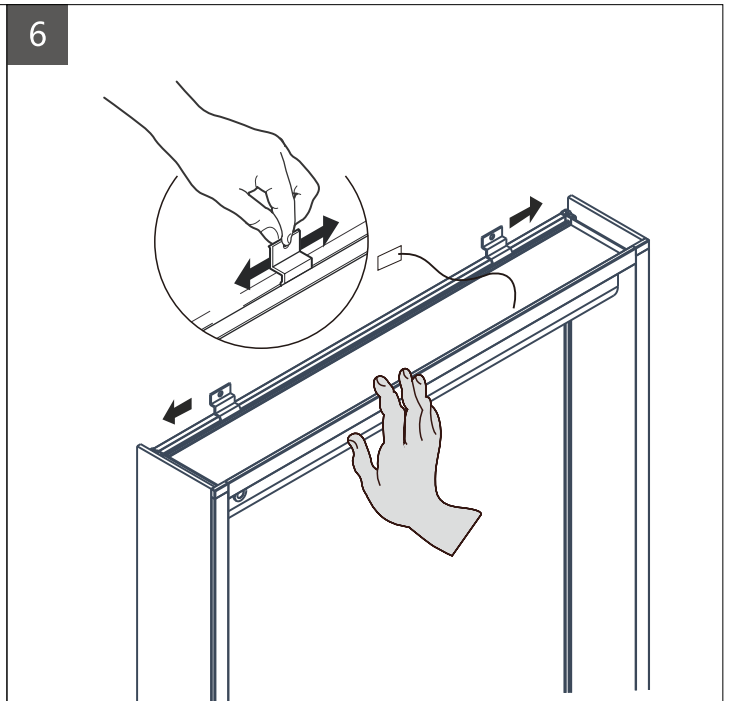
With assistance, to rest the cabinet on the mounting bracket and hold in place.

# SURFACE MOUNT INSTALLATION

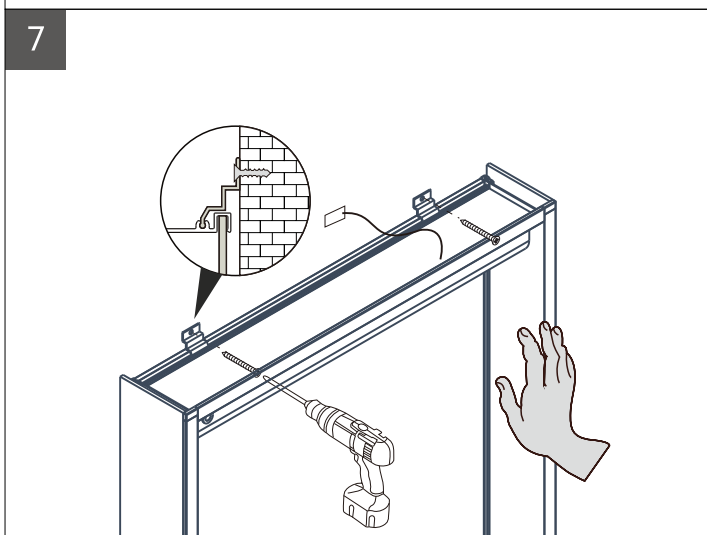
★ **Make sure the top mounting brackets are inserted in to the correct channel. Otherwise, the cabinet may fall off.** ★




Insert top mounting bracket into the top of the cabinet.

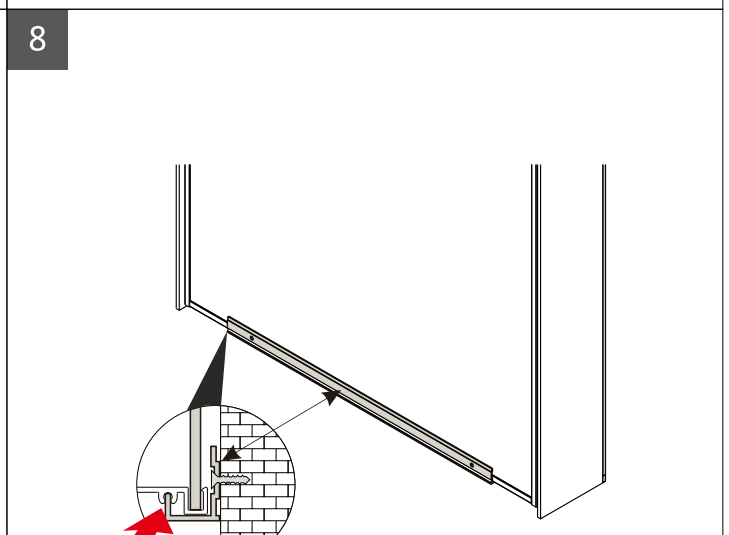



Make sure top brackets are locked in the grooves.



 Top mounting brackets must be attached to furring strip/channel or wall studs.

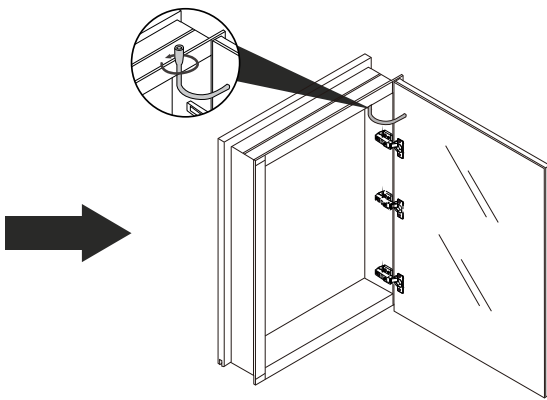
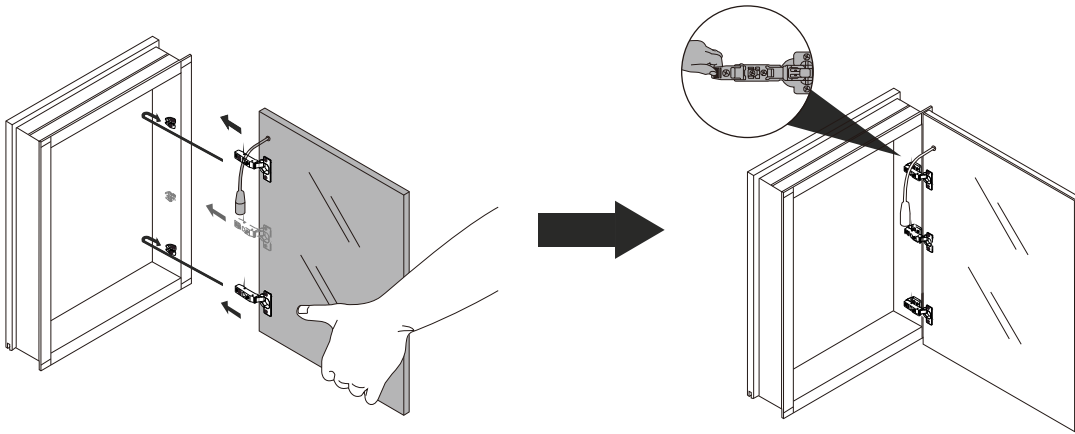
Attach the top mounting bracket to the wall using a screw gun.



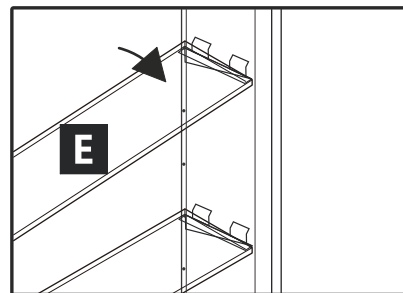
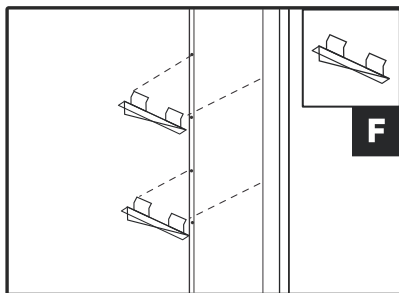
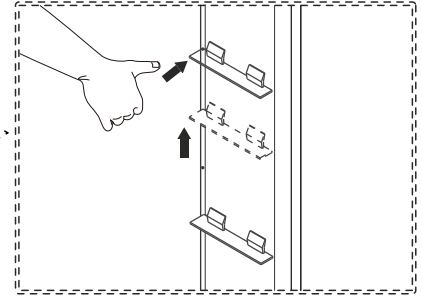
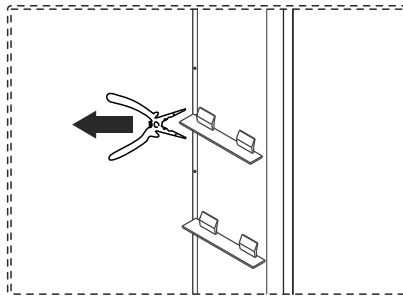
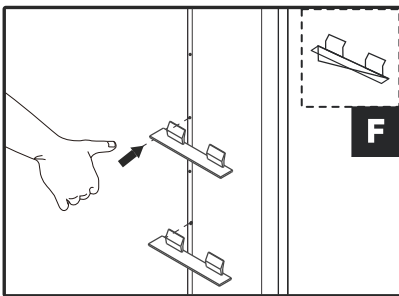
 Make sure cabinet is leveled and fully inserted into the groove of the bottom bracket.

Test the fit of the cabinet before Final assembly.

# FINAL ASSEMBLY



1. Slide the doors into place by pinching the end of the hinges.
2. Plug the door into the cabinet.



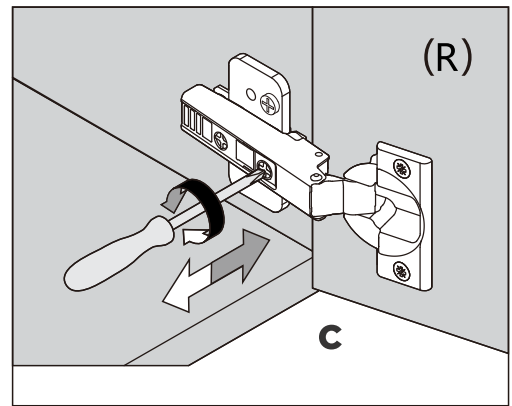
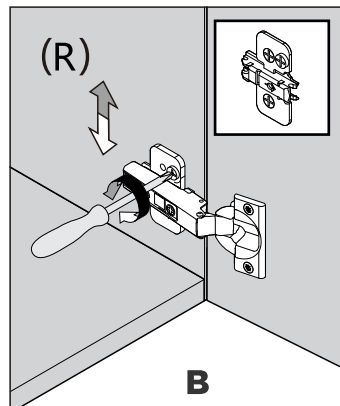
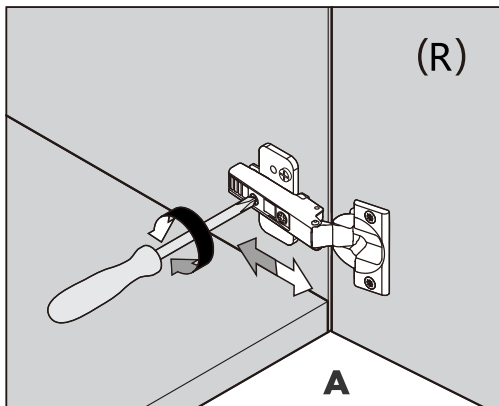
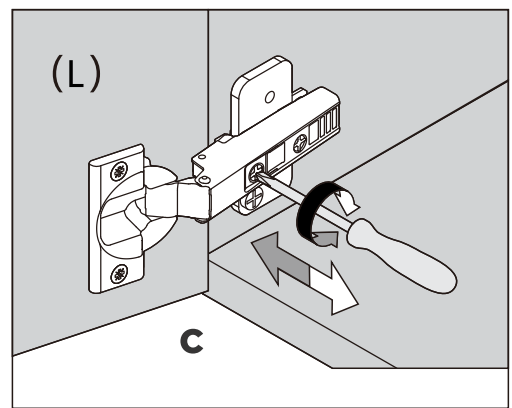
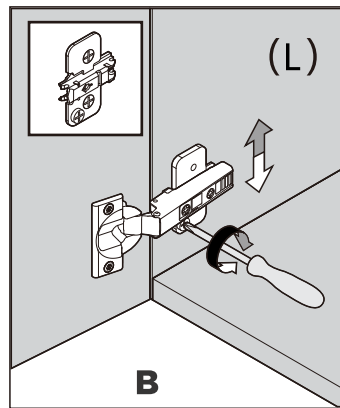
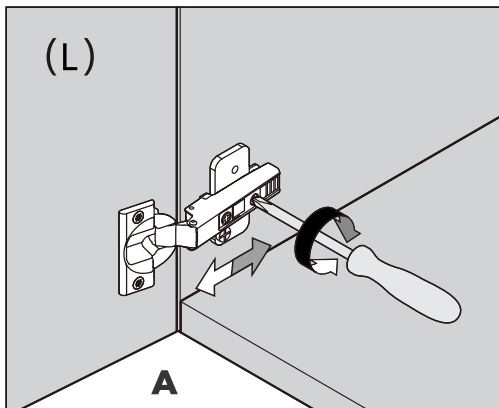
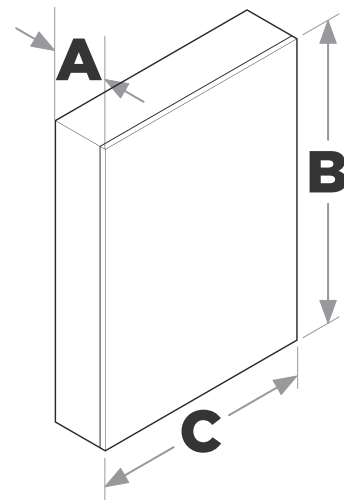
1. Insert clear snap in shelf clips (F) into holes on the sides of the cabinet.

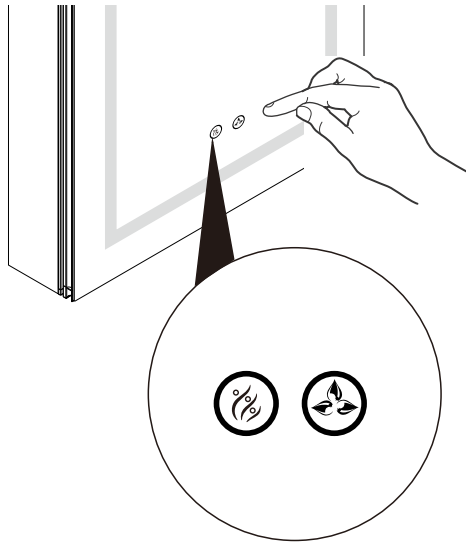
## OPTIONAL DOOR ADJUSTMENT

Doors may need to be adjusted after the initial shipping of the cabinet. The cabinet doors have a three-way adjustment feature.

Height, side-to-side, level and depth can be adjusted. With the hinge slightly closed you can access the middle screw for up/down adjustment.


With the hinge fully extended you can access the front and back screws. These screws will move the door side to side and in and out.





How to use touch sensor switches:  

**Tap**  key to turn on/off LED light.

**Hold**  key to turn off lighting of the button when LED light is off.

**Tap**  key to turn on/off defogging function.

**Hold**  key to turn off lighting of the button when defogger is off.

## Use and Maintenance:

The interior is constructed of mirrored glass and aluminum. Use only a damp cloth to clean. Ammonia or vinegar-based cleansers can damage mirrors.

When cleaning, spray the cloth, not the mirror, or surrounding surfaces. Do not use abrasive cleansers on any parts of the light fixture.

## Limited Warranty Two Years Term

BLOSSOM warrants to the original purchaser that, it will, at its election repair, replace, or make appropriate adjustment to products made by this company shown to have significant defects in material or workmanship which are reported to BLOSSOM in writing within two (2) years from the date of delivery. BLOSSOM is not responsible for installation costs. The warranty is void in the event the product is damaged in transit, or if damage or failure is caused by abuse, misuse, abnormal usage, faulty installation, damage in an accident, improper maintenance, or any repairs other than those authorized by BLOSSOM. At the expiration of the two years warranty period, BLOSSOM shall be under no further obligation under any warranty, expressed or implied, including the implied warranty of merchantability. BLOSSOM shall not be liable for any consequential damages arising out of or in connection with the use or performance of its products. Some states do not allow limitations on how long an implied warranty lasts or do not allow the exclusion or limitation of incidental or consequential damages, so the above limitation or exclusion may not apply to you. Any liability against BLOSSOM under any implied warranty, including the warranty of merchantability, is expressly limited to the terms of this warranty. Permission to return any merchandise under this warranty must be authorized by BLOSSOM and returned prepaid by the purchaser. Claims under this warranty should be sent directly to your dealer.

**BLOSSOM**

**ALL RIGHTS RESERVED**



Blossom  
(718)-366-0088 | [sales@BlossomUS.com](mailto:sales@BlossomUS.com) | [www.BlossomUS.com](http://www.BlossomUS.com)

For clarification, please contact us at (718)-366-0088 or [sales@BlossomUS.com](mailto:sales@BlossomUS.com)

All dimensions are approximate and subject to standard tolerance. Specifications subject to change without prior notice. Save these instructions for future use and reference. An improper installation voids the warranty.