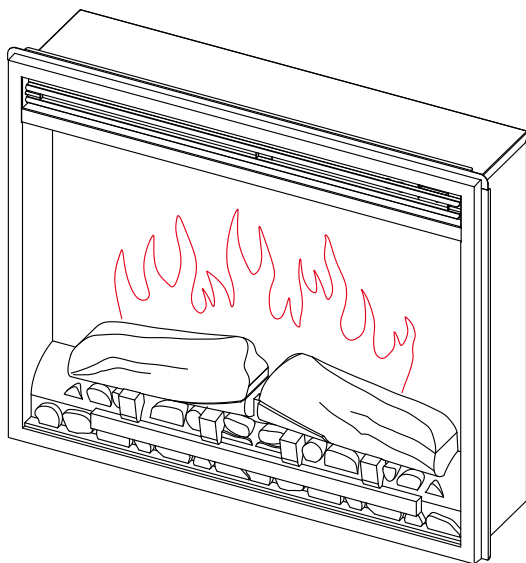


# ELECTRIC FIREPLACE INSERT


## INSTRUCTION MANUAL



PLEASE READ THE INSTRUCTIONS CAREFULLY BEFORE  
INSTALLING AND USING APPLIANCE.

SAVE THIS INSTRUCTION MANUAL FOR FUTURE REFERENCE.

# IMPORTANT SAFETY INFORMATION

- Read all of the instructions before using this appliance.
- For indoor use only. This appliance is not suitable for use outside the house and only suitable for well insulated spaces or occasional use.
- DO NOT use this appliance in the immediate surroundings of a bath, a shower or a swimming pool.
- DO NOT use this fire as a free-standing appliance. It must always be fixed to the fireplace mantel listed in this manual.
- This fire must not be located immediately below a socket outlet.
- This appliance must be earthed.
- This appliance must not be supplied through an external switching device, such as a timer, or connected to a circuit that is regularly switched on and off by utility in order to avoid a hazard due to the inadvertent resetting of the thermal cut out.
- If the power cord is damaged, it must be repaired by the manufacturer, its authorised service centre or professional person.
-  The figure in the marking is "DO NOT COVER"

**WARNING!** in order to avoid overheating, do not allow the appliance to be covered or let the air inlet/outlet become obstructed.

- To reduce the risk of fire, keep textiles, curtains, or any other flammable material a minimum distance of 1 metre from the air outlet.
- Keep the power cord away from hot surfaces and hot conditions. DO NOT route the power lead in front of the appliance.
- DO NOT use this fire in rooms that have explosive fumes in them (for example petrol), or if you are using solvents, glue, aerosol spray or flammable paints, as these may catch fire.
- This appliance can be used by children aged from 8 years and above and persons with reduced physical, sensory or mental capabilities or lack of experience and knowledge if they have been given supervision or instruction concerning use of the appliance in a safe way and understand the hazards involved.
- Children and vulnerable people must be supervised at all times when using this appliance, as some parts can become very hot and cause burns.
- DO NOT use this appliance in small rooms when they are occupied by persons not capable of leaving the room on their own, unless constant supervision is provided.

- Children aged between 3 and 8 years old should only switch on/off the appliance provided that it has been placed or installed in its intended normal operating position and instructions and supervision concerning the safe usage of the appliance are given.
- Cleaning and user maintenance shall not be made by children without supervision.
- This appliance shall not be played with by children.
- Children of less than 3 years should be kept away unless continuously supervised.
- Keep the power plug accessible after installation.
- DO NOT use if there are visible signs of damage to the appliance.
- Do not use this heater if it has been dropped.
- Use this heater on a horizontal and stable surface, or fix it to the wall, as applicable.

**WARNING! Information below for authorized person or service centre only:**

A non-rewireable plug fitted with a 13A fuse is supplied. Should the fuse or plug need replacing, and you are competent to do so, it must be replaced with a 13A fuse or plug being 13A BS1363A approved.

## TECHNICAL SPECIFICATIONS

Supply Voltage: AC 230-240V 50Hz

Maximum power consump on: 2KW

Power for flame and fuel bed effect:

<b>POWER</b>	2,9W	3,1W	3,1W	3,8W	2,9W	3,1W	3,1W	3,8W
--------------	------	------	------	------	------	------	------	------

Power for mood light:

<b>POWER</b>	1,6W	1,9W	2,2W	2,6W	1,6W	1,9W	2,2W	2,6W
--------------	------	------	------	------	------	------	------	------

### HEAT OUTPUT:

Nominal heat output (Pnom): 2KW

Minimum heat output(indicative) (Pmin): 1KW

Maximum continuous heat output (Pmax): 2KW

### AUXILIARY ELECTRICITY CONSUMPTION:

At nominal heat output (elmax): 12,5W

At minimum heat output (elmin): 12,0W

In standby mode (elSB): 0,55W

## TYPE OF HEAT OUTPUT/ROOM TEMPERATURE CONTROL

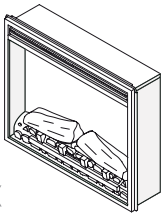
Single stage heat output and no room temperature control	No
Two or more manual stages, no room temperature control	No
With mechanic thermostat room temperature control	No
With electronic room temperature control	Yes
Electronic room temperature control plus day timer	No
Electronic room temperature control plus week timer	No

## OTHER CONTROL OPTIONS

Room temperature control, with presence detection	No
Room temperature control, with open window detection	No
With distance control option	No
With adaptive start control	No
With working time limitation	No
With black bulb sensor	No

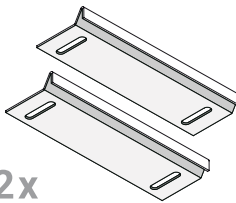
## PARTS AND HARDWARE

- Unpack the fire carefully, make sure that the appliance is intact with no signs of damage caused by transport and no part has been exposed to water. If in doubt, do not use the appliance and contact an authorised service centre.
- Keep plastic wrapping away from children.
- Save the original packaging as this may be required in the event of service complaint with product.
- Check that all parts are removed from the packaging.



1x

Firebox



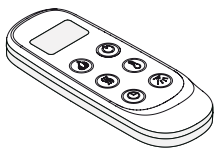
2x

Fixing Bracket



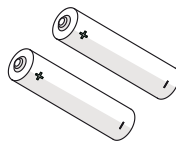
8x

ST3.5x12 Screw



1x

Remote Handset



2x

Battery

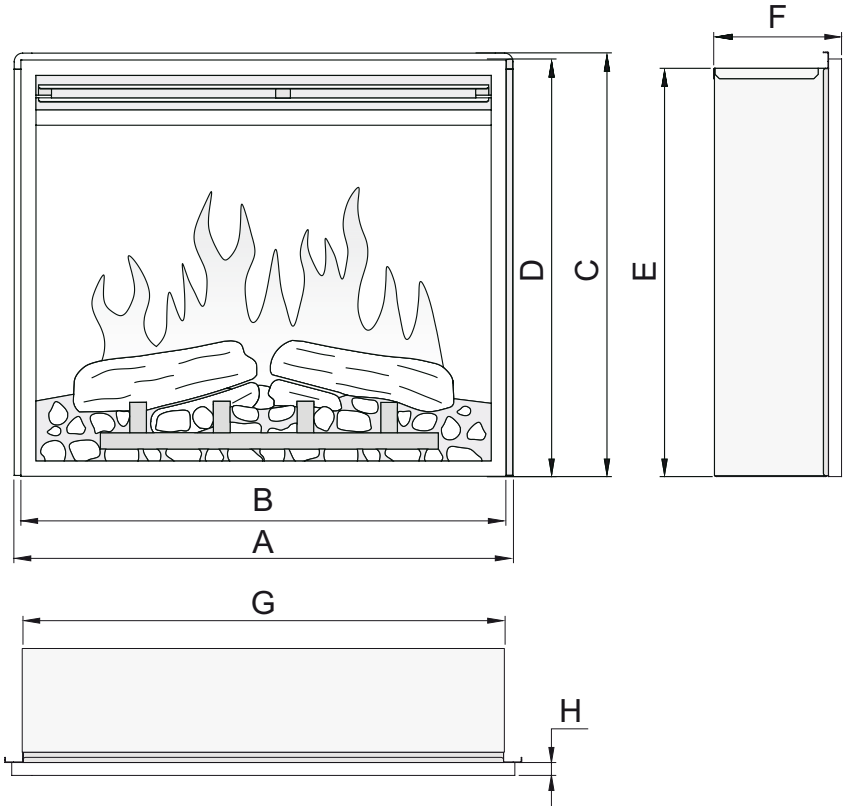


1x

Instruction

# APPLIANCE DIMENSIONS

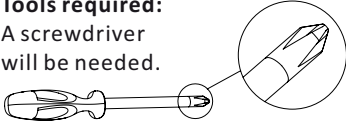
UNIT : mm



A	B	C	D	E	F	G	H
476	460	493	485	477	150	441	15
596	580	493	485	477	150	561	15
696	680	493	485	477	150	661	15
796	780	493	485	477	150	761	15
476	460	448	440	432	150	441	15
596	580	448	440	432	150	561	15
696	680	448	440	432	150	661	15
796	780	448	440	432	150	761	15

# INSTALLATION INSTRUCTIONS

**Tools required:**  
A screwdriver  
will be needed.



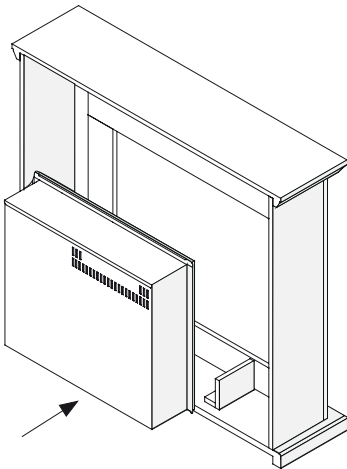
## 1.SETTING UP THE APPLIANCE

Your new electric fireplace may be installed virtually anywhere in your home. However, when choosing a location ensure that the general instructions are followed.

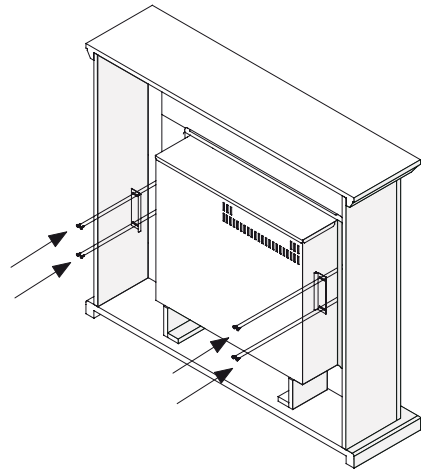
- For best results, install out of direct sunlight.
- The appliance should be connected to an earthed electrical outlet and it must be easily accessible to allow disconnection.

## 2.INSTALLING THE APPLIANCE

- Install the insert from the back of the mantel.
- Use 8pcs ST3.5x12 screws to fix the fixing brackets on both sides on the mantel.



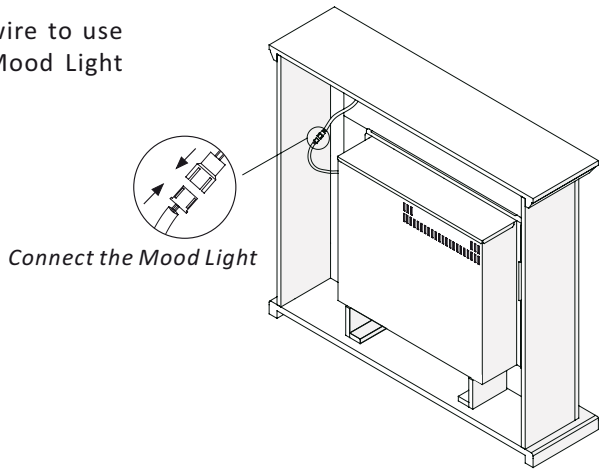
*Backside of the mantel*



*Use 8pcs ST3.5x12 screws*

### 3.CONNECT THE MOOD LIGHT

- Please connect the wire to use the additional LED/Mood Light illumination.



**NOTE:** Compatible mood lights are available from Modello Ltd. Other brands may not be suitable, and will void warranty.

### 4.ATTACHING THE FIREPLACE MANTEL

- Follow the installation instructions packed with (X=A,B,C...); for more details of mantel.

## OPERATING INSTRUCTION

### 1.GENERAL

**WARNING!** Do not operate the appliance if it is damaged or has malfunctioned. If you suspect the appliance is damaged or has malfunctioned, call a qualified service engineer to inspect the appliance, and replace any part of the electrical system if necessary, before re-use.

**WARNING!** To reduce the risk of fire, keep textiles, curtains, or any other flammable material a minimum distance of 1 meter from the air outlet

- **MAKE SURE** the plug fits tight in the outlet. Faulty wall outlet connections or loose plugs can cause the outlet to overheat.
- **DO NOT** disconnect the power at the mains supply whilst the appliance is running. Use the functions on the remote to turn the fire off and ensure the mains switch has been moved to the off position before disconnecting.

## PREPARATION BEFORE USE

- The appliance can be operated by both remote control and the manual controls on the appliance.

**NOTE:** To use both remote and manual functions the manual on/off switch must be in 'ON' position. In order to prevent the product becoming too hot, there is a 10s delay when turning on the heater and a 10s delay when turning off the heater fan.

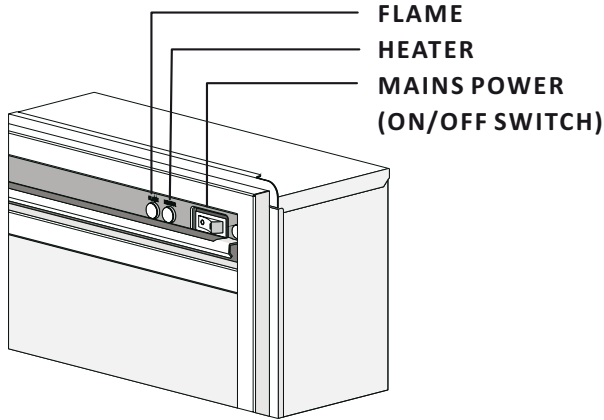
## BATTERIES

- Ensure that the handset batteries are new and inserted correctly.

## MAIN POWER SWITCH

- The mains power switch is located on the control panel located on the righthand side of the heater box.
- Switch ON (-) before operating either the remote or manual controls.
- A long beep is heard to indicate the fire is ready for use.

## 2. MANUAL CONTROL PANEL



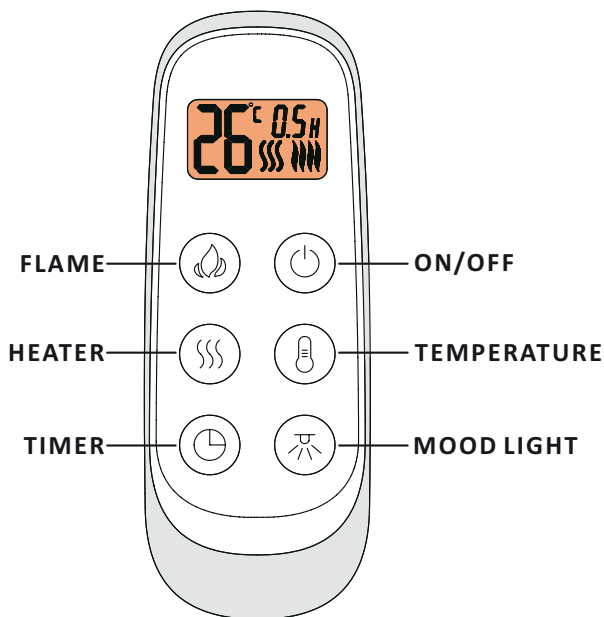
**NOTE:** The manual button controls basic functions, not a full range of controls. Use the remote handset to carry out all functions.

1. Press “FLAME” button to select the colour of flame (4 options).
2. Press “HEATER” to turn the fan on, press again to turn on the high heat, press the third time to turn the heat off. There are 3 levels you can cycle through including the OFF setting.

**NOTE:** The controls on appliance will lose the memory for all function settings when the switch is set to the Off Position.

## 3. REMOTE CONTROL

**NOTE:** Aim the remote control at the remote receiver which is at the middle of screen.



<b>FLAME</b>	Press to cycle through 4 flame effects.
<b>HEATER</b>	Press to cycle through Low-High-Off. Note: If the thermostat is on and room temp is higher than temperature set, the heater will not work.
<b>TIMER</b>	Press to cycle through 0.5H, 1H, 2H, 3H, 4H, 5H, 6H, 7H, 8H, 9H, and off.
<b>ON/OFF</b>	Press to turn appliance and flame effects on. Press again turns appliance and flame effects off.
<b>TEMPERATURE</b>	Press to adjust the temperature. <ul style="list-style-type: none"> <li>Digital display shows the temperature setting 23°C (default setting), with 14 settings cycle from "OFF", "16°C" to "28°C".</li> <li>The TEMP will increase by 1°C up to 28°C when pressed each time.</li> <li>By pressing the TEMP for 3S, the digital display can show between °C and °F.</li> </ul>
<b>MOOD LIGHT</b>	Press to turn the mood light on or off.

## IMPORTANT SAFETY INFORMATION FOR REMOTE CONTROL

1. Two AAA alkaline batteries are required for the remote control;

2. Use the thumb press and push the bar figure on the back cover down simultaneously, then take out the cover and remove the battery or insert the battery, after this put the cover back to its body back;
3. This AAA alkaline battery (non-recharged) is not to be recharged;
4. Different types of batteries or new and used batteries are not to be mixed;
5. Batteries are to be inserted with the correct polarity;
6. Exhausted batteries are to be removed from the appliance and safely disposed of;
7. If the remote control is to be stored unused for a long period, the batteries should be removed;
8. The supply terminals are not to be short-circuited

## RESETTING THE THERMAL CUT OUT

The appliance is fitted with an Electronic Safety Control (E.S.). This is a safety device, which switches off the fire if, for any reason, the appliance overheats, e.g. when covered. If the heater stops operating while the flame effect continues working normally, this indicates that the E.S. Control is in operation. The E.S. Control can only be re-set after the appliance has cooled down, and the appliance has been reset. Resetting of the E.S. Control proceeds as follows:

1. Switch off the appliance (Manual On/Off switch) and leave it off for approximately 10-15 minutes.
2. Remove any obstruction to the fan heater outlet or fan blades etc. Make sure that the power supply is disconnected with the plug socket outlet while doing this.
3. Switch on the appliance and the E.S. Control will be reset.
4. Ensure that the appliance is functioning correctly. If the E.S. Control operates again, the appliance should be checked by a competent electrician.

## MAINTENANCE

**WARNING!** Before any maintenance or cleaning of the exterior of the fireplace, the unit should be disconnected from the power supply until it has cooled.

## REMOTE HANDSET BATTERY REPLACEMENT

Replace with two AAA batteries. Make sure the batteries are installed correctly in the remote control.

## MAINTENANCE OF MOTORS

The motors used on the fan and flame effect are pre-lubricated for extended bearing life and require no further lubrication. However, periodic cleaning/vacuumping of the fan/heater unit is recommended.

## CLEANING THE FIREPLACE

You can clean the exterior of the fireplace with a soft, damp, lint-free cloth. DO NOT use cleaning or polishing products. To remove fingerprints or other marks on the front glass panel, use a soft, damp, lint-free cloth with a good quality household glass cleaner. The front glass panel should always be completely dried with a clean, lint-free cloth or paper towel.

**WARNING!** Abrasive cleaners should not be used on the glass panel. Liquids should not be sprayed directly onto any surface of the unit.

## DISPOSAL



Meaning of crossed-out wheeled dustbin: Electrical appliances should not be disposed as unsorted municipal waste. Separate collection facilities should be used in the disposal of electrical appliances. To have this appliance processed at the end of its useful life please contact WEEE Care Plc on 0844 8002004. The relevant producer number is WEE/MM3069AA.



This fire complies with the Safety Standards BS EN 60335-1 and BS EN 60335-2-30 which covers the essential requirements of the Electrical Equipment (Safety) Regulations 2016 (S.I.2016/1101) and the EMC standards BS EN55014-1; BS EN 55014-2; BS EN 61000-3-2 and BS EN 61000-3-3 which covers the essential requirements of the Electromagnetic Compatibility Regulations 2016 (S.I.2016/1091).