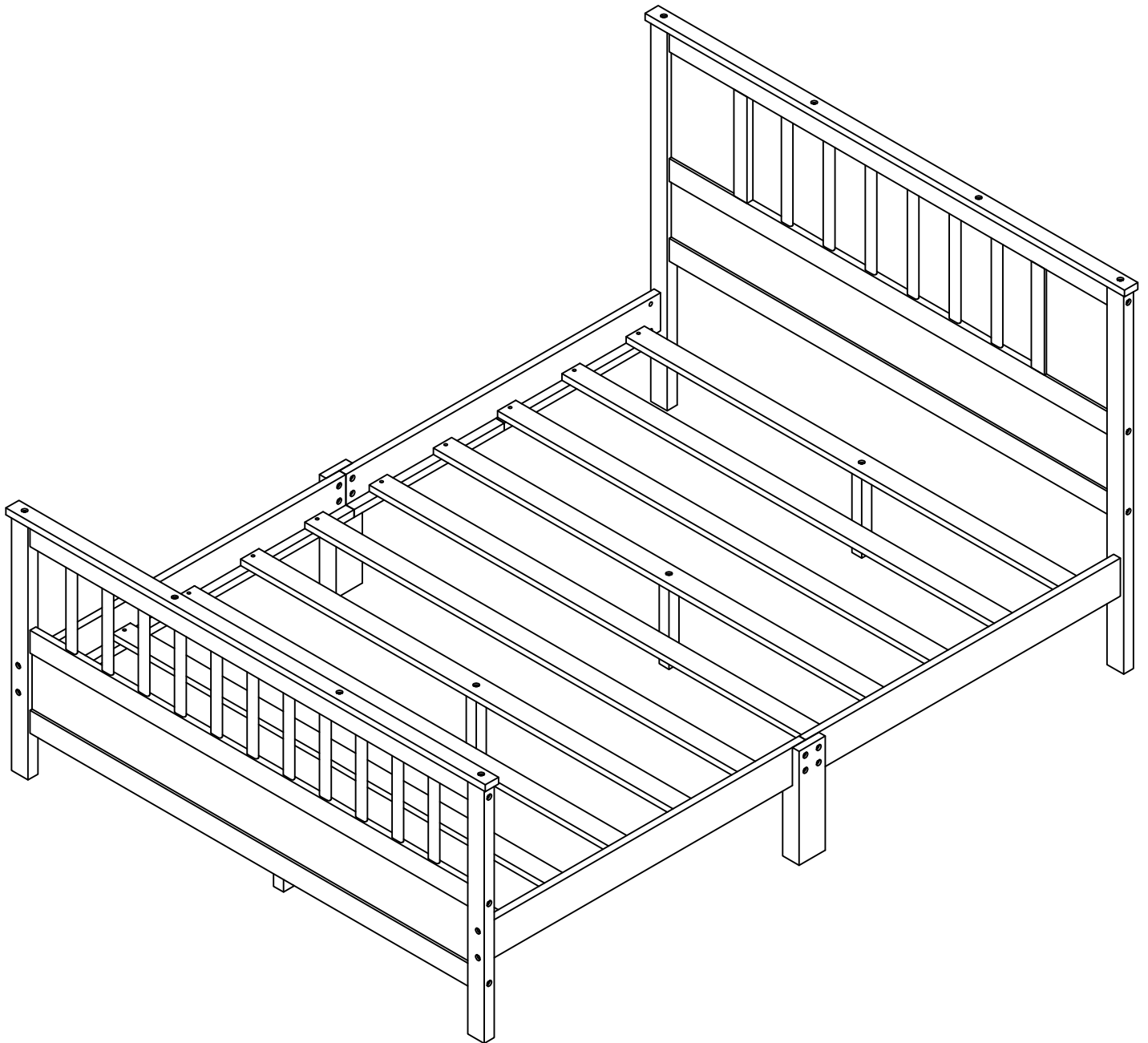
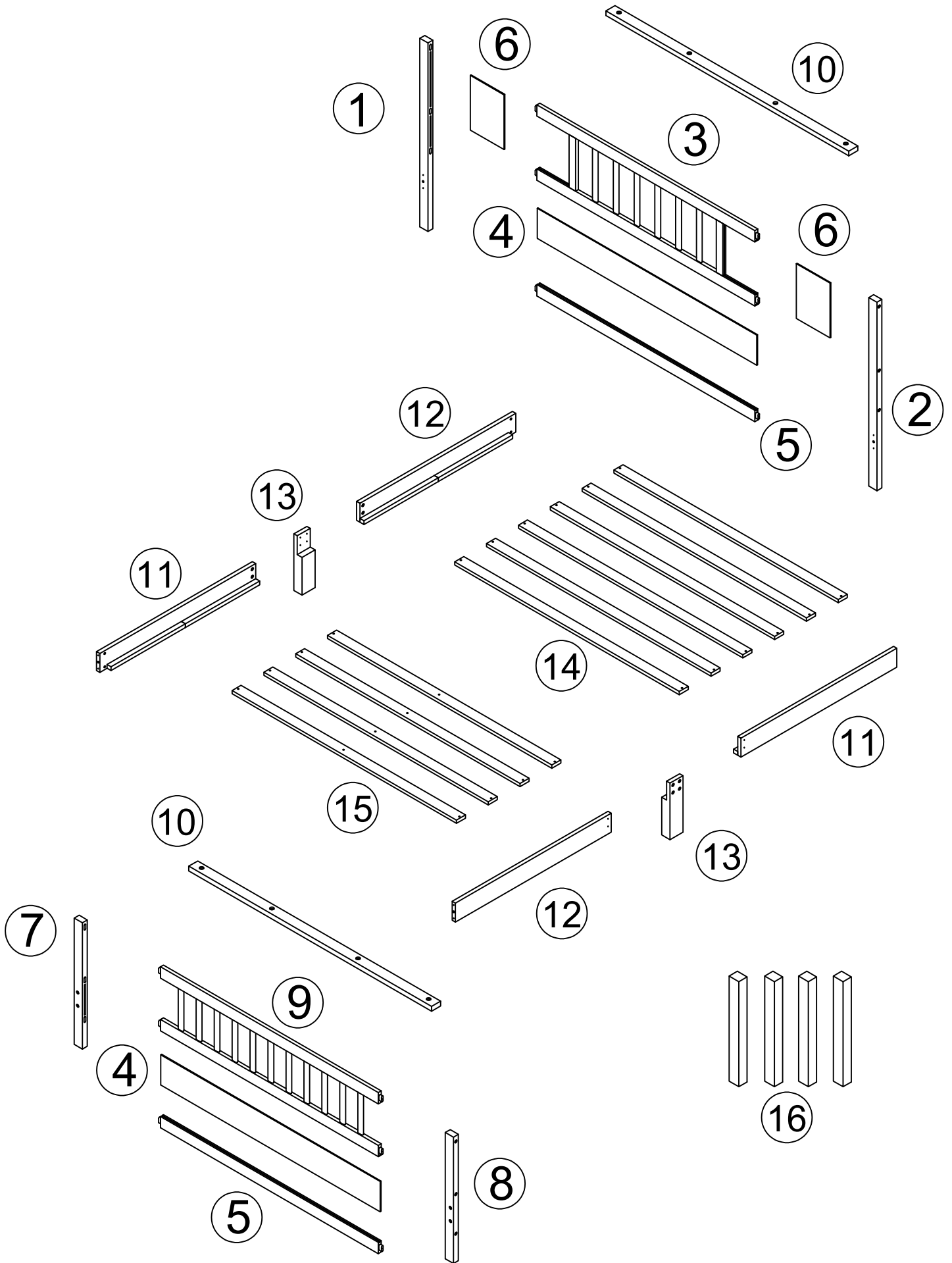



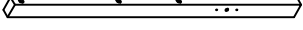
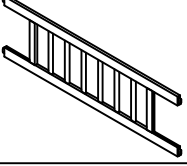
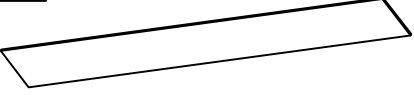



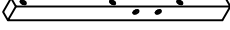
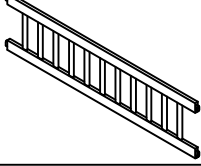
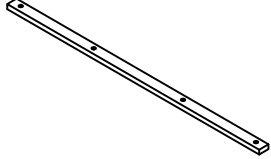
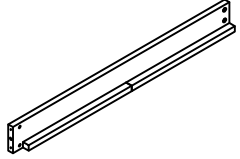
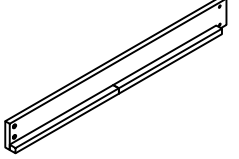
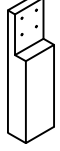
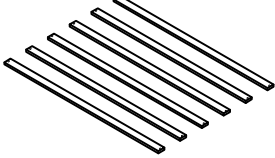
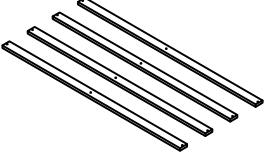
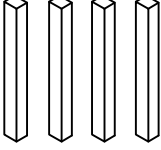
ASSEMBLY INSTRUCTION



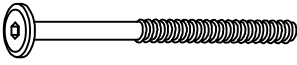



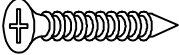
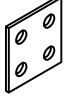

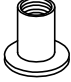


Detail View



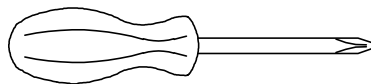
Part list

<p>1</p> 	<p>2</p> 	<p>3</p> 
<p>Bed legs - 1pc</p>	<p>Bed legs - 1pc</p>	<p>Bed Frame - 1pc</p>
<p>4</p> 	<p>5</p> 	<p>6</p> 
<p>Panel - 2pcs</p>	<p>Crossbar - 2pcs</p>	<p>Panel - 2pcs</p>
<p>7</p> 	<p>8</p> 	<p>9</p> 
<p>Bed legs - 1pc</p>	<p>Bed legs - 1pc</p>	<p>Bed Frame - 1pc</p>
<p>10</p> 	<p>11</p> 	<p>12</p> 
<p>Frame brace - 2pcs</p>	<p>Bed Shoulder (L/R) - 2pcs</p>	<p>Bed Shoulder (L/R) - 2pcs</p>
<p>13</p> 	<p>14</p> 	<p>15</p> 
<p>Shoulder support legs - 2pcs</p>	<p>2-hole wooden bar - 6pcs</p>	<p>3-hole wooden bar - 4pcs</p>
<p>16</p>  <p>Shoulder support legs - 4pcs</p>		

Hardware list

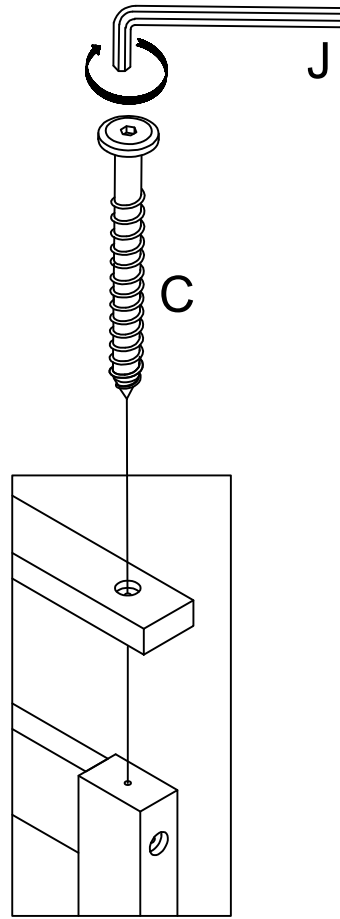
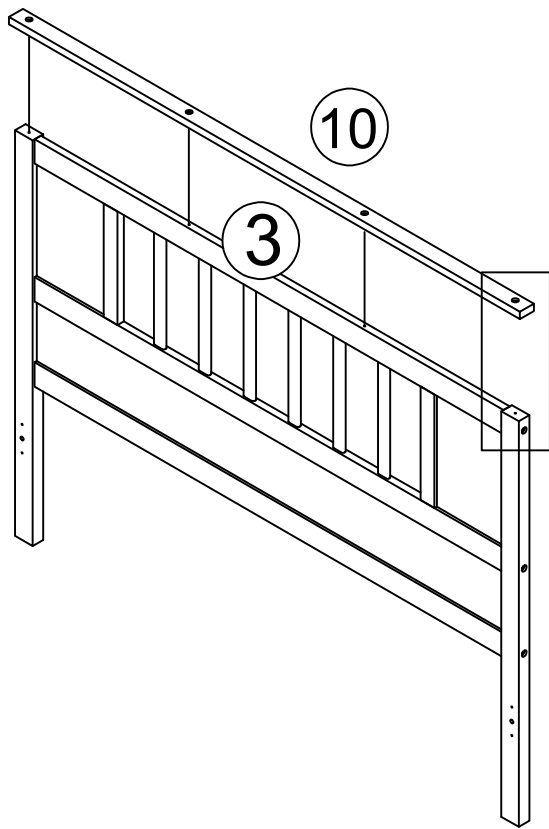
<p>A</p>  <p>Ø1/4"*100mm</p> <p>Hex-Head bolt - (12pcs)</p>	<p>B</p>  <p>Ø1/4"*80mm</p> <p>Hex-Head bolt - (8pcs)</p>	<p>C</p>  <p>Ø6*40mm</p> <p>Hex-Head screw (8pcs)</p>
<p>D</p>  <p>Ø1/4"*9.5*12mm</p> <p>Horizontal-Hole bolt - (20pcs)</p>	<p>E</p>  <p>#4*30mm</p> <p>Screw (20pcs)</p>	<p>F</p>  <p>3x80x60mm</p> <p>Pass - 2pcs</p>
<p>G</p>  <p>Ø1/4" x 35mm</p> <p>Hex-Head bolts (12pcs)</p>	<p>H</p>  <p>Ø1/4"</p> <p>Wood screws (8pcs)</p>	<p>I</p>  <p>Ø10*30mm</p> <p>Wood dowel - (6pcs)</p>
<p>J</p>  <p>K4mm</p> <p>Allen key (1pc)</p>		

ASSEMBLY TOOLS REQUIRED (NOT INCLUDED)



**PLEASE BE CAREFUL DO NOT DAMAGE THE HOLE
POSITION WHEN YOU USE POWER TOOLS !**

Step 3

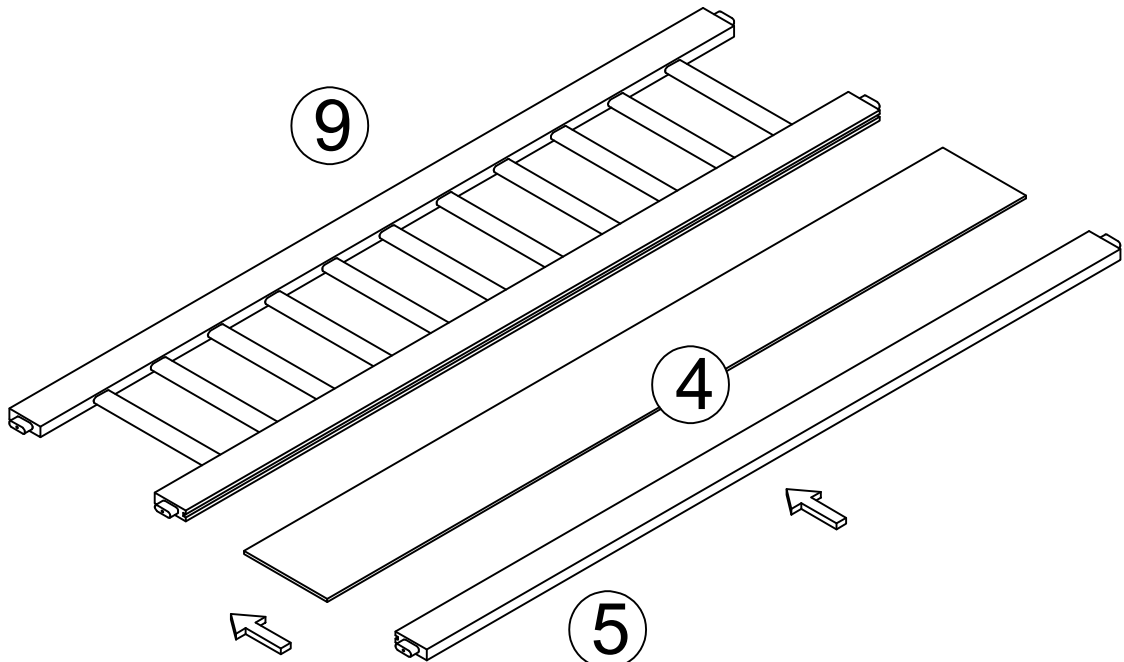


C





4 PCS

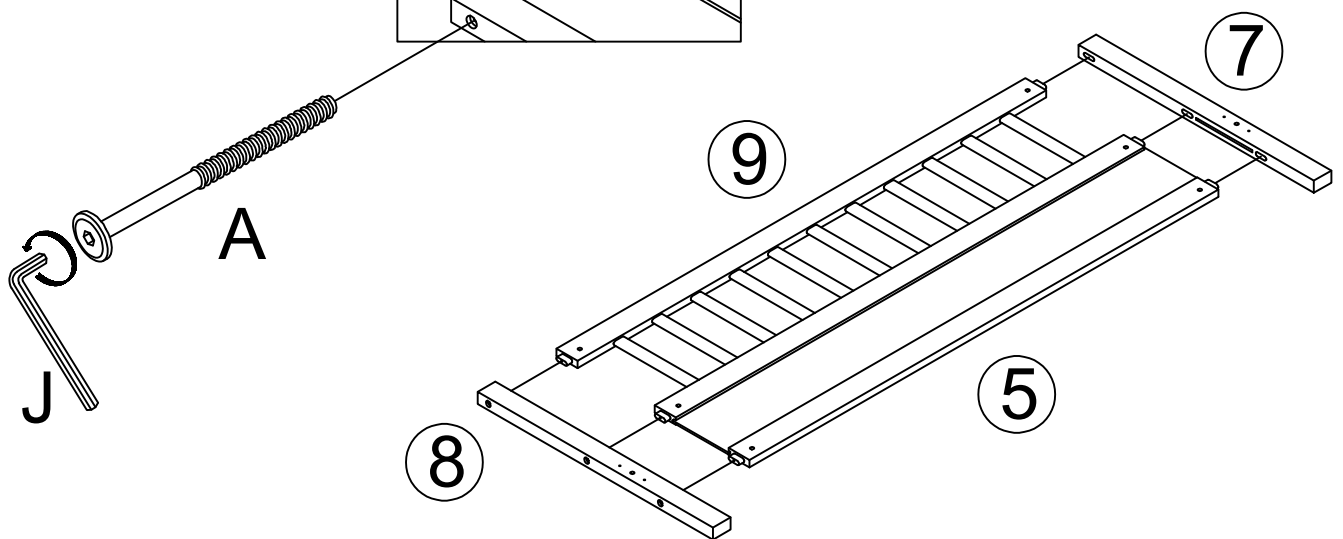
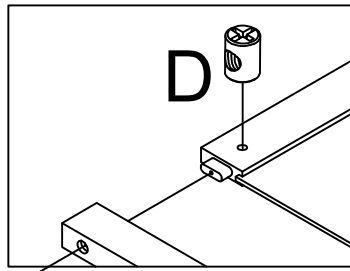
Step 4




6

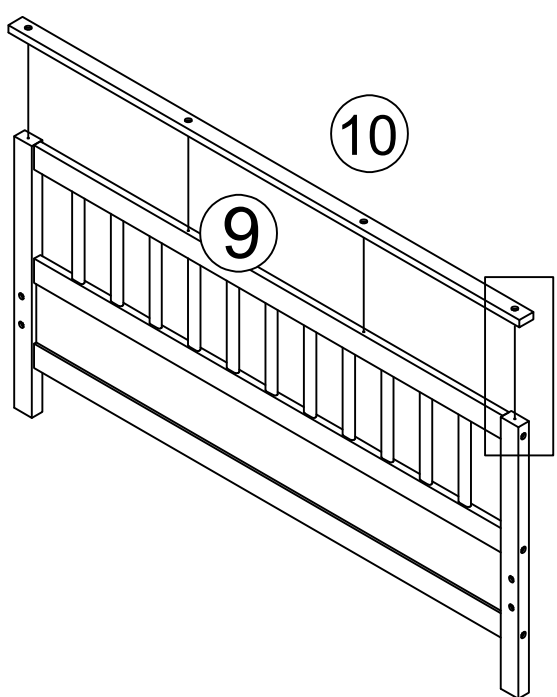
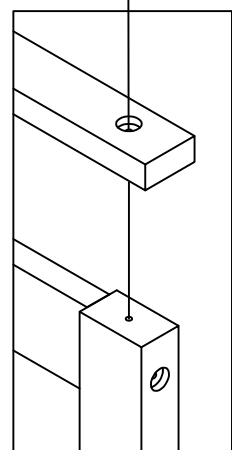
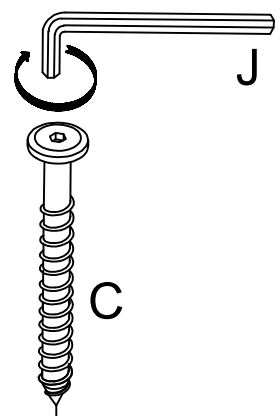
Step 5

A		D	
6 PCS		6 PCS	

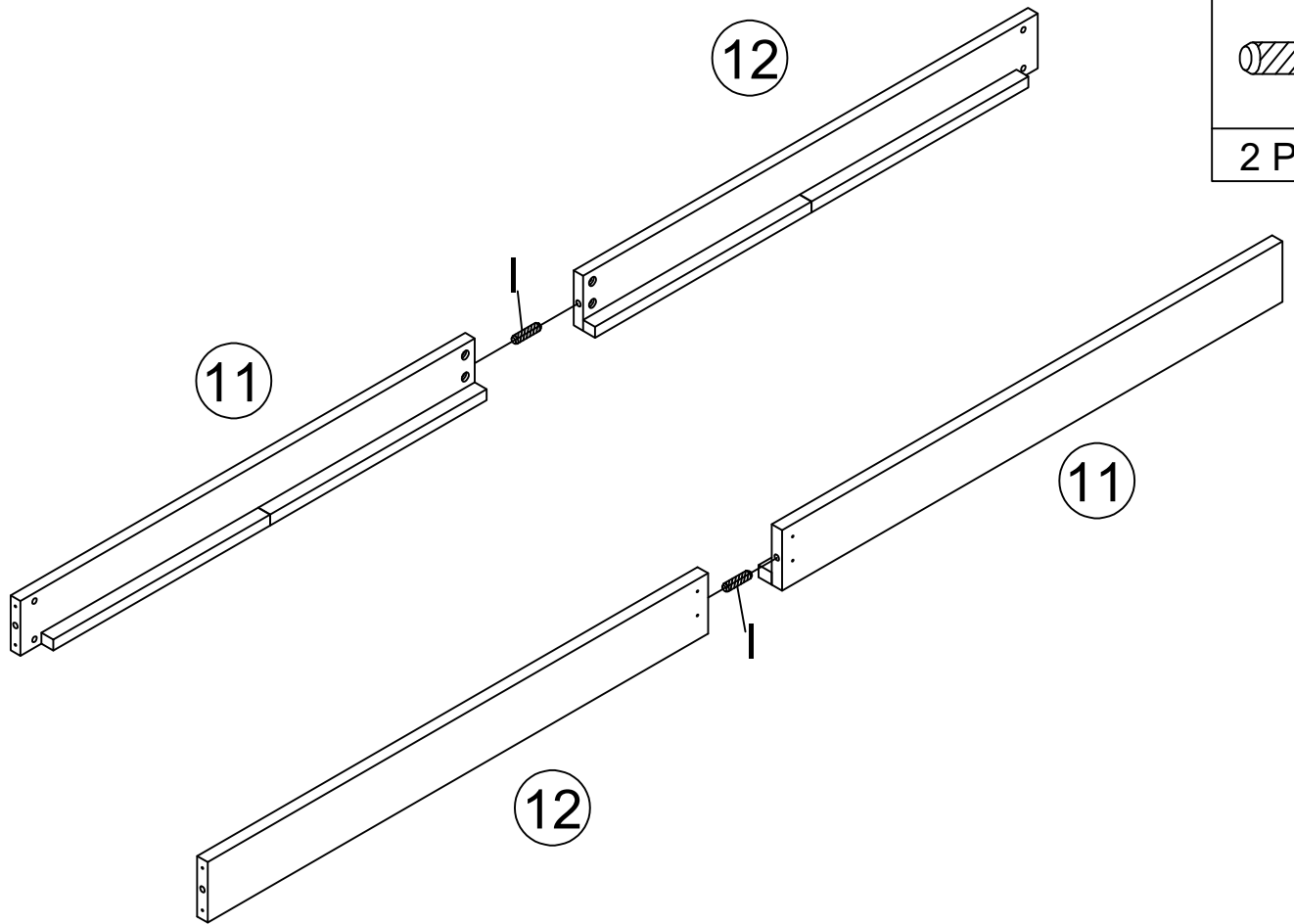


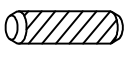
Step 6

C	
4 PCS	

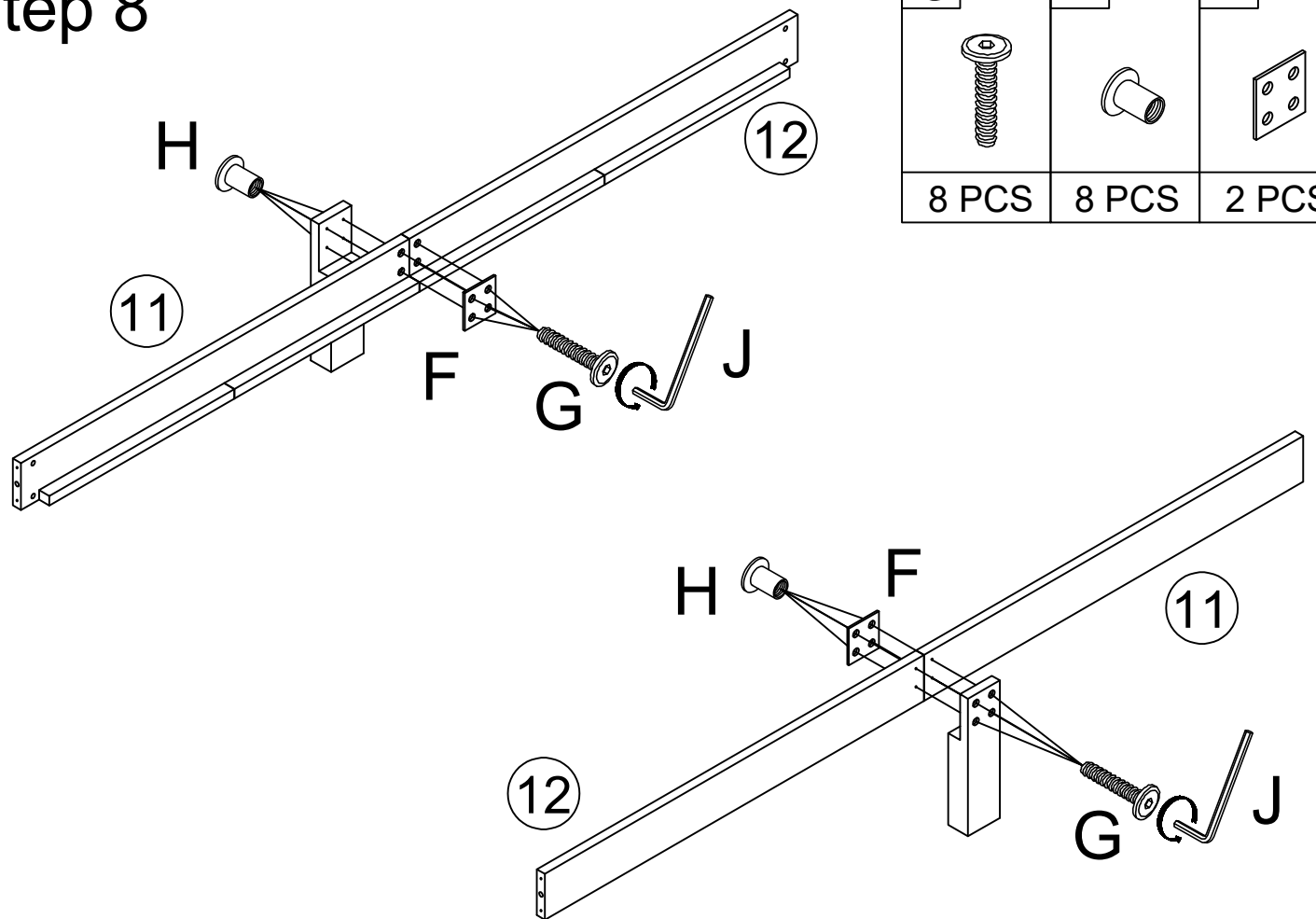


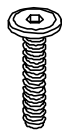

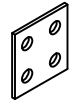
Step 7



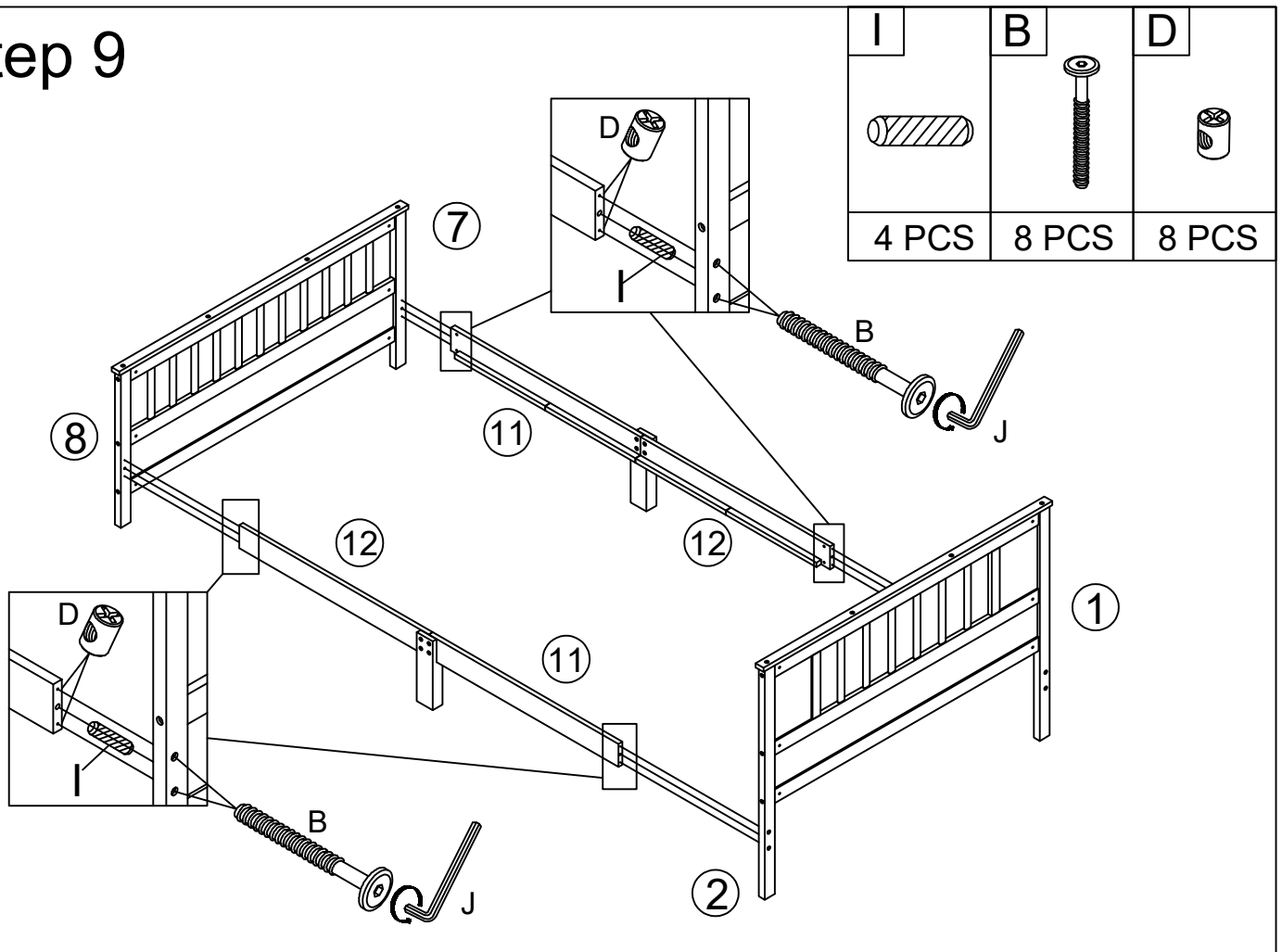
I

2 PCS

Step 8

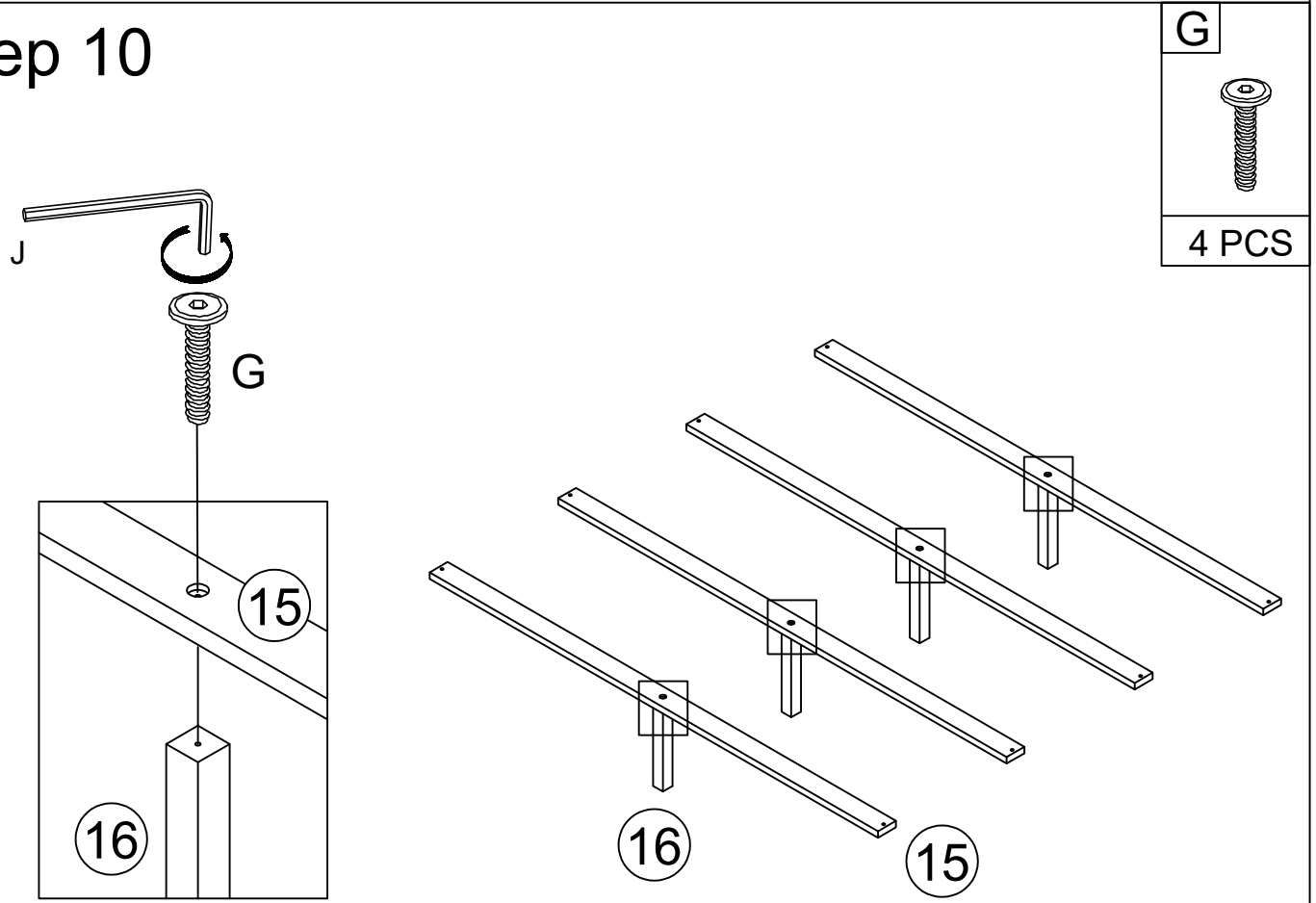


G	H	F
		
8 PCS	8 PCS	2 PCS

Step 9



Step 10

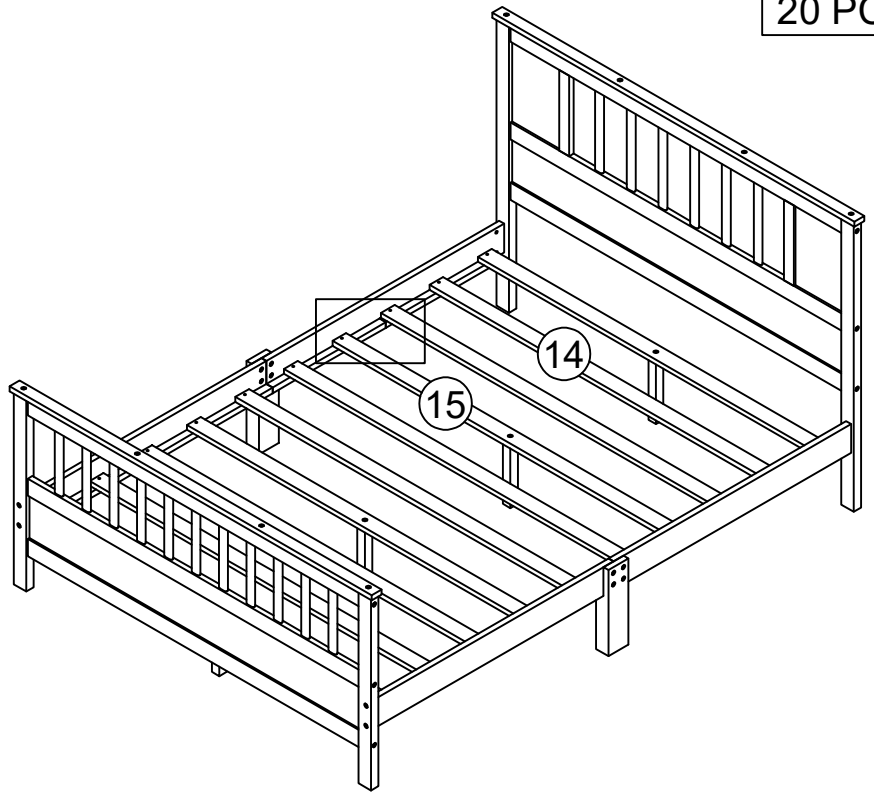
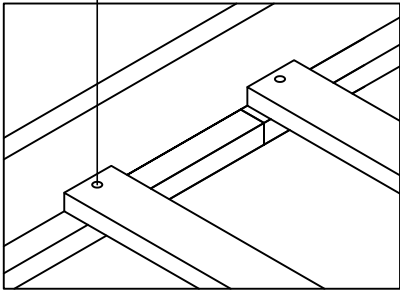
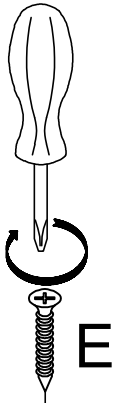


Step 11

E



20 PCS



COMPLETED

