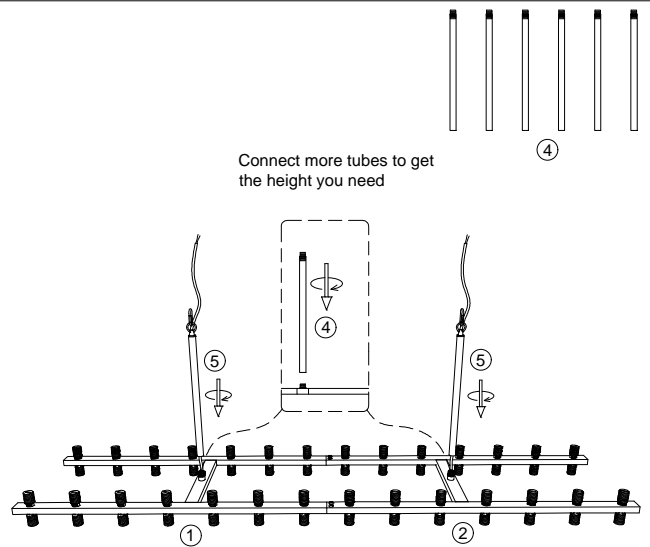
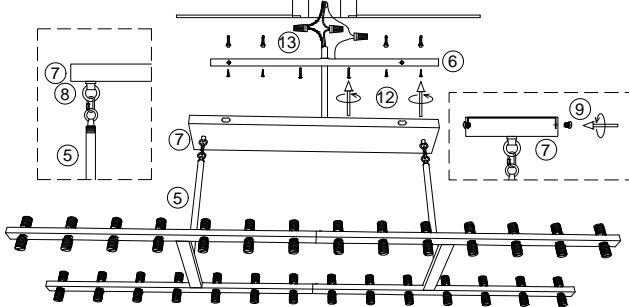


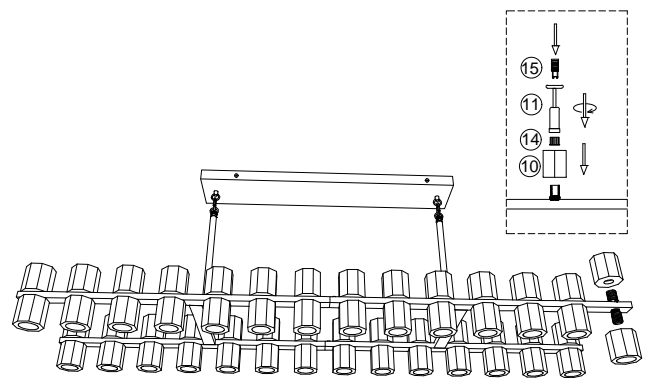
1. Install fixture ① and fixture ② together with screw ③.



2. Let the wire go through the tube ④ and tube ⑤, rotate to fix the tubes to the fixture. (connect more tubes to get the height you need)



3. Install the bracket to the ceiling junction box with screw ⑫.
 4. Connect the wire to your home line with cap connector ⑬.
 5. Install the fixture to the bracket with screw ⑨.



6. Use tool ⑪ to install the socket ring ⑭ and crystal lampshade ⑩ to the bulb holder, install the bulb ⑮.

Please read carefully before installation!!!

Note : Please make sure that the electricity is powered off during installation !

Only a professional electrician should install this kind of product !