



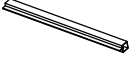
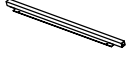





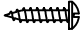

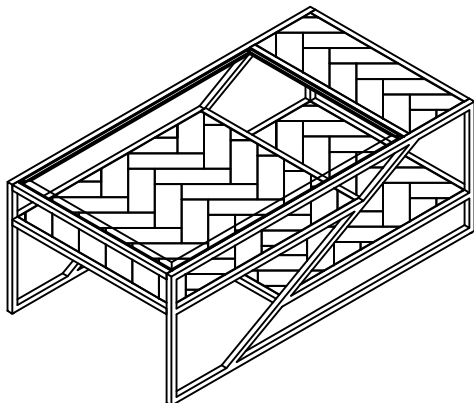


ASSEMBLY INSTRUCTION

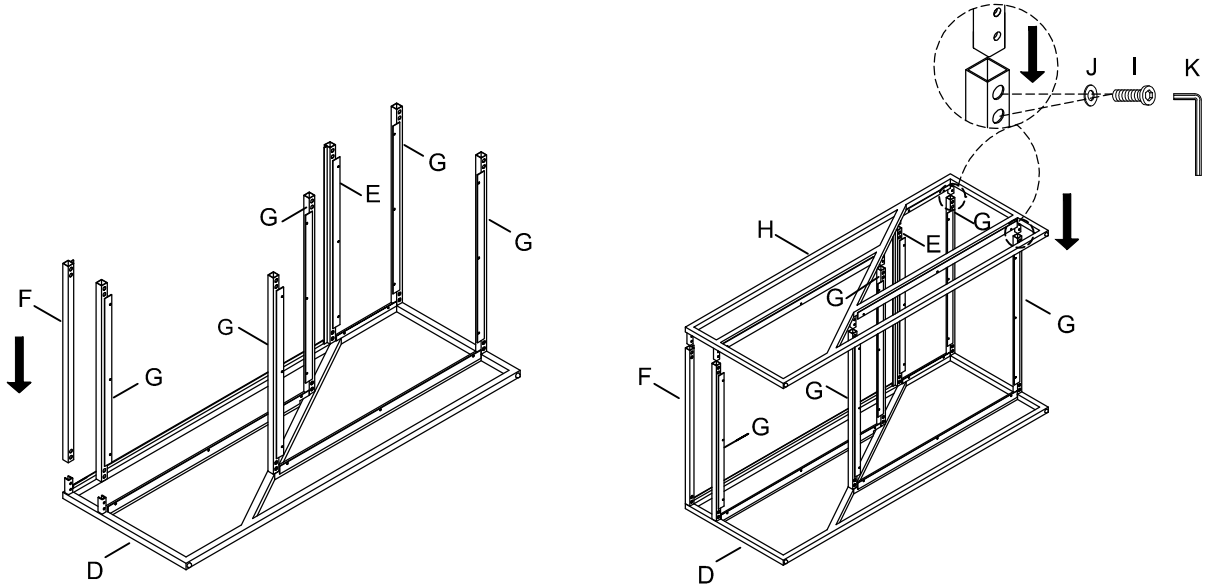
COCKTAIL TABLE WITH PARQUET WOOD SHELF

A Top Wood Panel  1PC	B Glass Insert  1PC	C Middle & Bottom Wood Panel  2PCS	D Left Metal Frame  1PC
E Metal Rail E 24-1/2" x 1-7/8"  1PC	F Metal Rail F 24-1/2" x 1-1/4"  1PC	G Metal Rail G 24-1/2" x 1-3/8"  5PCS	H Right Metal Frame  1PC
I Bolt 1/4" x 5/8"  28PCS	J Flat Washer 1/4" x 16mm  28PCS	K Allen Wrench 4mm  1PC	L Pan Head Screw #8 x 5/8"  34PCS
M Pad  6PCS			

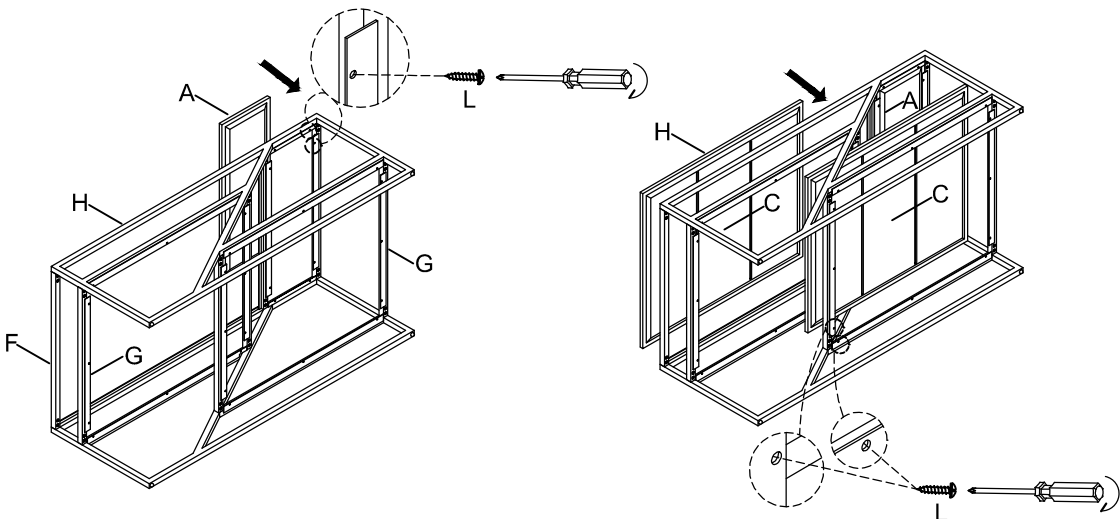


This page lists all the contents included in the box. Please take the time to identify the hardware as well as the individual components to this product. As you unpack and prepare for assembly, place the contents on a carpeted or padded area to protect them from damage.

- 1** Insert Metal Rail (E), Metal Rail (F) and Metal Rail (G) to Left Metal Frame (D) and Right Metal Frame (H), then attach them together by using Bolt (I), Flat Washer (J) and Allen Wrench (K).

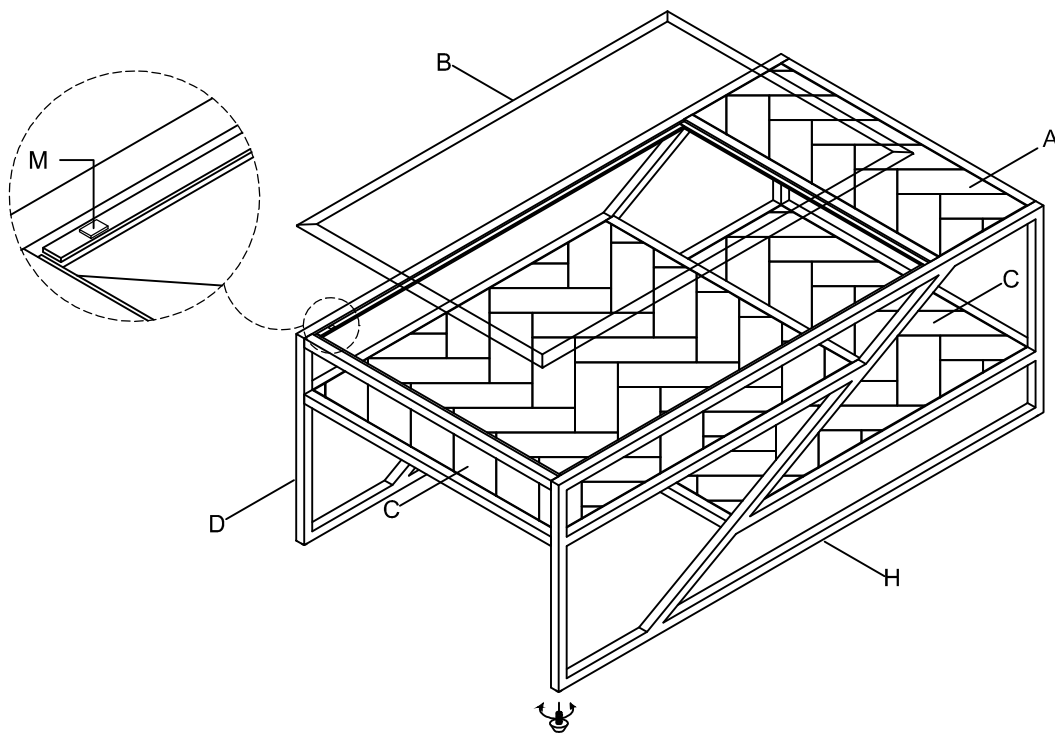


- 2** Attach Top Wood Panel (A) to the top of assembled metal frame with Pan Head Screw (L) and screwdriver (not provided), and use the same way to attach Middle & Bottom Wood Panel (C) to assembled metal frame.



Screwdriver required. (Not provided.)

-
- 3** Stand the assembled metal frame up. Make Pad (M) stick on the top of Left Metal Frame (D) and Right Metal Frame (H), and put the Glass Insert (B) on it. Then adjust the Pre-installed Levelers at the bottom of Left Metal Frame (D) and Right Metal Frame (H) until the Cocktail Table is level with the ground.



Adjust the Pre-installed Levelers height to achieve balance.

Cleaning & Care

Treat surface with care. Surface is resistant to scratches but is not scratch resistant. Clean surfaces with a dry or damp soft cloth. Do not use abrasive cleaners. Hardware may loosen over time. Periodically check that all connections are tight.