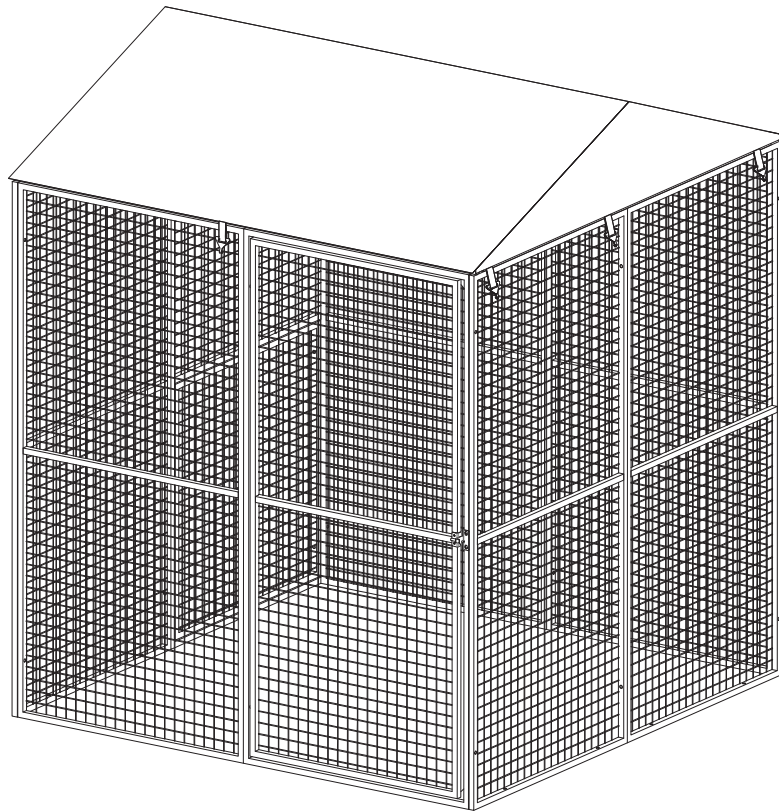


Multi Functional Enclosure with Cover

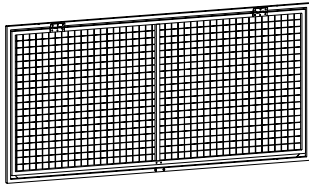


ASSEMBLY MANUAL

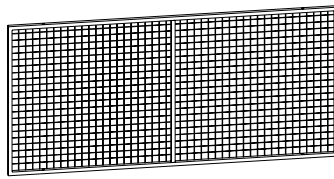


TOOLS REQUIRED FOR ASSEMBLY
(not included)

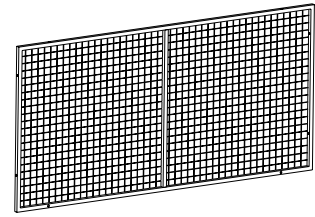
PARTS LIST



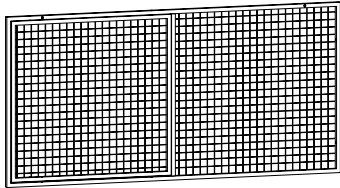
① Door Panel -1 pc



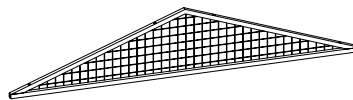
② Side Panel 1 -3 pcs



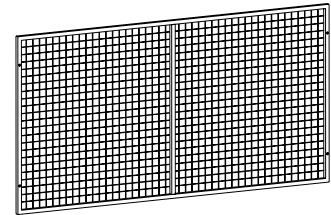
③ Side Panel 2 -3 pcs



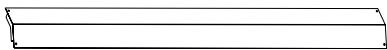
④ Side Panel 3 -1 pc



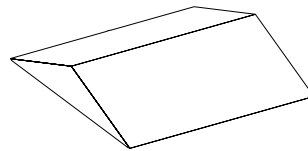
⑤ Triangle Panel -2 pcs



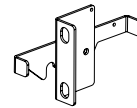
⑥ Roof Panel -2 pcs



⑦ Roof Ridge Cover -1 pc



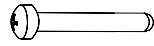
⑧ Canopy -1 pc



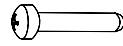
⑨ Door Latch -1 pc



⑩
M6 Nut
18 pcs



⑪
M6x60 Bolt
1 pc



⑫
M6x45 Bolt
15 pcs



⑬
M6x30 Bolt
18 pcs

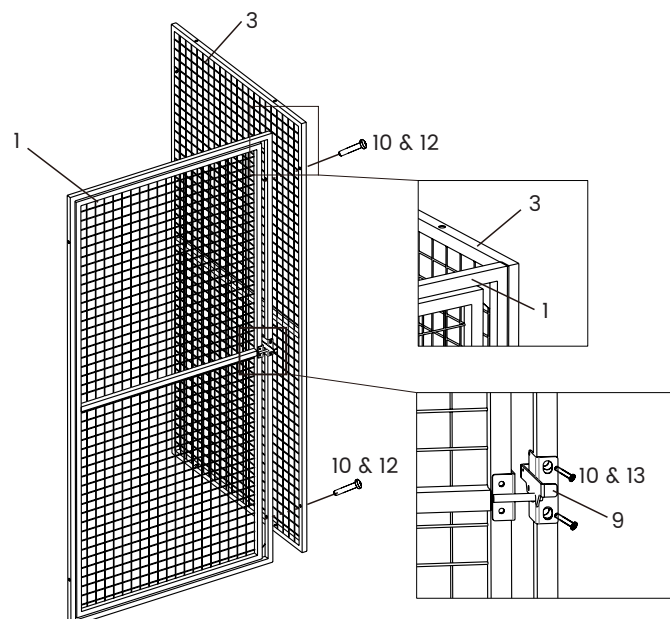


⑭
Shelf-tapping
Screw 4.2x13 -4 pcs

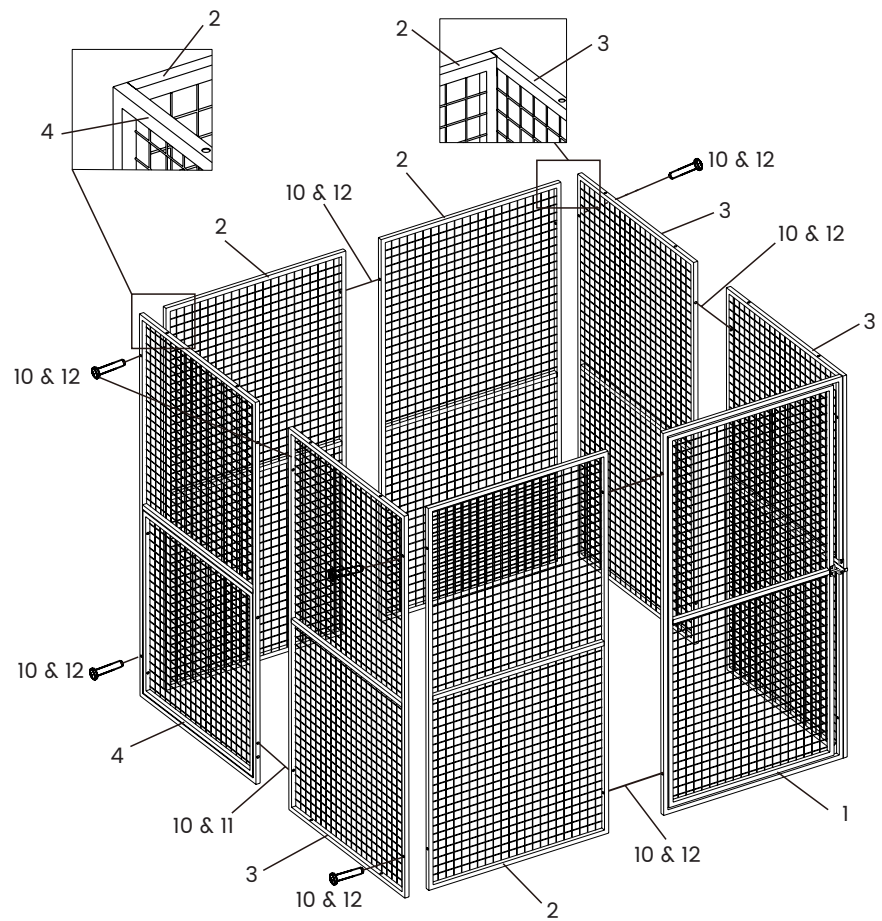
ASSEMBLY

STEP 1 ►

- Install the door latch (#9) on the Door Panel (#1) using the pre-drilled holes and two Bolts (#13) and Nuts (#10).
- Connect Door Panel (#1) and Side Panel 1 (#2) together with two Bolts (#12) and Nuts (#10).

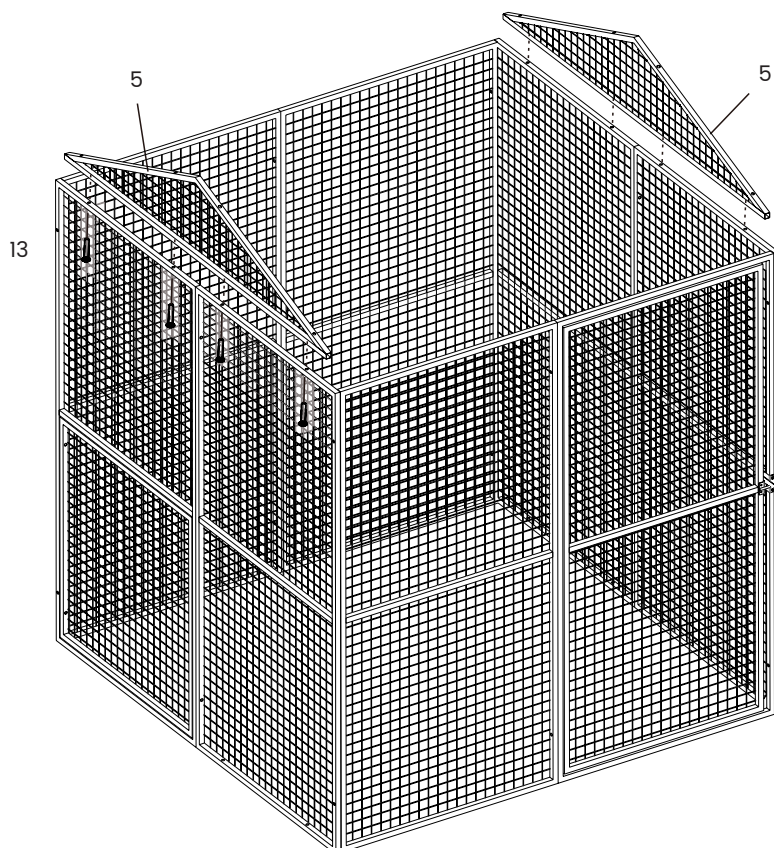


ASSEMBLY



STEP 2 ▶

- Assemble Panels #3, #2, and #4 in the order shown in the diagram, using Bolts (#12) & Nuts (#10) and Bolt #11.
- Please keep in mind that the long Bolt #11 must be used between two Panels (#4), bottom part.



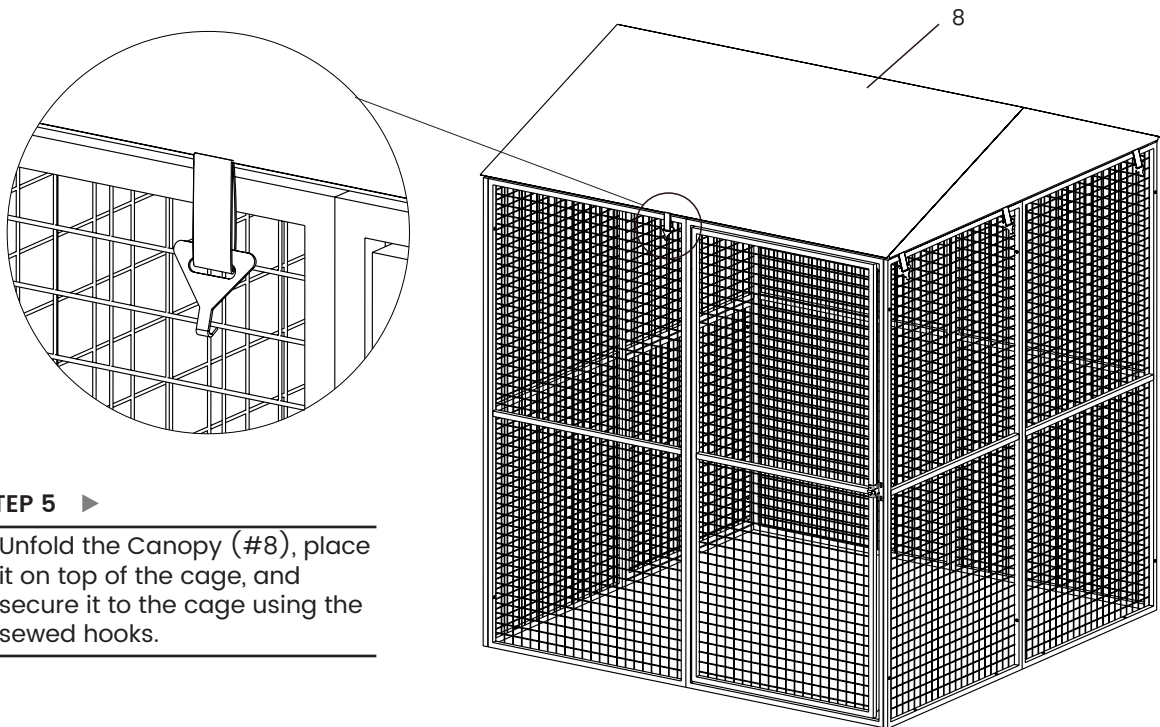
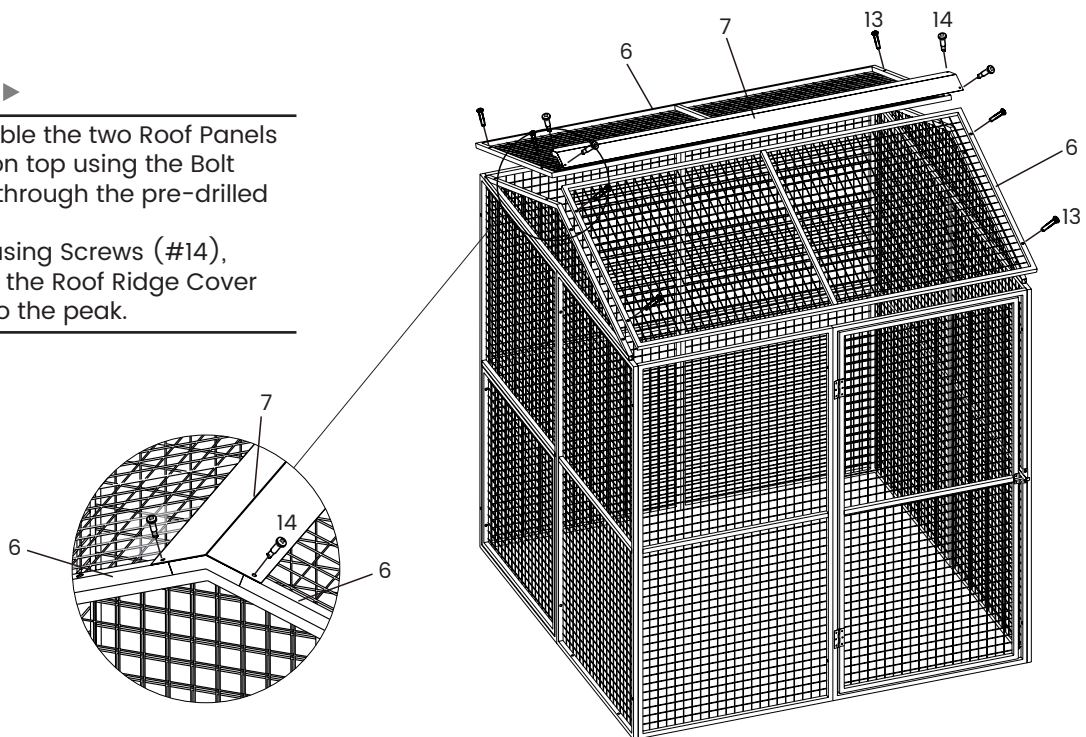
STEP 3 ◀

- Following the diagram below, use Bolt (#13) to attach the two Triangle Panels (#5) on top of the constructed frame.

ASSEMBLY

STEP 4 ►

- Assemble the two Roof Panels (#6) on top using the Bolt (#13) through the pre-drilled holes.
- Then, using Screws (#14), secure the Roof Ridge Cover (#7) to the peak.



STEP 5 ►

- Unfold the Canopy (#8), place it on top of the cage, and secure it to the cage using the sewed hooks.

The assembly is now complete.