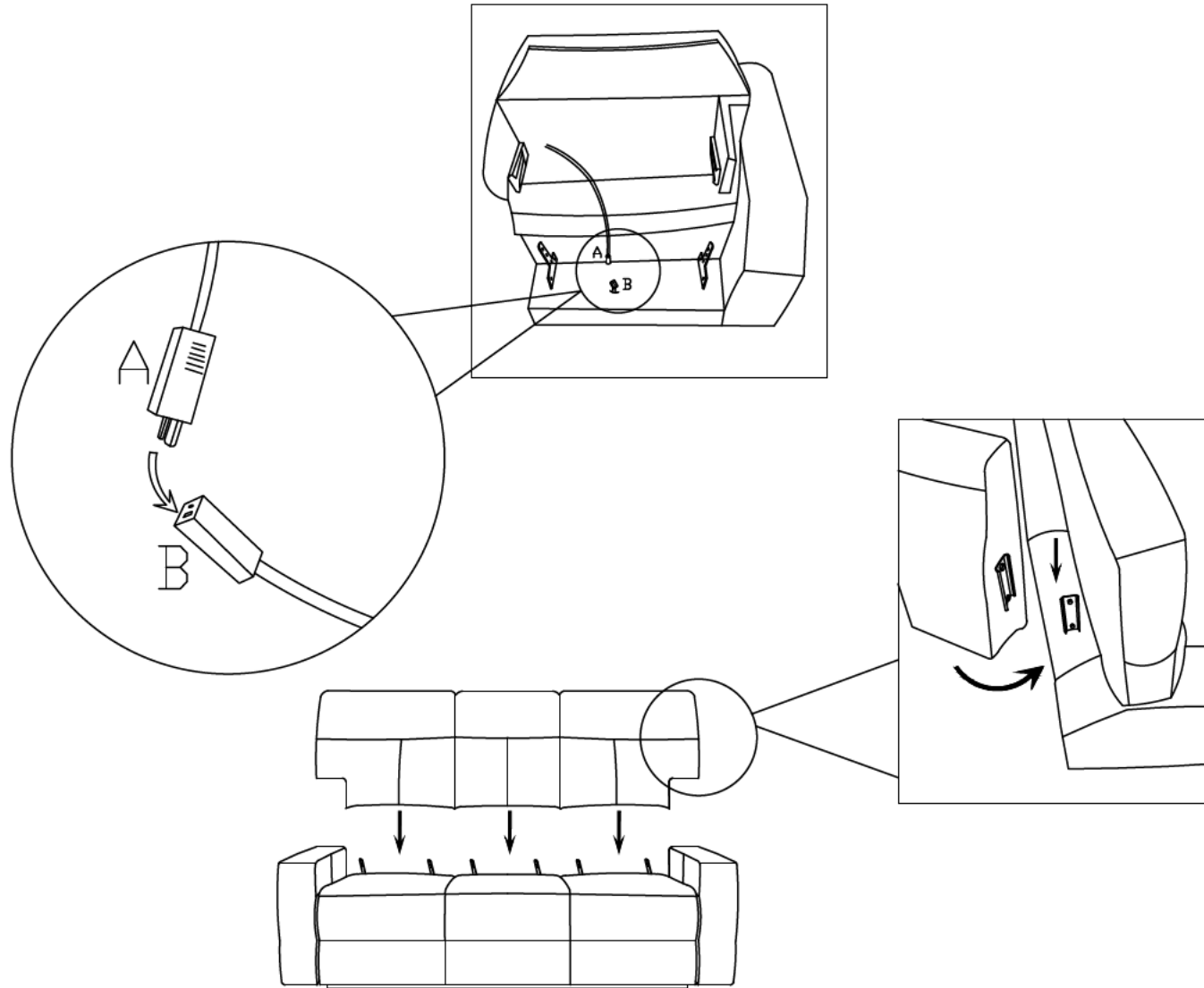


ASSEMBLY PICTURE

ASSEMBLY INSTRUCTIONS



Carefully unpack all the parts before attempting to assemble.

Step One: insert metal brackets into the clips on the side of back cushion. Then push the top of back cushion downward until you hear the the sound of "click"

Step Two: stretch and adhere the cover of back cushion to the seat frame. So assembly finished.

Step three: Open the recliner

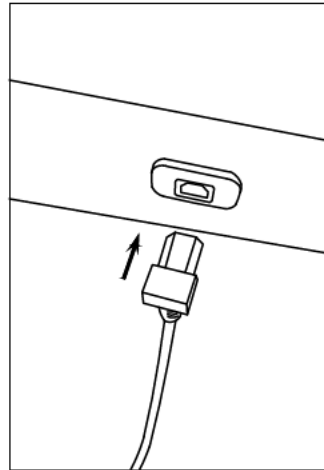
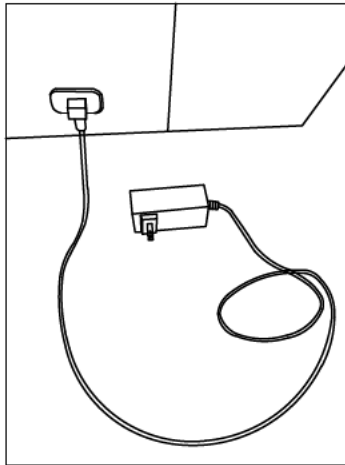
With two pairs of white gloves and blue plastic shoe's covers

ASSEMBLY PICTURE

www.Abbyson.com

Questions Contact ABBYSON LIVING CUSTOMER SERVICE AT TOLL FREE 1-888-406-0838

ASSEMBLY INSTRUCTIONS

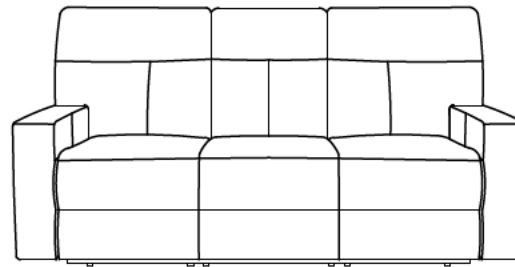
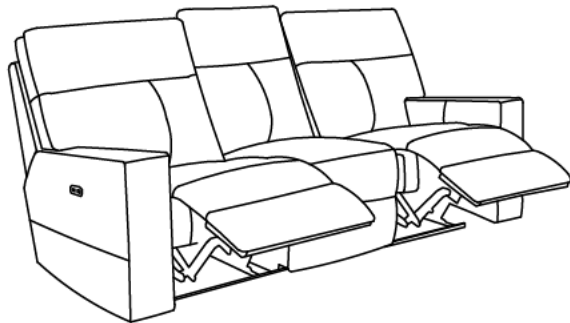


Carefully unpack all the parts before attempting to assemble.

Step One: insert metal brackets into the clips on the side of back cushion. Then push the top of back cushion downward until you hear the the sound of "click"

Step Two: stretch and adhere the cover of back cushion to the seat frame. So assembly finished.

Step three: Open the recliner



With two pairs of white gloves and blue plastic shoe's covers