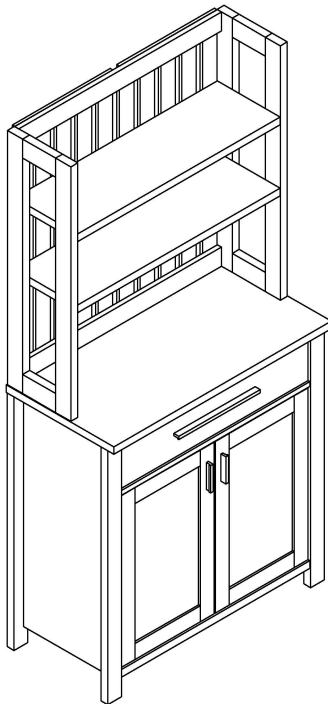


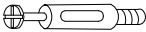

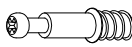





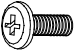
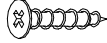
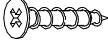
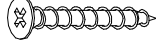
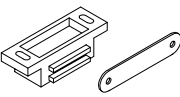

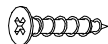
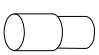

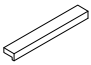
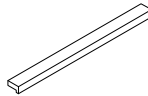




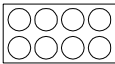
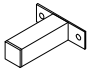



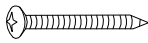
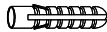
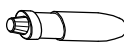
SAWYER WINE BAR CABINET



Assembly instructions

We have designed our furniture with you,space the customer mind. Our clear,space easy to follow. Step by step instructions will guide you through the project from start to fi ish. Feel confident that this will be a fun and rewarding project .The final product will be a quality plects of furniture that will go together smoothly and give years of enjoyment.

Hardware List

A  L29 Large Cambolt(30pcs)	B  Ø15 Large Camlock(30pcs)	C  L20 Small Cambolt(4pcs)	D  Ø12 Small Camlock(4pcs)
E  Ø8x25 Short Dowel(13pcs)	F  Ø6x30 Long Dowel(2pcs)	G  Ø7x48 Wood Screw (4pcs)	H  Ø8xØ16X2 Washer (4pcs)
I  M6x12 Flathead Screw (2pcs)	J  Ø4x20 Middle Screw (28pcs)	K  Ø4x30 Large Screw (6pcs)	L  Ø4x40 Extra Large Screw (4pcs)
M  Door Catch(2pcs)	N  Ø3x14 Extra Small Screw (4pcs)	O  Ø3x16 Small Screw (4pcs)	P  Ø5 Shelf Pin (8pcs)
Q  Door Pin (2pcs)	R  C64 Short Handle (2pcs)	S  C256 Long Handle (1pc)	T  M4x22 Small Handle Screw (2pcs)
U  M4x25 Large Handle Screw (4pcs)	V  Nail (26pcs)	W  Ø16 Foot Pin (4pcs)	X  Ø22 Sticker (18pcs)
Y  80x25XH60 Metal Leg (1PC)	Z  197x5x1 ANTI-TIP Strap (1pc)	A 1  12x12x1 Bracket (2pcs)	A 2  Ø4x25 Flathead Screw (1pc)
A 3  Ø5x40 Wall Screw (1pc)	A 4  Ø8x40 Plastic Anchor (1pc)	A 5  Glue(1pc)	
		Glue: For securing please apply to wood dowel first before inserting into panel	

Please count and verify all parts before assembly.

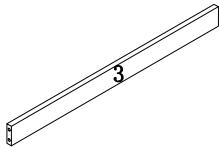
Panel List



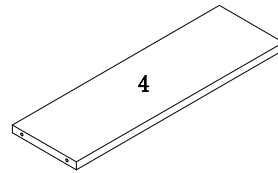
Left Frame(1pc)



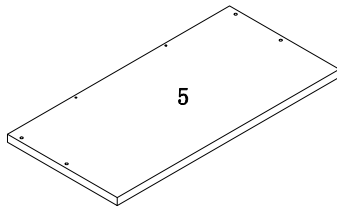
Right Frame(1pc)



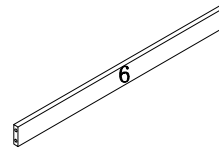
Top Crossbar(1pc)



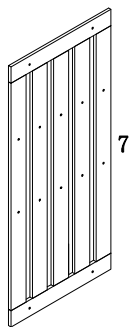
Top Shelf(2pcs)



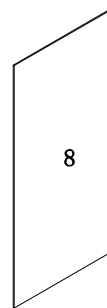
Top Panel(1pc)



Back crossbar(1pc)



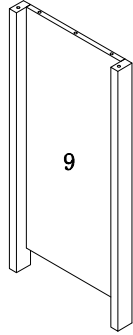
Back Frame(2pcs)



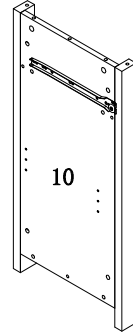
Back Panel(2pcs)

Please count and verify all parts before assembly.

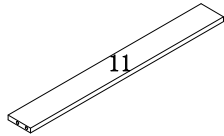
Panel List



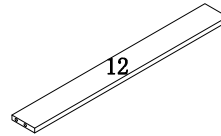
Left Side Panel(1pc)



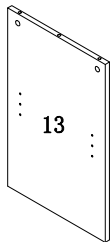
Right Side Panel(1pc)



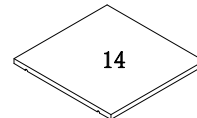
Rear Slat(1pc)



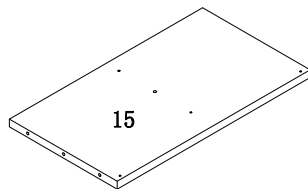
Front Slat(1pc)



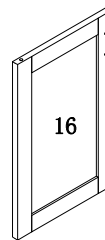
Divider Panel(1pc)



Adjustable Shelf(2pcs)



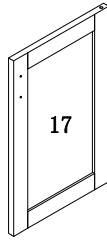
Bottom Panel(1pc)



Left Door(1pc)

Please count and verify all parts before assembly.

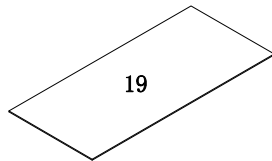
Panel List



Right Door(1pc)



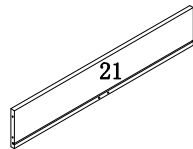
Left Drawer Side Panel(1pc)



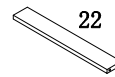
Drawer Bottom Panel(1pc)



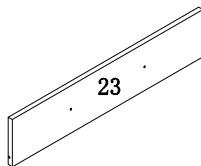
Right Drawer Side Panel(1pc)



Drawer Back Panel(1pc)



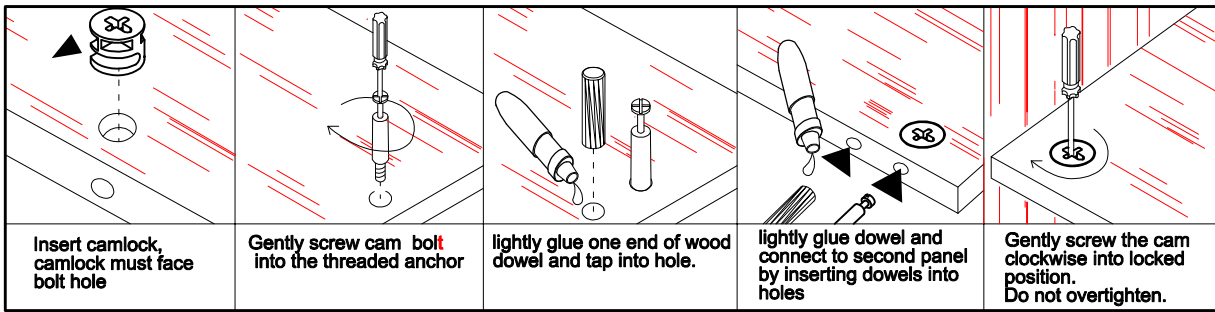
Drawer Bottom Support(1pc)



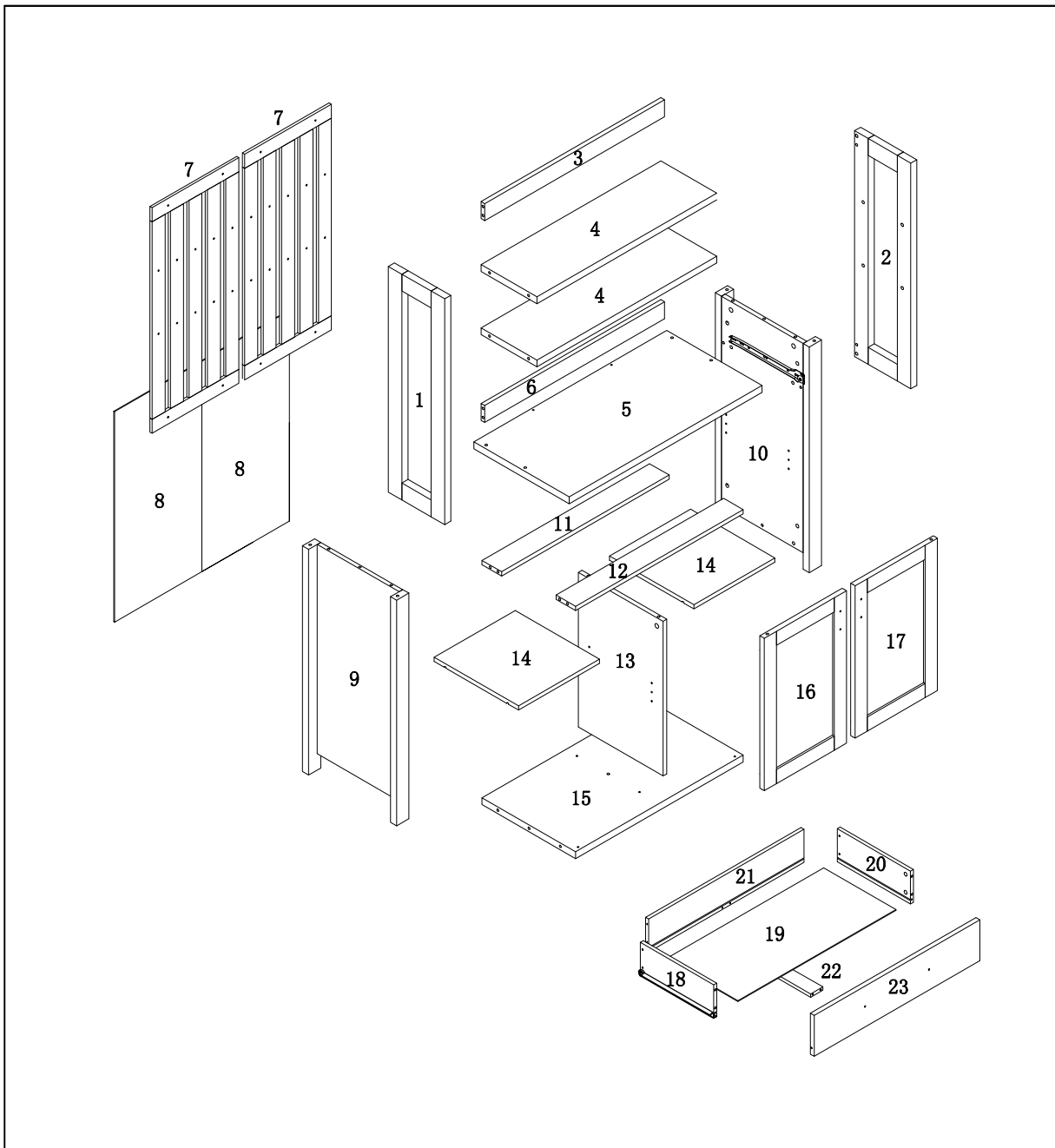
Drawer Front Panel(1pc)

Please count and verify all parts before assembly.

Assembling the unit with camlocks and wood dowels.



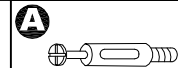
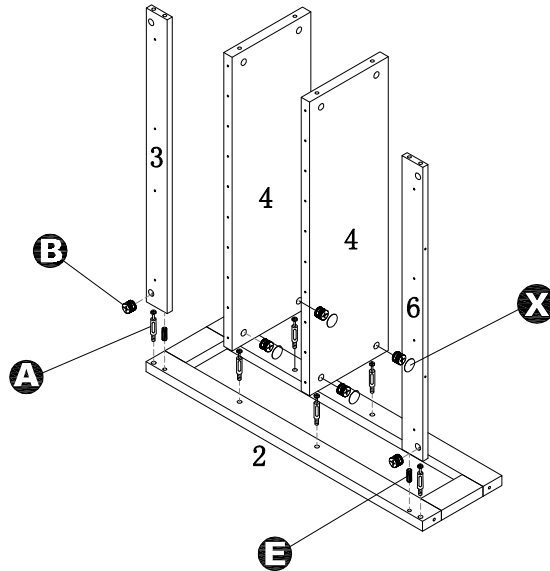
Exploded Views



Step 1

Note: * Place item on a smooth/soft surface such as a towel or carpet.

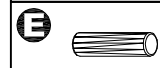
1. Screw Large cambolts(A) into right frame(2), insert short dowel(E) into right frame(2).
2. Attach top crossbar(3) , top shelves(4) ,back crossbar(6) assembly to right frame(2) using large camlocks(B) and gently tighten.
3. Place stickers(X) over holes.



x6



x6



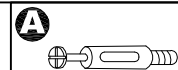
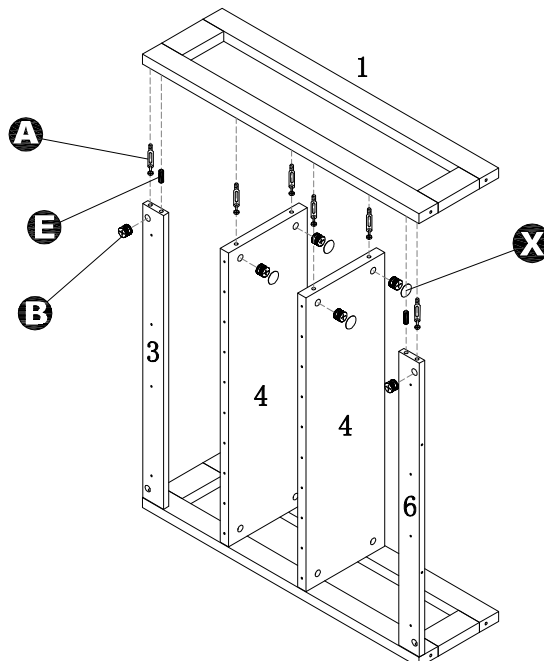
x2



x4

Step 2

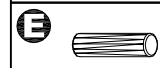
1. Screw Large cambolts(A) into left frame(1), insert short dowels(E) into left frame(1).
2. Attach top crossbar(3) , top shelves(4) ,back crossbar(6) assembly to left frame(2) using large camlocks(B) and gently tighten.
3. Place stickers(X) over holes.



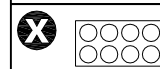
x6



x6



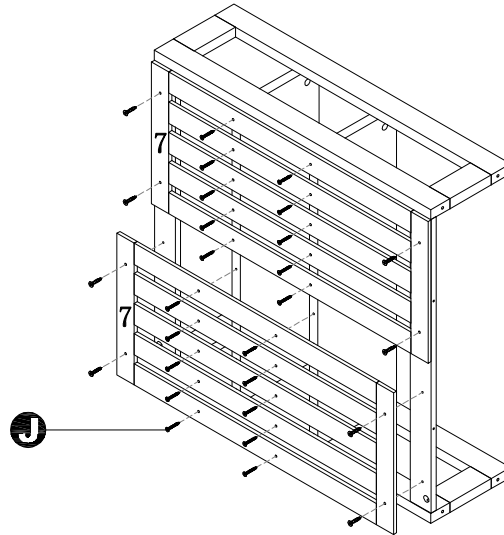
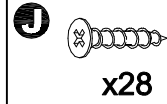
x2



x4

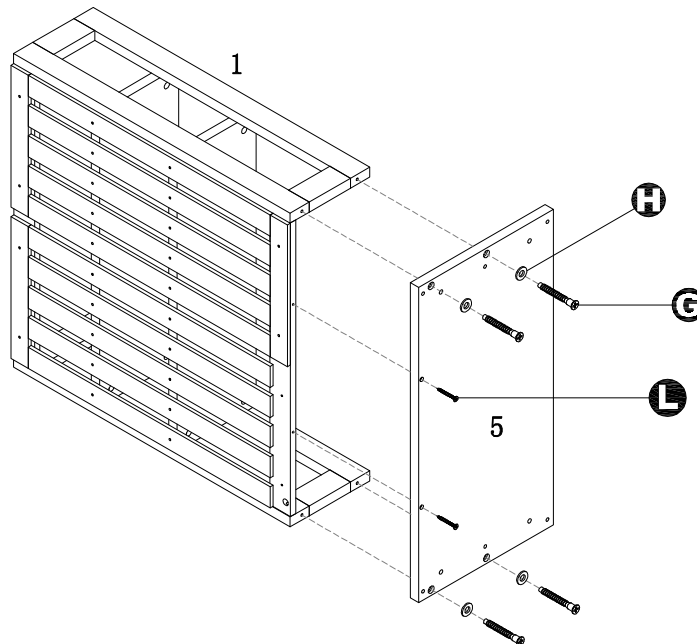
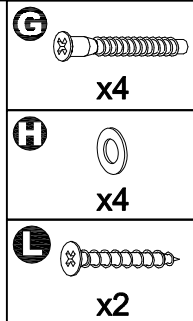
Step3

1. Attach back frames(7) assembly to top cabinet using middle screws(J) as shown.



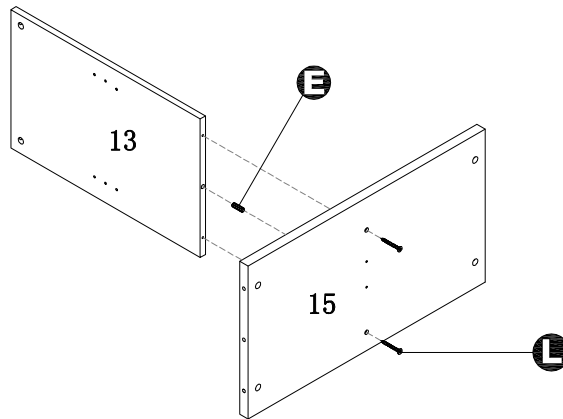
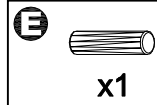
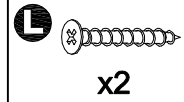
Step4

1. Attach top panel(5) assembly to top cabinet using washers(H) , wood screws(G) and extra large screws(L) as shown.



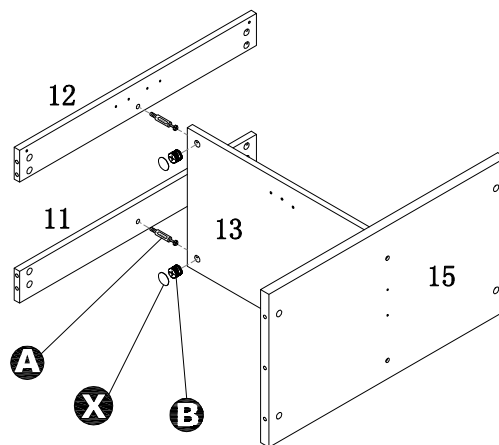
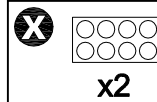
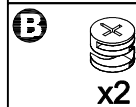
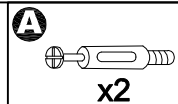
Step5

1. Insert short dowels(E) into divider panel(13).
2. Attach divider panel(13) assembly to bottom panel(15) using extra large screws(L)



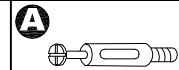
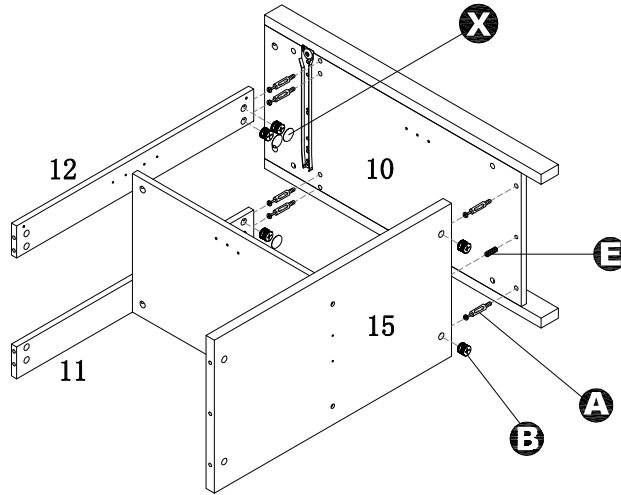
Step6

1. Screw Large cambolts(A) into rear slat(11),front slat(12).
2. Attach divider panel(13) assembly to rear slat(11),front slat(12) using large camlocks(B) and gently tighten.
3. Place stickers(X) over holes.



Step 7

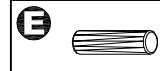
1. Screw Large cambolts(A) into right side panel(10), insert short dowel(E) into right side panel(10).
2. Attach right side panel(10) assembly to rear slat(11), front slat(12), bottom panel(15) using large camlocks(B) and gently tighten.
3. Place stickers(X) over holes.



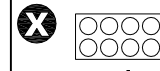
x6



x6



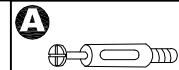
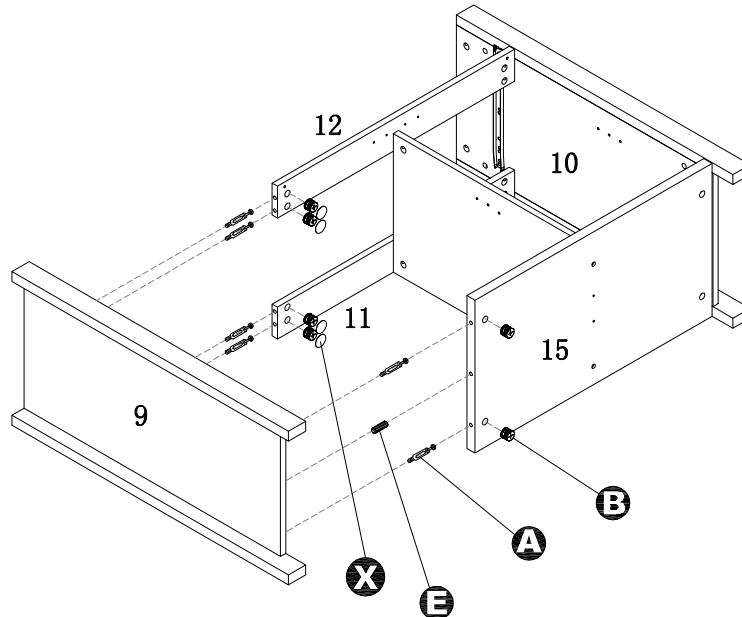
x1



x4

Step 8

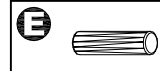
1. Screw Large cambolts(A) into left side panel(9), insert short dowel(E) into left side panel(9).
2. Attach left side panel(9) assembly to rear slat(11), front slat(12), bottom panel(15) using large camlocks(B) and gently tighten.
3. Place stickers(X) over holes.



x6



x6



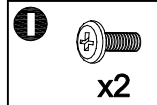
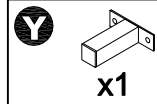
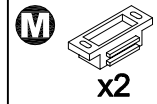
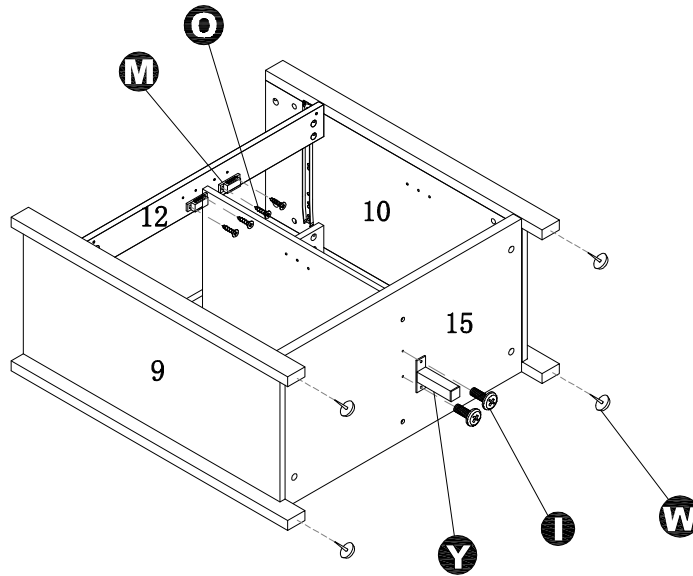
x1



x4

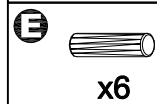
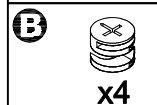
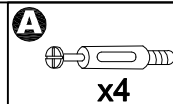
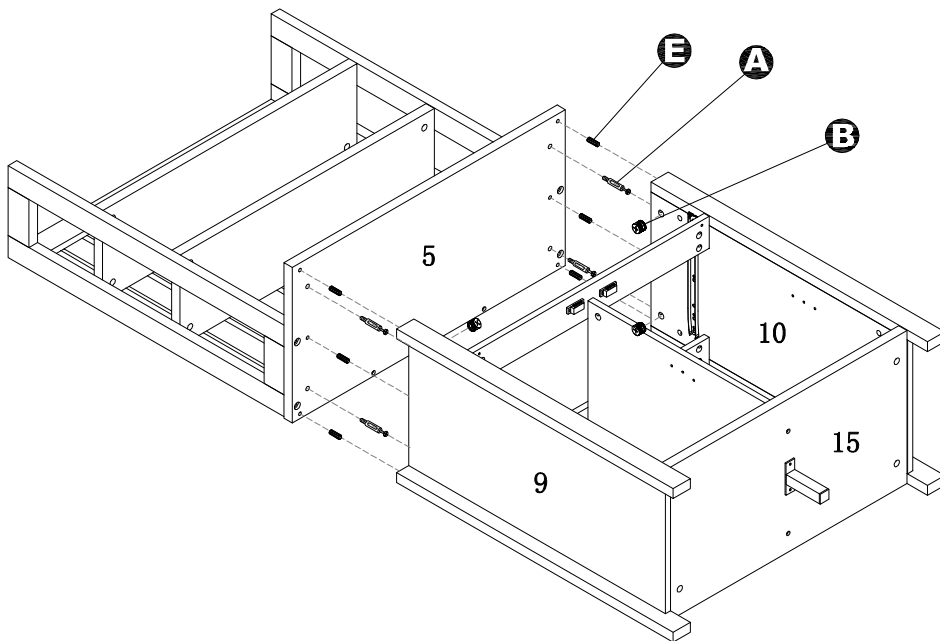
Step9

1. Attach door catch(M) assembly to front slat(12) using small screws(O).
2. Attach metal leg(Y) assembly to bottom panel using flathead screws(I).
3. Knock foot pins(W) onto legs as shown.



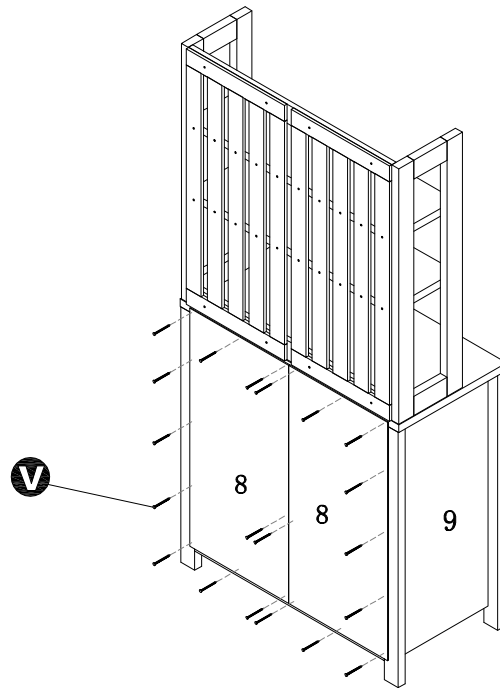
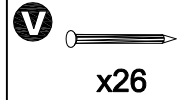
Step10

1. Screw Large cambolts(A) top panel(5), insert short dowel(E) into top panel(5).
2. Attach bottom cabinet to top cabinet using large camlocks(B) and gently tighten as shown.



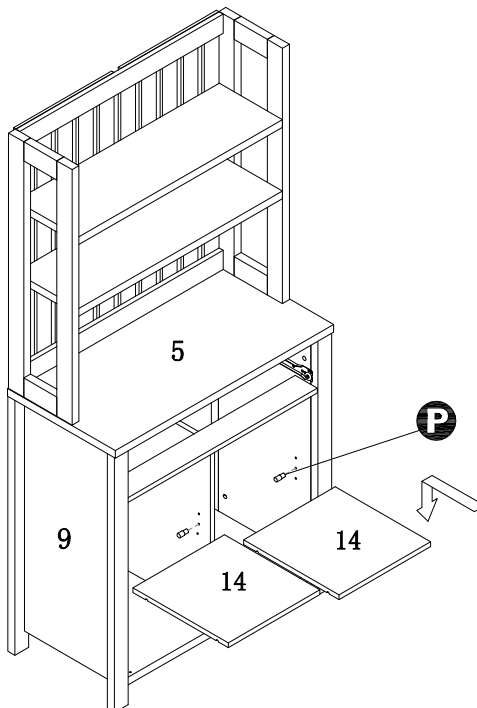
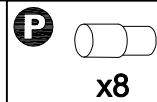
Step 11

1. Attach back panels(8) to cabinet body using nails(V) as shown.



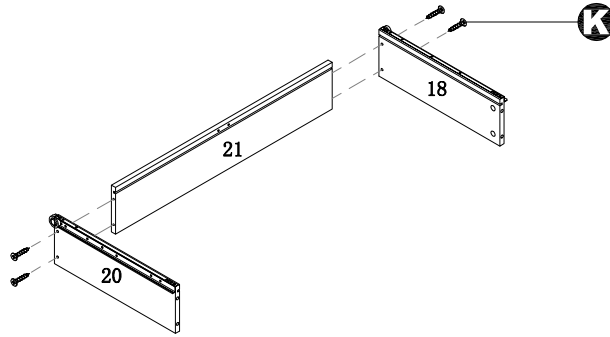
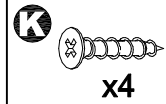
Step 12

1. Insert shelf pins(P) into left and right side panel(9,10).
2. Put adjustable shelves(14) onto shelf pins(P) as shown.



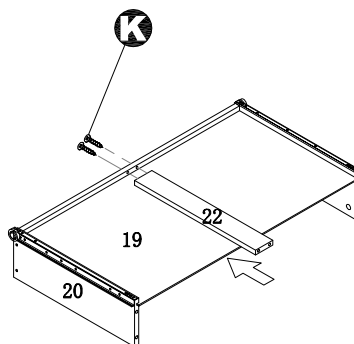
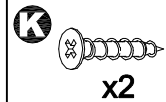
Step13

1. Attach left drawer side panel(20) and right drawer side panel(18) assembly to drawer back panel(21) using large screws(K).



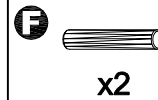
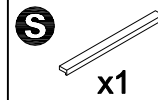
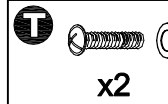
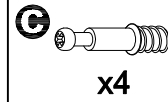
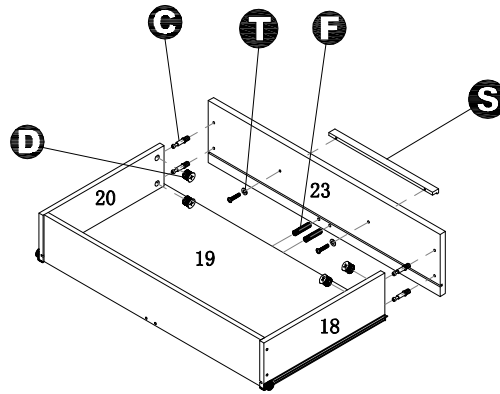
Step14

1. Attach drawer bottom support(22)assembly to drawer back panel(21) using large screws(K).



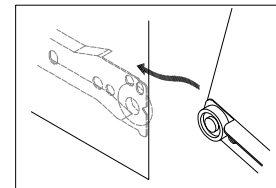
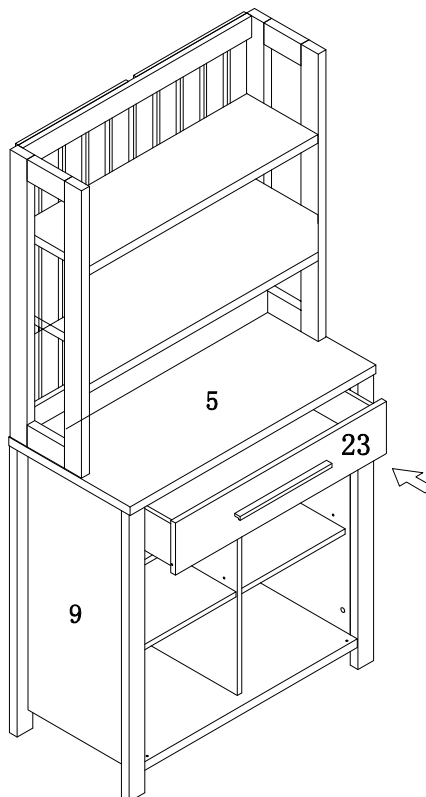
Step 15

1. Screw small cambolts(C) into drawer front panel(23), insert long dowels(F) into drawer front panel(23).
2. Attach drawer front panel(23) assembly to drawer box using small camlocks(D).
3. Attach long handle(S) assembly to drawer front panel(23) using small handle screws(T).



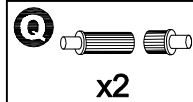
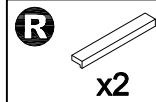
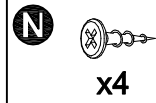
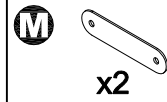
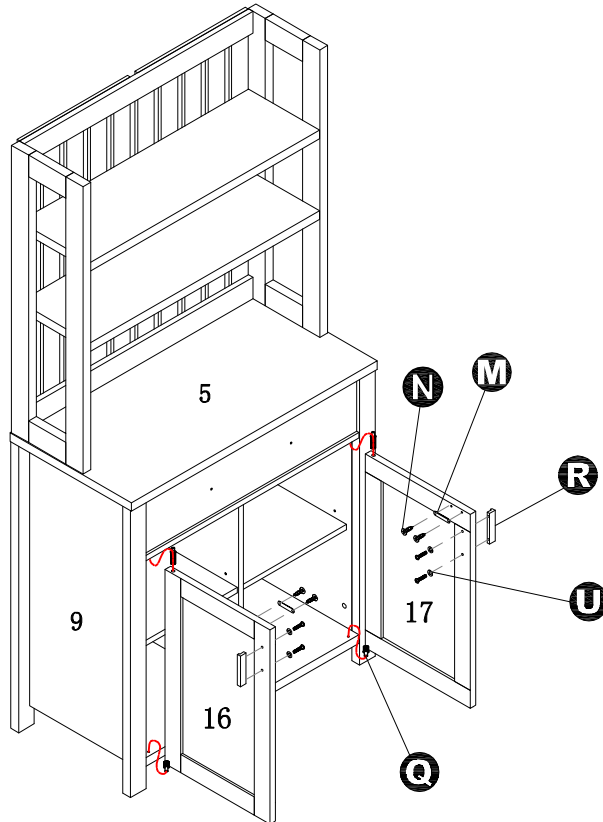
Step 16

1. Put drawer box into place as shown.



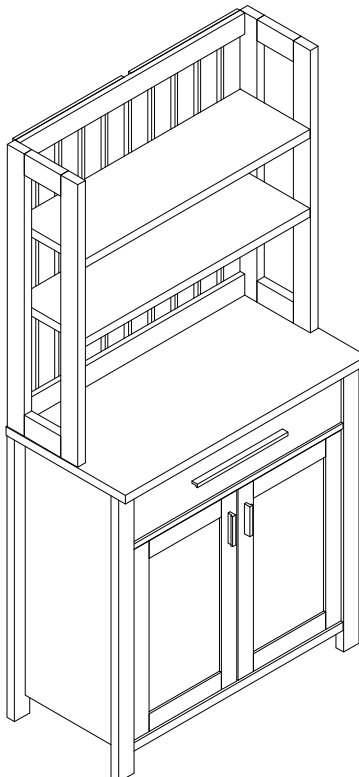
Step 17

1. Attach metal pieces(M) assembly to left and right door(16,17) using extra small screws(N).
2. Attach short handles(R) assembly to left and right door(16,17) using large handle screws(U).
3. Insert door pins(Q) into left and right door(16,17) and assembly to cabinet as shown.



Step 18

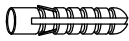
Enjoy Your Sawyer Wine Bar Cabinet!



ANTI-TIPPING STRAP INSTRUCTION

HARDWARE(INCLUDED):

TOOLS NEEDED (NOT INCLUDED):



DRYWALL ANCHOR Ø8x40 x 1PC



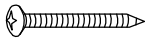
DRILL & DRILL BIT



METAL BRACKETS 12x12x1 x 2PCS



LIGHT HAMMER



DRYWALL SCREW Ø5x40 x 1PC



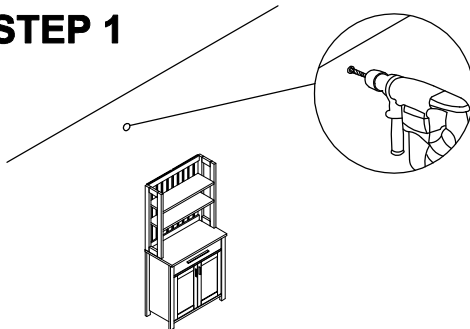
STRAP 197x5x1 x 1PC



FLATHEAD SCREW Ø4x25 x 1PC

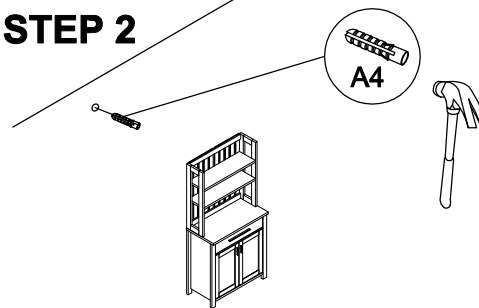
Note: Hardware included only compatible with standard drywalls.

STEP 1



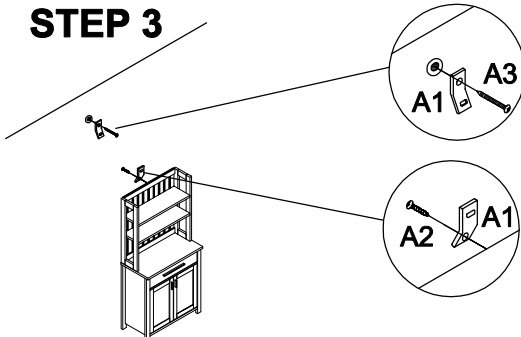
- 1.Find spot on wall 1" below top of item.
- 2.Using a drill bit slightly thinner than anchor ,drill hole into drywall.

STEP 2



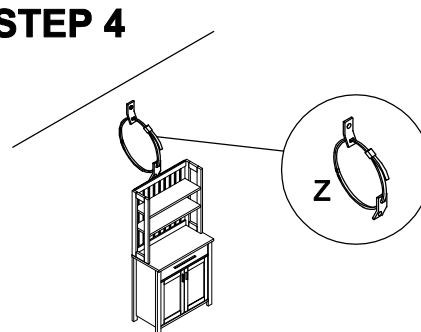
- 1.Use a light hammer to tap anchor into hole.
- 2.Anchor should fit snugly.If hole is too small, drill again to increase hole size .Do not force anchor into wall.

STEP 3



- 1.Insert drywall screw into metal bracket and into drywall anchor.
- 2.Insert flathead screw into second metal bracket and into back of item.along top edge.

STEP 4



- 1.Insert strap thru bracket attached to wall. then thru bracket on item , and into head of strap.
 - 2.pull lightly til strap stops.
- Assembly is complete.**