



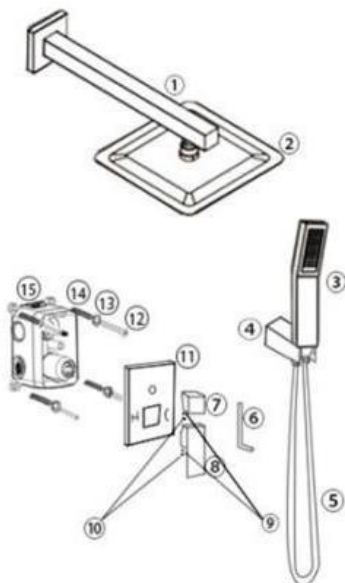
Importance before Installation

★Please read the following instructions carefully before installing the shower system.

★If you have questions after receiving the goods, please send us an email . We will reply with a satisfactory solution as soon as possible.

★To ensure the installation process is safe and fast, it's better if you hire an experienced plumber to complete the installation.

★ Before the installation, check the package according to the following contents. If there is any transportation damage, missing accessories, or other problem, please contact the seller on Amazon or other Platform.



1	shower arm	1PC	9	Hexagon screw	2PC
2	Shower head	1PC	10	Plastic cover	2PC
3	Hand shower head	1PC	11	Shower valve panel	1PC
4	Shower holder	1PC	12	Screws	4PC
5	Shower hose	1PC	13	Metal washer	4PC
6	Hexaon screw tool	1PC	14	Plastic screw sleeve	4PC
7	Shower valve knob	1PC	15	Shower valve body	1PC
8	Shower valve handle	1PC	16	Installation instructions	1PC

★Thank you for your purchase and support, Your satisfaction and better shower life is our goal and motivation.

Installation process

1. Prepare the tools before the installation



Electric Drill



Assorted Screwdriver



Tape Measure



Split Ring Pliers



Knife



Hammer



Wrench



Pencil



Sealant Tape



Plastic Stopper

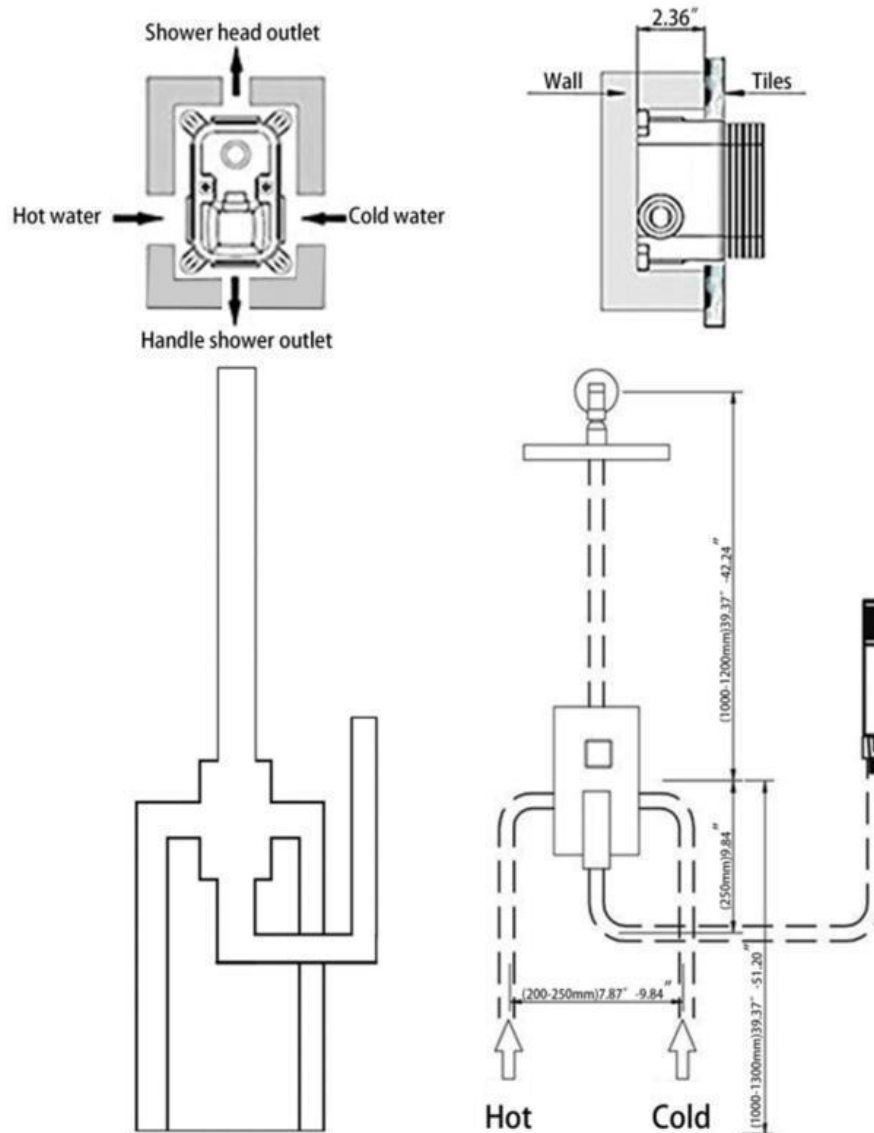


Spirit level with horizontal
and vertical indicators

Note: Be careful when using these tools.

2. Please turn off the water supply before the installation

3. Determine the installation position and height according to the actual situation, and the optimum depth of the water control valve body(According to the following instructional pictures)



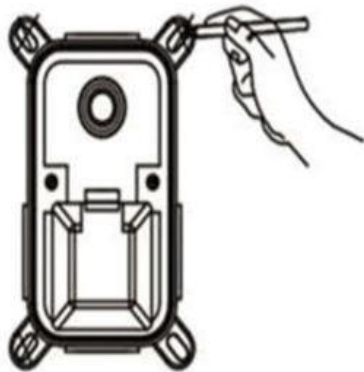
Note: The optimum depth of the water control valve body into the wall is 2.36 inch (60mm) to 3.15 inch (80mm). Do not exceed 3.54 inch (90mm).

4. Install the water control valve

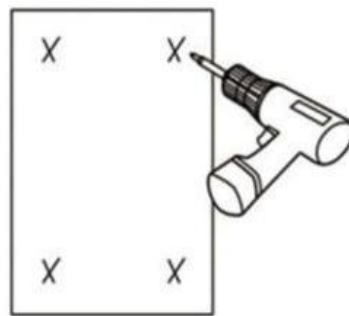
(1)The installation position and height of water control valve can be determined according to your own actual situation.

(2)Please use the Spirit level to ensure the valve installation level.

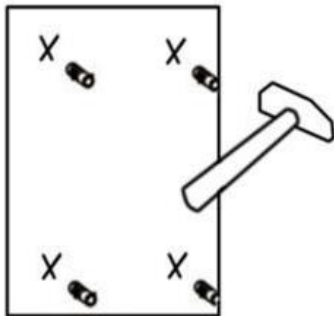
(3)Please see the installation steps as follows:



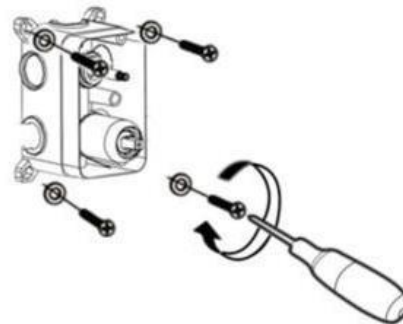
① Determine the position of the water control valve, Mark the screw position



② Use electric drill to punch according to the mark

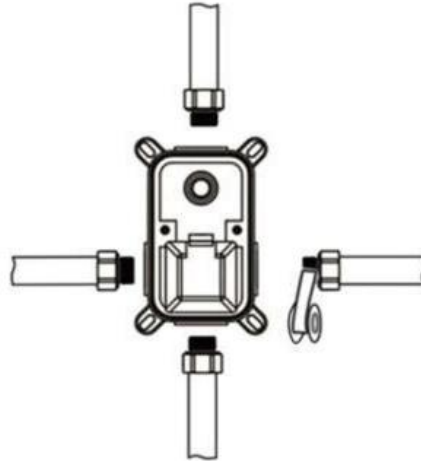


③ Punch the plastic screw sleeve into the hole with hammer

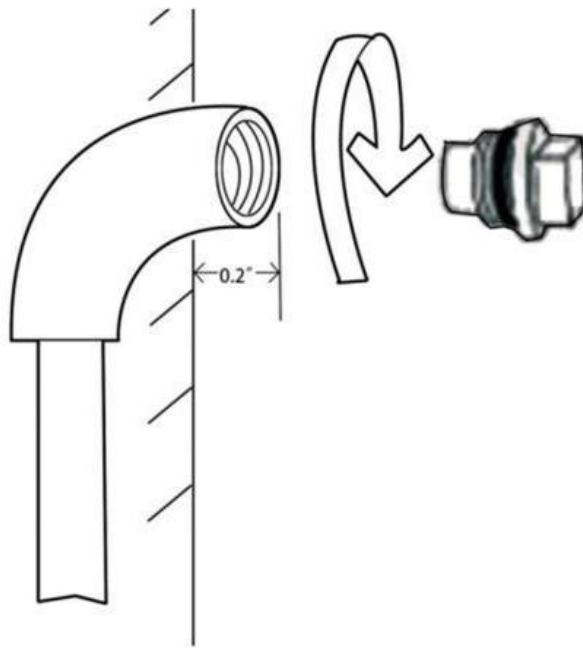


④ Use screwdrivers to tighten the metal washers and screws into four plastic screws

5. Connecting the inlet and outlet pipe with the valve body,
Please notice that before connecting the shower control valve,
flush the water inlet pipe to ensure the water inlet pipe has no
impurities;

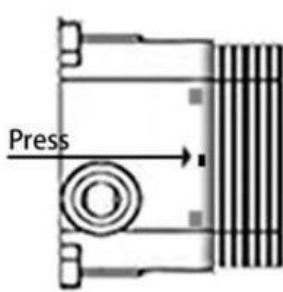


Depth of the outlet pipe, pipe bracket is installed 0.2 inch (5mm)
from the front of the finished wall.

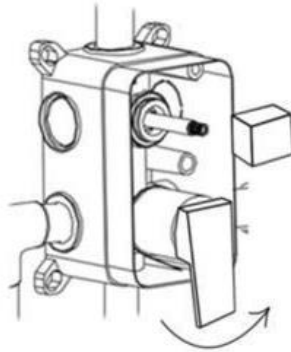


6. Test work

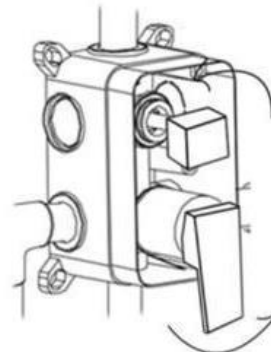
Check the water pressure and water temperature to prevent blockage and leakage.



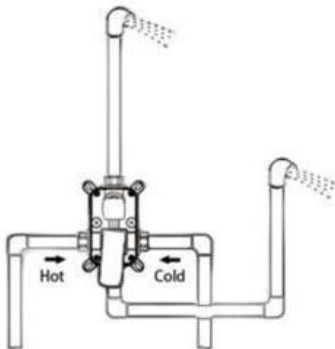
① Press aside to remove the plastic cap



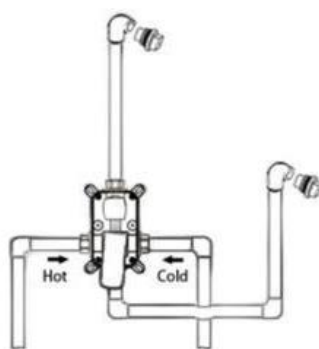
② Simply install the handle and knob, and make sure the switch is off



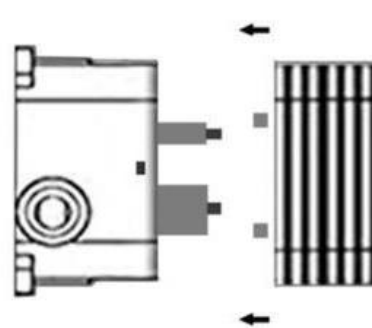
③ Open the water supply system, test whether the water pressure is appropriate and no leak by controlling the handle and knob



④ Make sure everything is working properly and no leak



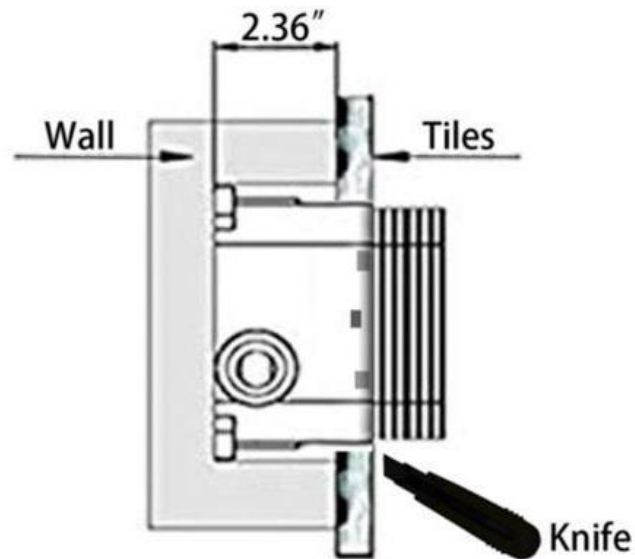
⑤ Plug all the pipe outlets with a plastic stopper and open the switch, check the upper and lower outlets for tightness and line pressure



⑥ After the test, cover the lid. Avoid damage to the main body when decorating

Note: Test work is a very important step, make sure everything is ok before decorating.

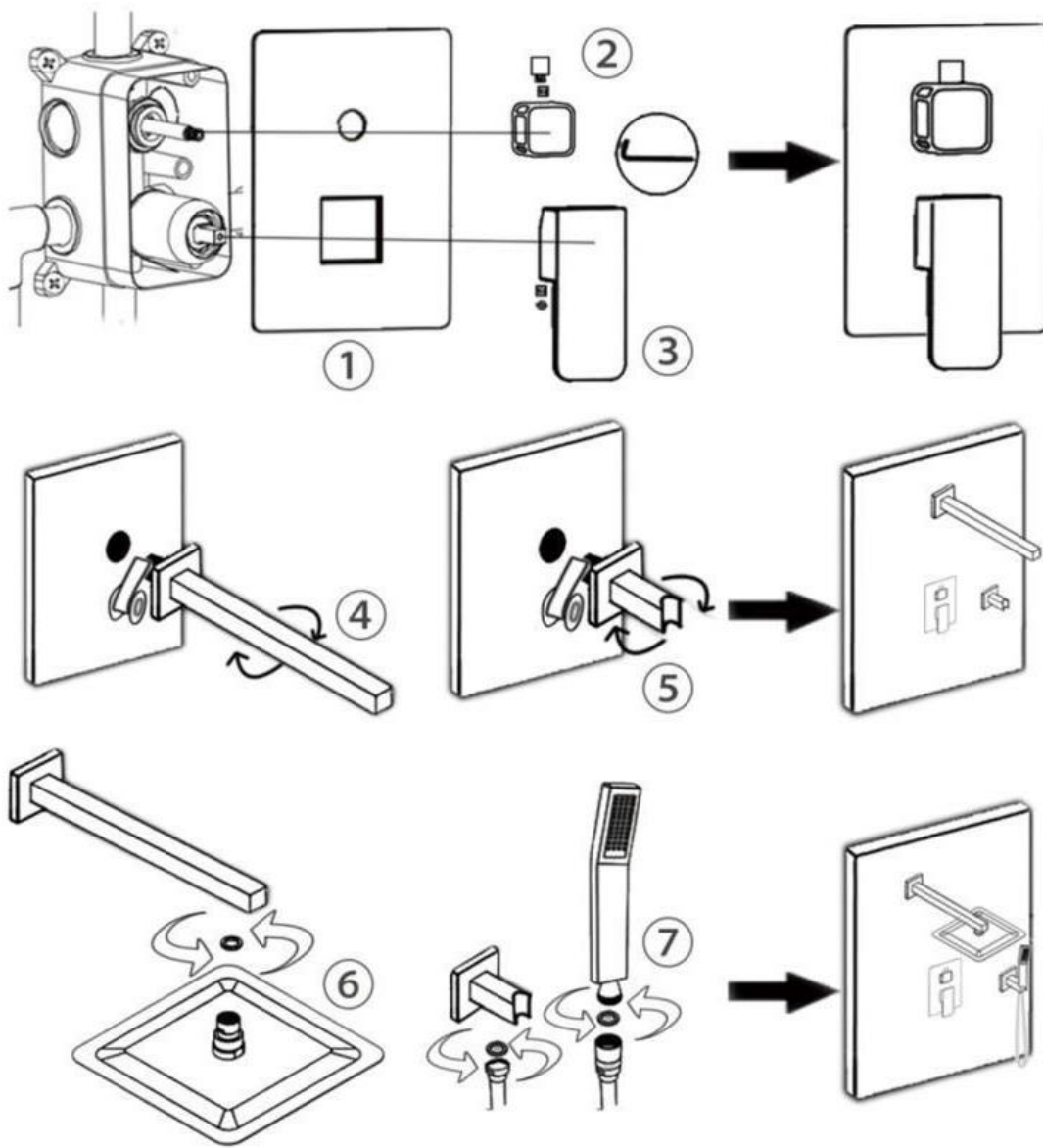
7. After installing the tile and before installing the shower valve panel, cut the extra part of the embedded box according to the actual installation depth so that the panel can be well installed.



Note: The best depth of the water control valve body into the wall is 2.36 inch (60mm), according to the actual installation depth, **there is usually no need to cut the box, just remove the cover.**

8. Install the accessories outside the wall.

Including: ①Valve panel ②Knob
 ③Handle ④Shower arm
 ⑤Hand shower head ⑥Shower head
 ⑦Shower holder



9.Finished, and enjoy your easeful shower life