



W1 : 16pcs+1



W2 : 16pcs+1



W3 : 8x40mm(16pcs+2)



W4 : 10x40mm(6pcs)



5mm(1pc)



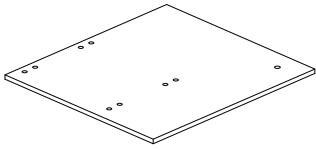
4mm(1pc)



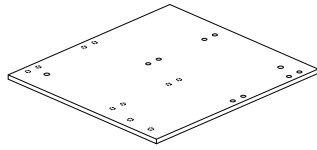
W5 : 6x12mm(4pcs)



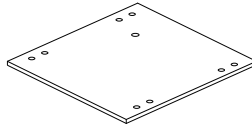
W6 : 2pcs



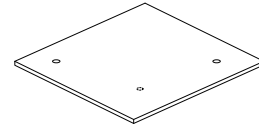
A 480*440mm(1pc)



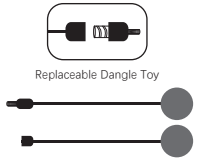
B 480*440mm(1pc)



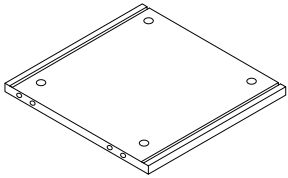
C 300*300mm(1pc)



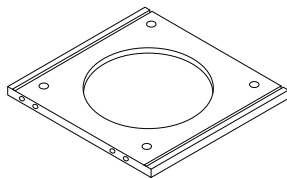
D 390*300mm(1pc)



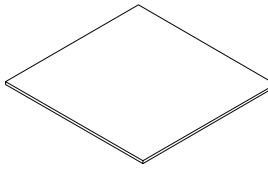
E 1pc+1pc



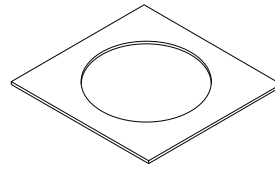
F 298*285mm(2pcs)



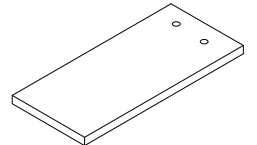
G 298*285mm(2pcs)



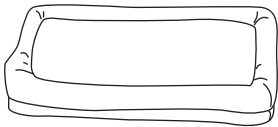
H 276*285mm(2pcs)



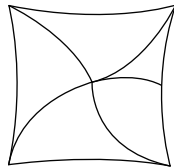
I 276*285mm(2pcs)



J 340*150mm(1pc)



K 1pc



L 2pcs



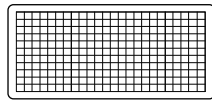
M 480mm(1pc)



N 180mm(1pc)



O 285mm(1pc)



P 1pc



Q 1pc



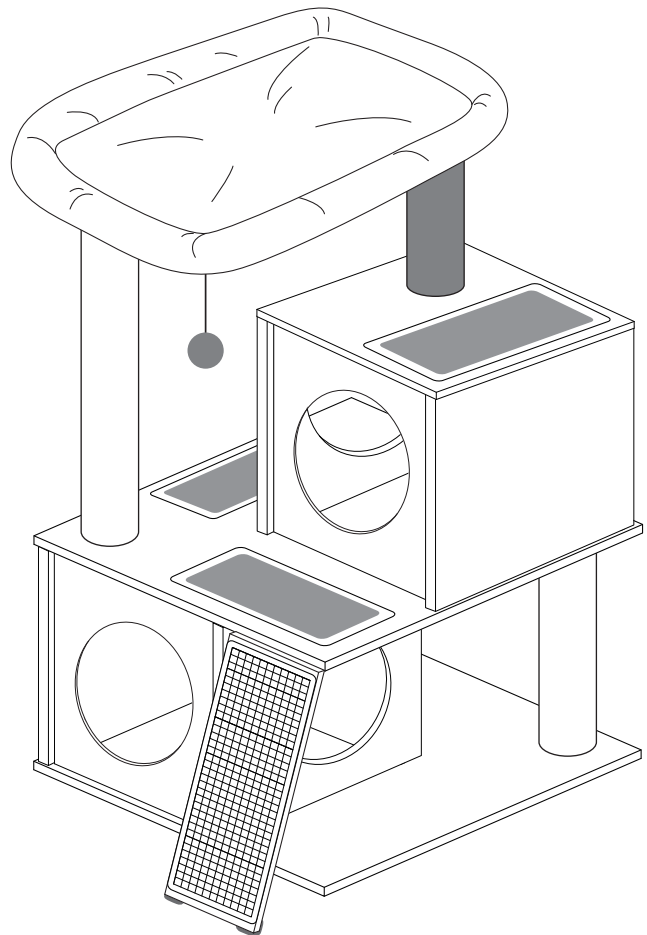
R 2pcs



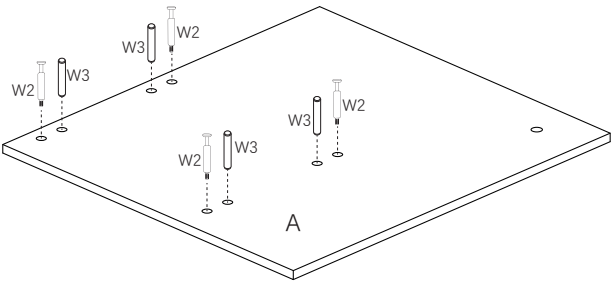
S Φ 38mm(4pcs)



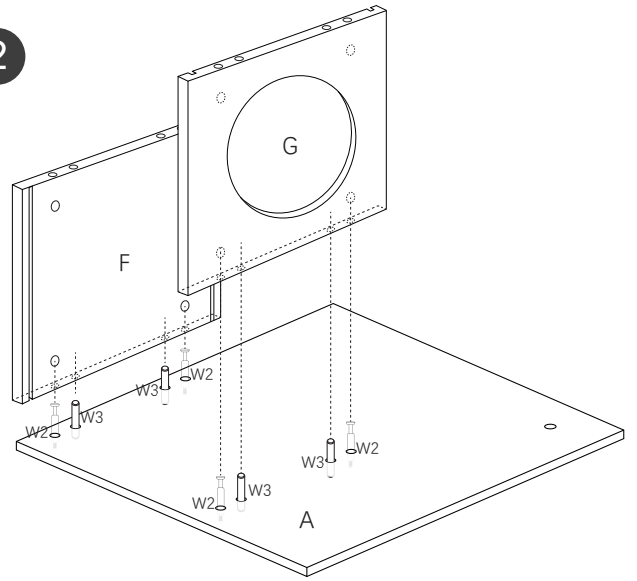
T 2pcs



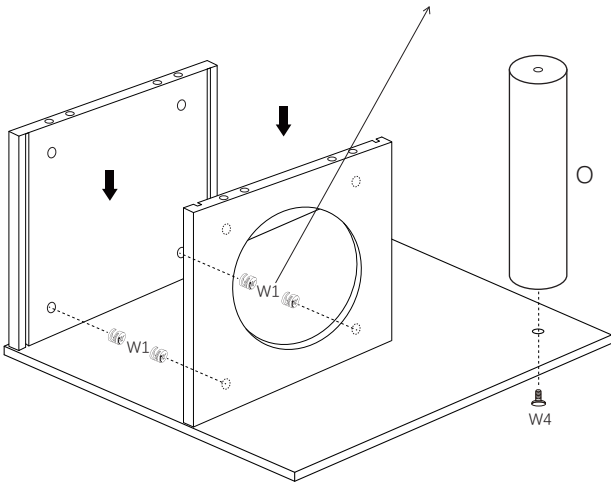
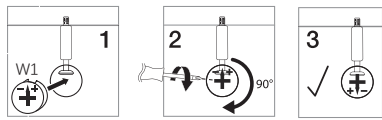
1



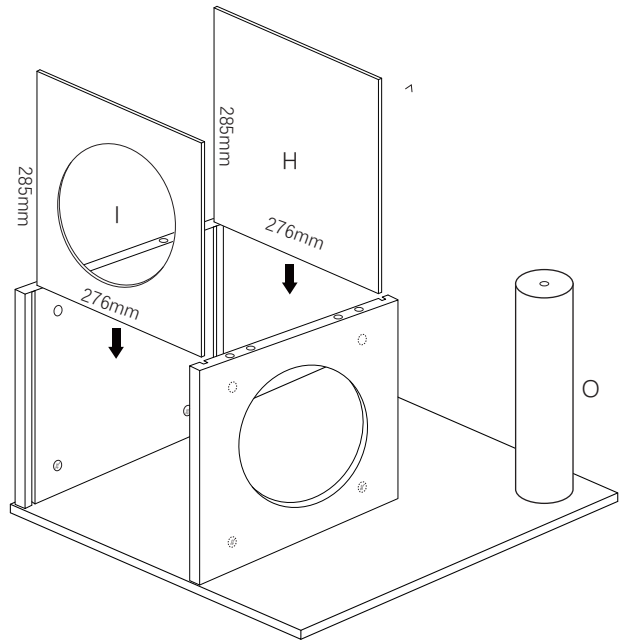
2



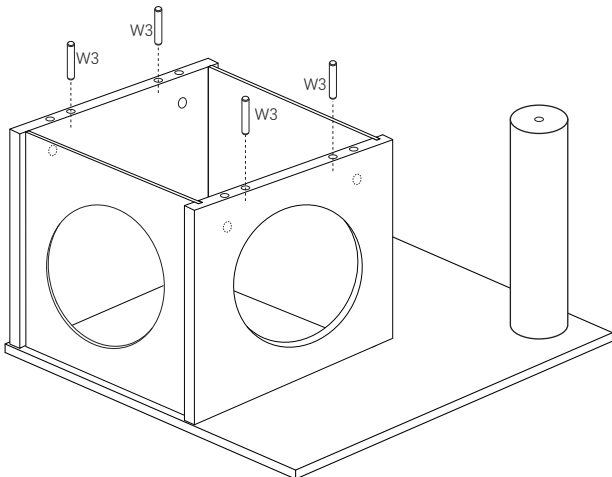
3



4

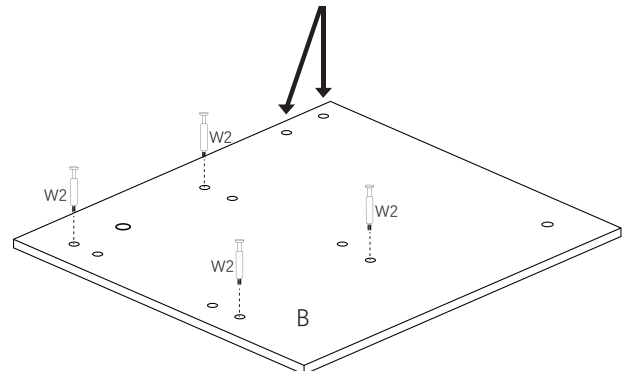


5

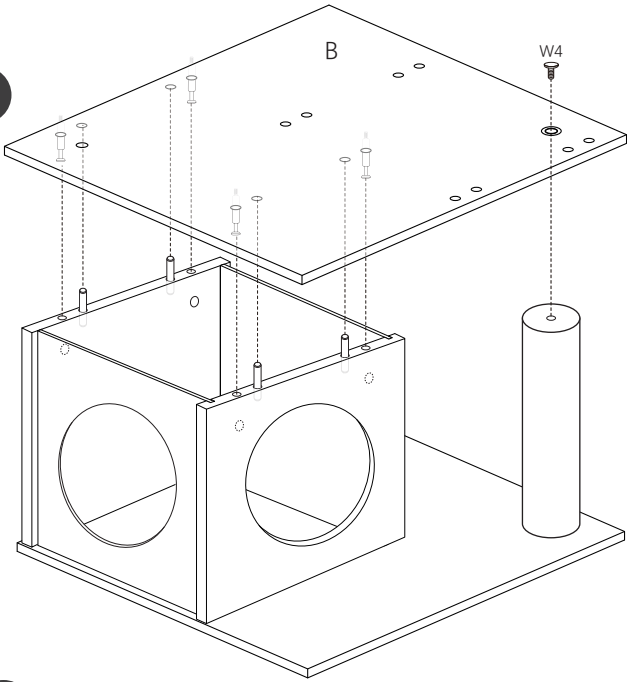


6

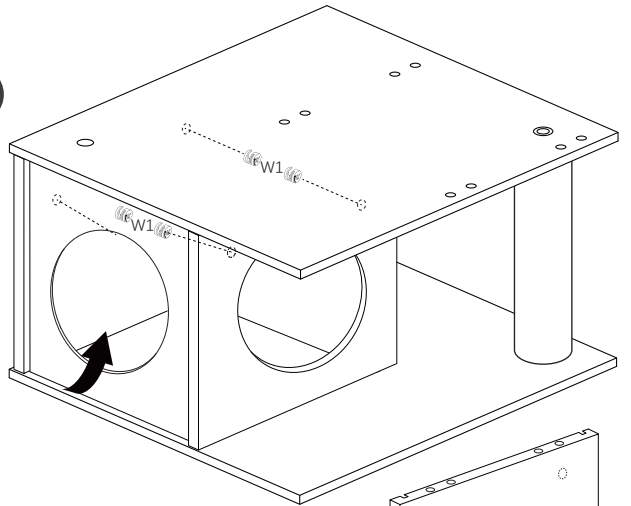
The holes are for the ladder



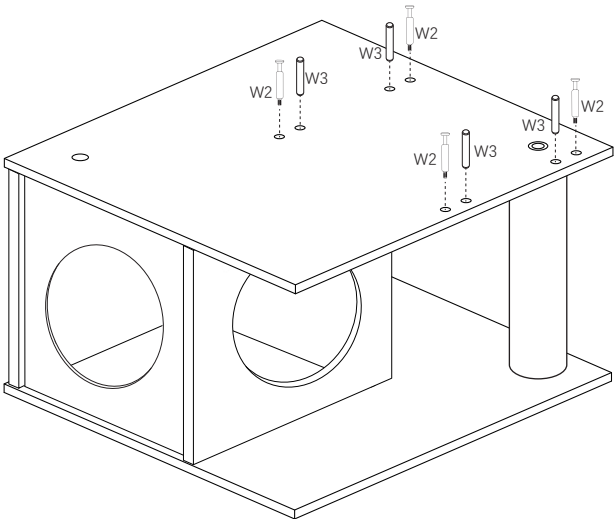
7



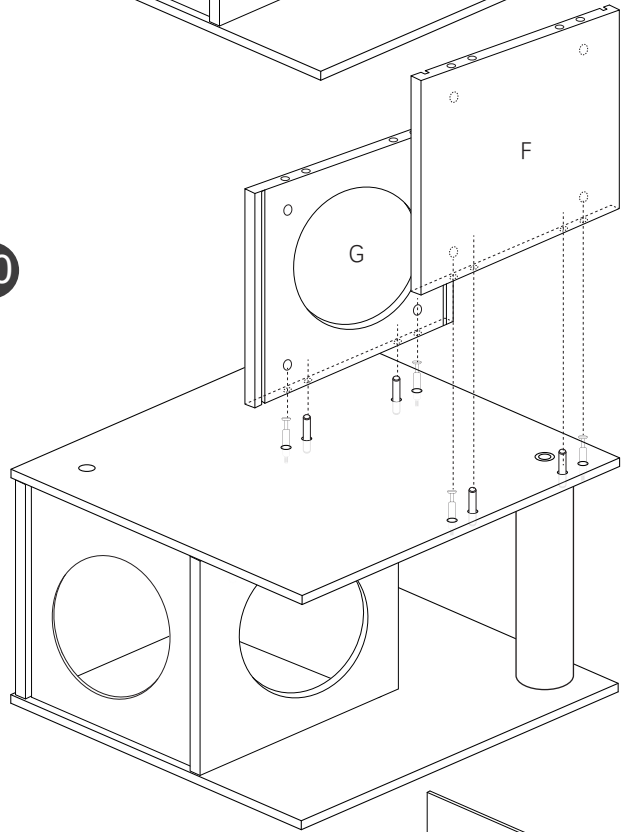
8



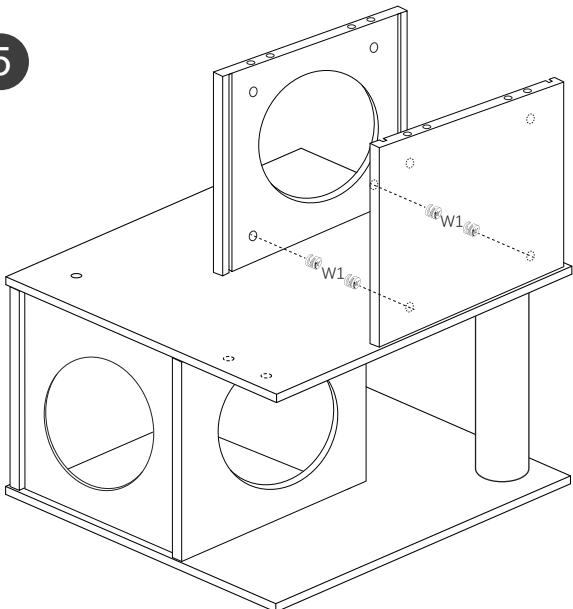
9



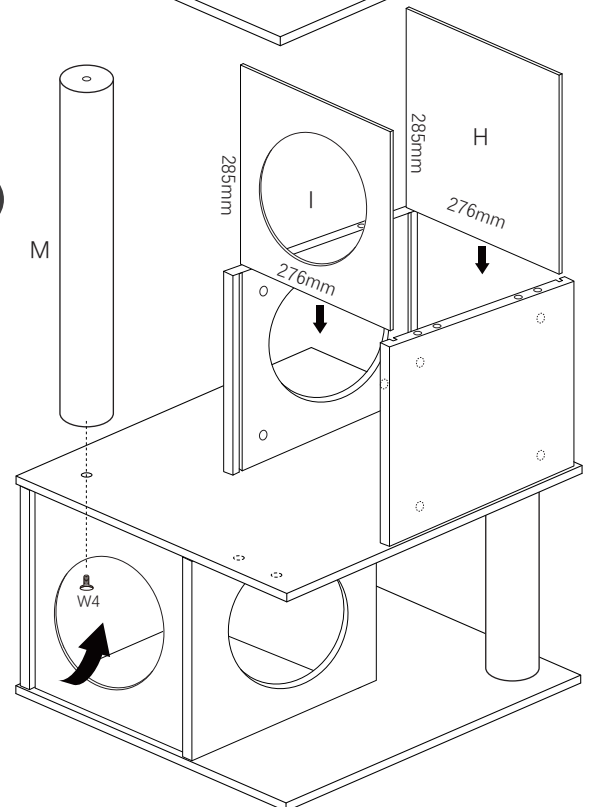
10



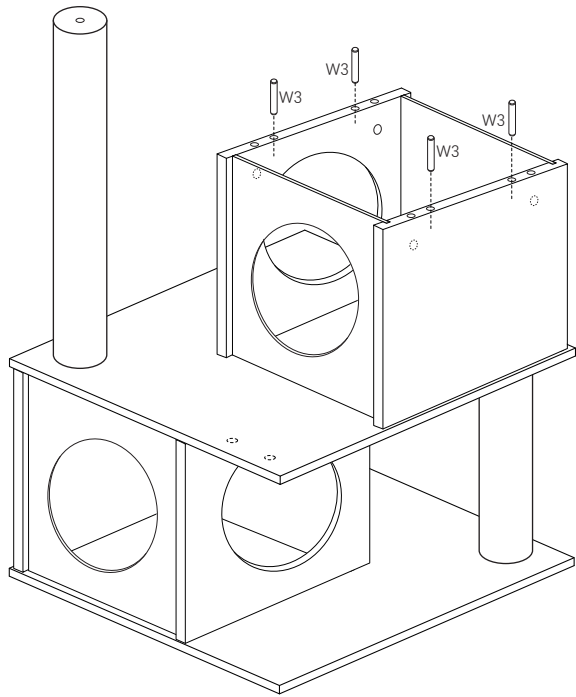
5



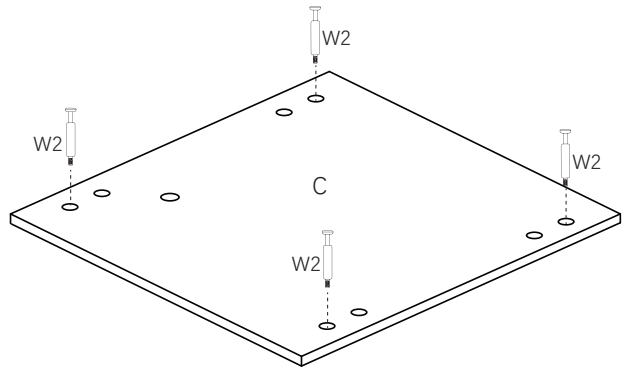
6



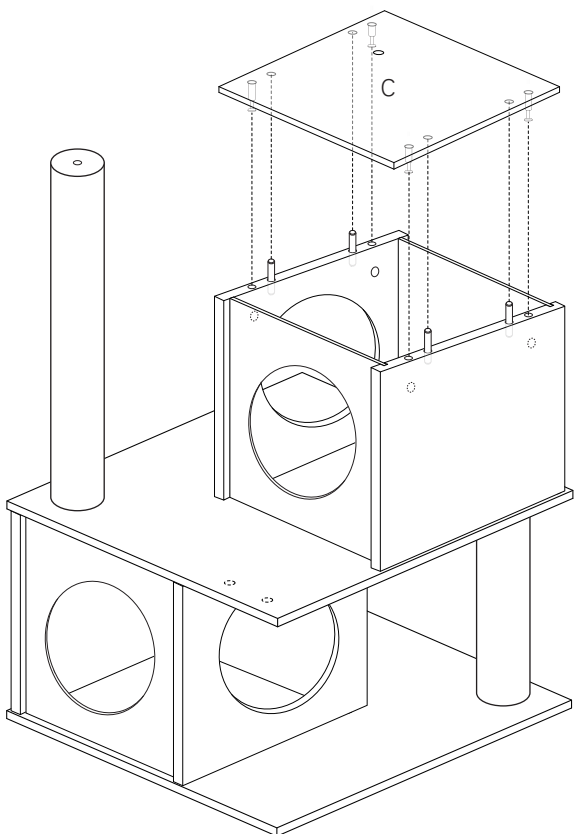
9



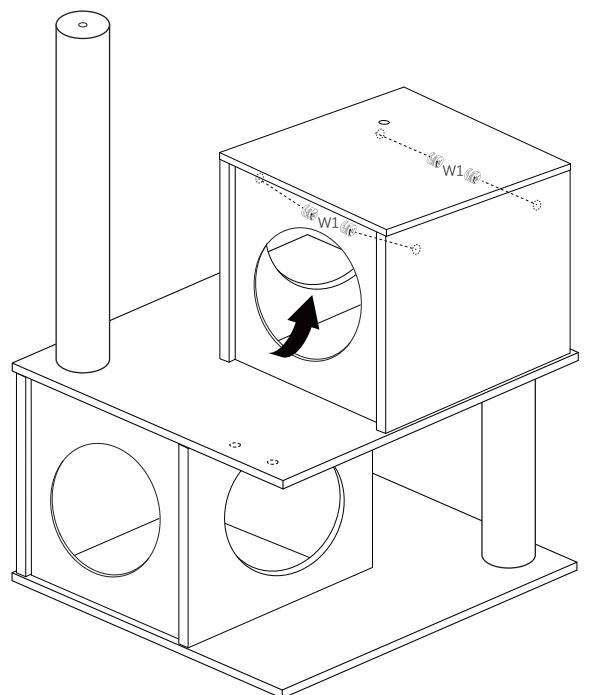
10



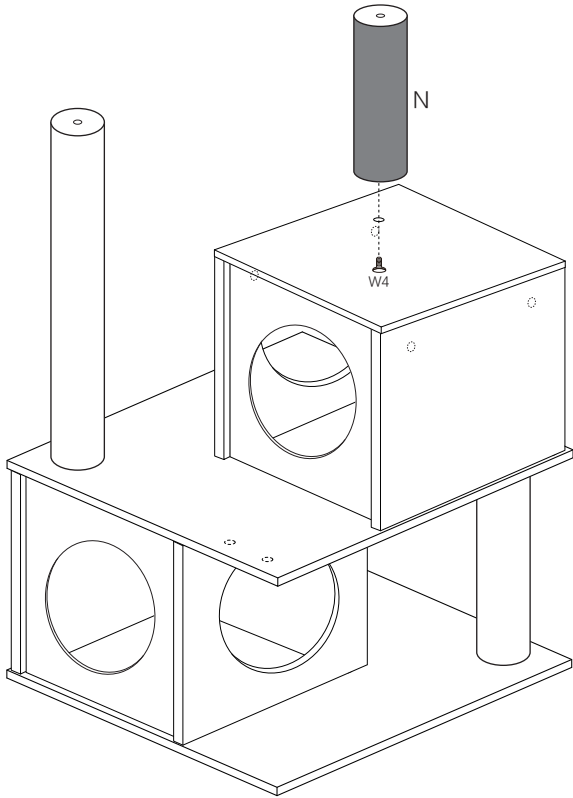
11



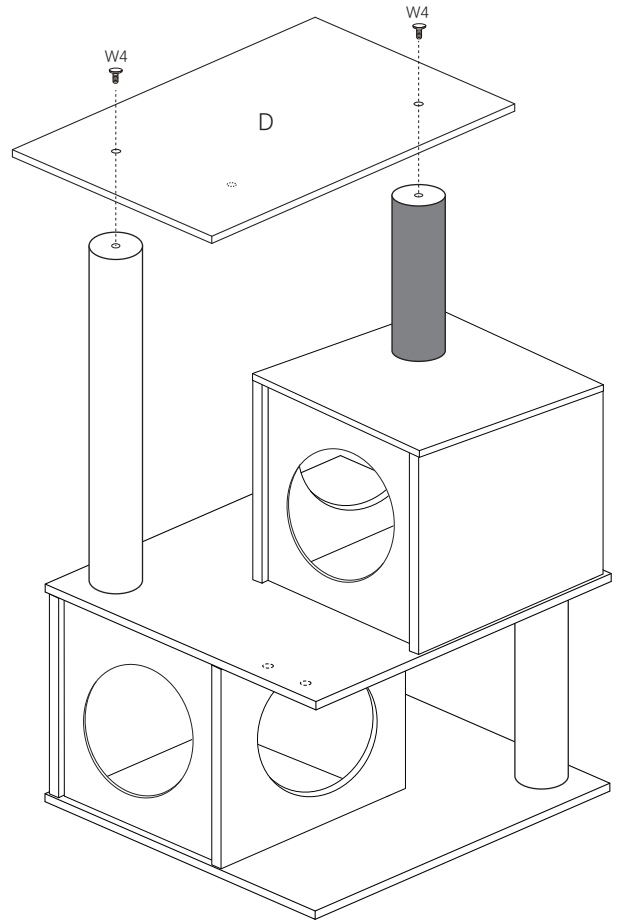
12



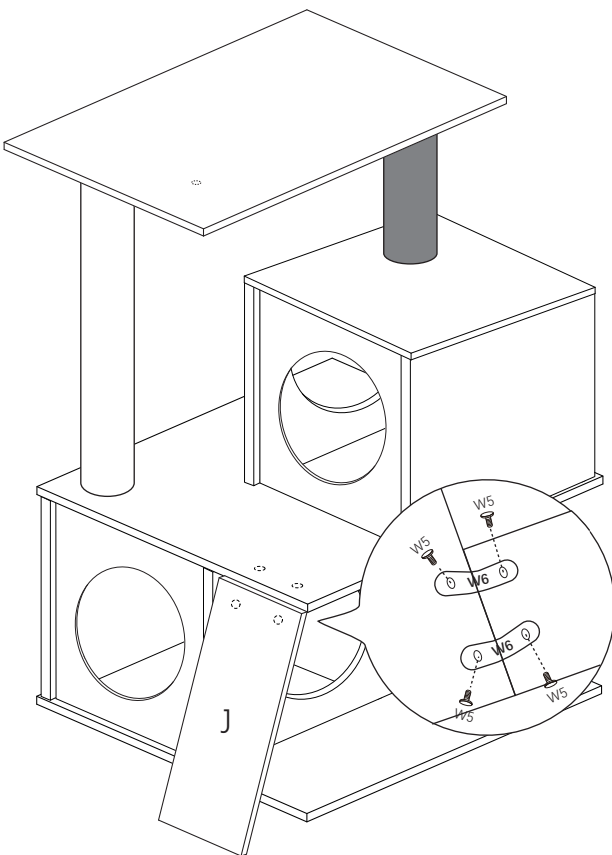
9



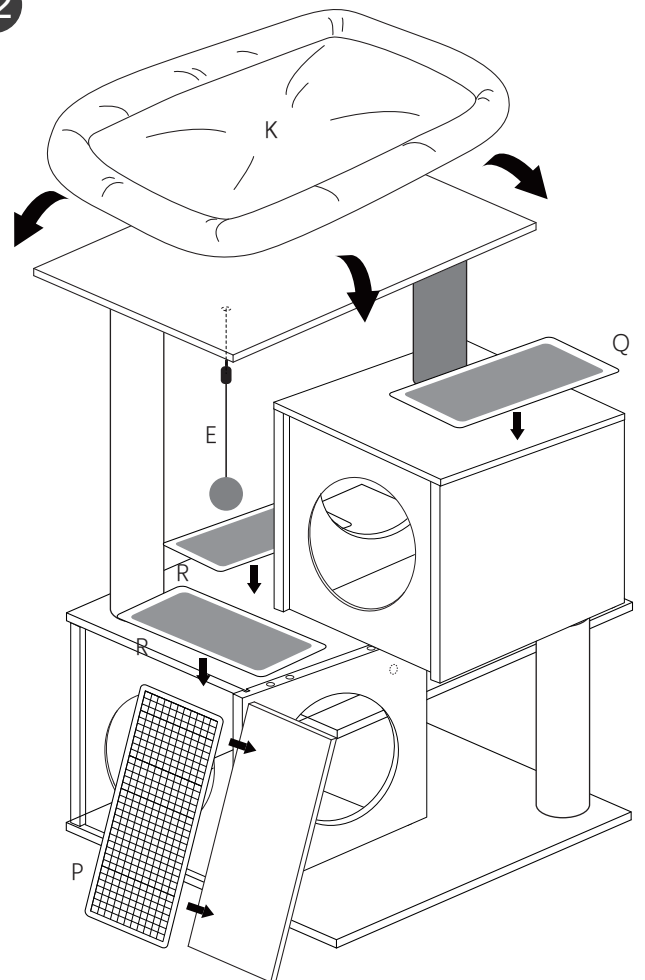
10



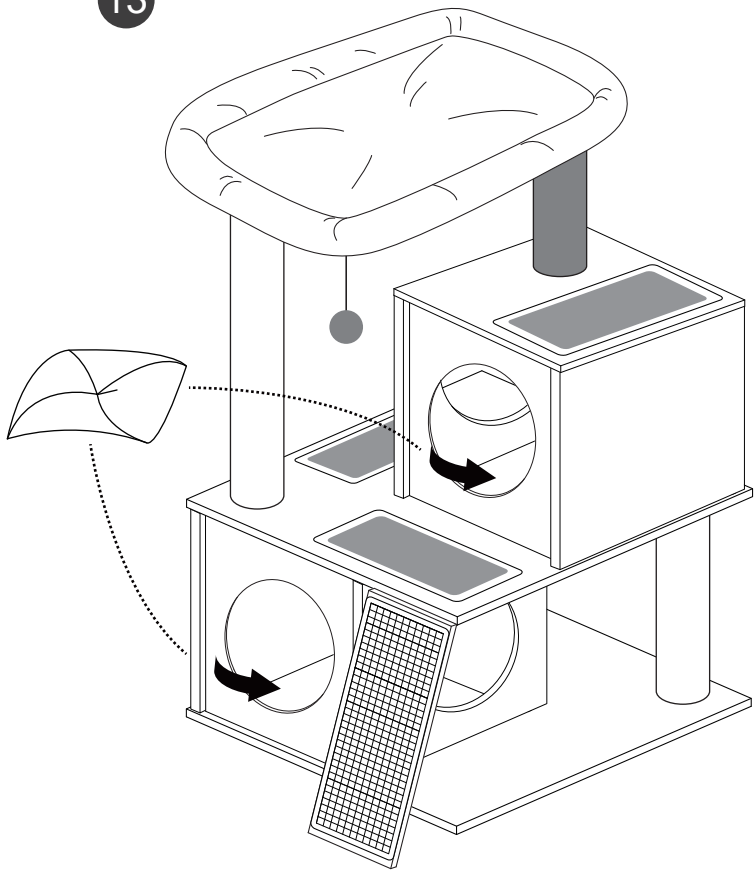
11



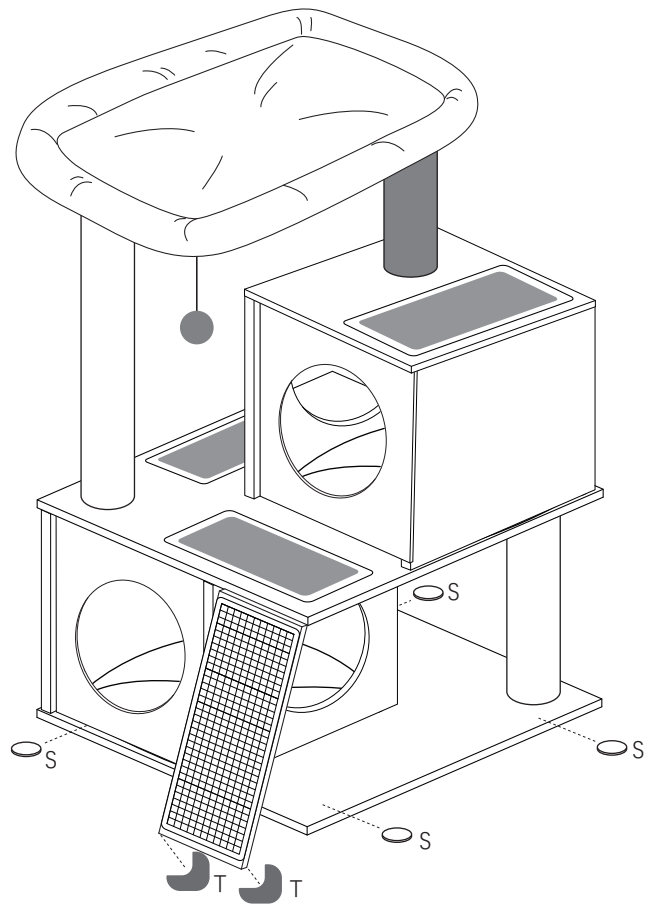
12



13



14



15

