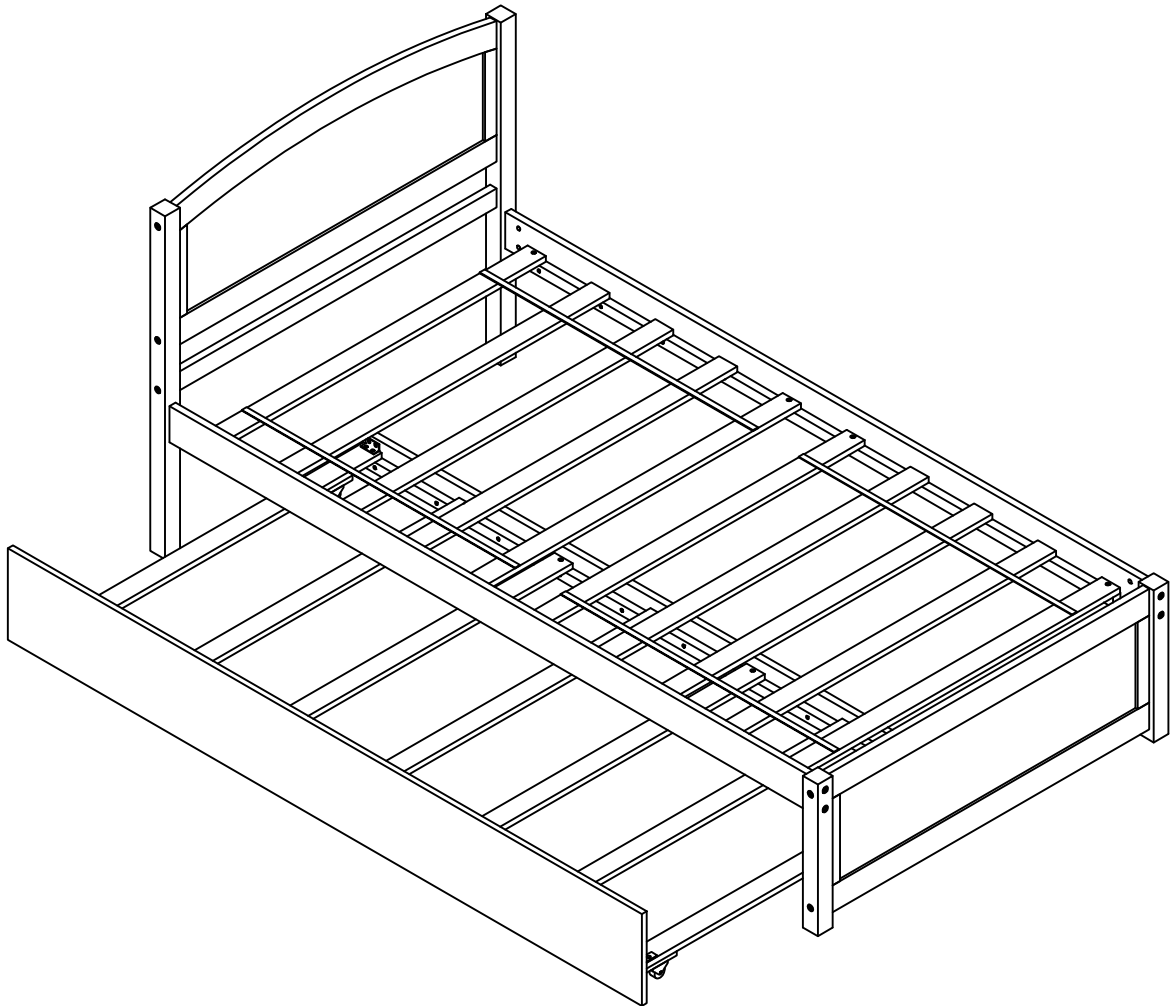
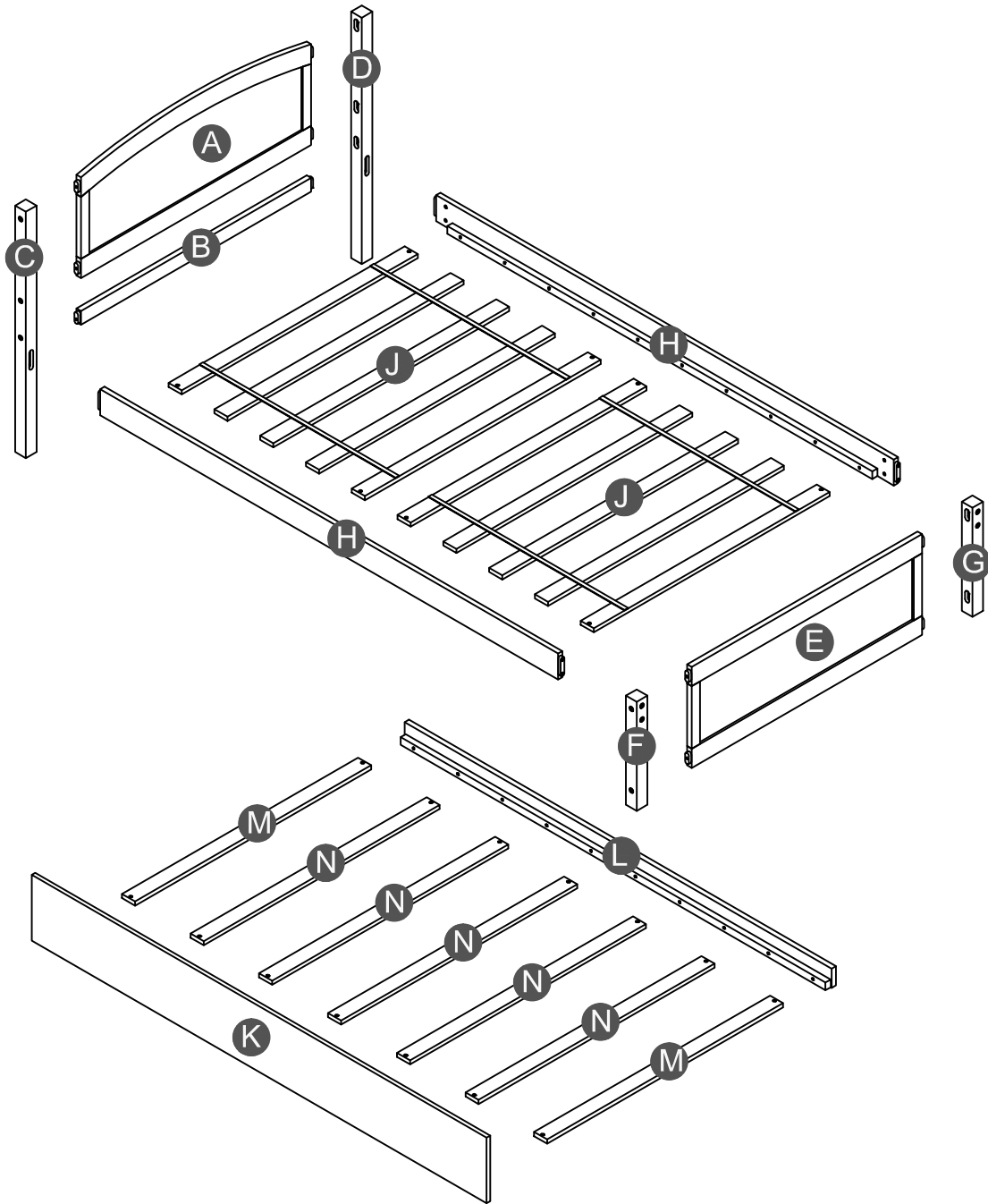


ASSEMBLY INSTRUCTIONS


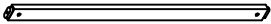
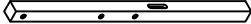
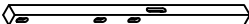
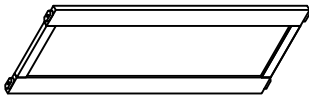
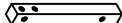
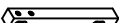

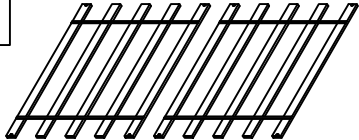
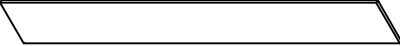

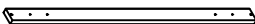
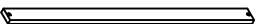
TWIN BED WITH TRUNDLE



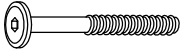
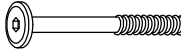


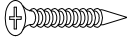
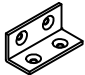
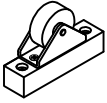


Detail View



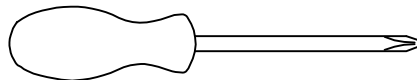
Part List

| | | |
|---|--|---|
| <p>A</p>  <p>Headboard - 1pc</p> | <p>B</p>  <p>Horizontal bar - 1pc</p> | <p>C</p>  <p>Leg headboard(Left) - 1pc</p> |
| <p>D</p>  <p>Leg headboard(Right) - 1pc</p> | <p>E</p>  <p>Footboard - 1pc</p> | <p>F</p>  <p>Leg footboard(Right) - 1pc</p> |
| <p>G</p>  <p>Leg footboard(Left) - 1pc</p> | <p>H</p>  <p>Side rail - 2pcs</p> | <p>J</p>  <p>Slats - 10pcs</p> |
| <p>K</p>  <p>Front panel of trundle - 1pc</p> | <p>L</p>  <p>Back panel side rail of trundle - 1pc</p> | <p>M</p>  <p>Trundle Slats - 2pcs</p> |
| <p>N</p>  <p>Trundle Slats - 5pcs</p> | | |

Hardware List

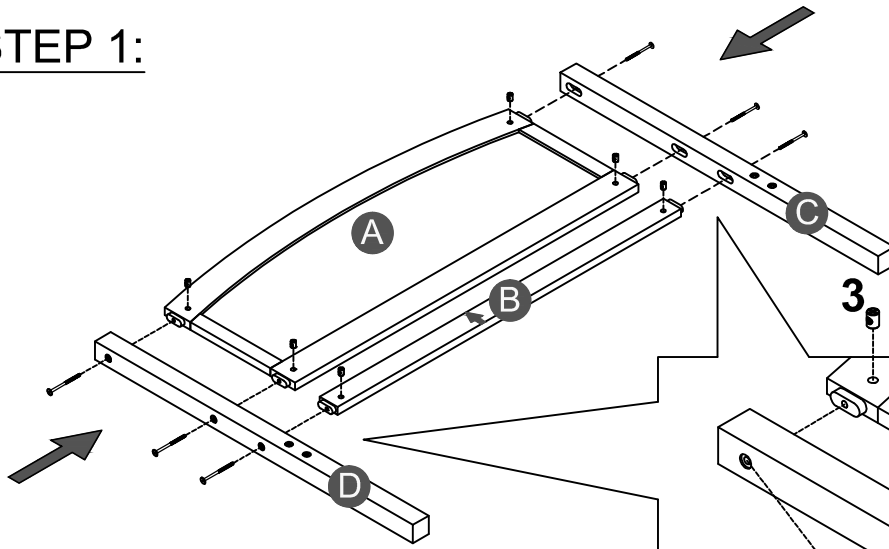
| | | |
|---|---|--|
| 1  (Ø15)1/4"*80mm Hex-Head bolts (10pcs) | 2  (Ø15)1/4"*100mm Hex-Head bolts (8pcs) | 3  1/4"*15 (9.5mm) Horizontal-Hole bolts(18pcs) |
| 4  (1/4")4.5*58mm Allen key (1pc) | 5  Ø4*30mm Wood screws (30pcs) | 6  40*18*18*2mm Metal bracket (2pcs) |
| 7  100*63*20mm Wheels (4pcs) | 8  95*95*18*3mm Metal bracket (2pcs) | 9  Ø3.5*15mm Wood screws (16pcs) |



ASSEMBLY TOOLS REQUIRED (NOT INCLUDED)

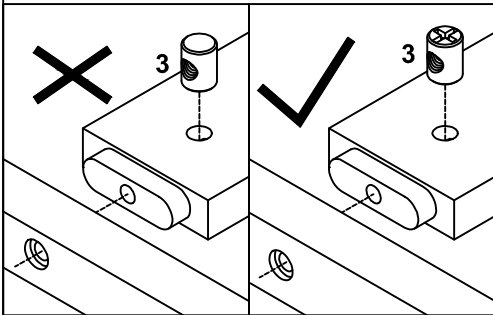
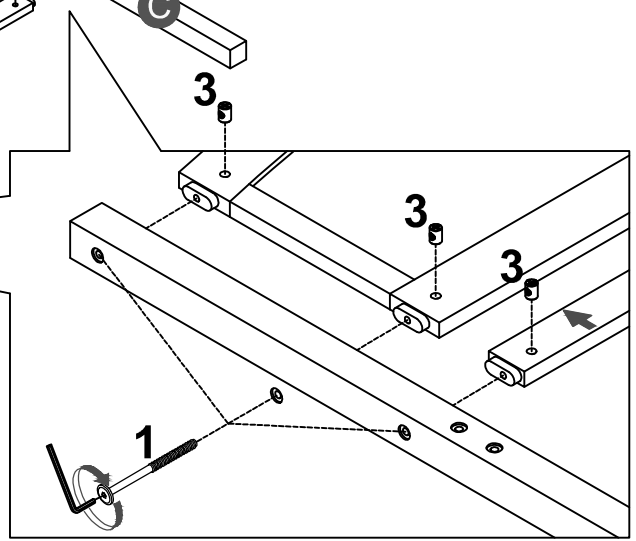


PLEASE BE CAREFUL DO NOT DAMAGE THE HOLE POSITION WHEN YOU USE POWER TOOLS !

STEP 1:

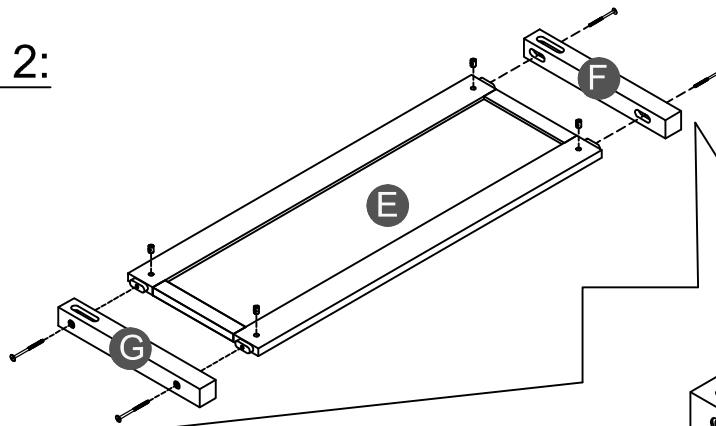




| | |
|--|---|
| 1 | 3 |
|  |  |
| 6PCS | 6PCS |

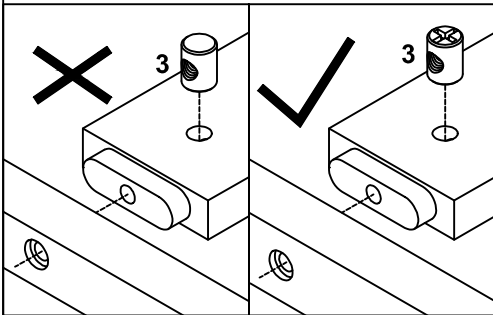
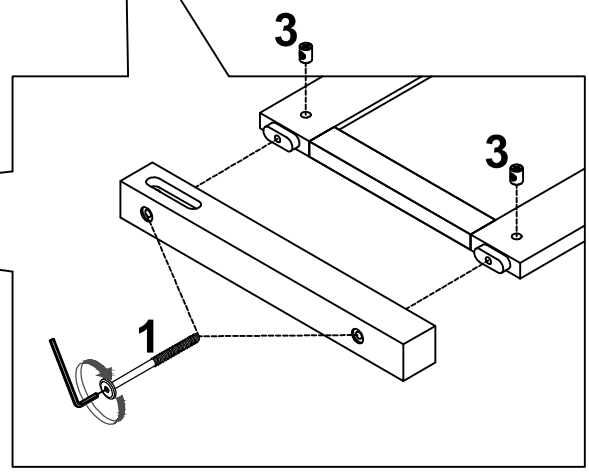


Note: Part 3 will face up with the "x" mark on it, otherwise it cannot be tightened

STEP 2:

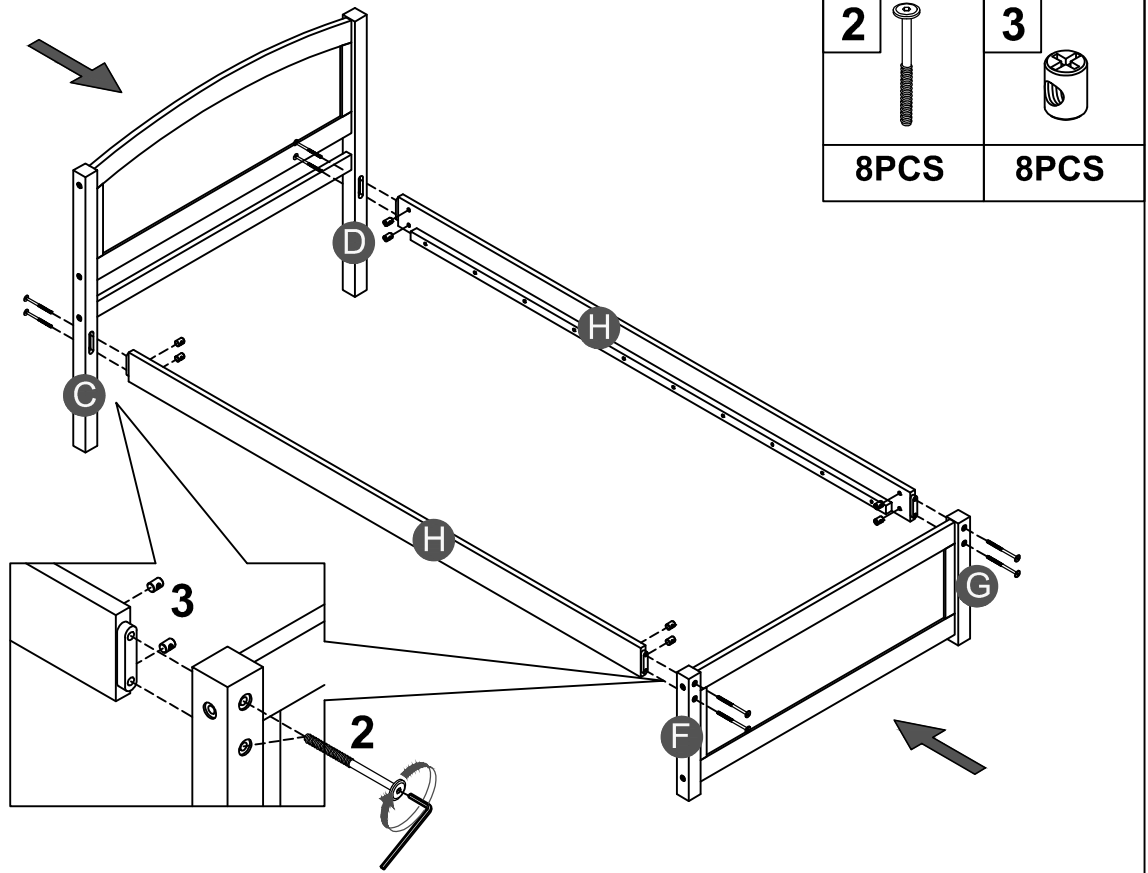


| | |
|---|---|
| 1 | 3 |
|  |  |
| 4PCS | 4PCS |

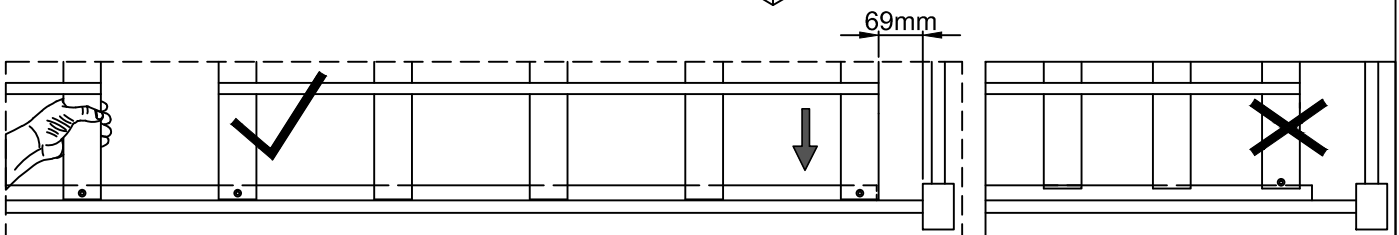
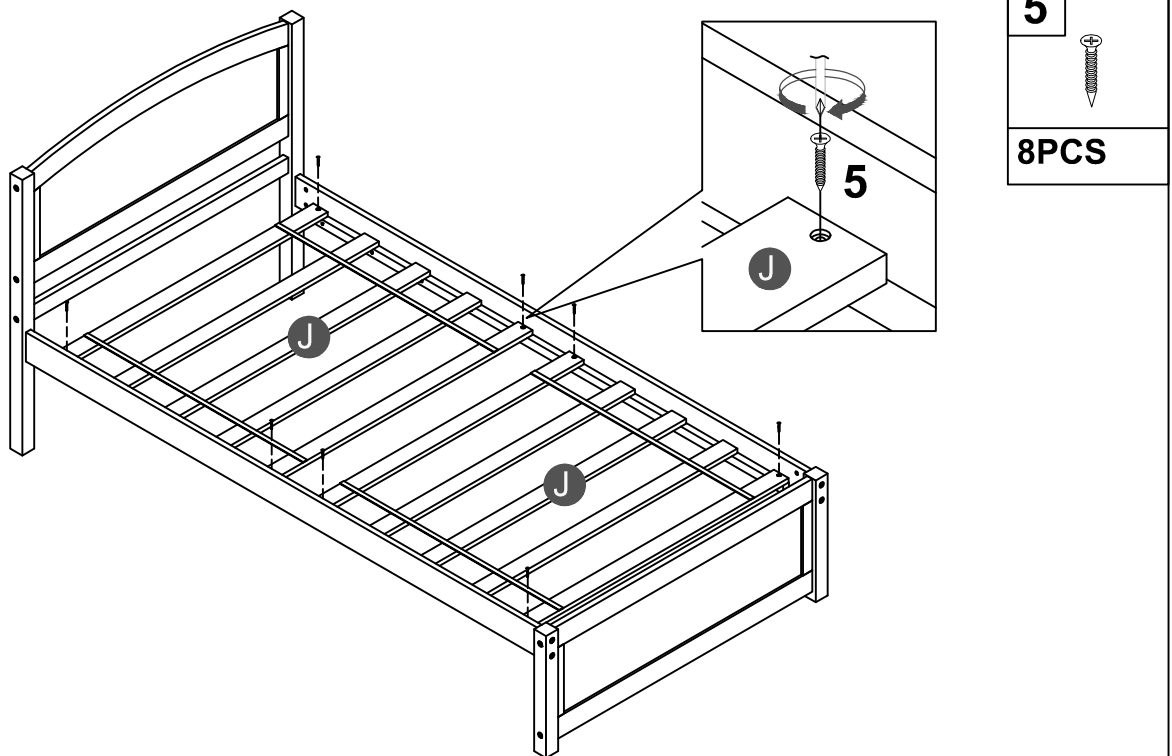


Note: Part 3 will face up with the "x" mark on it, otherwise it cannot be tightened

STEP 3:





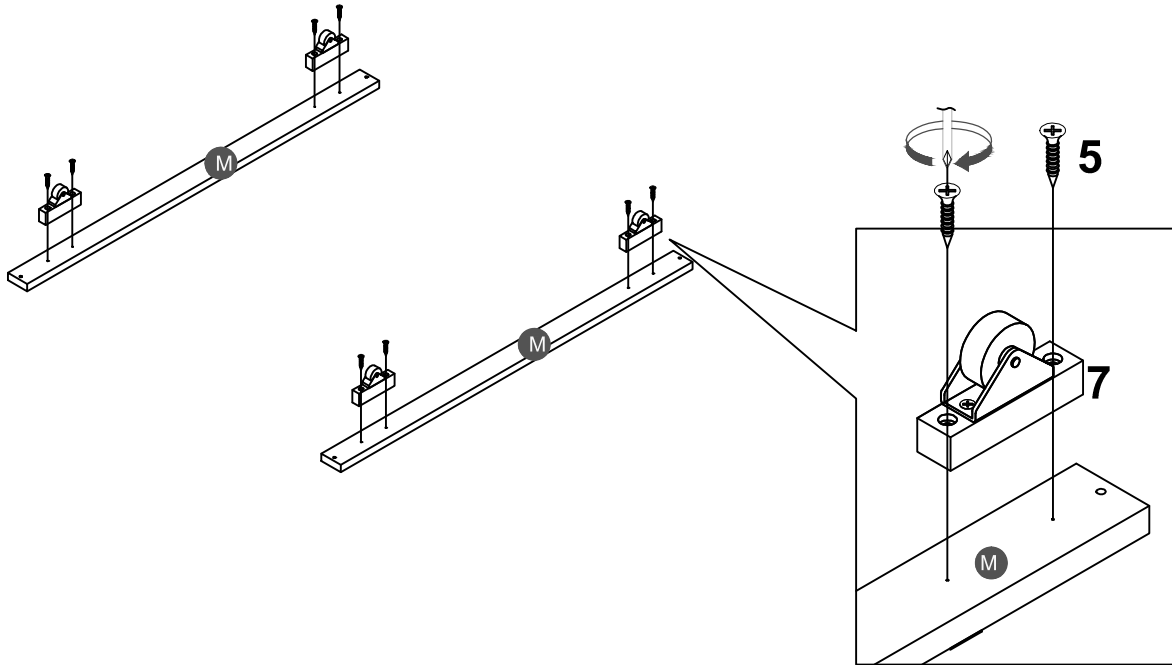
STEP 4:




Note: Do not lock the screws of the bed slats to the outermost edge of the bed slats, you need to leave a certain space at the edges, otherwise it will cause the board to break. Do not lock the bed slats on the edge of the wood, please hold firmly before screwing, hold it in place with one hand, then lock the screw.

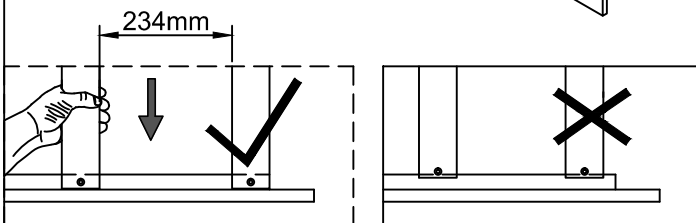
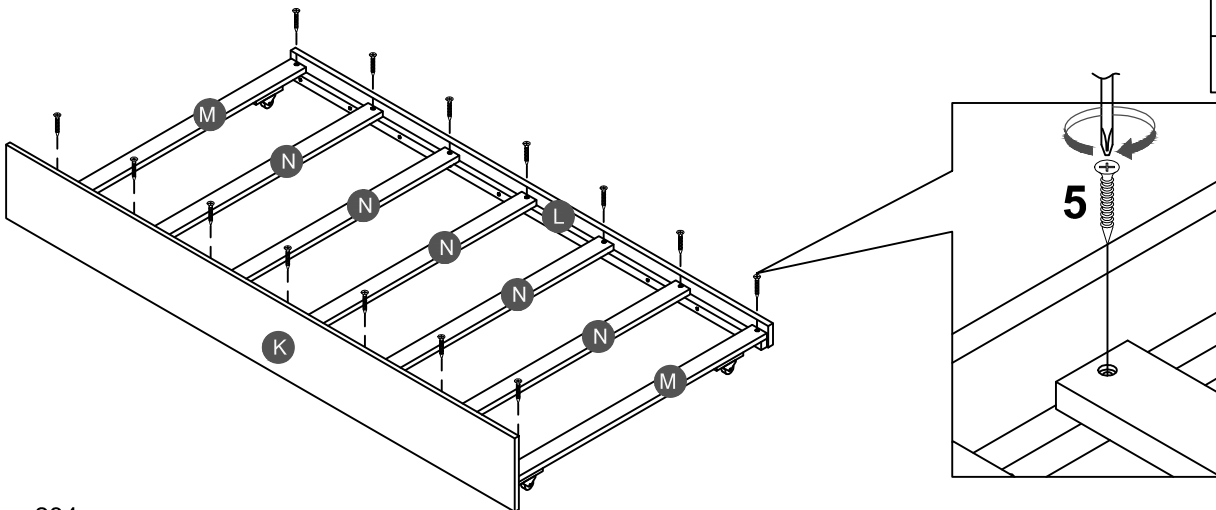
STEP 5:

| | |
|---|---|
| 7 | 5 |
|  |  |
| 4PCS | 8PCS |





STEP 6:

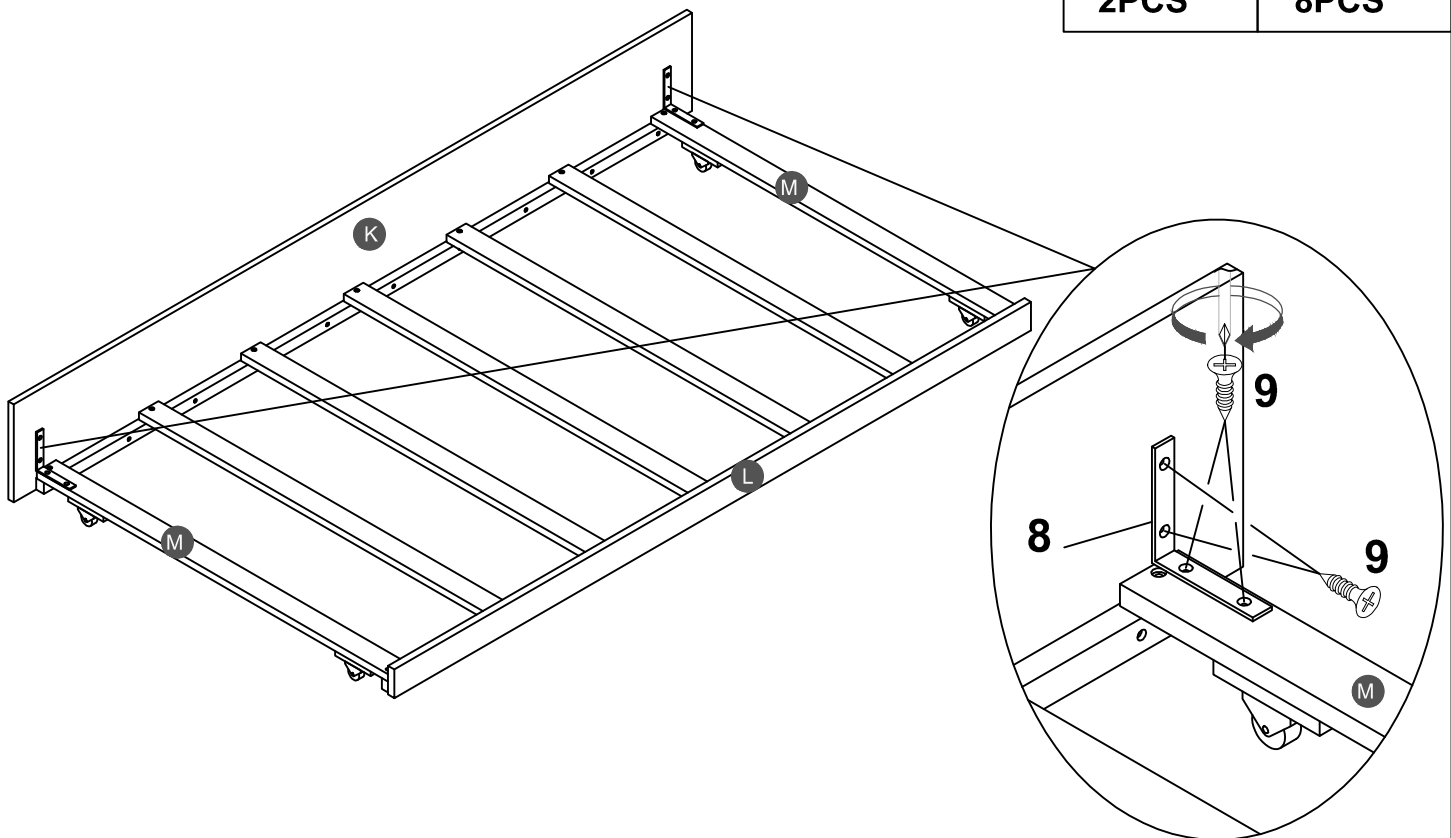
| |
|---|
| 5 |
|  |
| 14PCS |



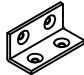

Note: Do not lock the screws of the bed slats to the outermost edge of the bed slats, you need to leave a certain space at the edges, otherwise it will cause the board to break.
Do not lock the bed slats on the edge of the wood, please hold firmly before screwing, hold it in place with one hand, then lock the screw.

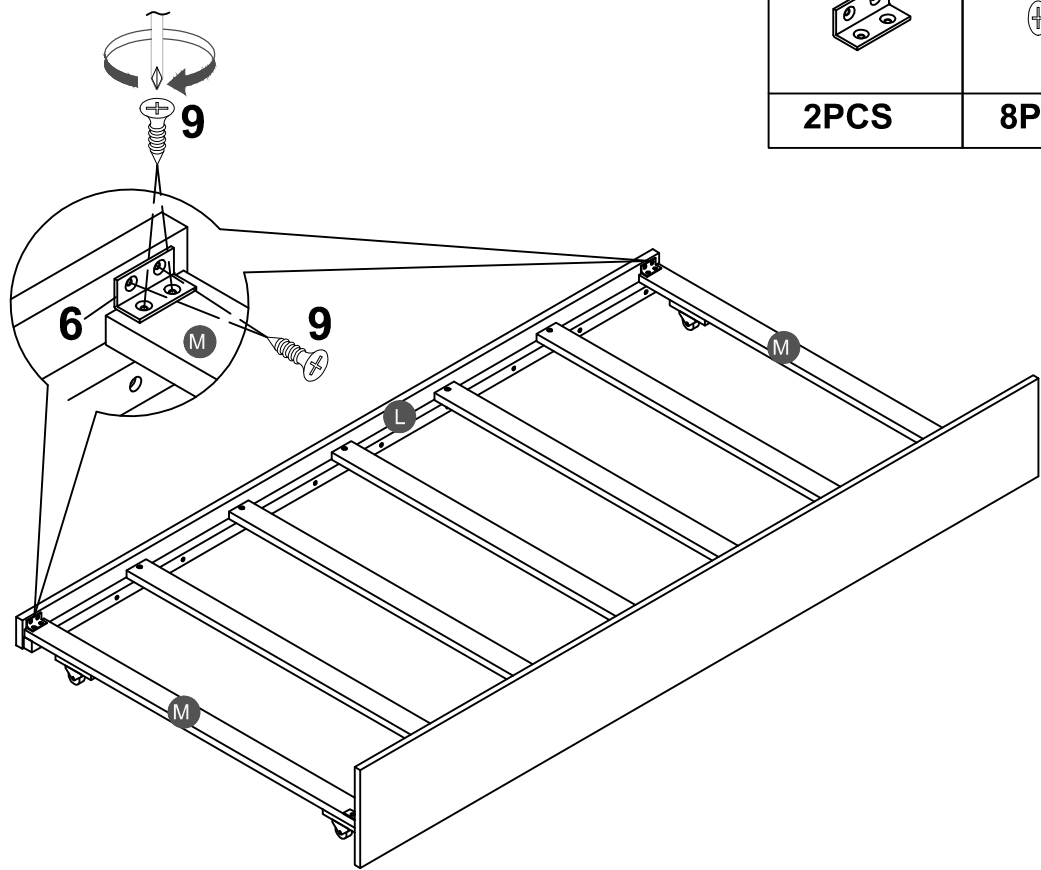
STEP 7:

| | |
|---|---|
| 8 | 9 |
|  |  |
| 2PCS | 8PCS |

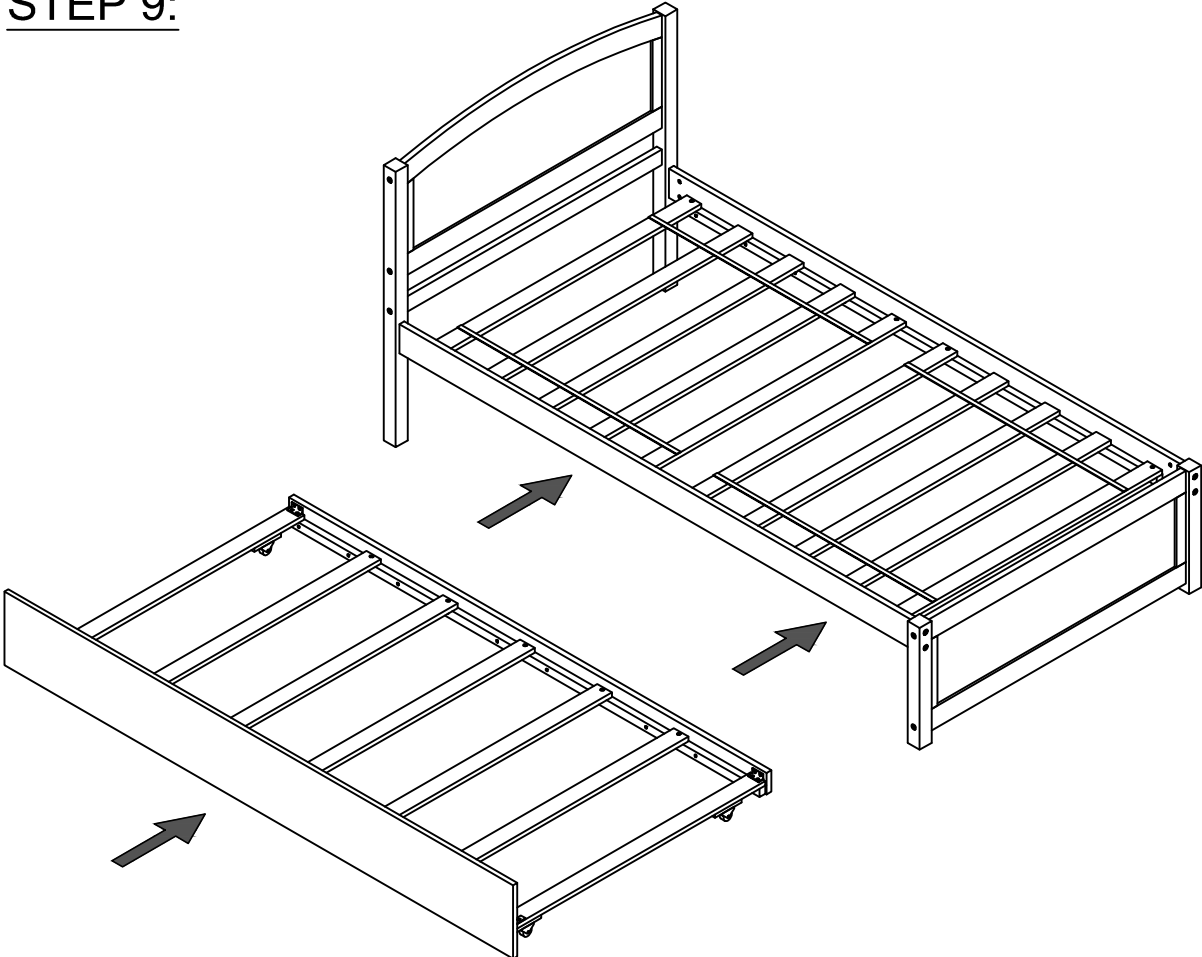


STEP 8:

| | |
|---|---|
| 6 | 9 |
|  |  |
| 2PCS | 8PCS |



STEP 9:



Push Trundle under the bottom of Twin Bed.

