

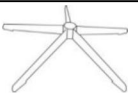


Swivel Lounge Chair

Assembly Instruction:

PARTS LIST

No.	DESCRIPTION	IMAGE	QTY
P1	Chair		1
P2	Pneumatic nozzle link		1
P3	Metal base		1

NOTE: PO# is located underneath/inside of each item. Please be prepare to provide this # should any claim be necessary.

CAUTION: Item is heavy assembly should be performed by two people.

Estimate assembly time: 5 minutes

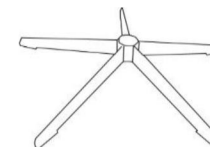
Step1. Take out the chair and legs from the carton.



P1

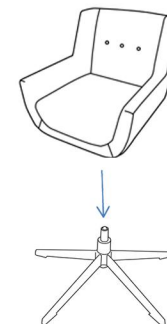
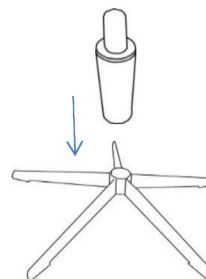


P2

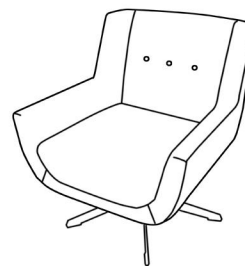


P3

Step 2. Attached the Pneumatic nozzle link(P2) to the Metal base(P3), lock this part onto seat base. Securely tighten the chair.



Step3. Level the chair and place the chair upright on a level surface.



ASSEMBLY COMPLETED