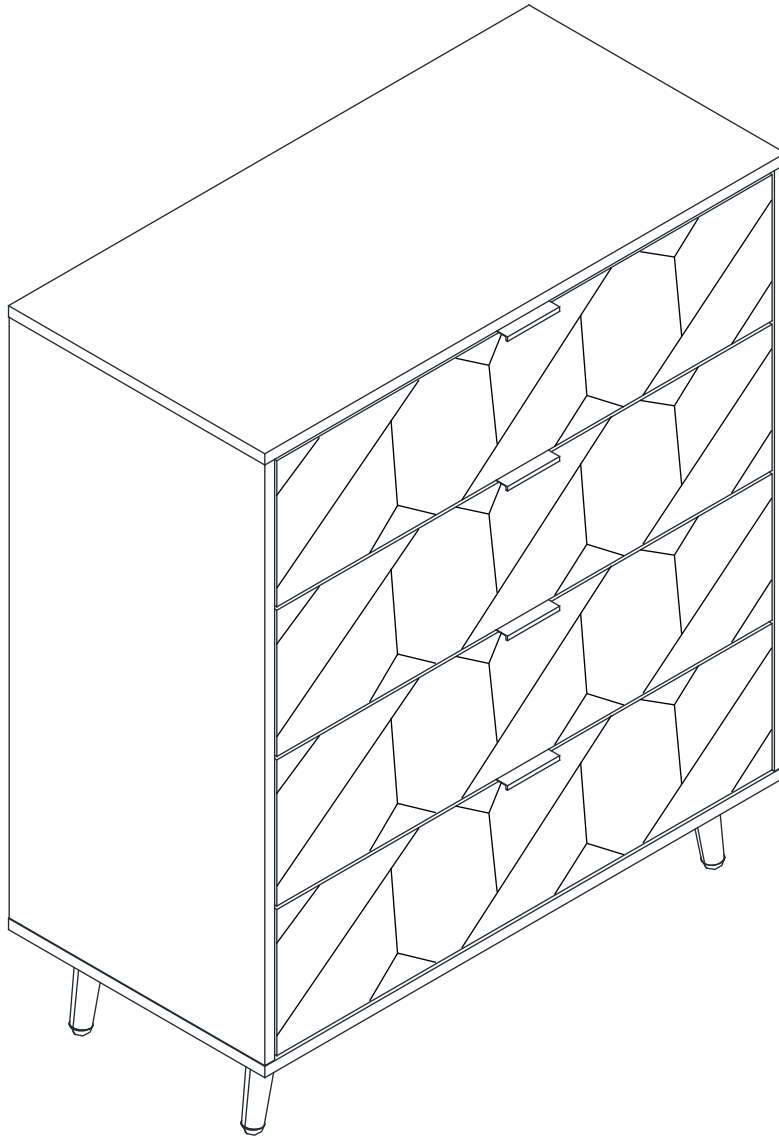


Installation Instruction



Product name

4 Drawer Cabinet

Ver.1.0 20221213

Assembling

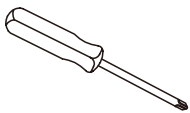
Estimated time for assembly



30 : 00

What you need

- Use the packaging carton as a working surface to prevent product damage during assembly
- Phillips head screwdriver



Weight Limitation



40 | **22**
lbs table top | lbs per drawer



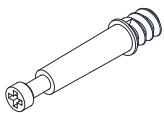
2 PERSONS

What's included

Code	Description	Qty
A	Cam Bolt M6X35MM	30
B	Cam Lock 15X10MM	30
C	Screw M4X35MM	26
D	Wooden Dowel M6X30MM	10
E	Screw M4X14MM	18
F	Metal Connector	2
G	Screw M3X14MM	4
H	Screw M3X12MM	48
I	Plastic corner support	4
J	Handle	4
K	Slide sets	4
L	Wall Plug	2
M	Screw M4X12MM	8

The Hardwares

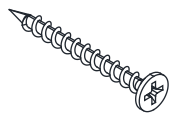
A



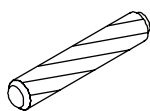
B



C



D



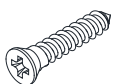
E



F



G



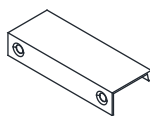
H



I



J



K

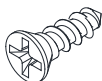


CL DL DR CR

L



M



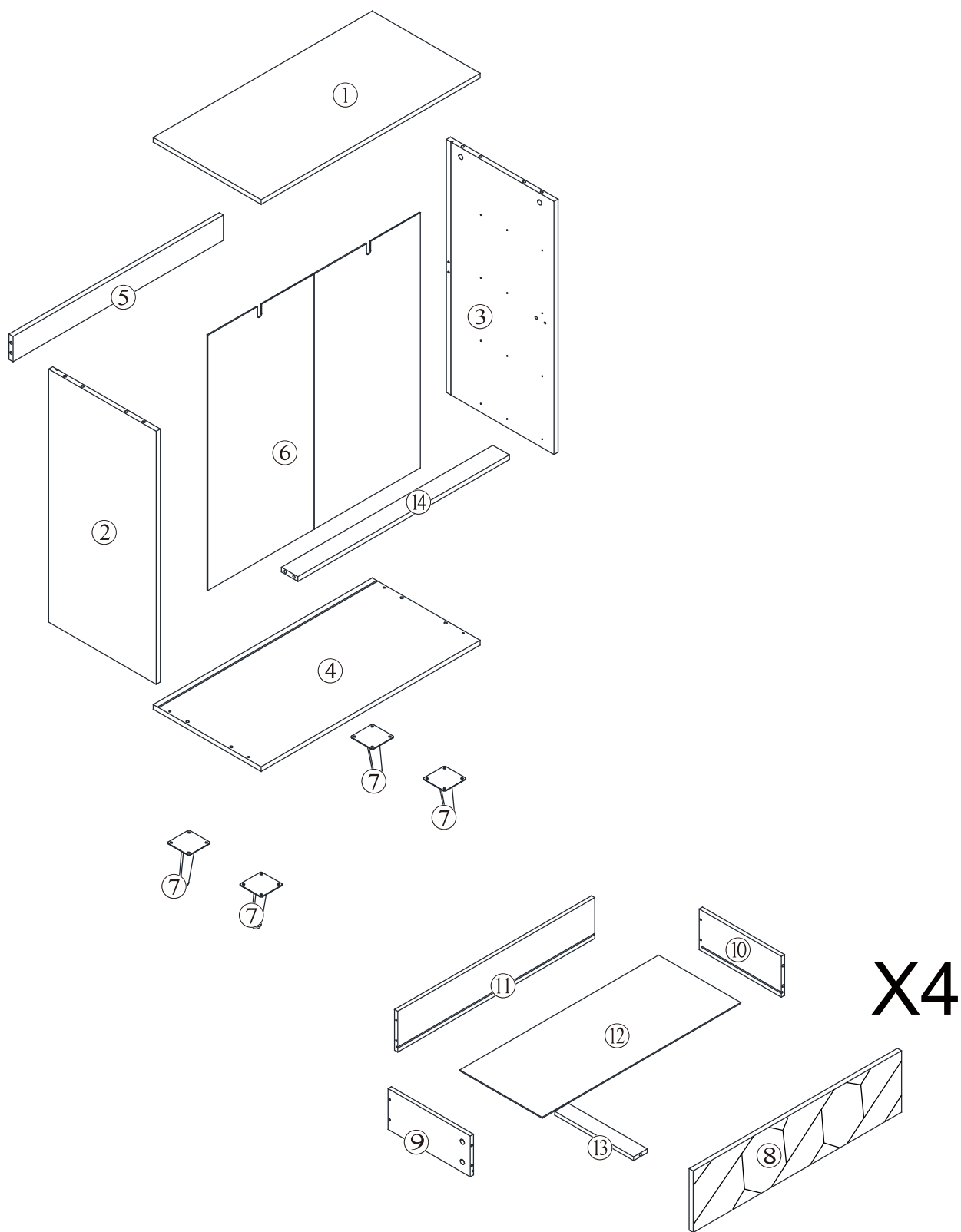
IMPORTANT:

1. Do not tighten bolts / screws completely until all bolts / screws are lined up and inserted into holes.
2. Do not over tighten screws and bolts to avoid stripping.
3. Please use hand tools to assemble this product. Do not use power tools.

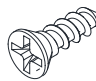


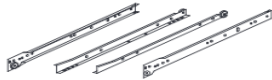
Included Accessories

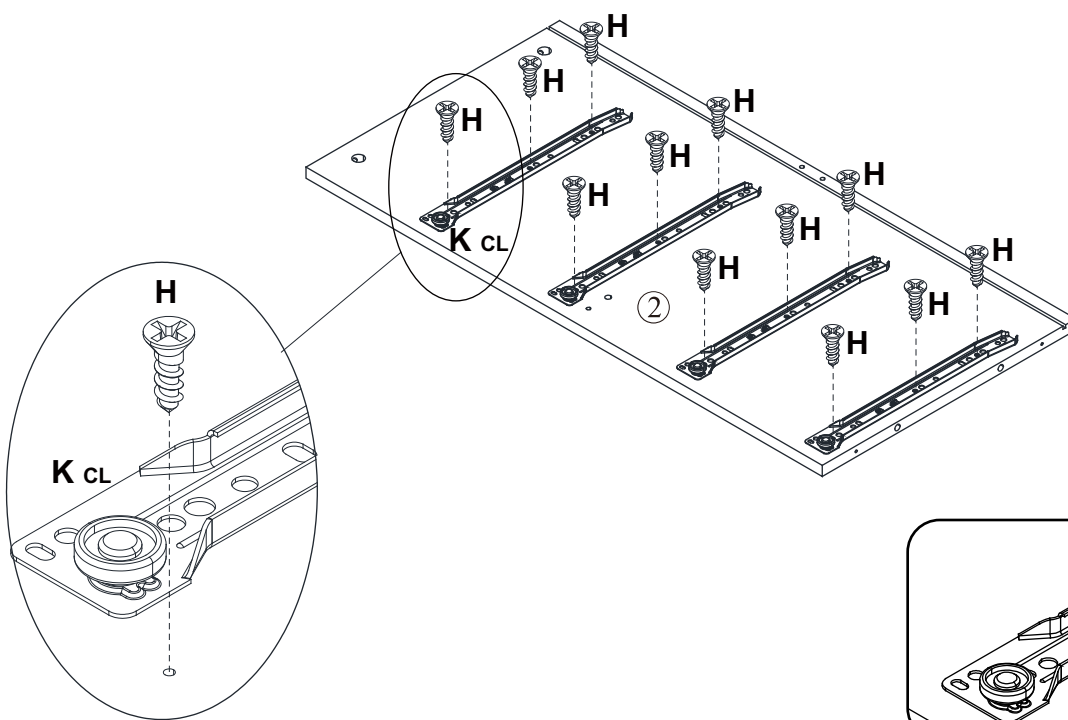
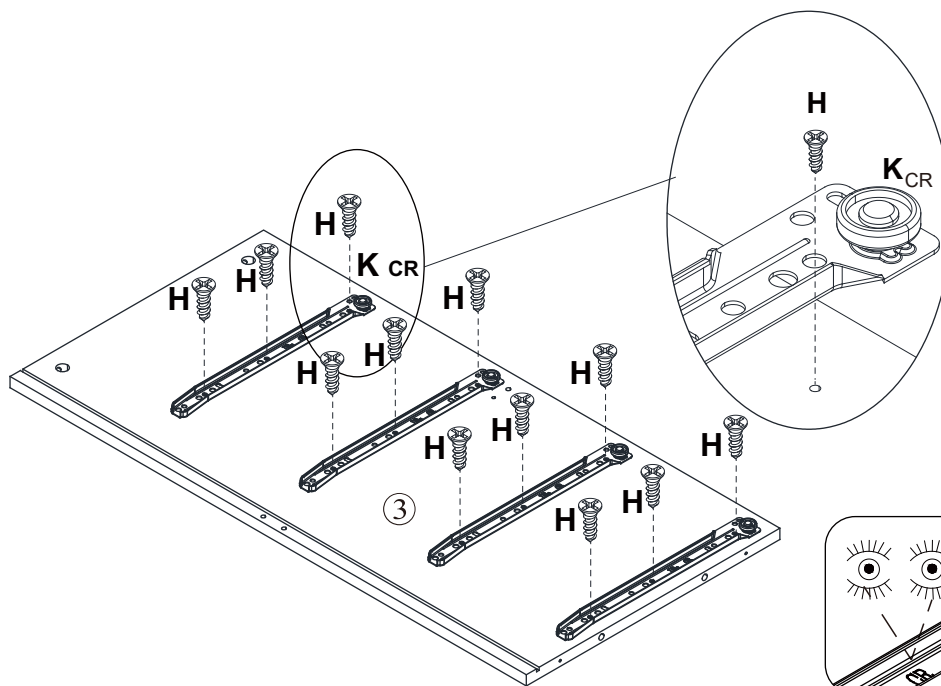
Code	Description	Qty
1	Cabinet Top	1
2	Left Side Panel	1
3	Right Side Panel	1
4	Bottom Panel	1
5	Back Stretcher	1
6	Back Panel	1
7	Leg	4
8	Drawer front	4
9	Left drawer side	4
10	Right drawer side	4
11	Drawer Back Panel	4
12	Drawer Bottom Panel	4
13	Drawer Central Stretcher	4
14	Vertical Stretcher	1



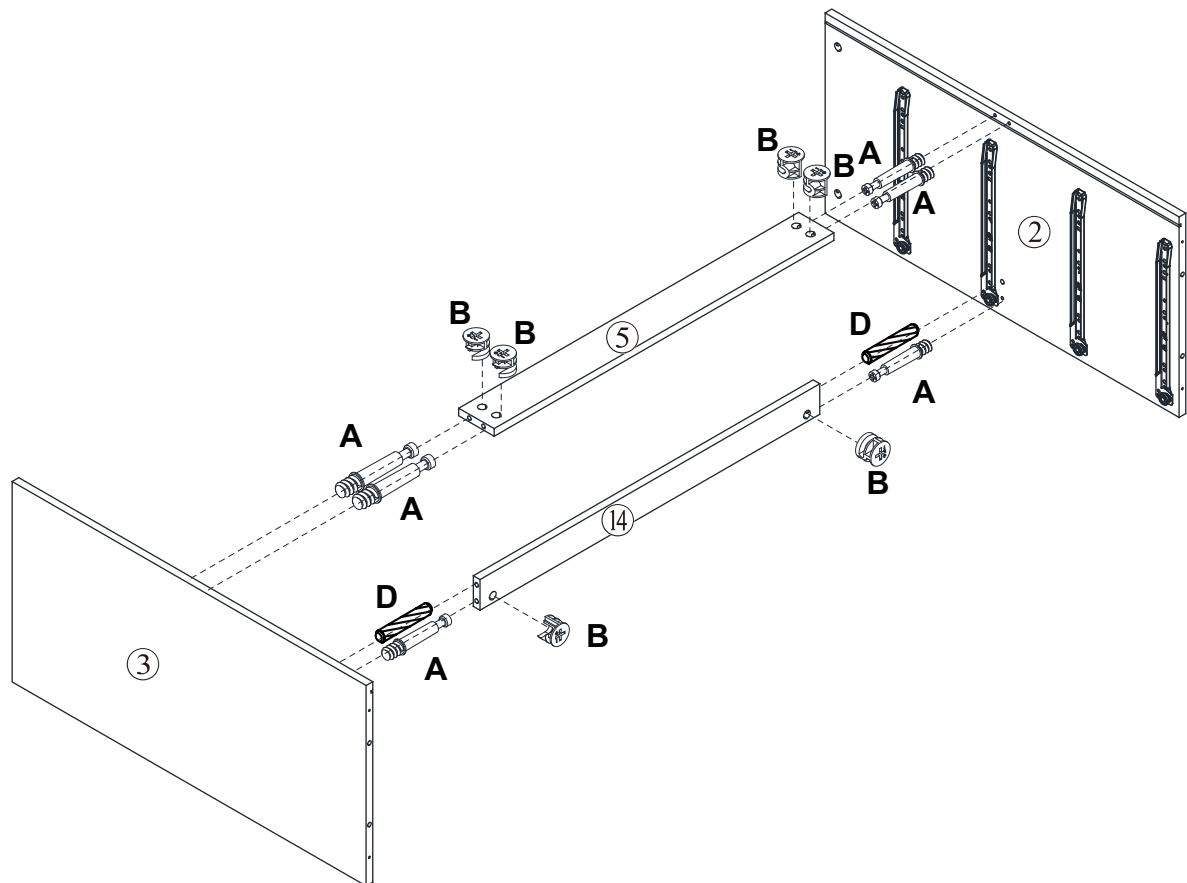
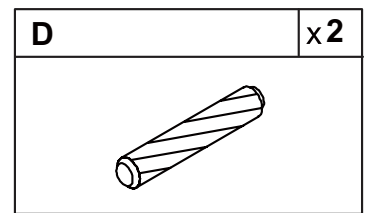
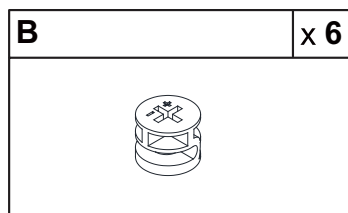
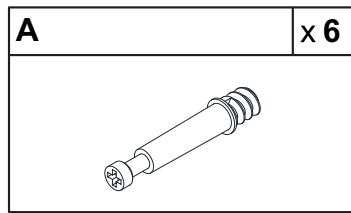
Step 1

H	x24
	

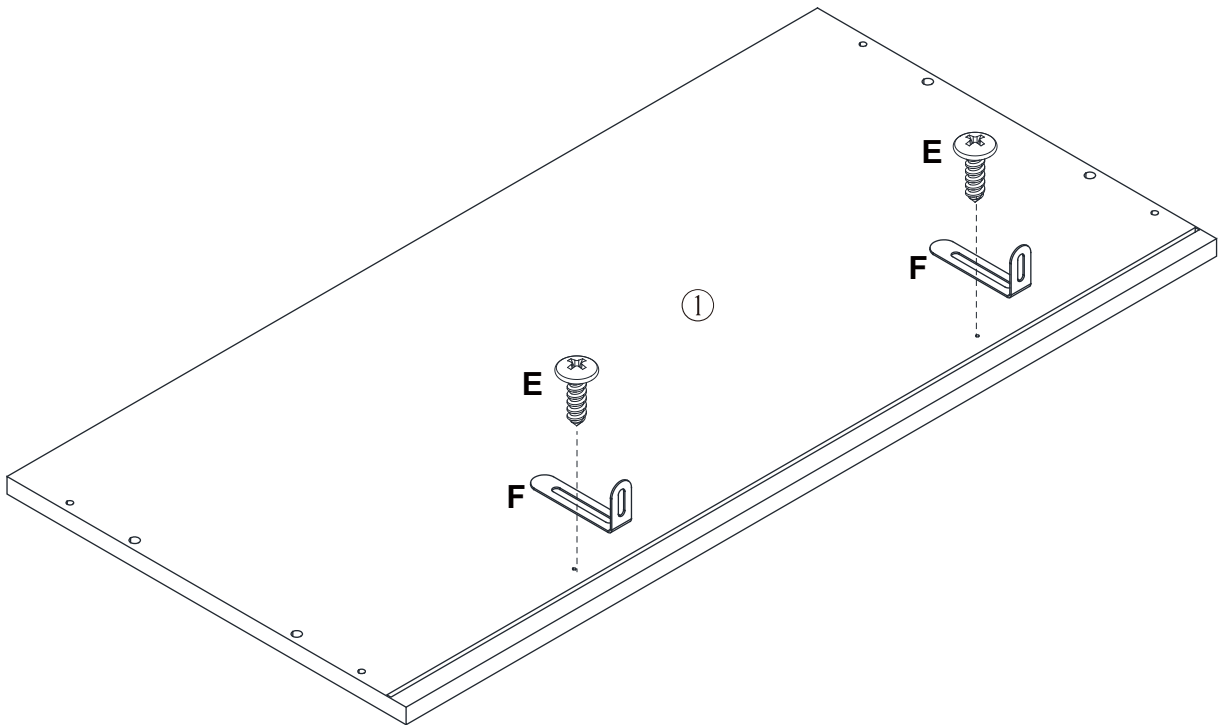
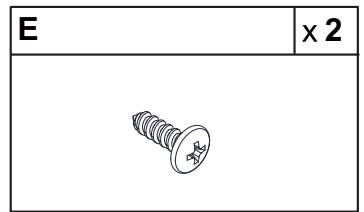
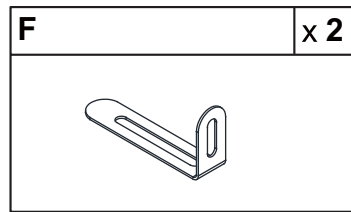
K	x4
 CL DL DR CR	



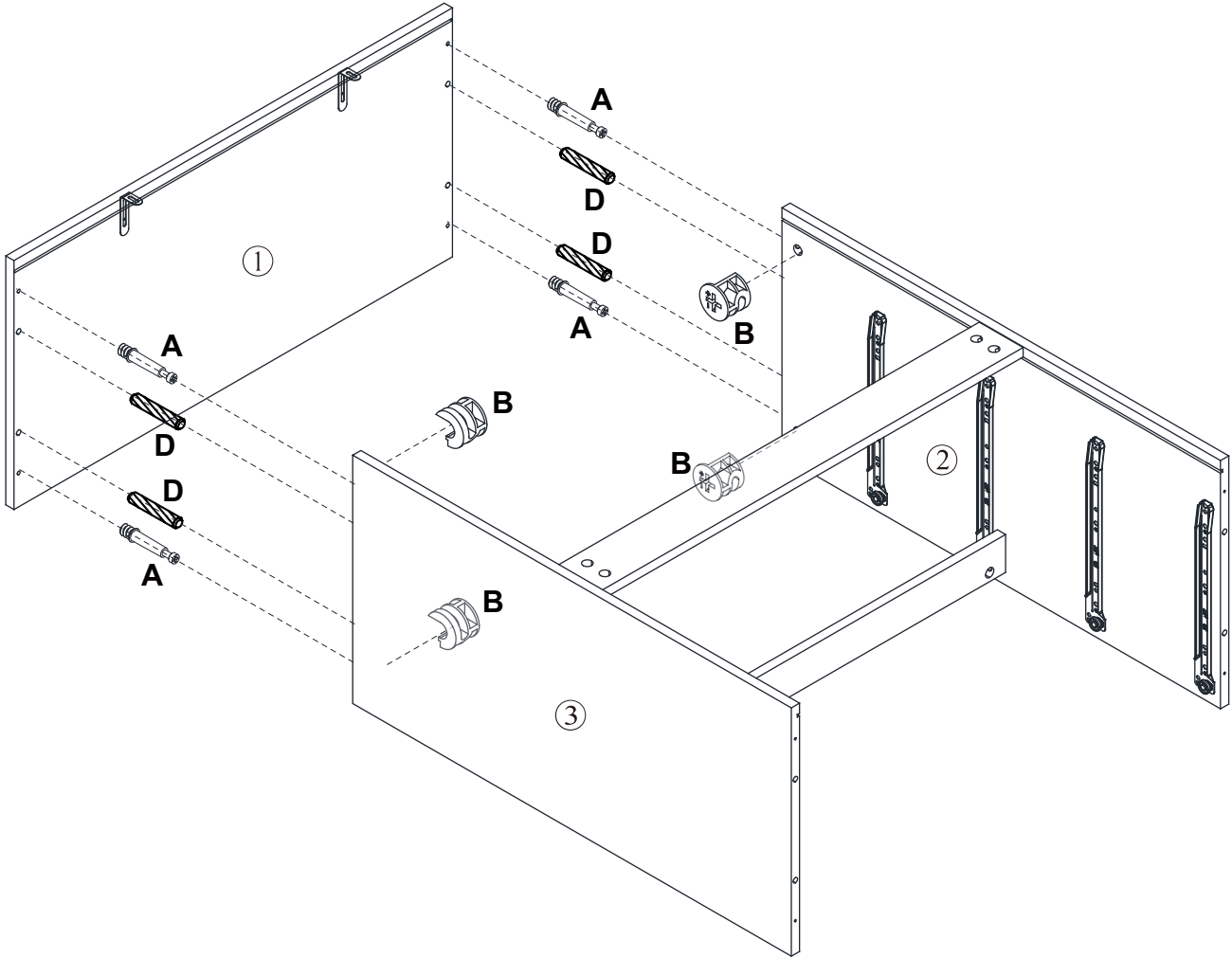
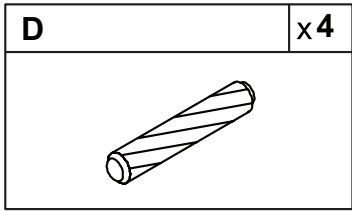
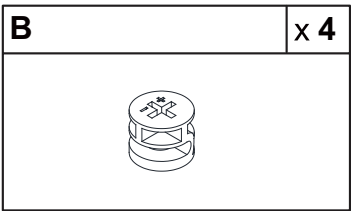
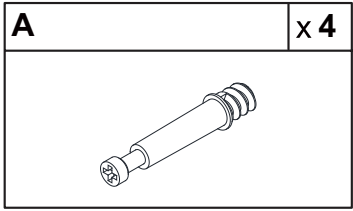
Step 2



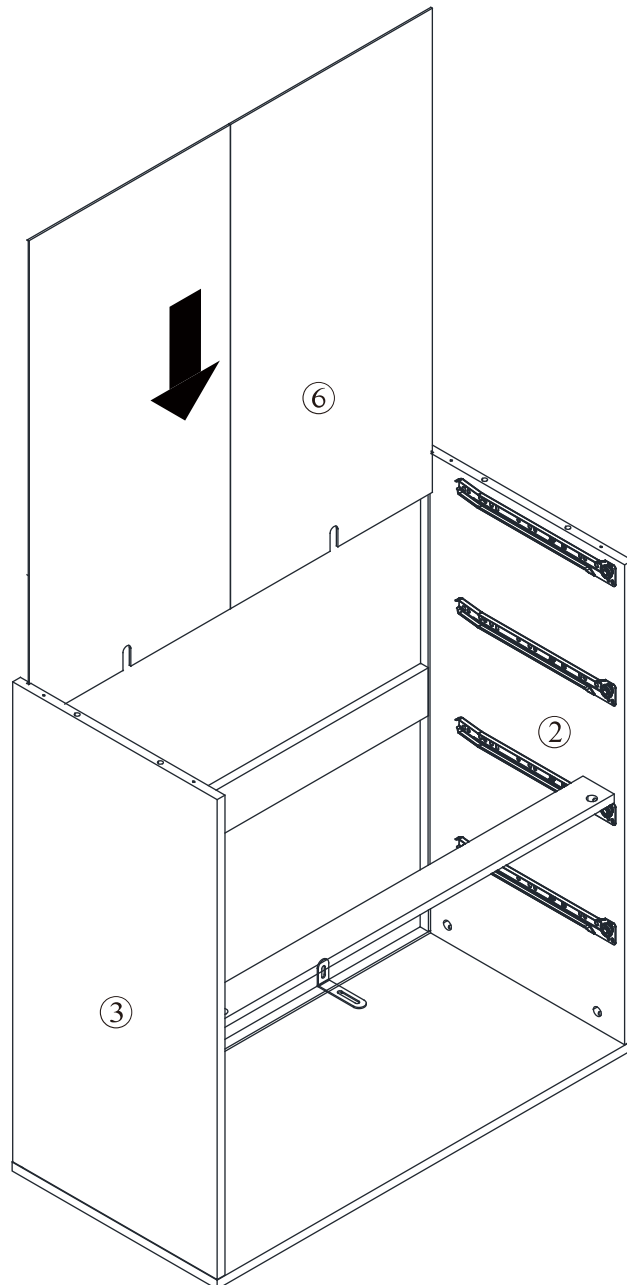
Step 3



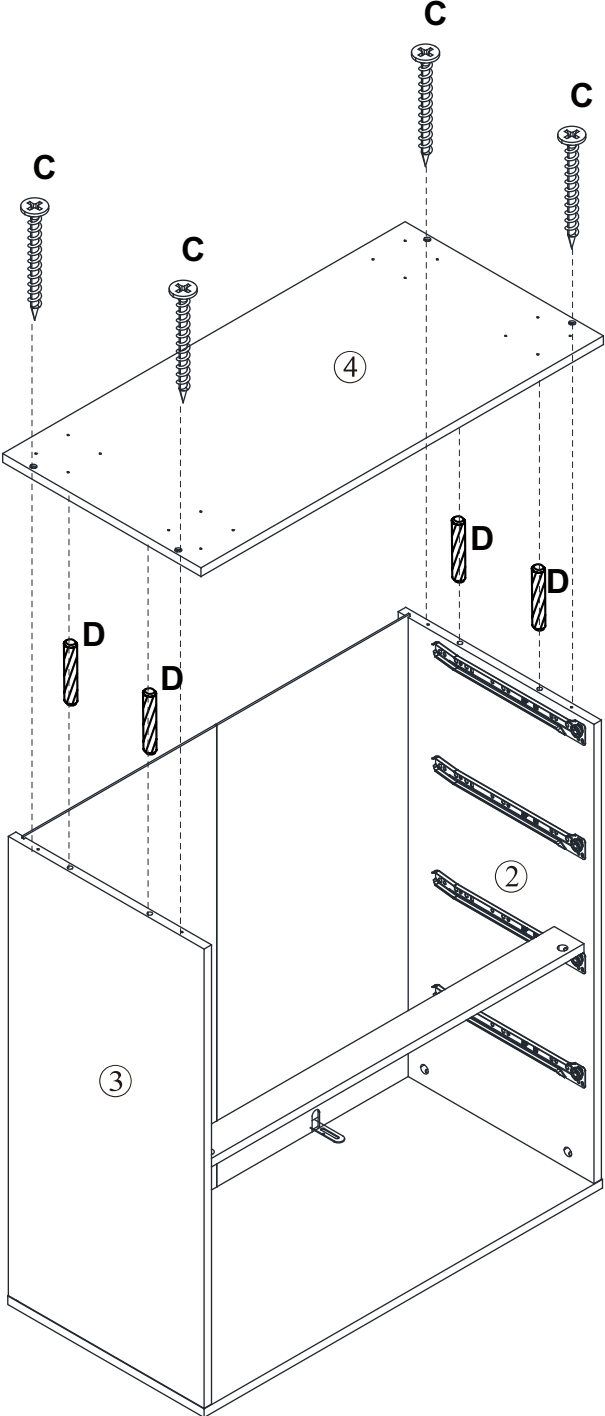
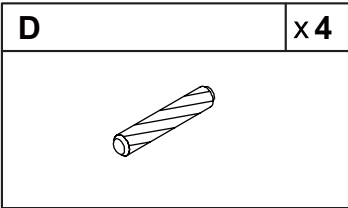
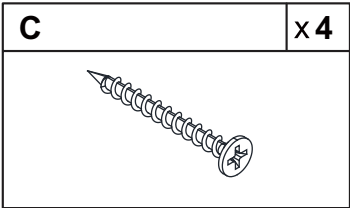
Step 4



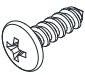
Step 5

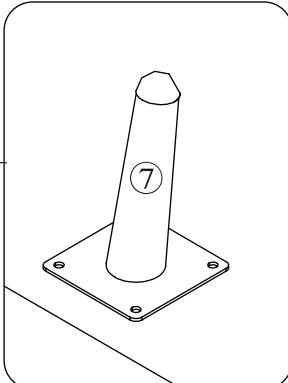
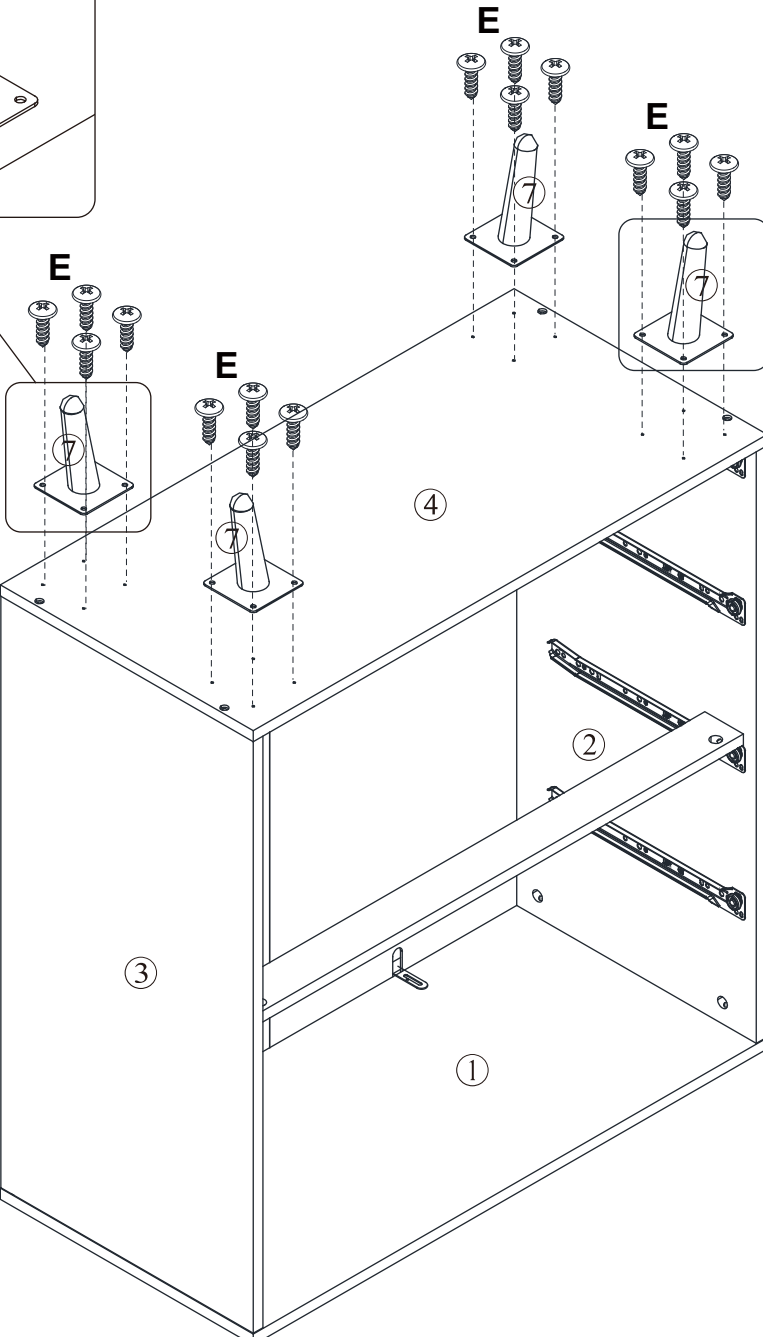
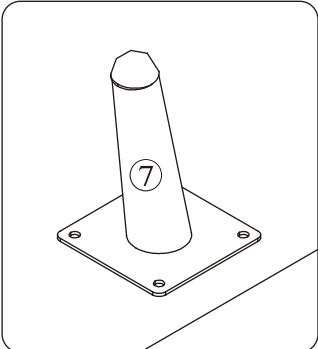


Step 6

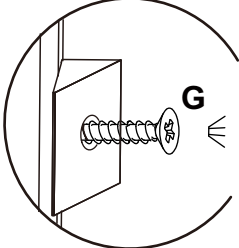
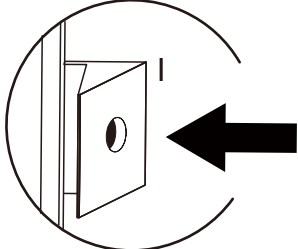
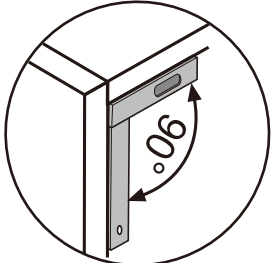
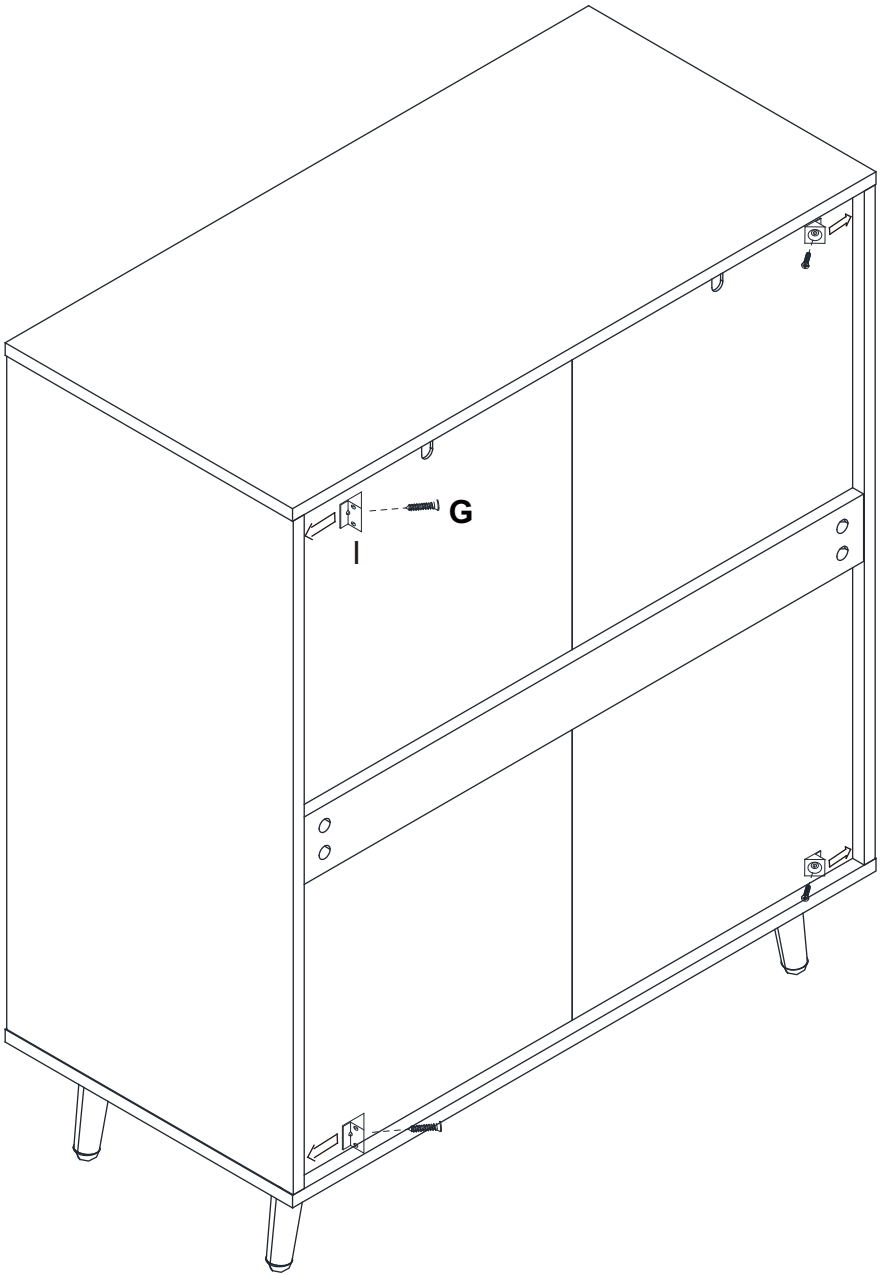
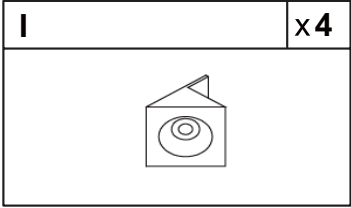
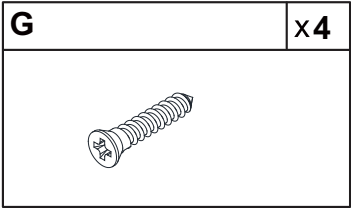


Step 7

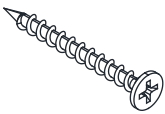
E	x16
	

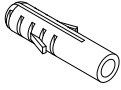


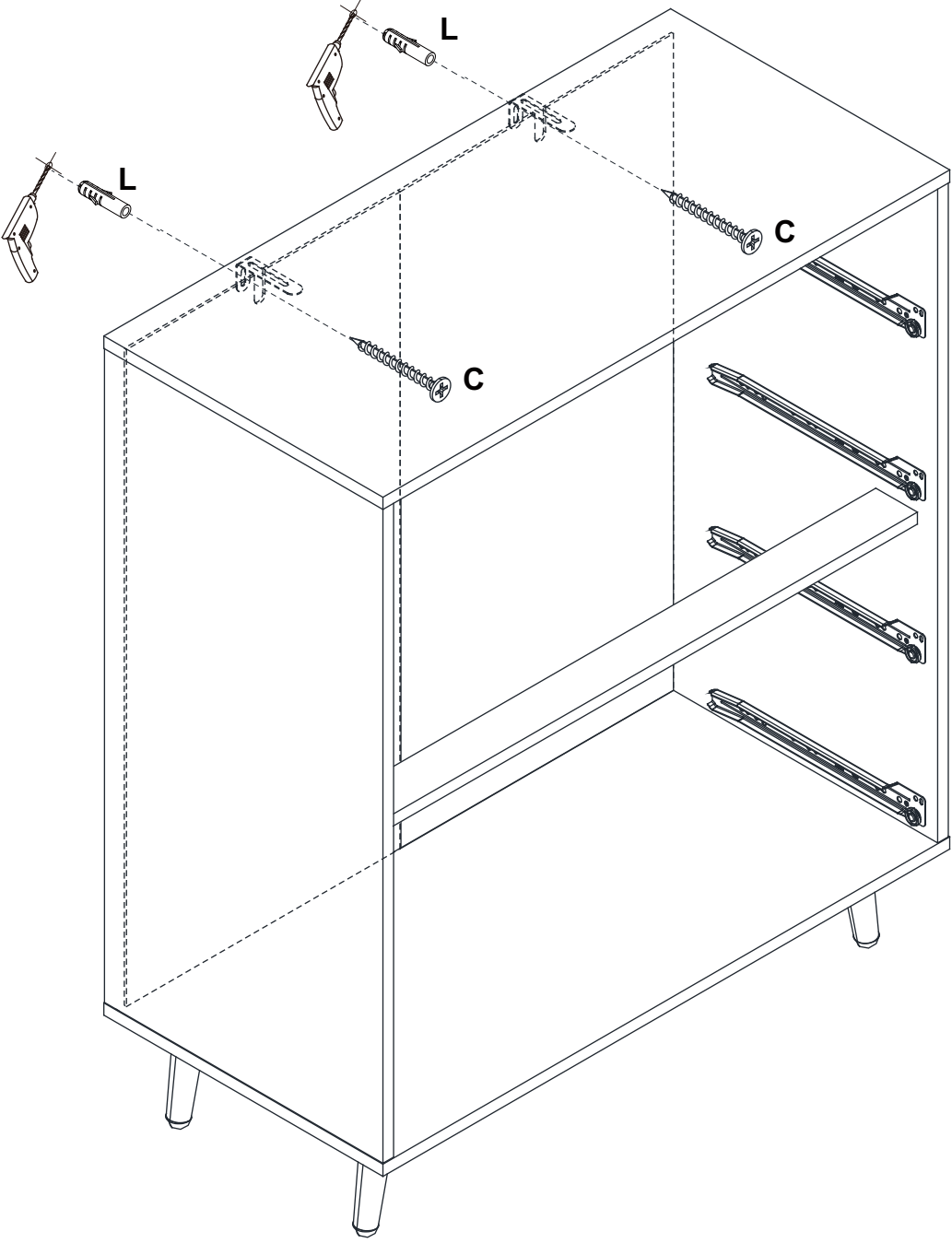
Step 8



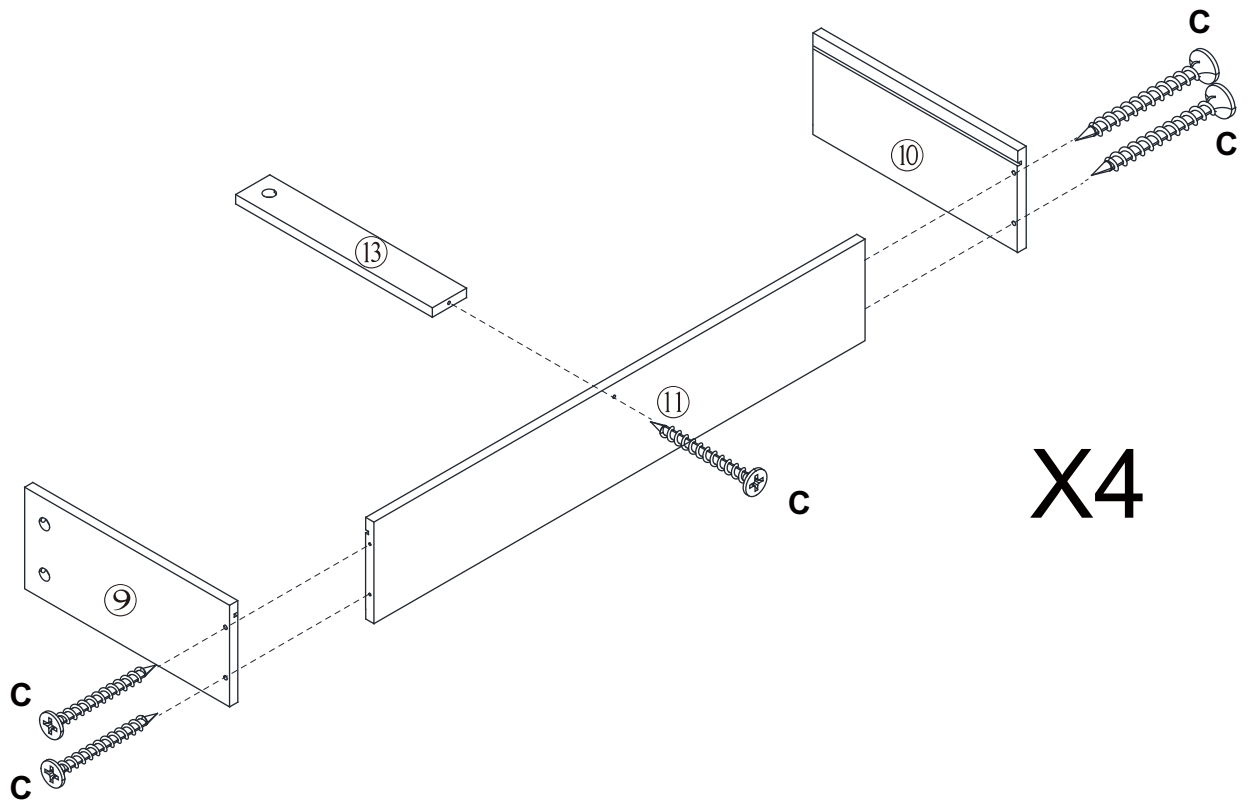
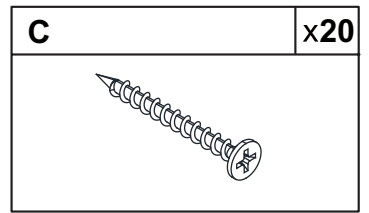
Step 9

C	x2
	

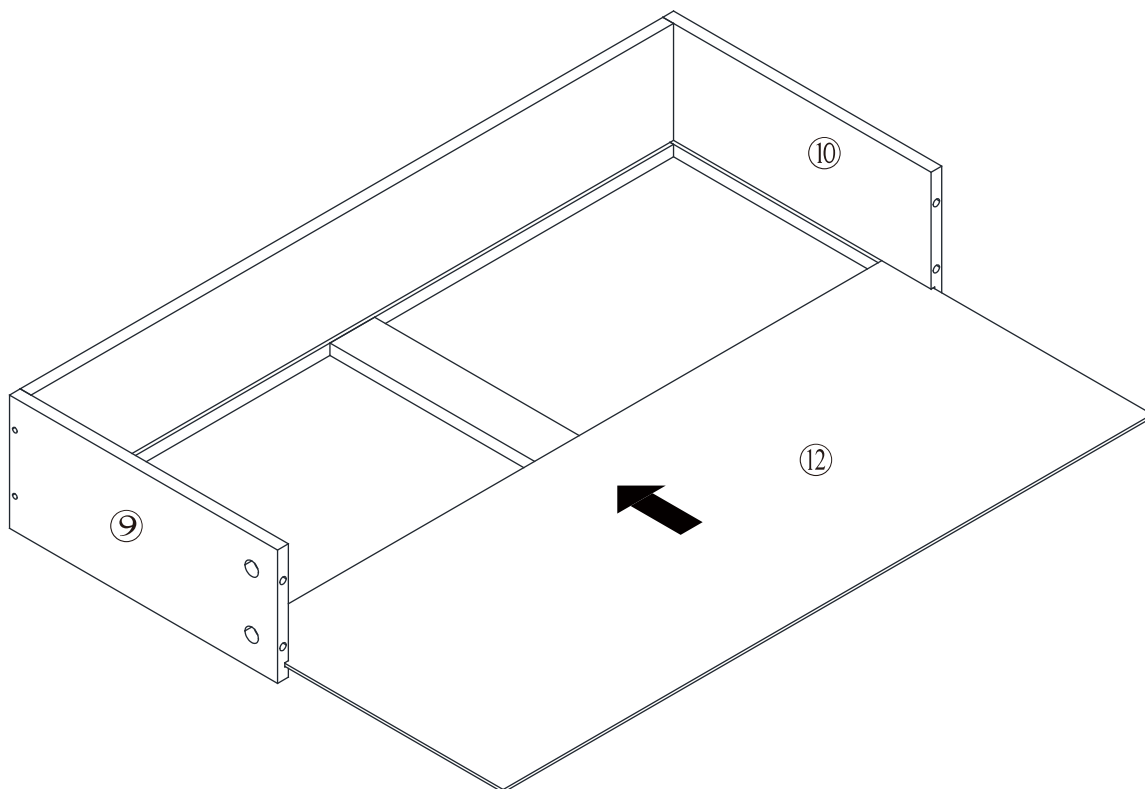
L	x2
	



Step 10

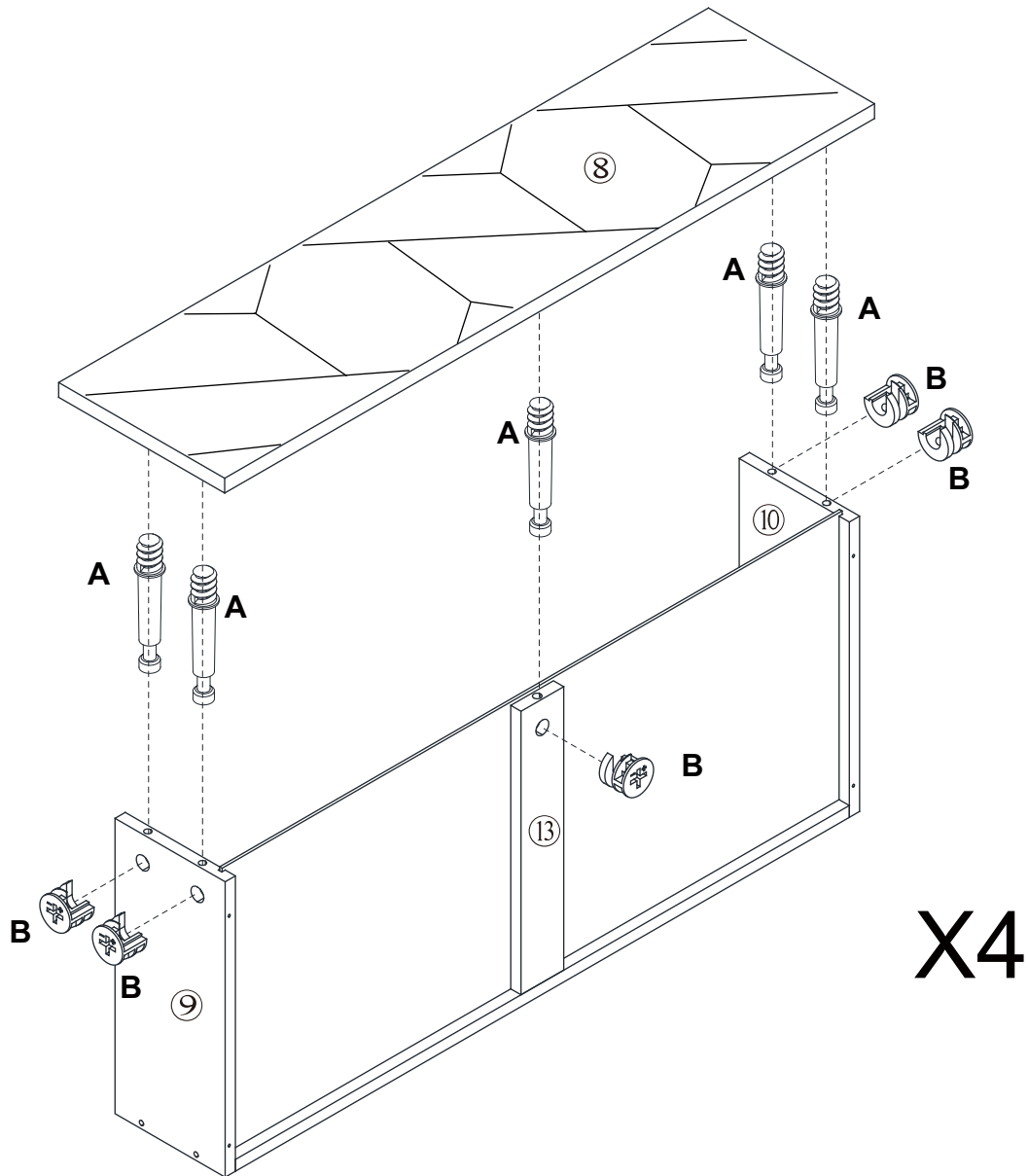
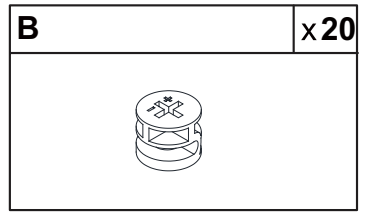
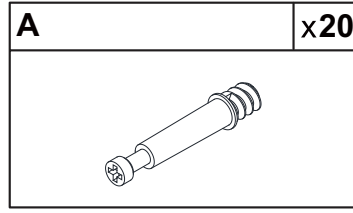


Step 11

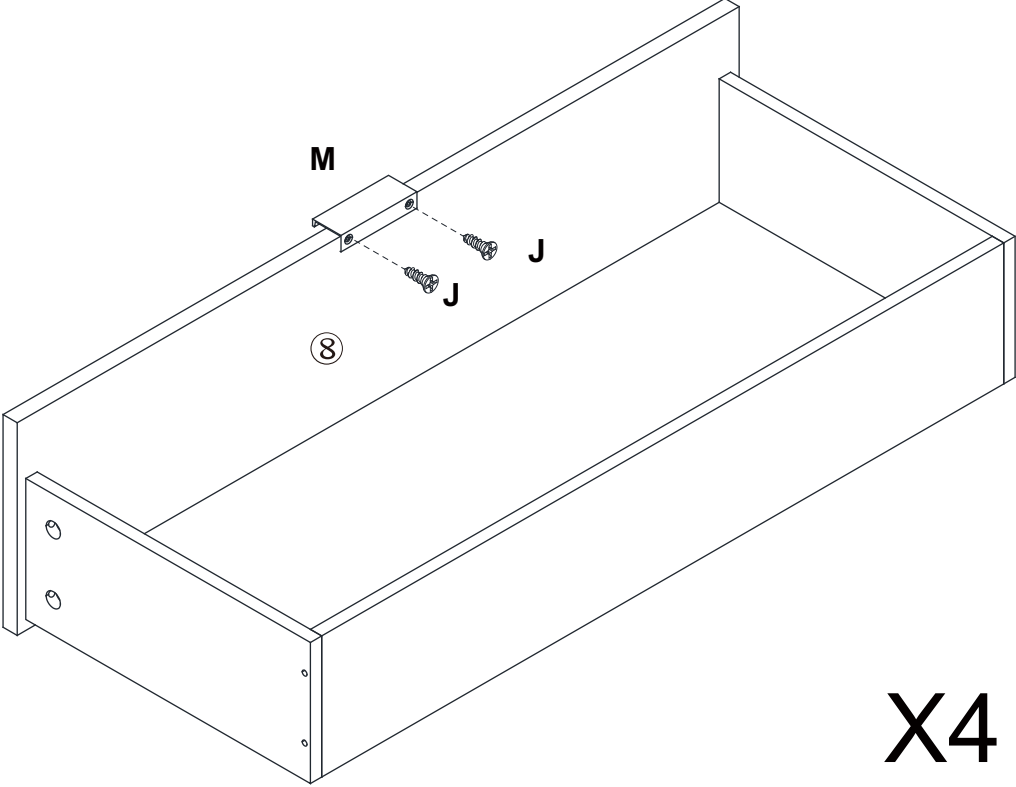
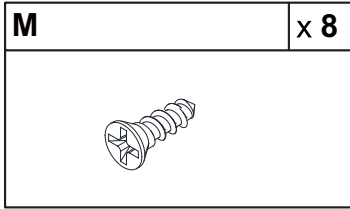
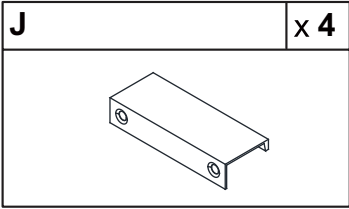


X4

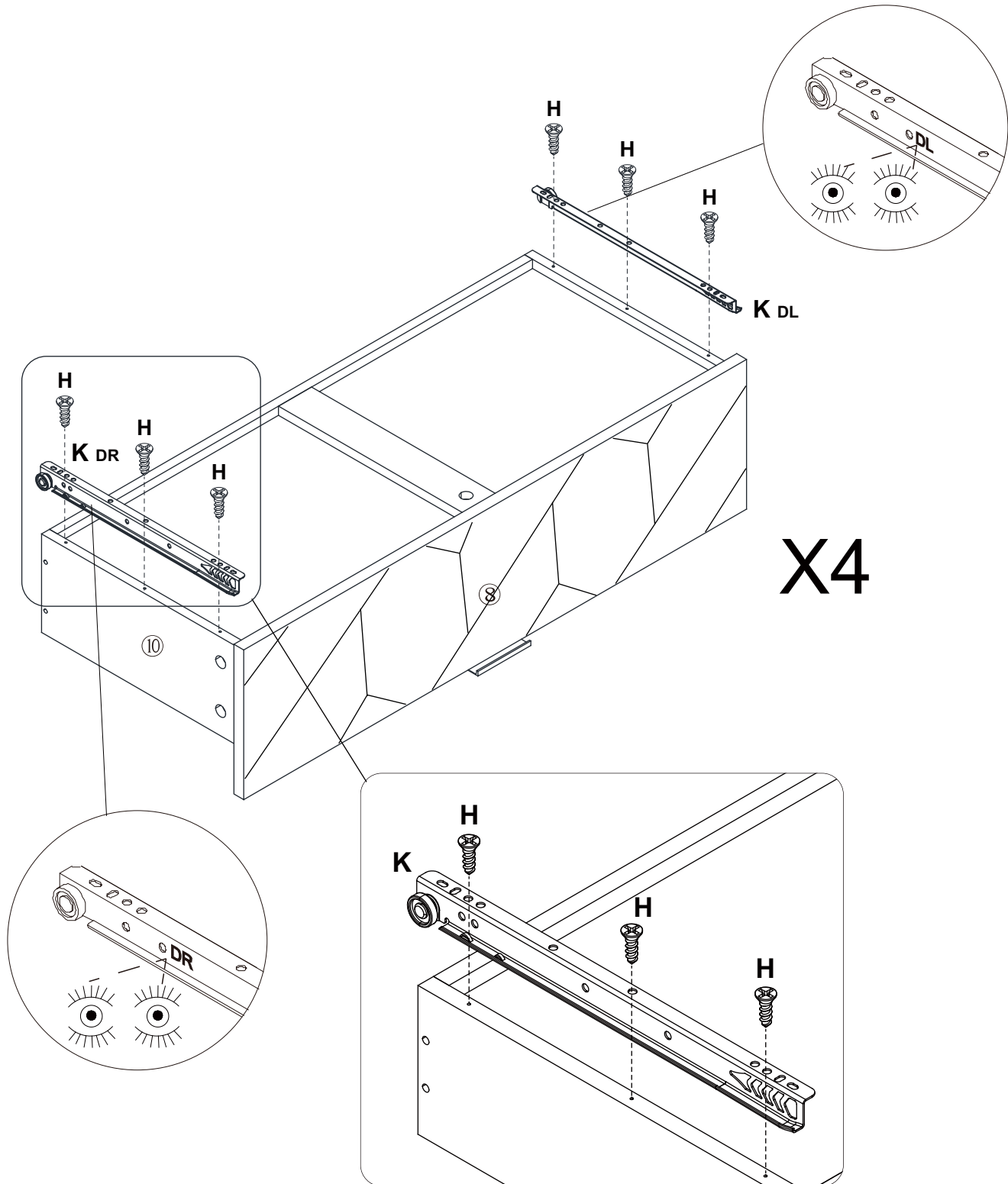
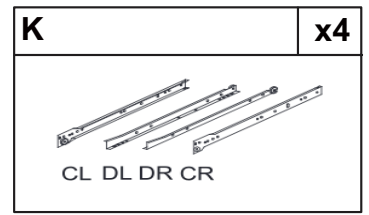
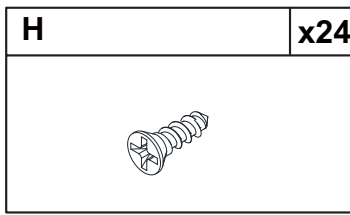
Step 12



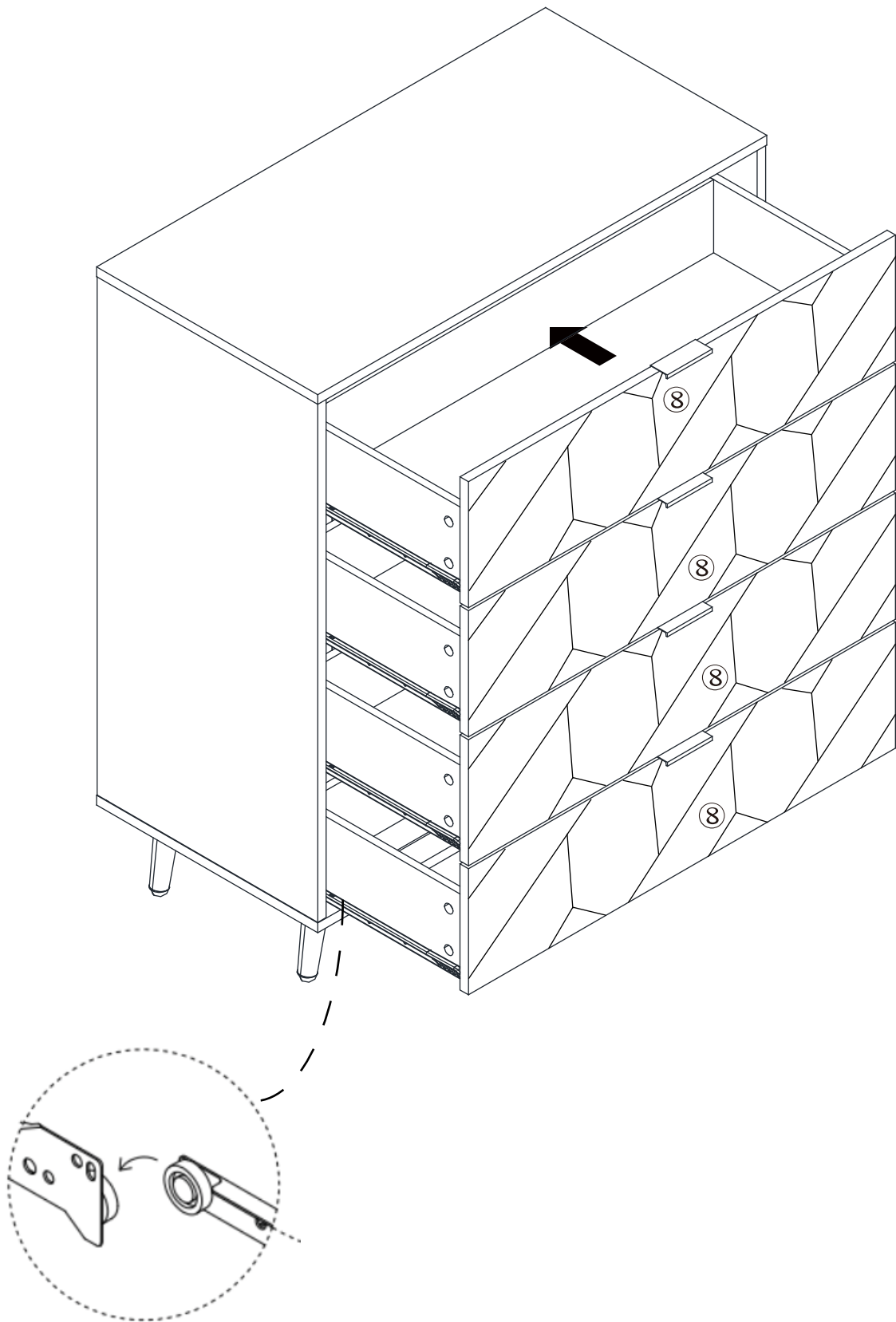
Step 13



Step 14



Step 15



Proper Use

- DO NOT** use for commercial purposes
- DO NOT** use as a step stool or stand on table
- DO NOT** put hot serving liquid directly on the table top
- DO NOT** leave spilled liquid on the table top
- DO NOT** use table if damaged
- DO NOT** exceed weight limit
- DO NOT** make temporary repairs
- DO NOT** use outdoor

Dear Customer:

Thank you for purchasing our product, we wish you satisfy our service, if you have any further questions or any quality issues, please show the belows number and don't hesitate to contact our Customer Service People.:

W688202212