

VEVOR[®]

TOUGH TOOLS, HALF PRICE

Technical Support and E-Warranty Certificate www.vevor.com/support

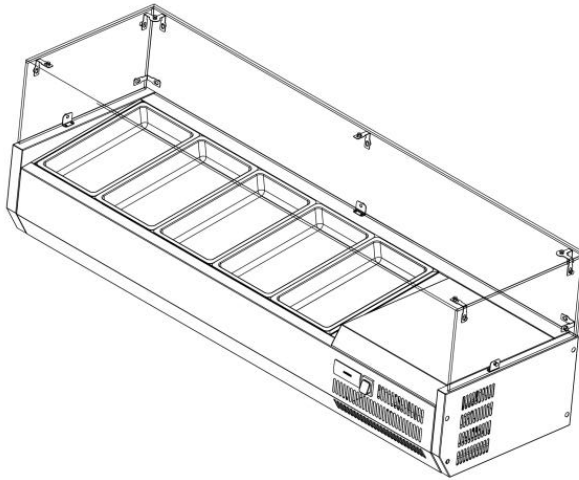
REFRIGERATED SEASONING TABLE

MODEL:E40TW、E48TW、E55TW、E60TW

We continue to be committed to provide you tools with competitive price.

"Save Half", "Half Price" or any other similar expressions used by us only represents an estimate of savings you might benefit from buying certain tools with us compared to the major top brands and does not necessarily mean to cover all categories of tools offered by us. You are kindly reminded to verify carefully when you are placing an order with us if you are actually saving half in comparison with the top major brands.

Model: E40TW、E48TW、E55TW、E60TW





NEED HELP? CONTACT US!

Have product questions? Need technical support? Please feel free to contact us:

Technical Support and E-Warranty Certificate
www.vevor.com/support

This is the original instruction, please read all manual instructions carefully before operating. VEVOR reserves a clear interpretation of our user manual. The appearance of the product shall be subject to the product you received. Please forgive us that we won't inform you again if there are any technology or software updates on our product.

	<p>Warning-To reduce the risk of injury, user must read instructions manual carefully.</p>
	<p>This product is subject to the provision of European Directive 2012/19/EC. The symbol showing a wheellie bin crossed through indicates that the product requires separate refuse collection in the European Union. This applies to the product and all accessories marked with this symbol. Products marked as such may not be discarded with normal domestic waste, but must be taken to a collection point for recycling electrical and electronic devices</p>

Content

- I . Main Technical Parameters**
- II . Cautions**
- III. Precautions for use**
- IV. Common faults and troubleshooting**
- V . Non-faults**
- VI. Electrical Schematic Diagram**
- VII. After-Sale Service**
- VIII. Appendix with Shipment**

Preface

Dear users:

1. Welcome to use Sushi FG showcase series manufactured by our company. It is designed for sites like various food, cuisine stores and hotels and mainly used for refrigeration and show of articles. The refrigeration temperature is 2°C below.
2. The product is designed scientifically and properly in structure, energy & electricity saving, clean and better fresh keeping with direct cooling structure design, featuring fast cooling and uniform temperature inside.

The glass case is made of closely lapped hot-bent safety glass sheet, thoroughly transparent. Product of this series features good-looking appearance, practicality, proper design, fast refrigeration, low power consumption, low noise, healthiness and uniform temperature.

3. All the materials, components and refrigeration units for the products are from internationally professional famous brand manufacturer in order to ensure their quality.

4. The product adopts direct cooling copper tube polyurethane integral foam, safe, electricity saving, nice-looking, widely applied and making the counter face temperature more uniform.

5. This product has humanized design and increases the display function of the commodities. It is nice and decent so that it plays a certain adornment effect in using occasions.

6. The executive components of refrigeration system and the controlling components of electrical equipment are abroad brand-name products, so as to ensure the operation of the product is stable and reliable. The reasonable system design improves the heat exchanging efficiency. Thus the cooling inside the cabinet is faster and the temperature is lower, and it is more energy-efficient.

In order to use our product better and prolong the service life of it, please carefully read the operation manual of this product before using.

I . Main Technical Parameters

Model	Storage temperature	voltage/ frequency	Input total power	Refrigerant	Dimensions (length× width× height mm)	Net weight (kg)
E40T W	35-46°F	115V 60Hz	130W	R290	955*404*45 0	33
E48T W			135W		1130*404*4 50	36.5

E55T W			140W		1305*404*4 50	40.5
E60T W			150W		1480*404*4 50	44.5

II . Cautions

1. Must use separate single-phase triple-pole power socket with the socket earth port (E) reliably earthed. Note: do not take running water or gas pipe as the earthing terminal. Or once electric system has troubles, there will be no earthing protection, which will threaten personal and property safety. Remember that our company will not bear any responsibilities for accidents and losses caused by electric damage due to non-compliance with the abovementioned requirement when operating and using.
2. Do not directly put the power line on the passage. There should be a trough plate with certain strength for shielding or groove with cover plate to avoid damage from heavy load and sharp tools.
3. Never put hazards which are volatile, corrosive, radioactive, flammable, explosive, poisonous and polluting the food in the cabinet.
4. Do remember to cut off the power before cleaning the product or changing lamp. Do not rinse it in case of electrical appliance being affected with damp, soaking or having other accidents.
5. Once the product has electric and refrigeration system troubles, non-professional electricians and personnel without sufficient refrigeration technology and rich experience shall not randomly fiddle with, disassemble and repair it in case of causing more serious accidents and even danger, which will lead to more losses.

III. Precautions for use

1. Push and place gently when carrying with inclination not exceeding 45 degrees.
2. The product should be placed in the area which is ventilated, cool, dry,

kept away from heat and dust. Direct sun exposure should be avoided in case of affecting refrigeration effect and the ground should be even and firm. Distance of the cabinet's periphery from walls and other objects should be no less than 10 cm in order to ensure good radiating of condenser. The showcase should be put in specified area in order to prevent displacement due to external force

3. The showcase should be operating for a period of time to confirm the refrigeration system in normal condition before use at each time. After the temperature inside is reduced to normal one, food can be put into refrigeration tray for refrigeration.

4. Do not put too much over hot food in the showcase's surface in case of generating over charge instantaneously.

5. For long-term discontinuation, take internal and external cleaning well for the product. Then dry and place it in dry, cool ventilated place, and frequently check to beware the rats. When restarting the equipment, strictly check the electrical lines to see that whether be bit and damaged by the rats. After strict inspection and making sure, the equipment can be restarted to use.

6. Non-professionals shall not randomly open and replace members, electrical elements in the freezer and refrigeration units.

7. Ask professional maintenance personnel to replace damaged power line to avoid danger.

8. If you cannot repair the failure by yourself, please ask for professional personnel to work out in a timely manner, or inform our technical personnel to repair the failure.

IV. Common Faults and Troubleshooting

If you think the product has troubles, just check and do troubleshooting as per following form. If still fails, please contact our company or sales department. Non-professionals should not randomly dismantle and maintain product structures, electrical elements and refrigeration system. Check and troubleshooting must be done by professional technicians or

accident will be easily caused, leading to bigger losses. Once the product is found to be electrified, please cut off power immediately and then ask professionals for check and repair.

Common Troubleshooting

Faults	Fault Causes	Scope of Examination	Troubleshooting
Compress or not working	Power off	Check by multimeter	Switch on
	Plug loose	Check	Plug in tightly
	Starter relay socket loose	Dismount shroud for check	Plug the pin tightly
Over high temperature Inside the showcase	The storied goods are too much inside the showcase.		Reduce food
	Ambient temperature too high	Test by thermometer	Change ambient temperature
Too loud noise	The showcase is not placed stable.	Check	Placed stable
	Fan and compressor castors footing loose	Check	Fasten the footing screws

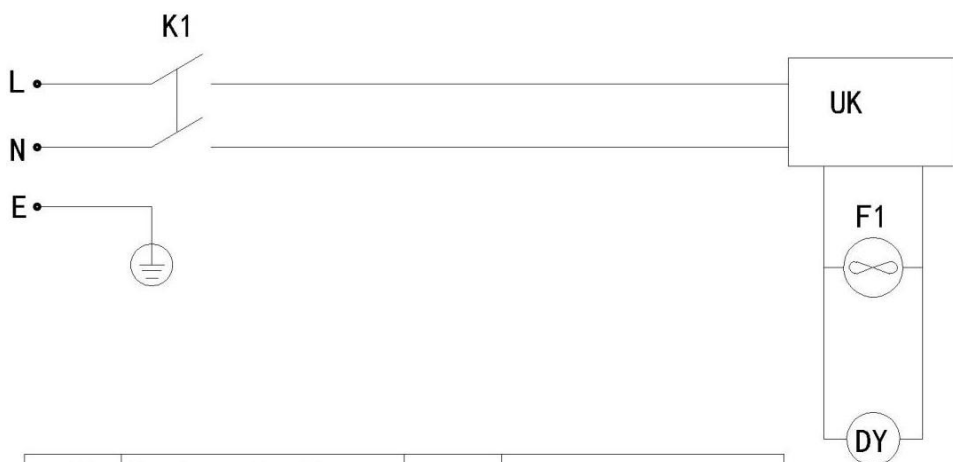
V. Non-faults

1. When the compressor operates, the surface will be hot. In normal compressor operation, the surface temperature will be high. This is normal phenomenon. Do not touch with hands.
2. There is moisture condensation on the glass surface. With high environment temperature and humidity, it is easy for dewdrop to appear on

the external surface of the glass. Please wipe it dry timely using soft dry cloth or start heating wire demisting function.

3. The room temperature is lower than the controlling temperature of the temperature controller so that the compressor breaks down. Because the room temperature is lower than the temperature of the temperature controller, so the data collected by the temperature sensor is not enough to start the compressor.

VI Electrical schematic diagrams



F1	Condensating Fan	UK	Digital Thermostat
DY	Compressor	K1	Switch

VII. After-Sale Service

On the condition that user follows the user manual, the product will have one-year warranty since the delivery date and our company will be responsible for replacement and repair of the damaged components caused by poor quality during the period (glass damage excluded).

Proper fees will be charged after repairing damaged products caused by following reasons:

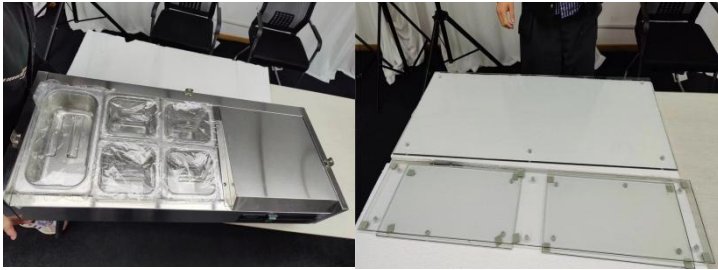
1. Not follow user manual.

2. Randomly use unmatched components for replacement.
3. Voltage fluctuation value exceeds permissible scope or other natural factors.

VIII. Appendix with Shipment

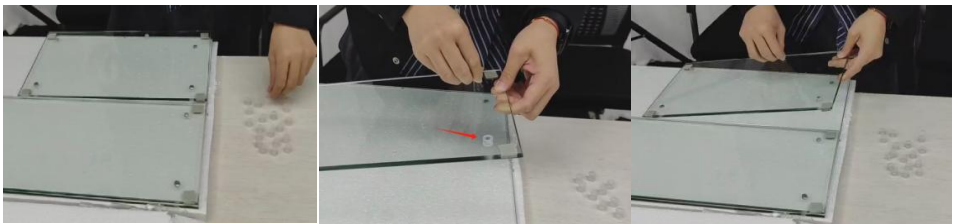
1. 1 product instruction.
2. 1 quality certificate and warranty card.

This is a brief tutorial on assembling glass products. The following is a detailed explanation of each step:



Step 1: Insert Screw Damping Rings

Ensure that the screw damping rings are inserted into the glass holes, maintaining a flat surface with the glass to avoid any unnecessary compression or damage. Ensure the quality and size of the screw damping rings are suitable for the screws being used.



Step 2: Install Side Glasses

When installing the side glasses, make sure to use screws and nuts of appropriate size and quality for a secure installation. Gradually apply

pressure when tightening the screws to avoid over-tightening and potential glass breakage.



Step 3: Install Back Long Glass

Align the back long glass with the housing and the side glasses, ensuring a complete alignment. When securing with screws, apply moderate pressure, making sure not to cause any unnecessary pressure on the glass.



Step 4: Install Glass Fixing Clips

When installing the glass fixing clips, ensure they are securely fixed in their respective positions. Check each fixing clip for stability to ensure effective maintenance of the glass's stable connection.



Step 5: Install Top Glass

When installing the top glass, once again, ensure it aligns perfectly with the

back glass and side glasses. Gradually apply pressure using the provided screws for the final fixation, ensuring a safe and stable attachment.



After completing the assembly, it is recommended to perform the following checks:

Inspect the tightness of all screws to ensure they are secure.

Verify the alignment between all layers of glass to ensure a neat appearance.

Clean the product surface to remove any dirt or fingerprints, maintaining a flawless appearance.

Following these suggestions will help ensure the successful assembly of the glass-paneled refrigerated seasoning station, providing a safe, stable, and aesthetically pleasing product.



Made In China

VEVOR[®]

TOUGH TOOLS, HALF PRICE

Technical Support and E-Warranty Certificate

www.vevor.com/support