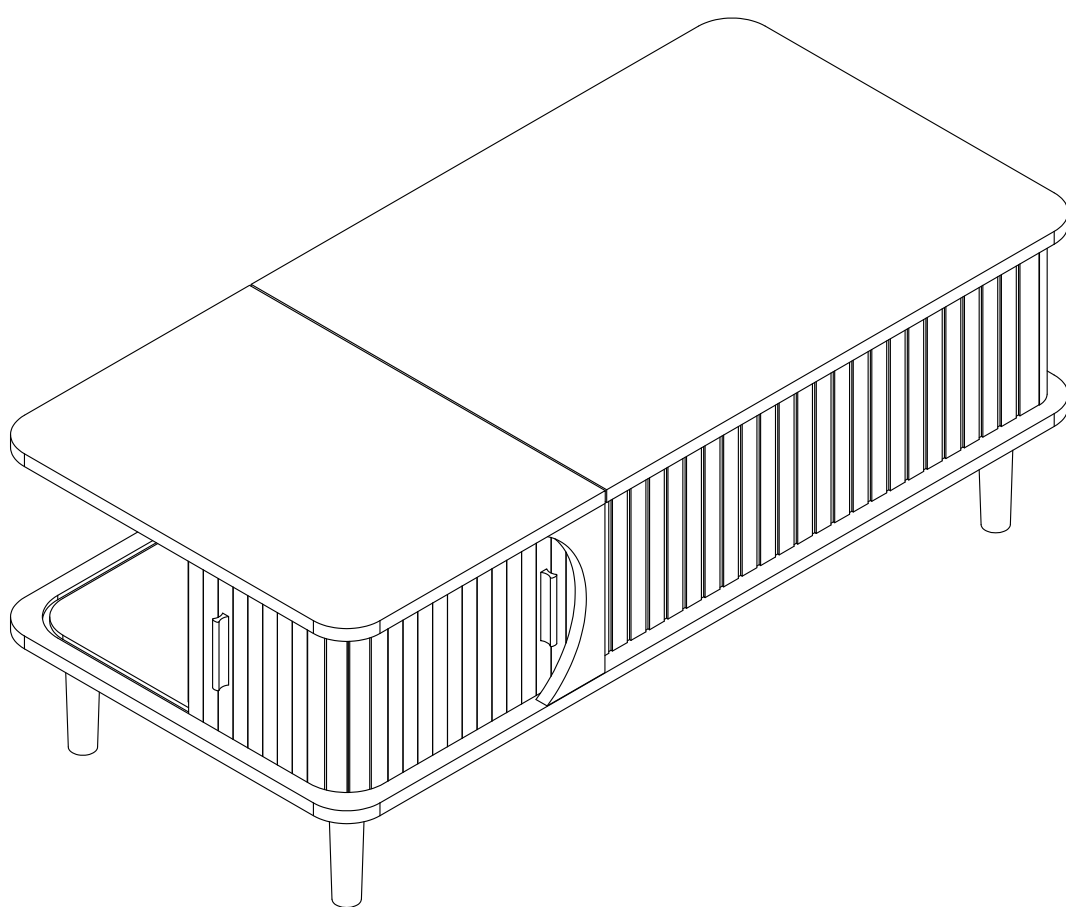
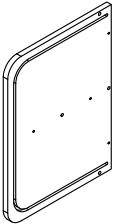
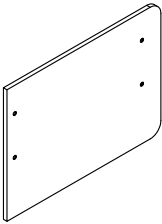
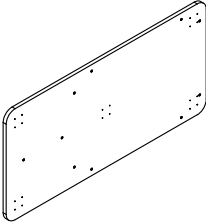
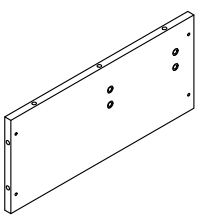
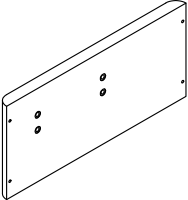
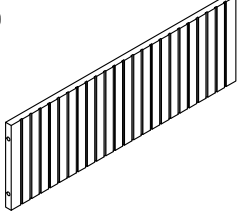
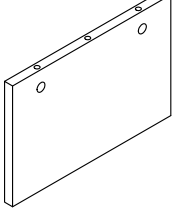
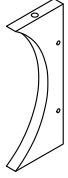
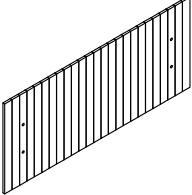


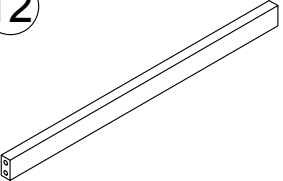





# Assembly Instruction





<p>①</p> 	<p>②</p> 	<p>③</p> 	<p>④</p> 
<p>1PC</p>	<p>1PC</p>	<p>1PC</p>	<p>1PC</p>
<p>⑤</p> 	<p>⑥</p> 	<p>⑦</p> 	<p>⑧</p> 
<p>1PC</p>	<p>2PCS</p>	<p>1PC</p>	<p>2PCS</p>
<p>⑨</p> 	<p>⑩</p> 	<p>⑪</p> 	<p>⑫</p> 
<p>1PC</p>	<p>4PCS</p>	<p>1PC</p>	<p>1PC</p>


<b>A</b>	X16
	
M6x35mm	


<b>B</b>	X16
	
Ø15x9mm	


<b>C</b>	X20
	
M4x14mm	

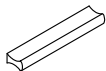
<b>D</b>	X12
	
M6x12mm	

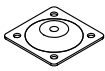
<b>E</b>	X1
	
4mm	


<b>F</b>	X10
	
M5x40mm	


<b>G</b>	X11
	
Ø8x30mm	


<b>H</b>	X4
	
M4x8mm	

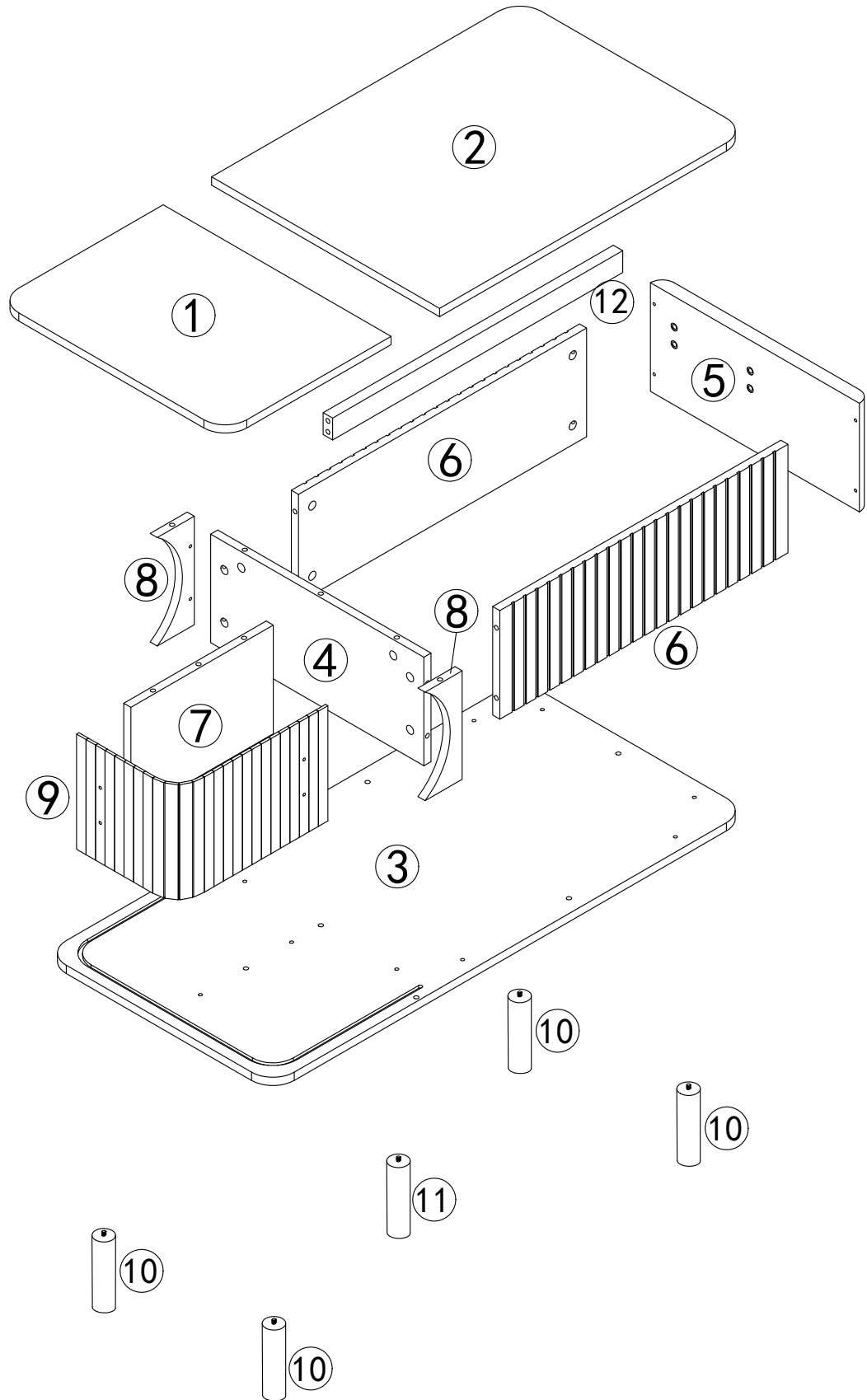
<b>I</b>	X2
	

<b>J</b>	X5
	

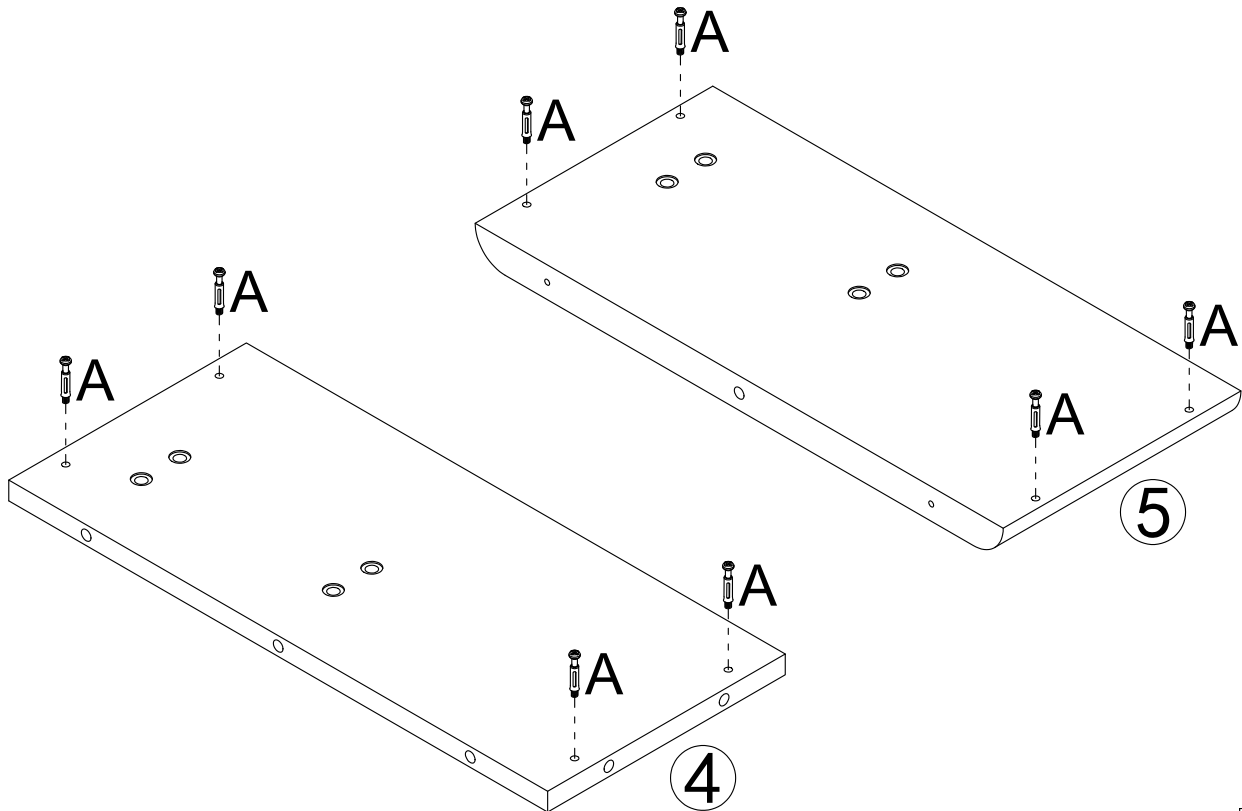
<b>K</b>	X2
	


<b>M</b>	X1
	
M6x20mm	

<b>N</b>	X4
	
M6x22mm	

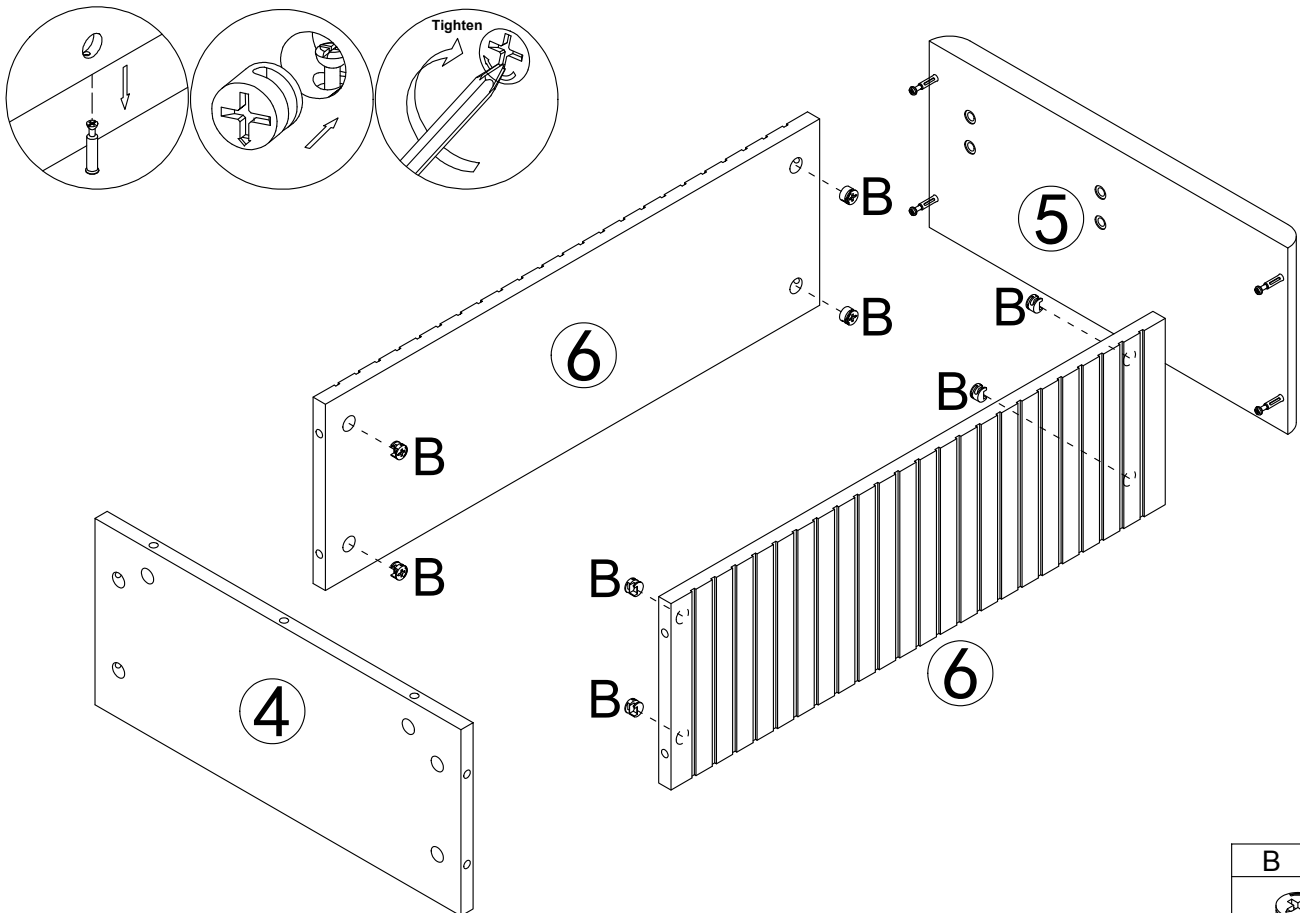



1



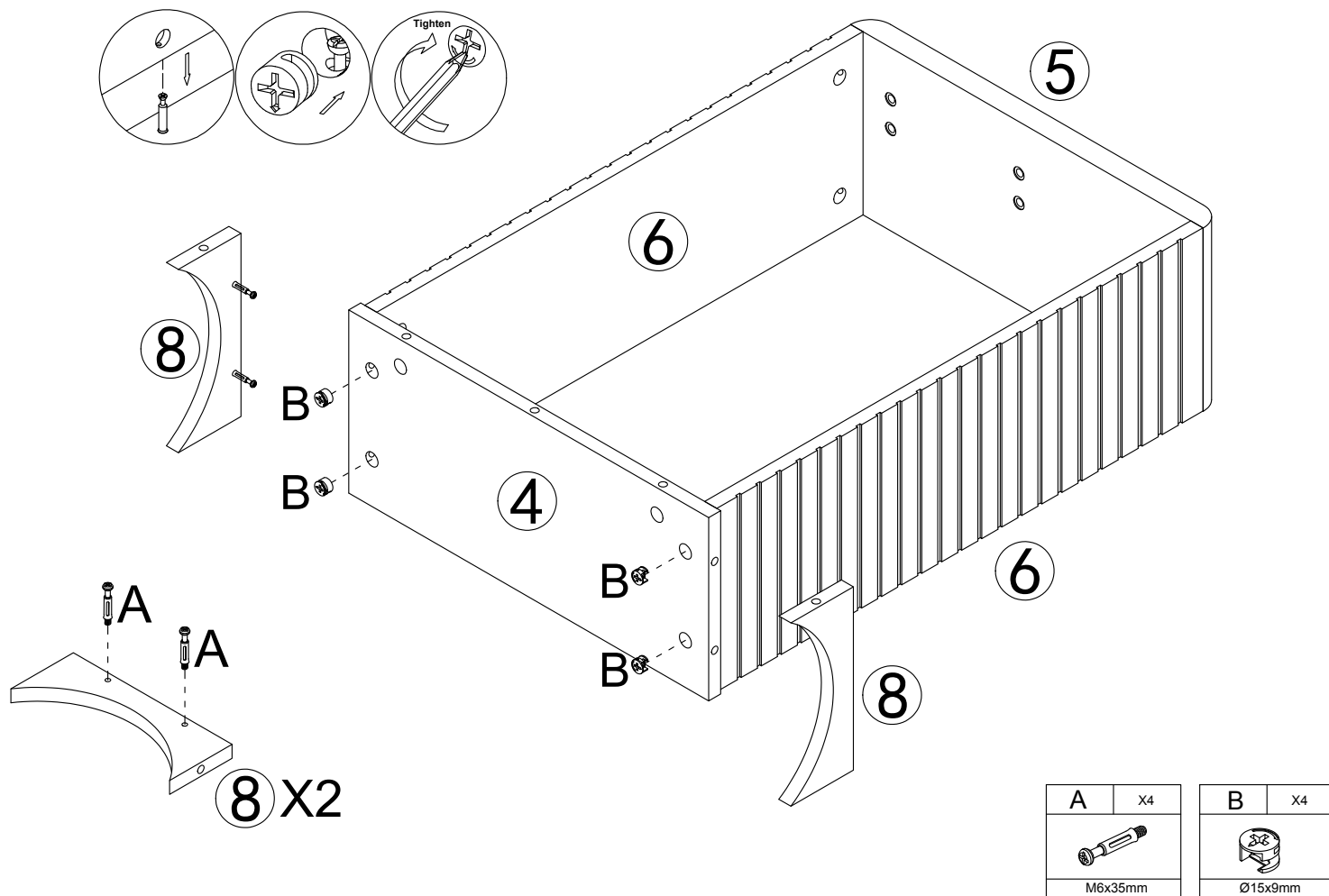
A	X8
	
M6x35mm	

2

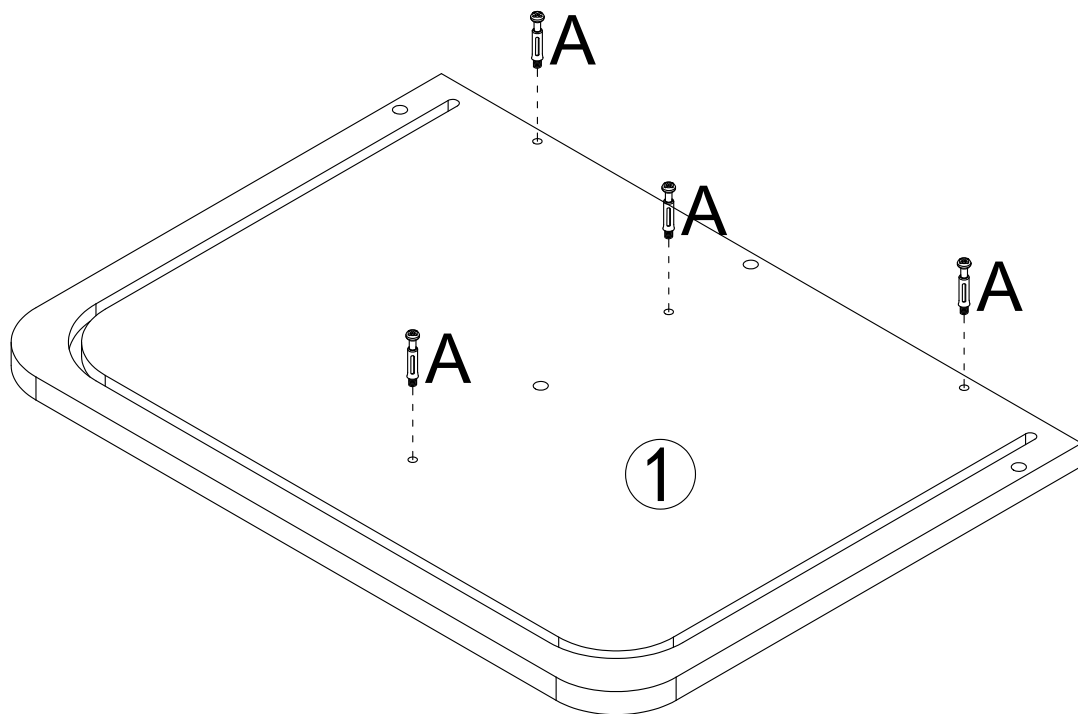



B	X8
	
Ø15x9mm	

3

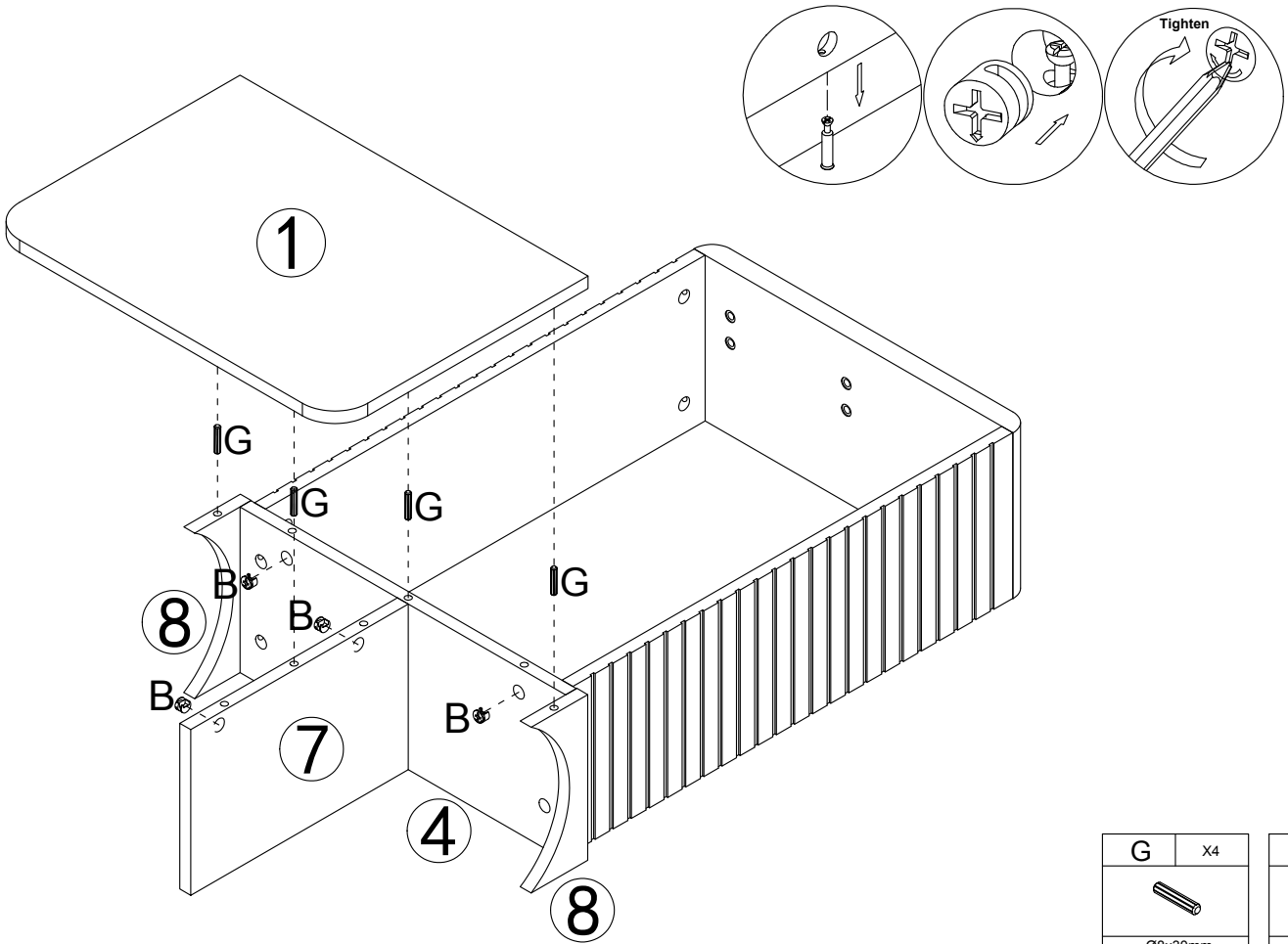


4



A	X4
	
M6x35mm	

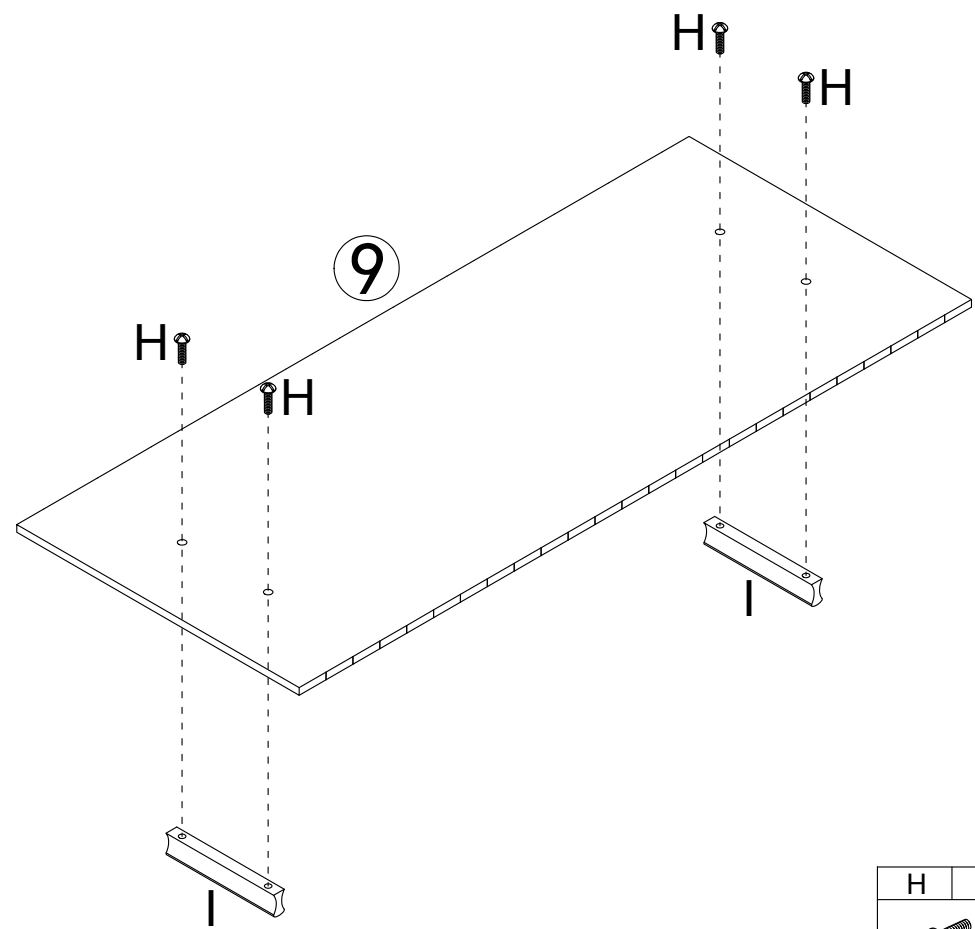
5



G	X4
Ø8x30mm	

B	X4
Ø15x9mm	

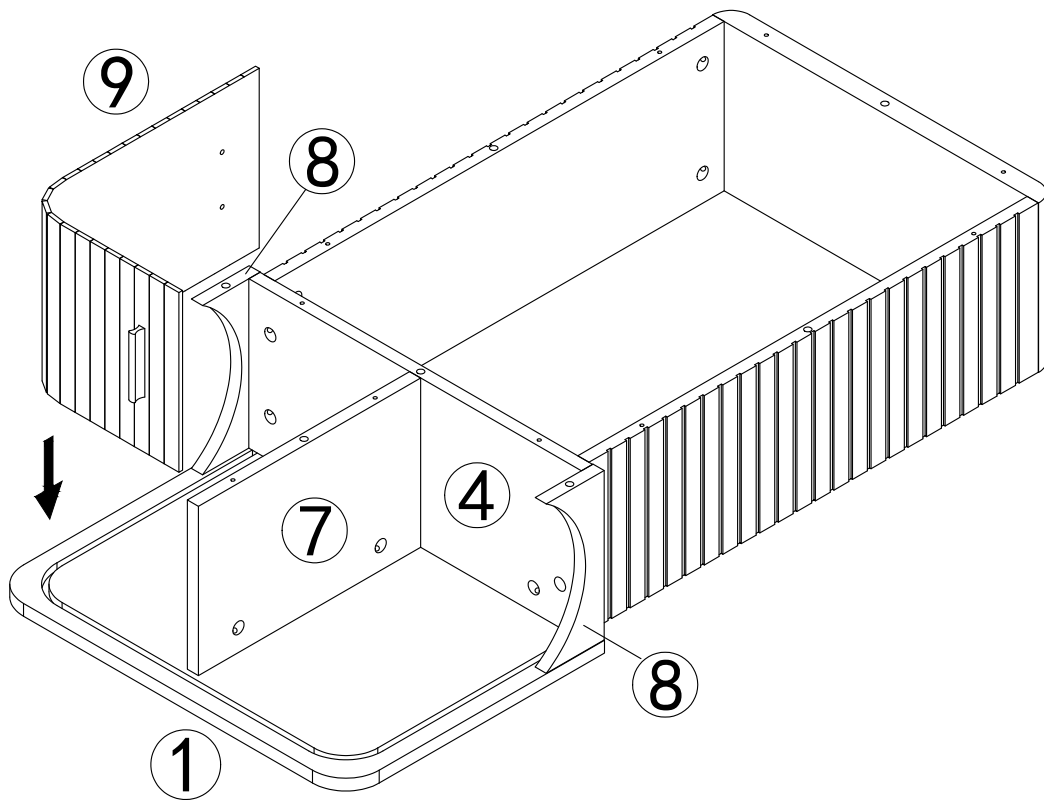
6



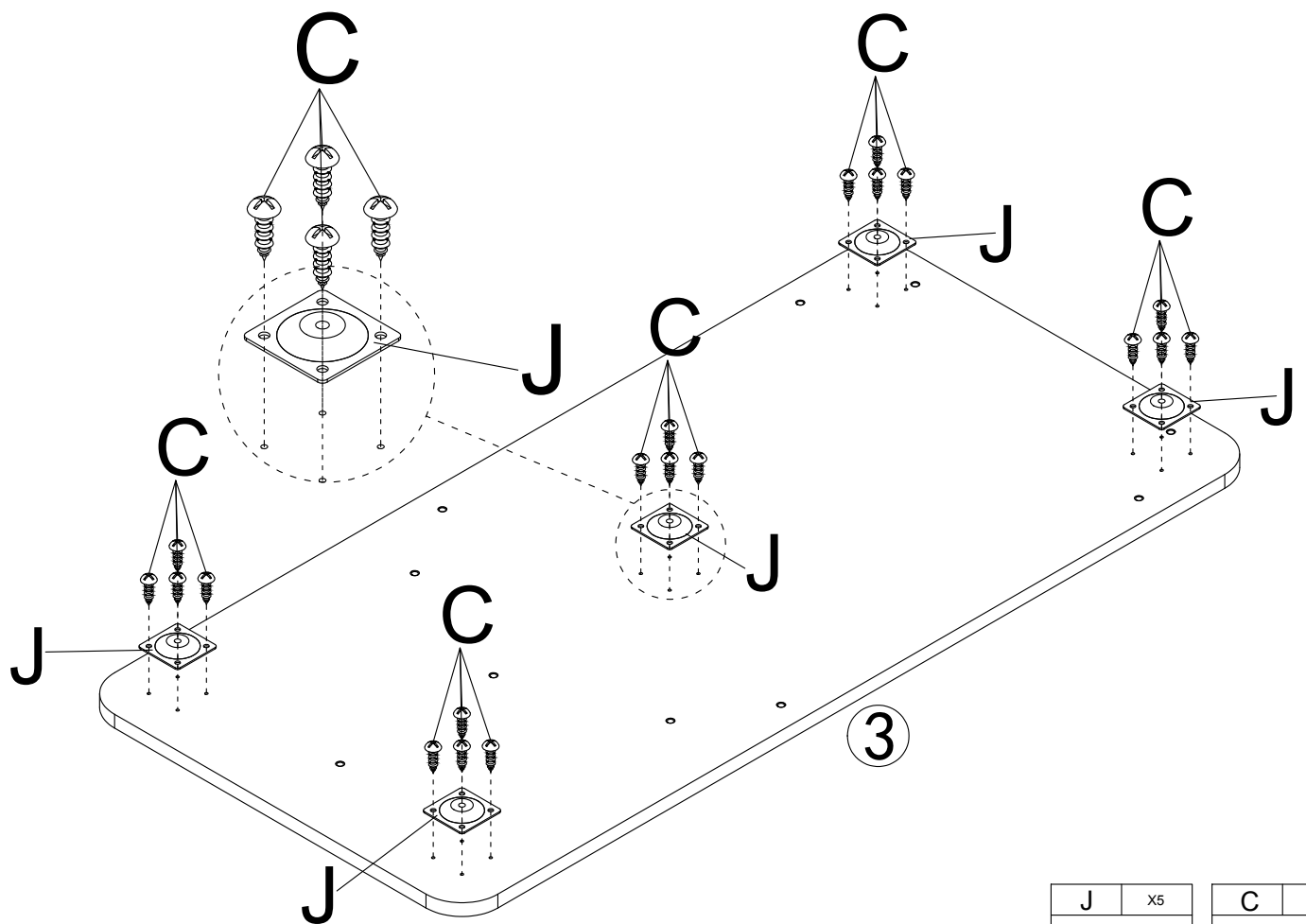
H	X4
M4x8mm	

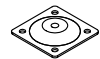
I	X2


7



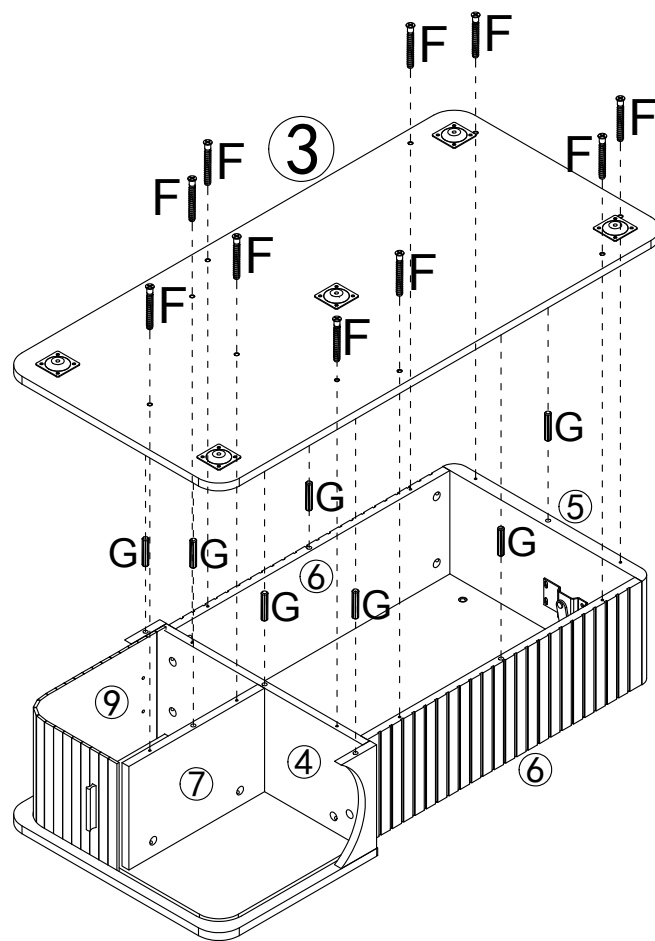
8





J	X5
	

C	X20
	
	M4x14mm

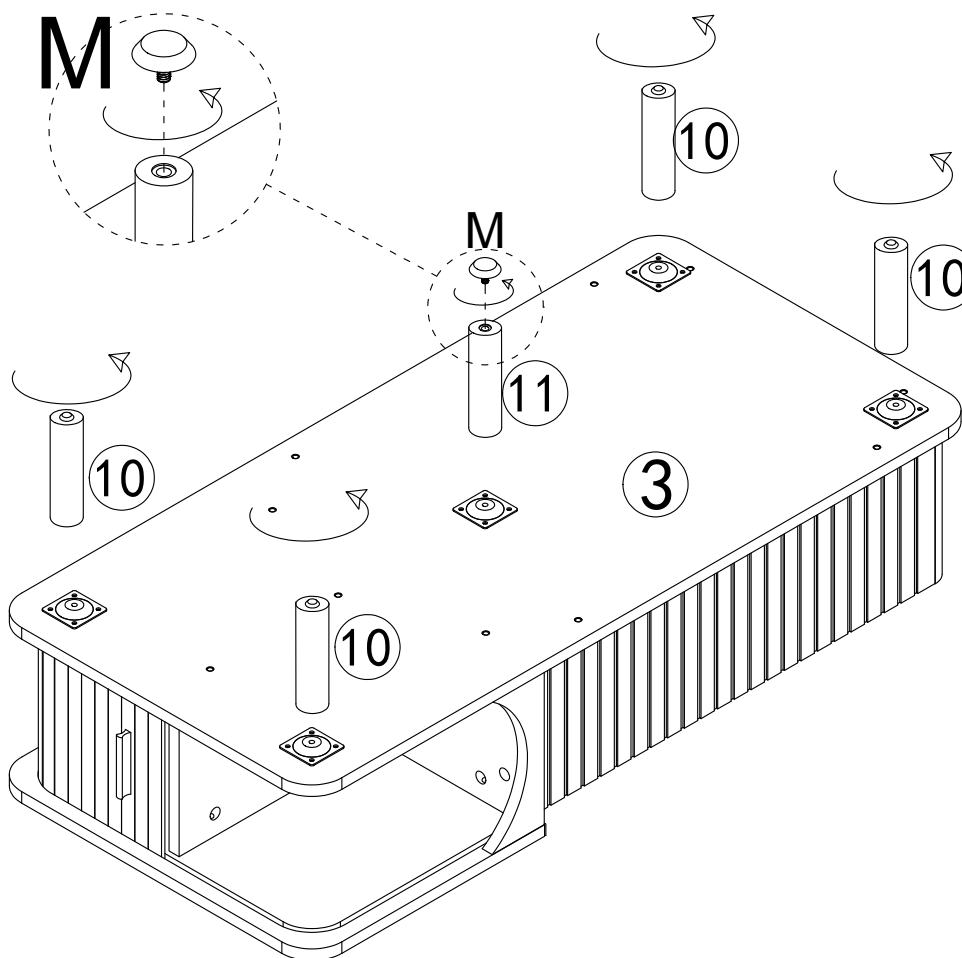
9




G	x7
 Ø8x30mm	

F	x10
 M5x40mm	

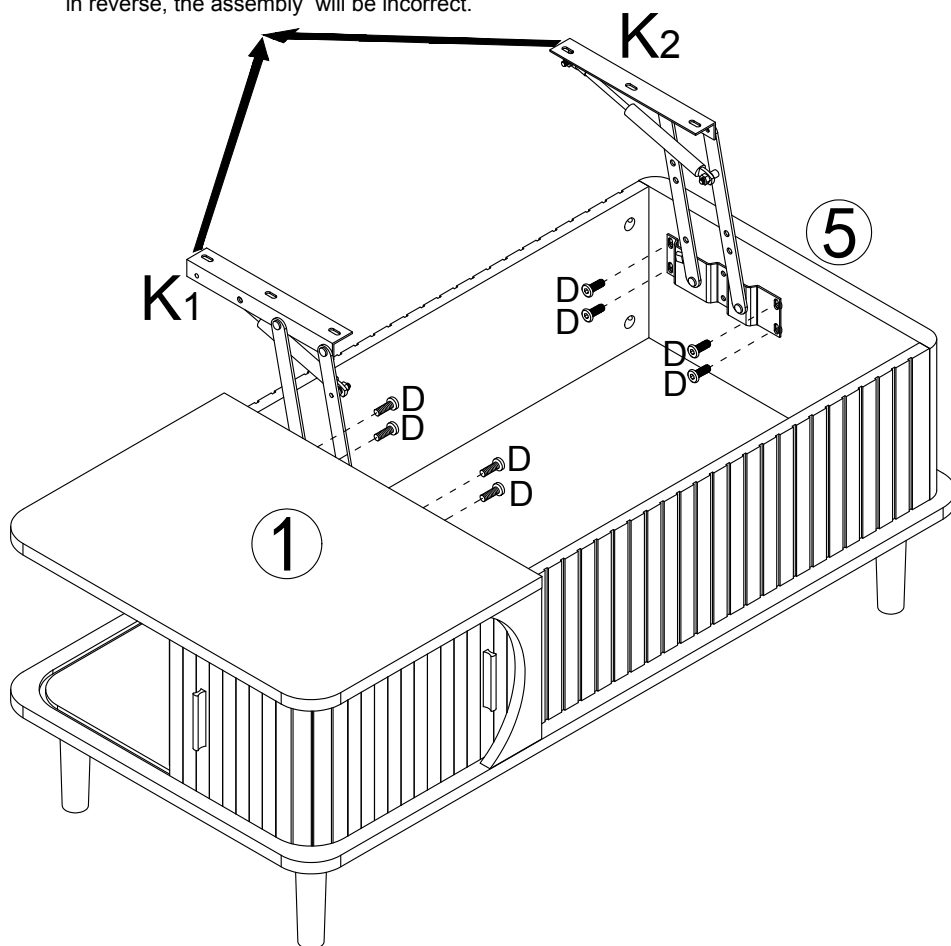
10




M	x1
 M6x20mm	

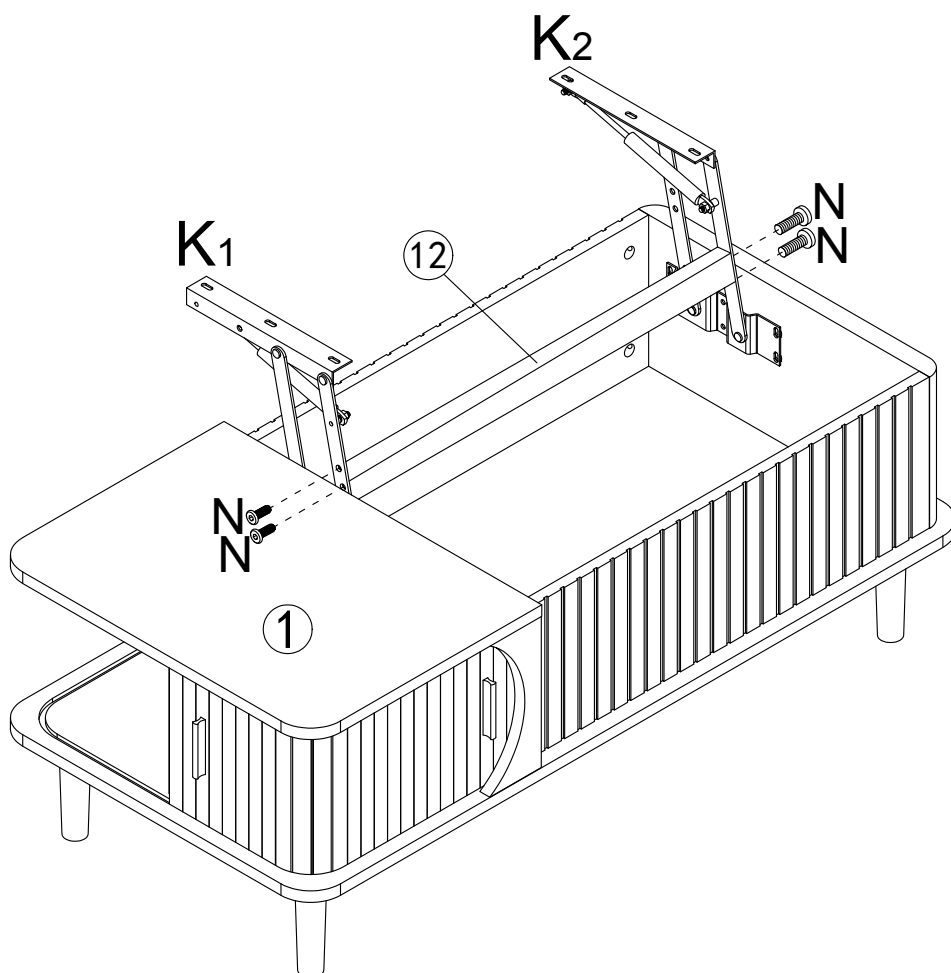
11


Attach K1 to part 4 and attach K2 to part 5 in the orientation shown in the picture. If this end is installed in reverse, the assembly will be incorrect.



D	x8
	
M6x12mm	

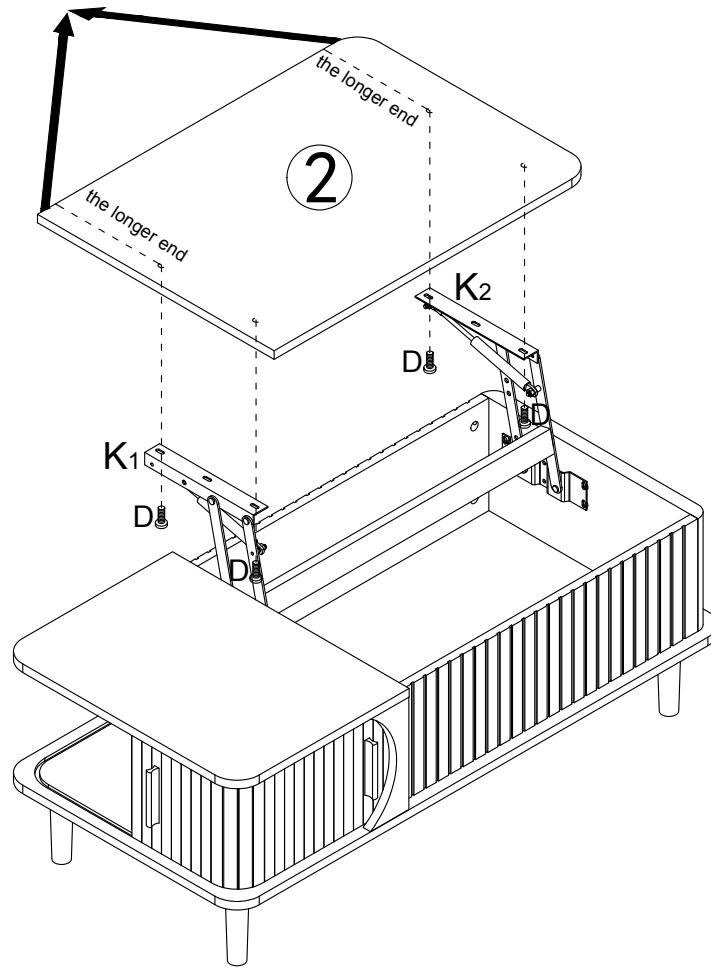
12




N	x4
	
M6x22mm	

13

the longer end of table top( part 1) should face the same direction of K1 and K2 as shown in the picture.



D	x4
	
M6x12mm	

14

