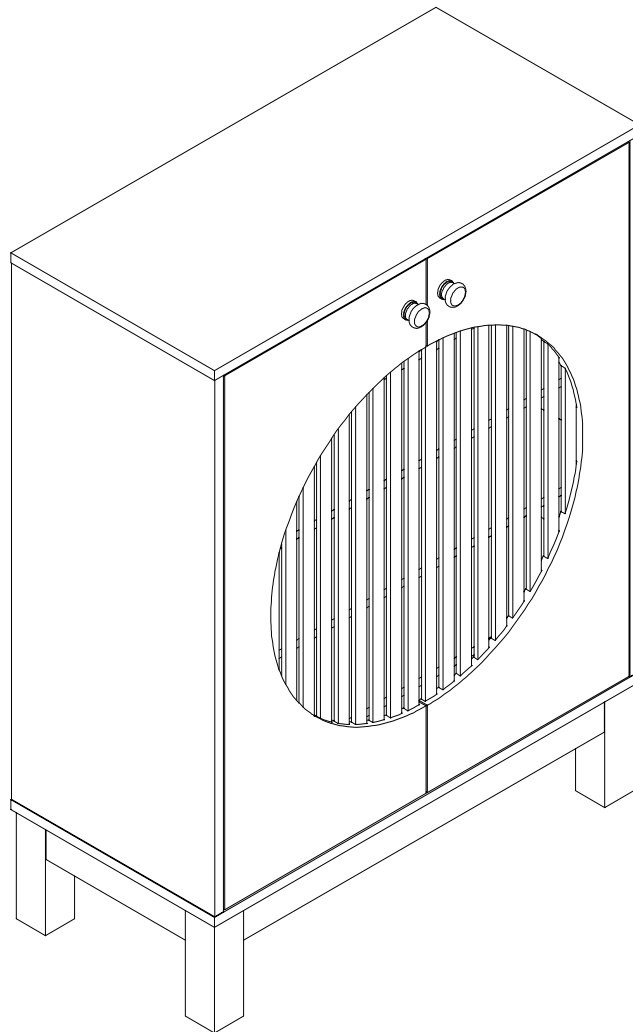




# ***Tribesigns***

## Assembly Instructions



Shoe Cabinet

Model No.  
HOGA-JW0982/JW0990



[www.tribesigns.com](http://www.tribesigns.com)

# Contact Us

## We're here to help you.

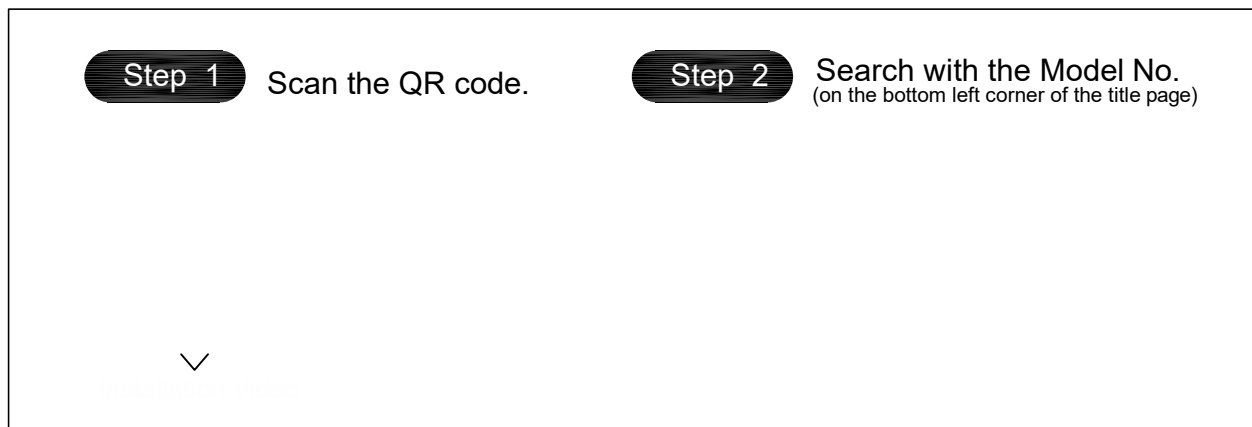


Your satisfaction is our top priority. If you encounter any issues with this product, such as missing or damaged parts, we're here to help. Please retain the original packaging and take photos of the packaging and the product, then contact us as soon as possible.

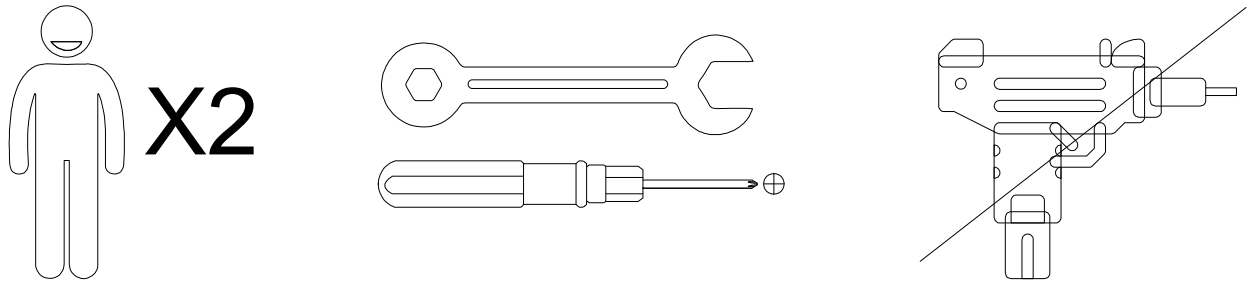
## Warm Tips

1. Carefully read these instructions and keep them for future reference.
2. Check the parts list and confirm everything's there before starting assembly.
3. When assembling, put all parts on a soft, smooth surface like a carpet to avoid scratches.
4. Don't fully tighten screws until all parts are confirmed in place to avoid misalignment.

## How to Get the Assembly Video

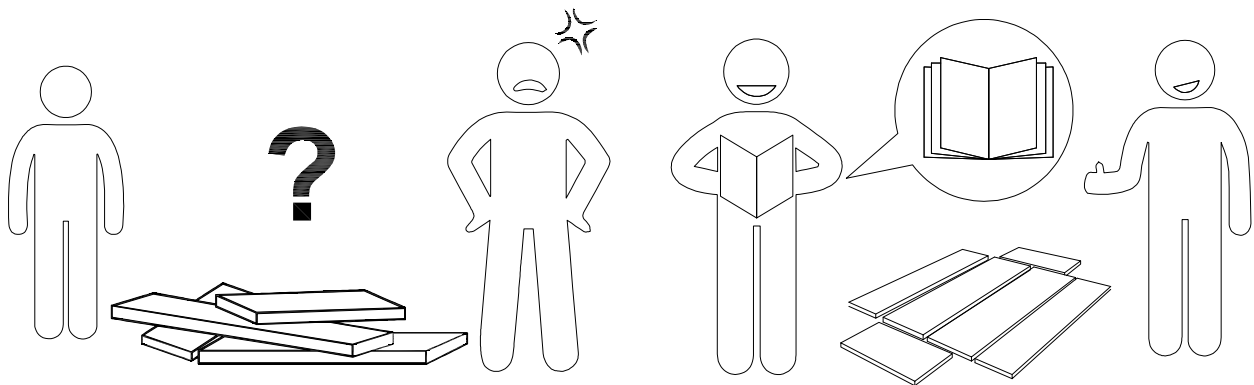


Note: If you can't find the assembly video, please contact us.



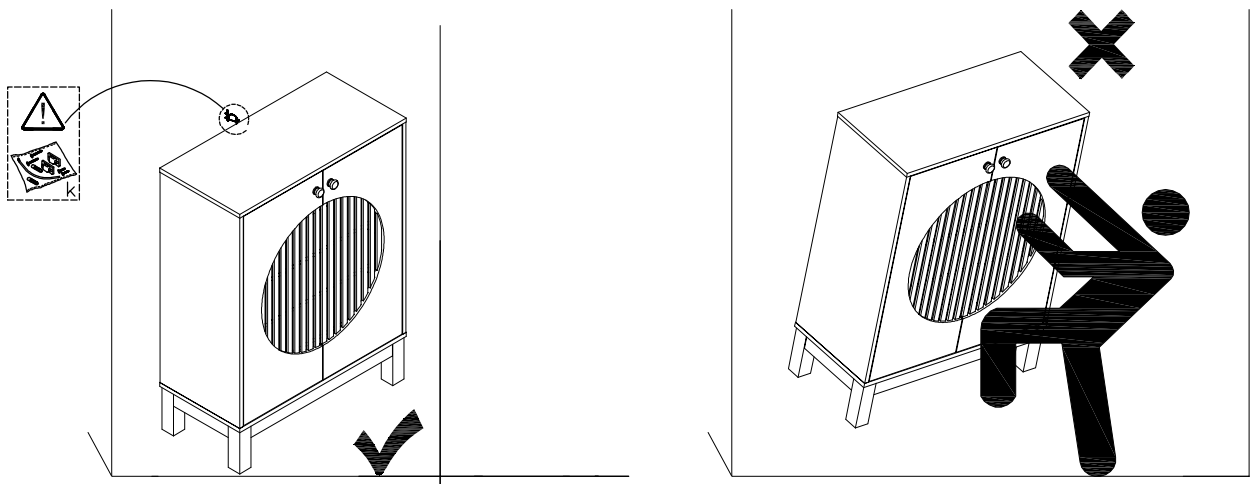
We recommend using hand tools for assembly.

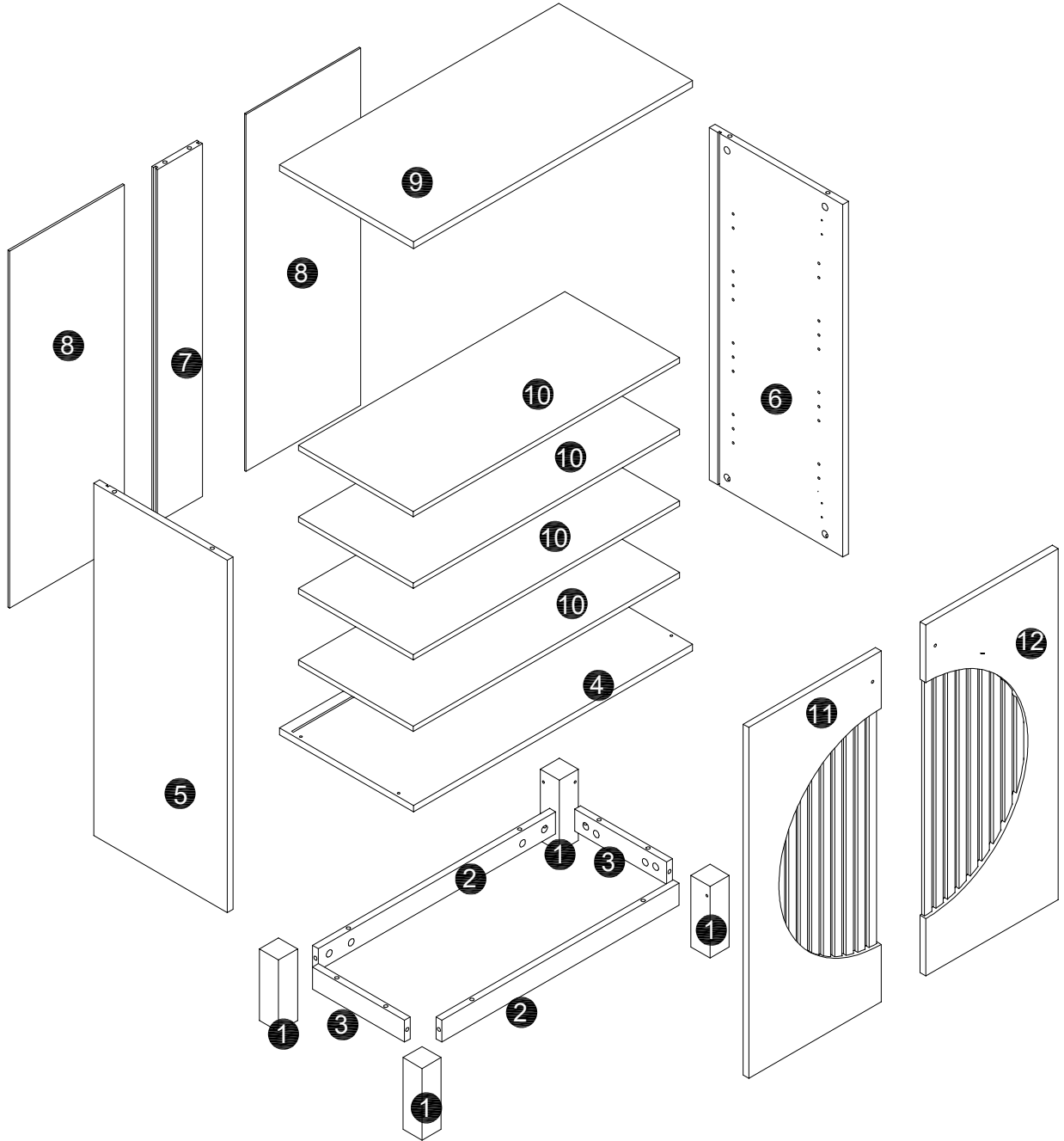
If an electric screwdriver is used, reduce power and torque to avoid damage to the product.



### Install the Anti-Tip Straps

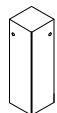
Using the anti-tip straps can reduce the risk of tipping over, but can not eliminate it.



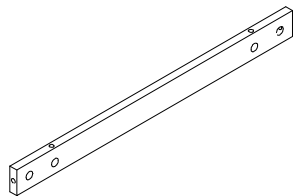


**⚠ Caution**

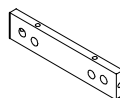
Make sure all parts are included. Most board parts are labeled or stamped on the raw edge. Contact us for a free replacement if you encounter any damaged or missing parts.



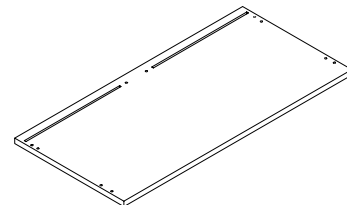
① 4pcs



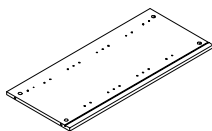
② 2pcs



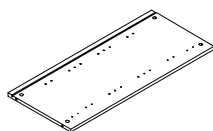
③ 2pcs



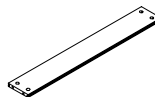
④ 1pcs



⑤ 1pcs



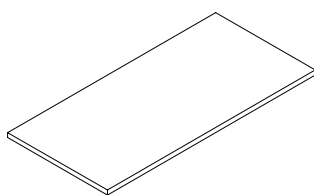
⑥ 1pcs



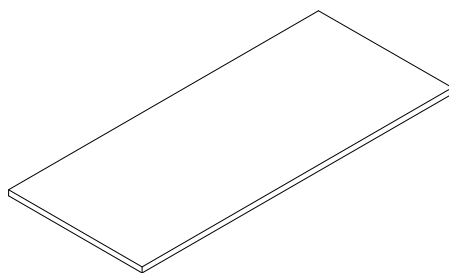
⑦ 1pcs



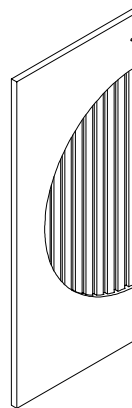
⑧ 2pcs



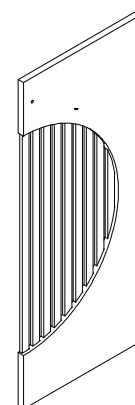
⑨ 1pcs



⑩ 4pcs



⑪ 1pcs



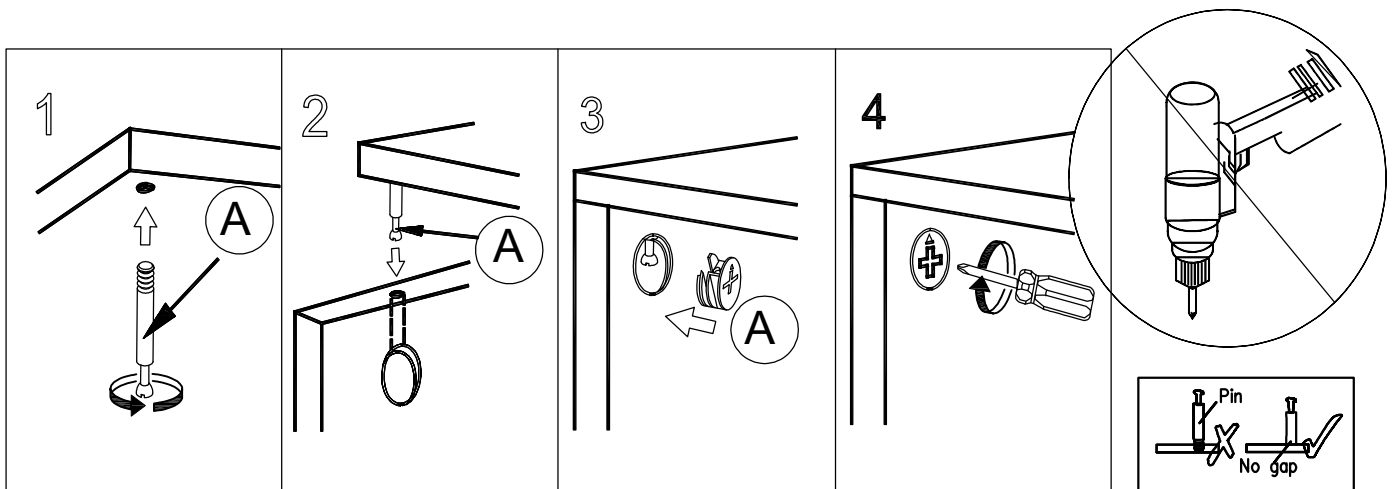
⑫ 1pcs

# Hardware List

<p>M6X35MM</p> <p><b>A</b></p> <p>28pcs</p>	<p>Ø8X30MM</p> <p><b>B</b></p> <p>8pcs</p>	<p><b>C</b></p> <p>2pcs</p>	<p>Ø3.5X14MM</p> <p><b>D</b></p> <p>60pcs</p>	<p><b>E</b></p> <p>16pcs</p>	<p>Ø4X18MM</p> <p><b>F</b></p> <p>2pcs</p>	<p>14X12X10MM</p> <p><b>G</b></p> <p>12pcs</p>
<p><b>D</b></p> <p>X6</p> <p><b>H</b></p> <p>8pcs</p>	<p>Ø8*22MM</p> <p><b>J</b></p> <p>4pcs</p>	<p><b>K</b></p> <p>1pcs</p>	<p><b>L</b></p> <p>Screwdriver</p>			

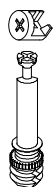
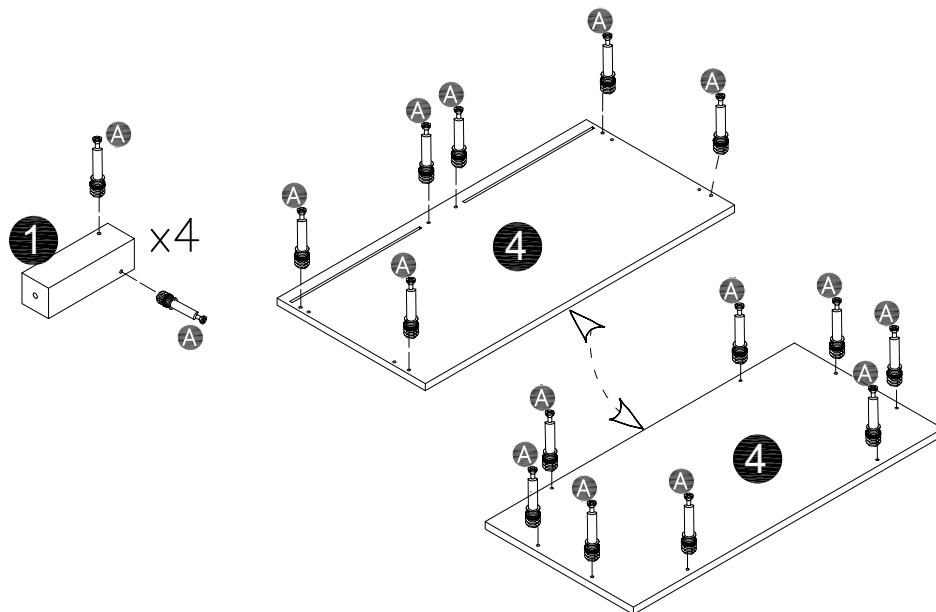
## Installation of Cams and Pins

Screw the pin into the hole. To set the cams correctly, ensure that the arrow on the cam is opening to the hole of the pin it is locking. Lock the cam by turning the cam head with a screwdriver until it is tightened. Please do not use an electric screwdriver to assemble the unit.



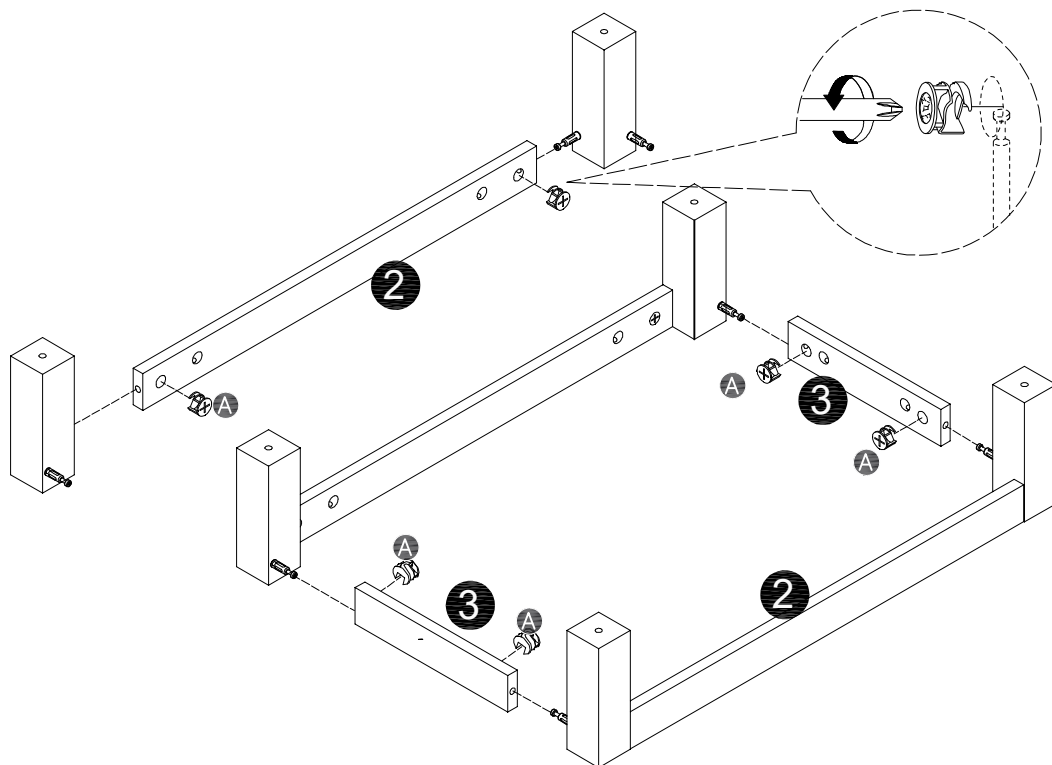
Read each step carefully before starting. It is very important that each step of instruction is performed in the correct order. If these steps are not followed in sequence, assembly difficulties will occur.

1



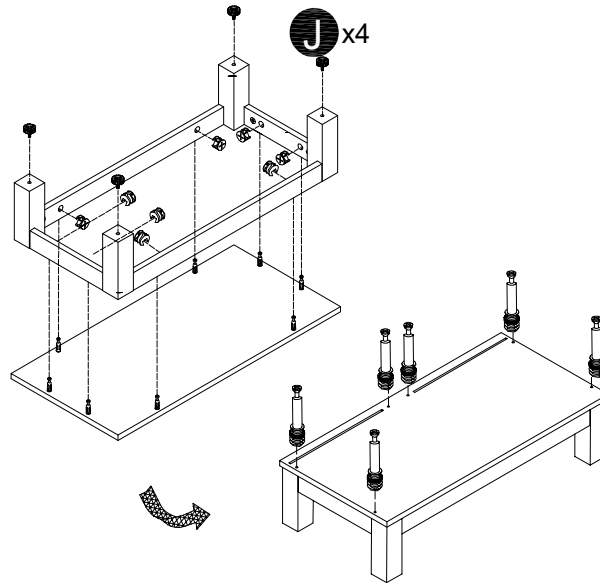
22 pcs

2



8pcs

3



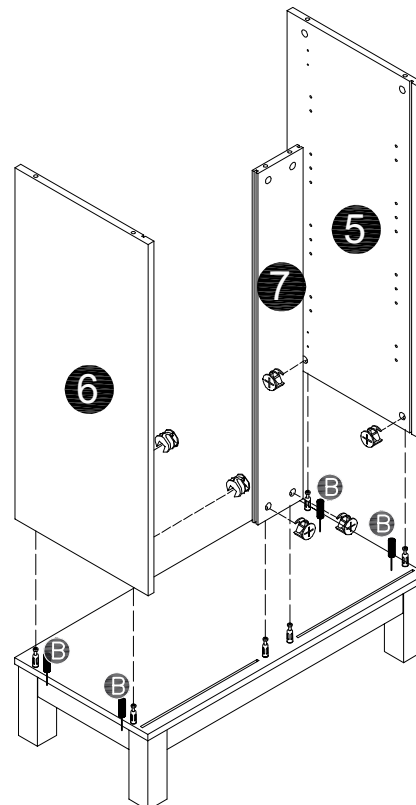
A

J

6pcs

4pcs

4



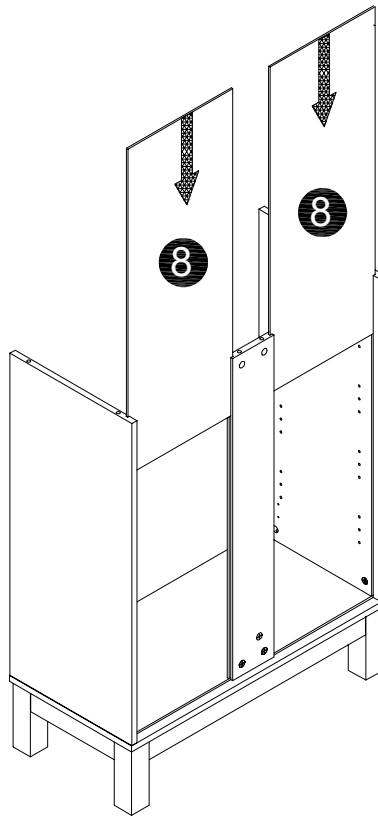
A

B

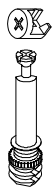
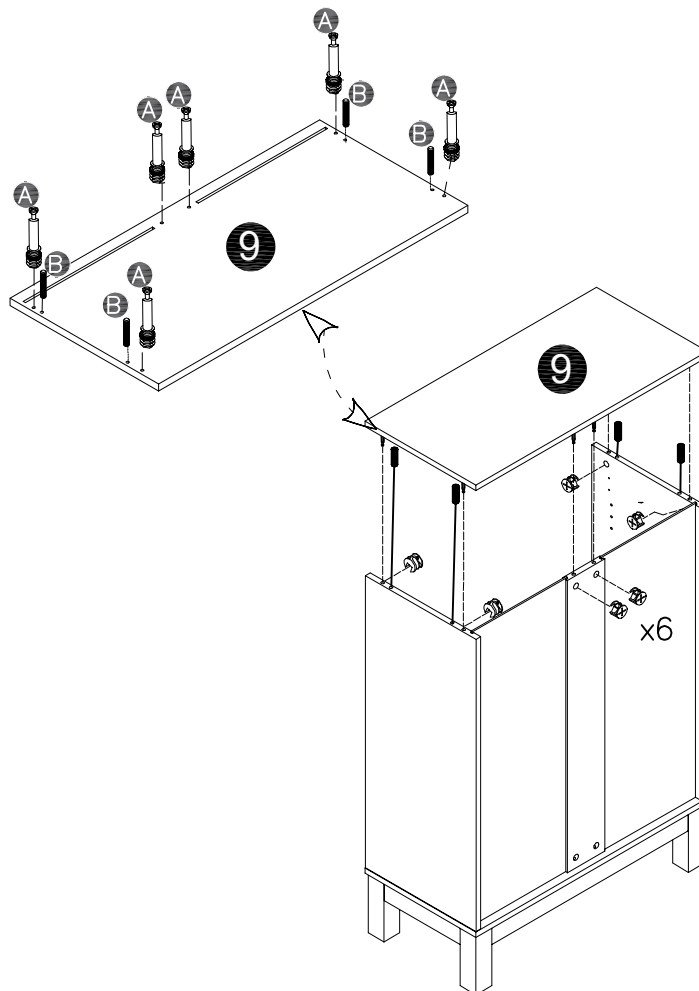
6pcs

4 pcs

5



6

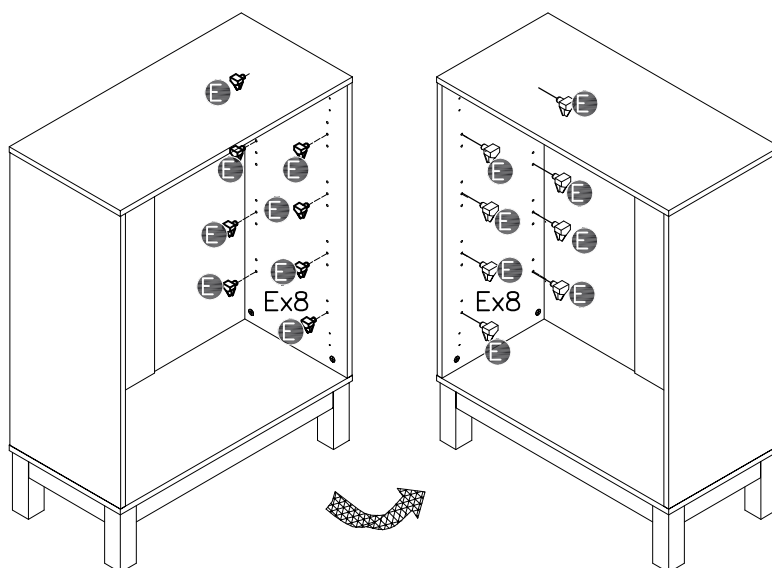


A  
6 pcs



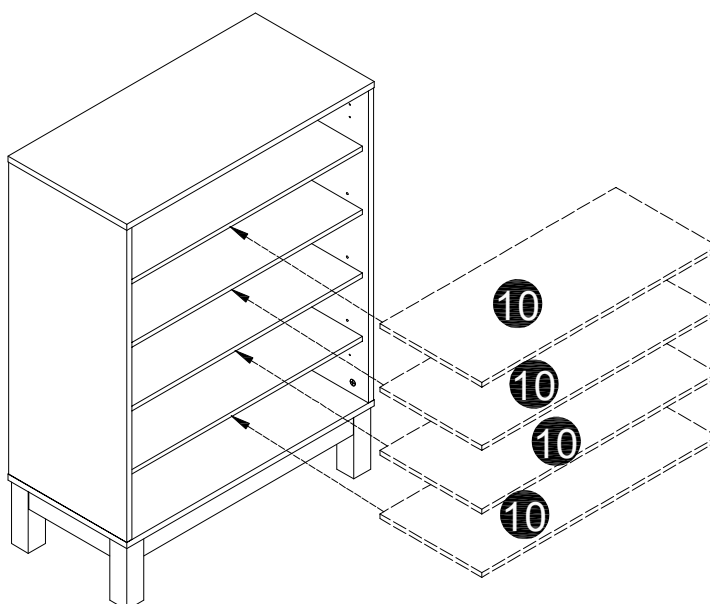
B  
4 pcs

7

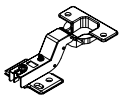
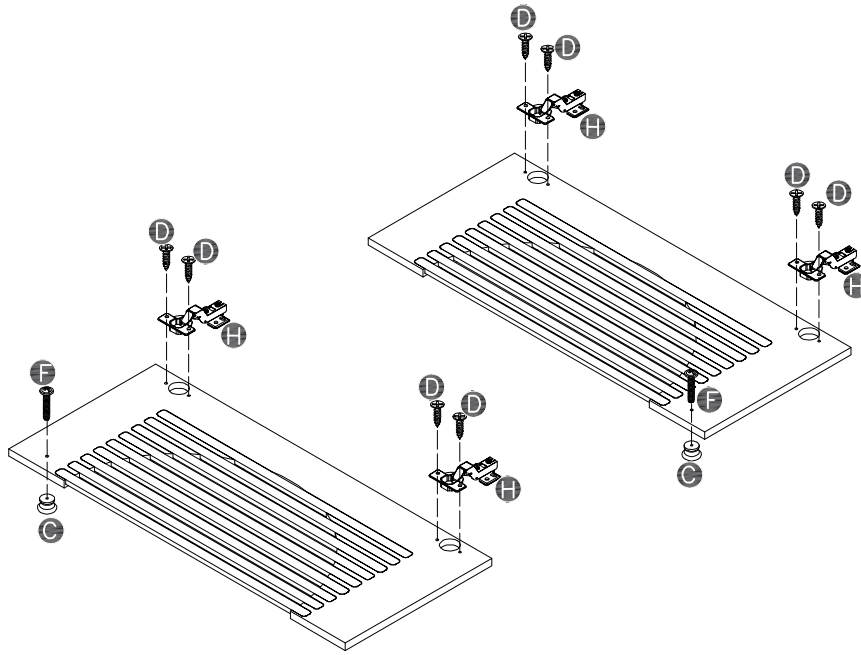


16 pcs

8



9



H  
4 pcs



C  
2 pcs



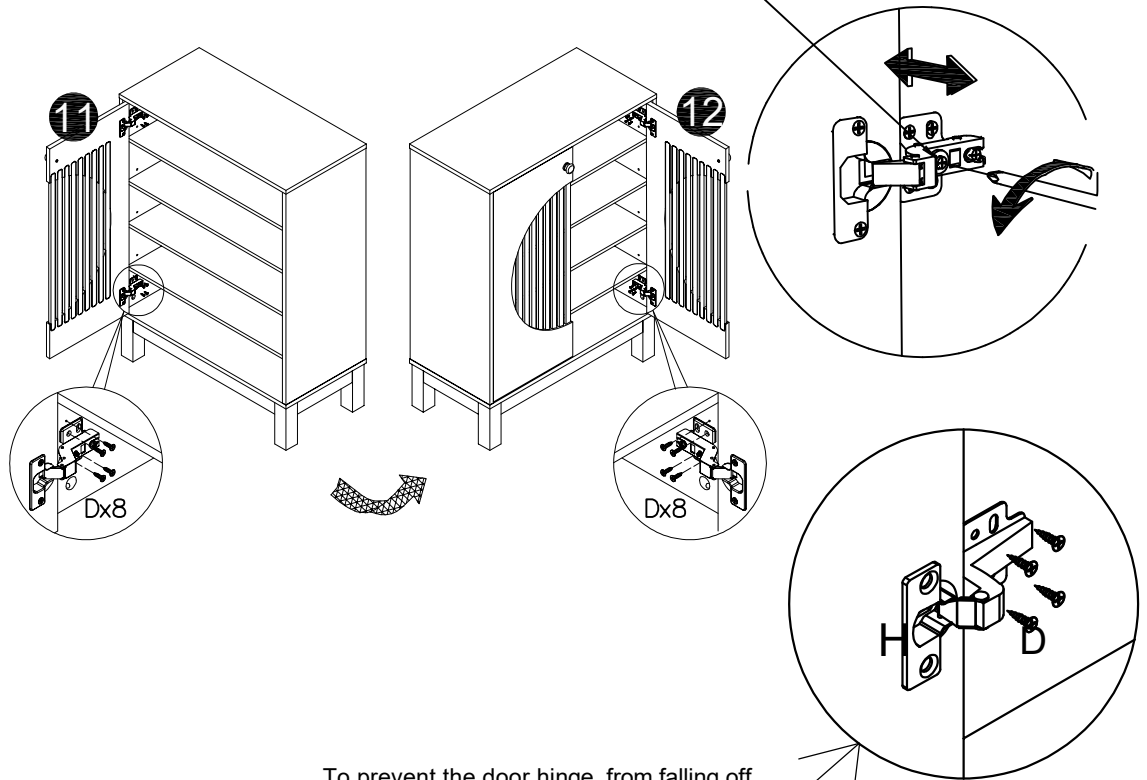
F  
2 pcs



D  
8 pcs

10

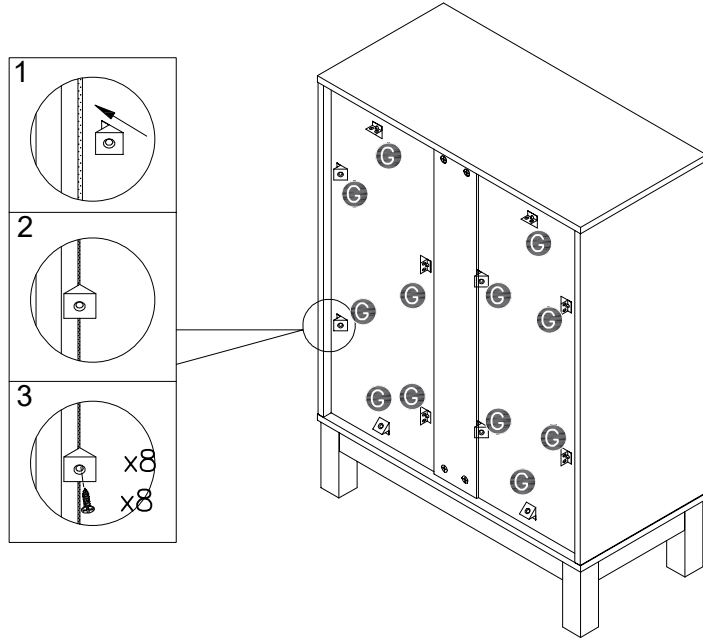
When adjusting the left and right sides of the door panel, this screw should not be loosened too much, otherwise it may easily damage the side panel or door panel



D  
16 pcs

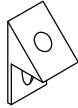
To prevent the door hinge from falling off, please install 4 screws

11



D

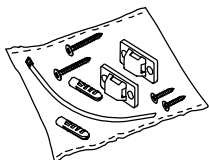
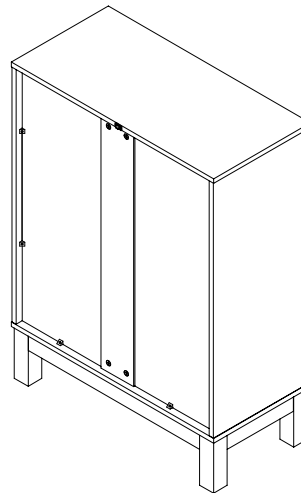
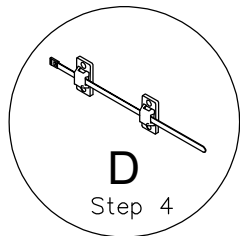
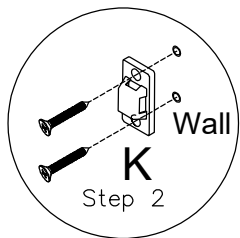
12pcs



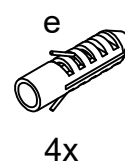
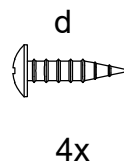
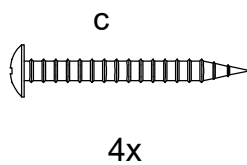
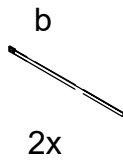
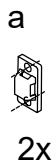
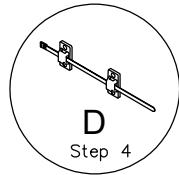
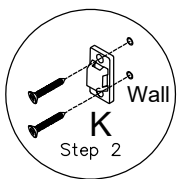
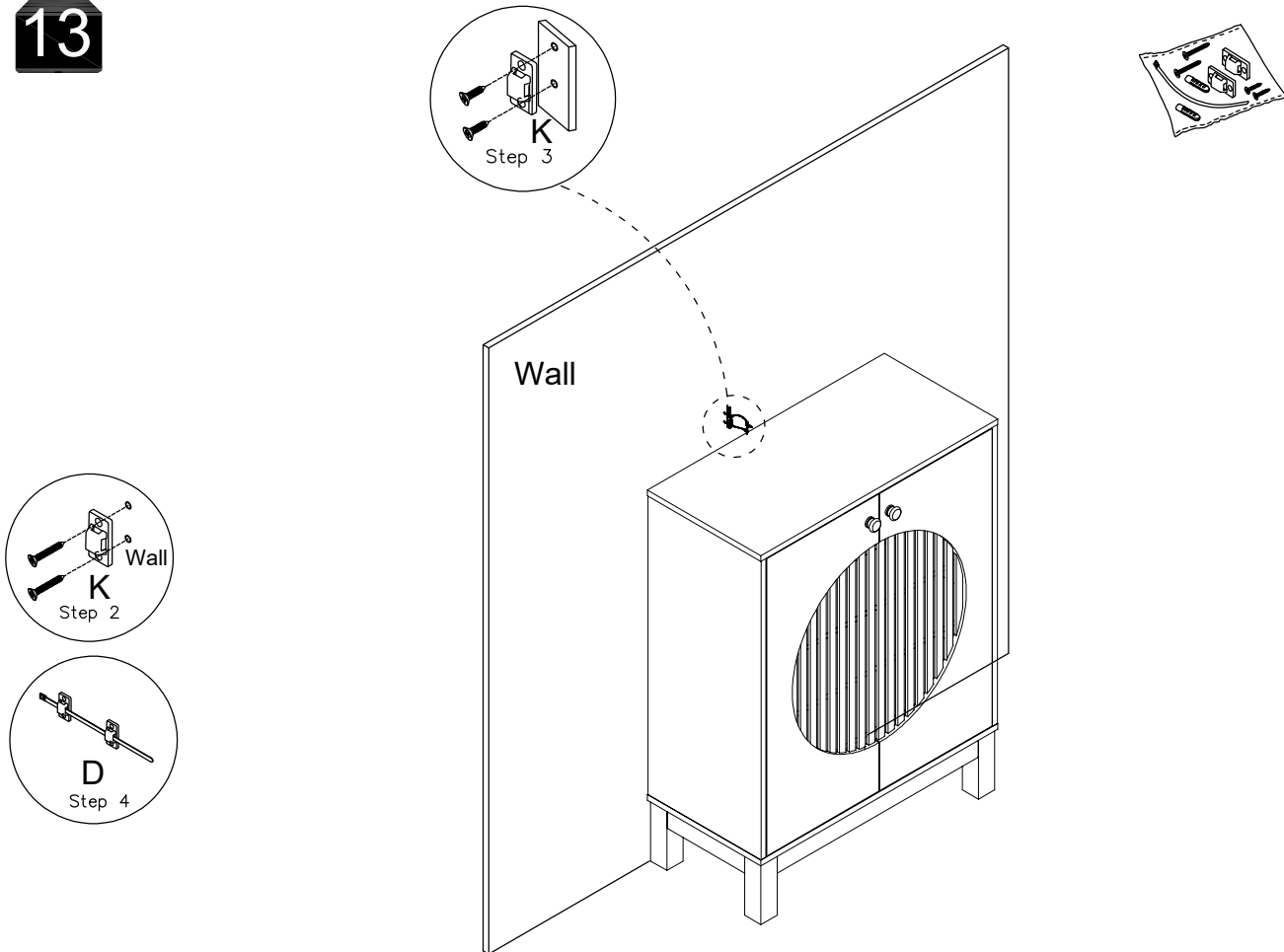
G

12pcs

12



13



### Installation Steps:

1. Drill a hole on the wall, insert the expansion bolt (e) into the hole.
2. Secure one bracket (a) into the expansion bolt (e) using the screw(c).
3. Position the furniture in place. Attach another bracket(a) (aligns with the bracket on the wall) to the back edge of unit top using the screw(d),
4. Thread the male end of the steel cable(b) through both brackets. Securely join the ends by turning the female connector clockwise.

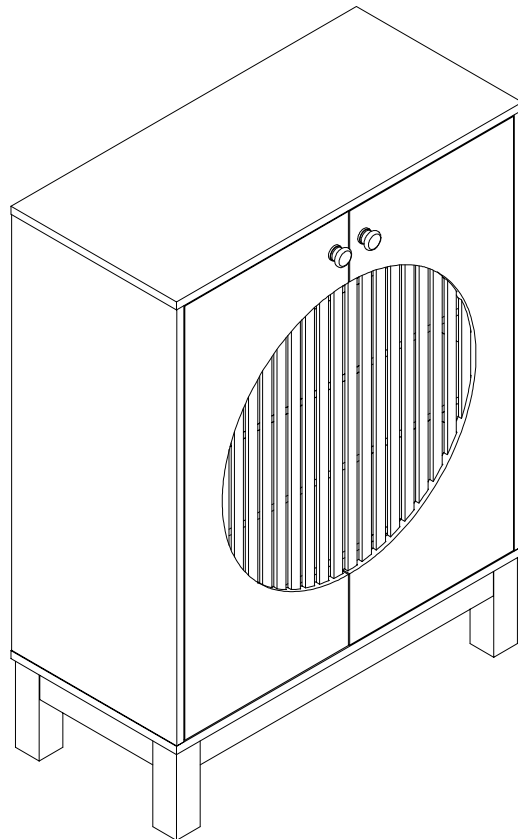
### Note:

Before installing the anti-tip kit, please determine where the furniture is to be placed and locate the center line of a wooden stud using a stud finder.  
 For a concrete wall, ensure no steel bars inside it.



# Tribesigns

## Assembly Instructions



### Contact our customer service team



support@tribesigns.com  
www.tribesigns.com



1-424-220-6888  
Contact us anytime except  
12:00 AM to 8:00 AM EST.

### Follow Tribesigns

Facebook

Instagram

Pinterest

Twitter

YouTube

TikTok

WhatsApp