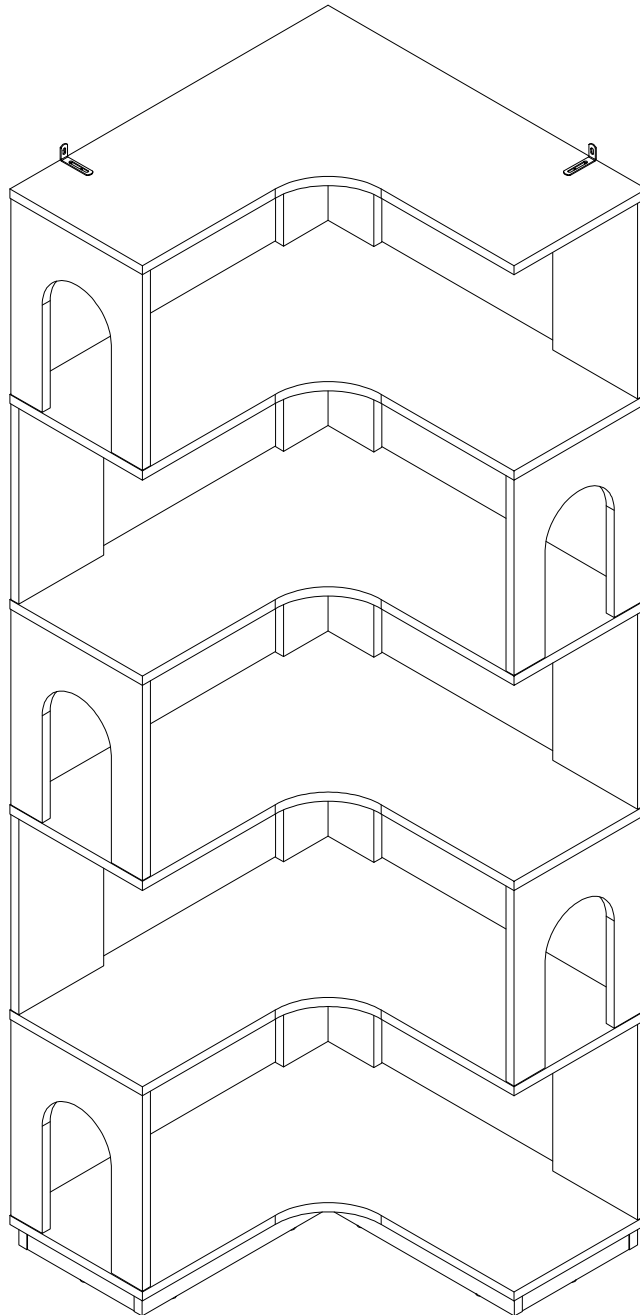
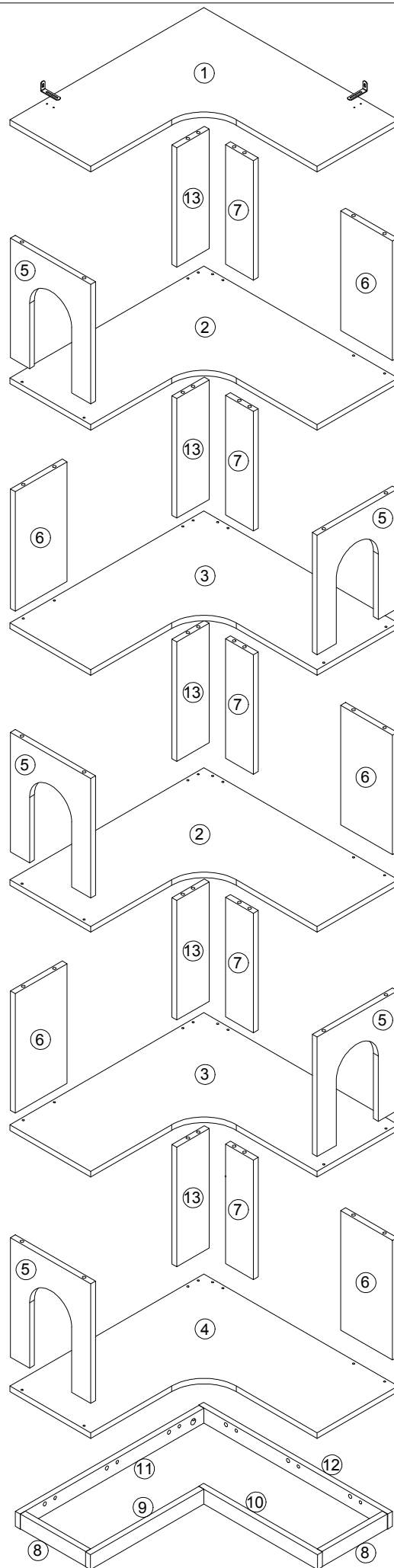


ASSEMBLY INSTRUCTION

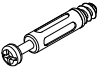

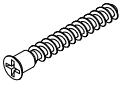

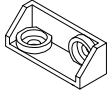

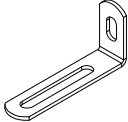
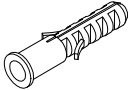

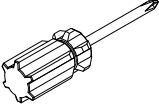
Please don't tighten the screws completely and go back later for a final tightening of all the screws after pieces are aligned with each other.



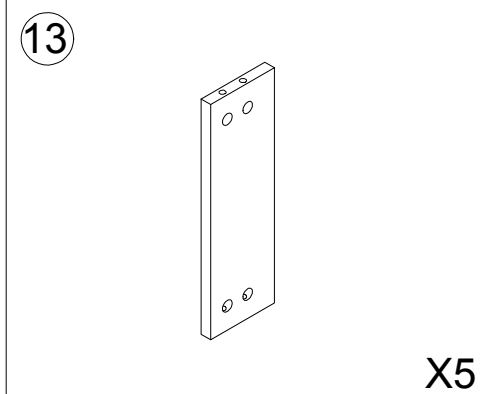
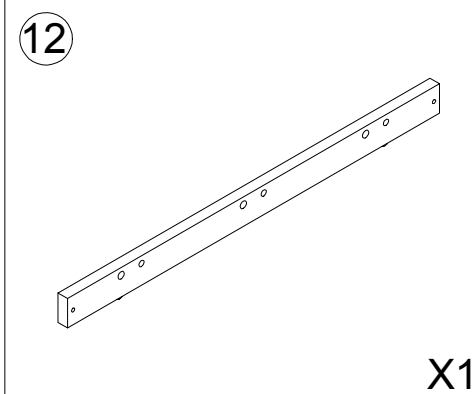
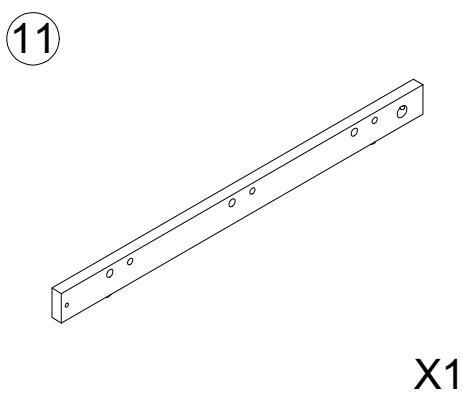
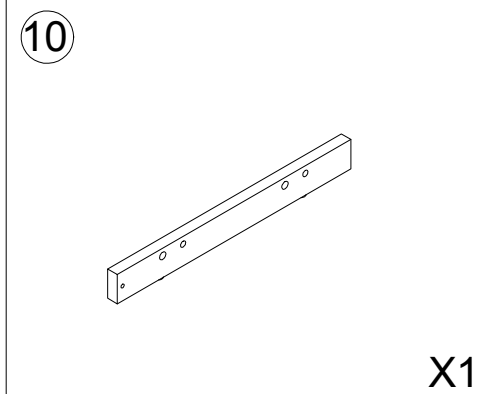
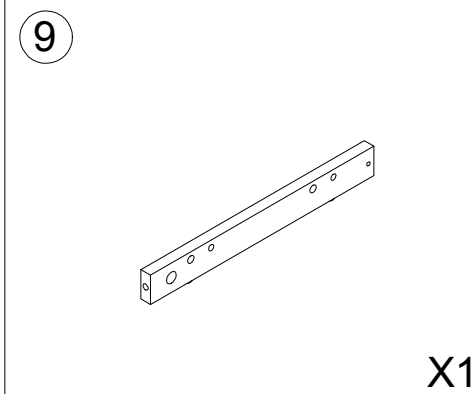
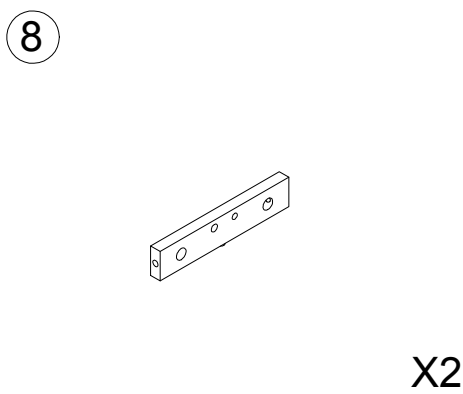
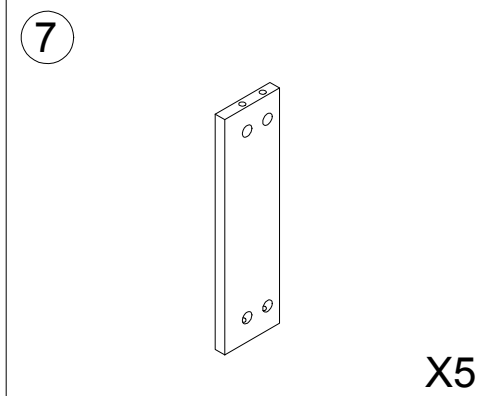
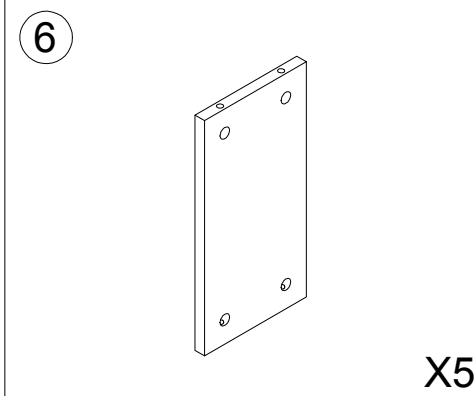
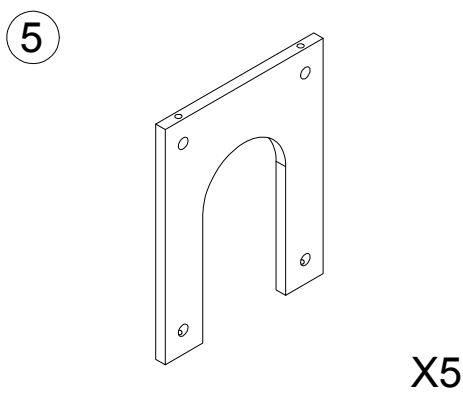
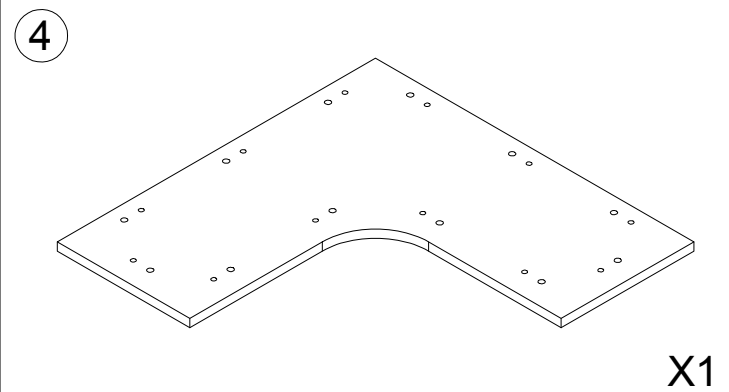
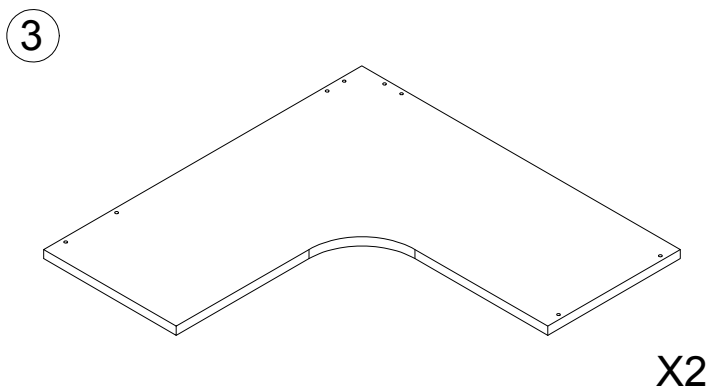
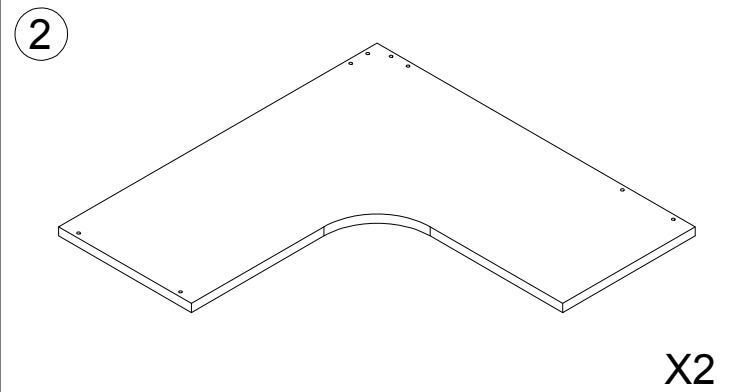
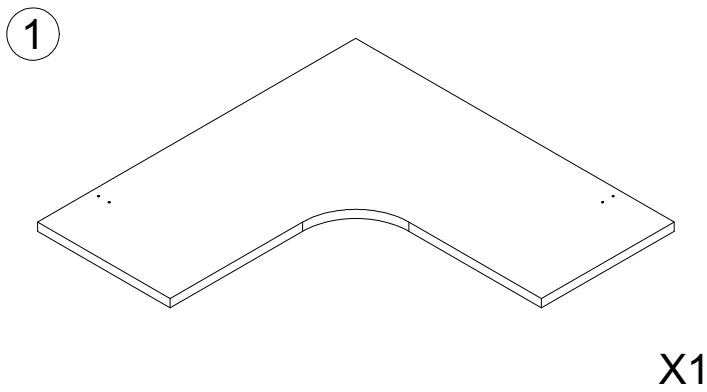
ASSEMBLY INSTRUCTION



ASSEMBLY INSTRUCTION

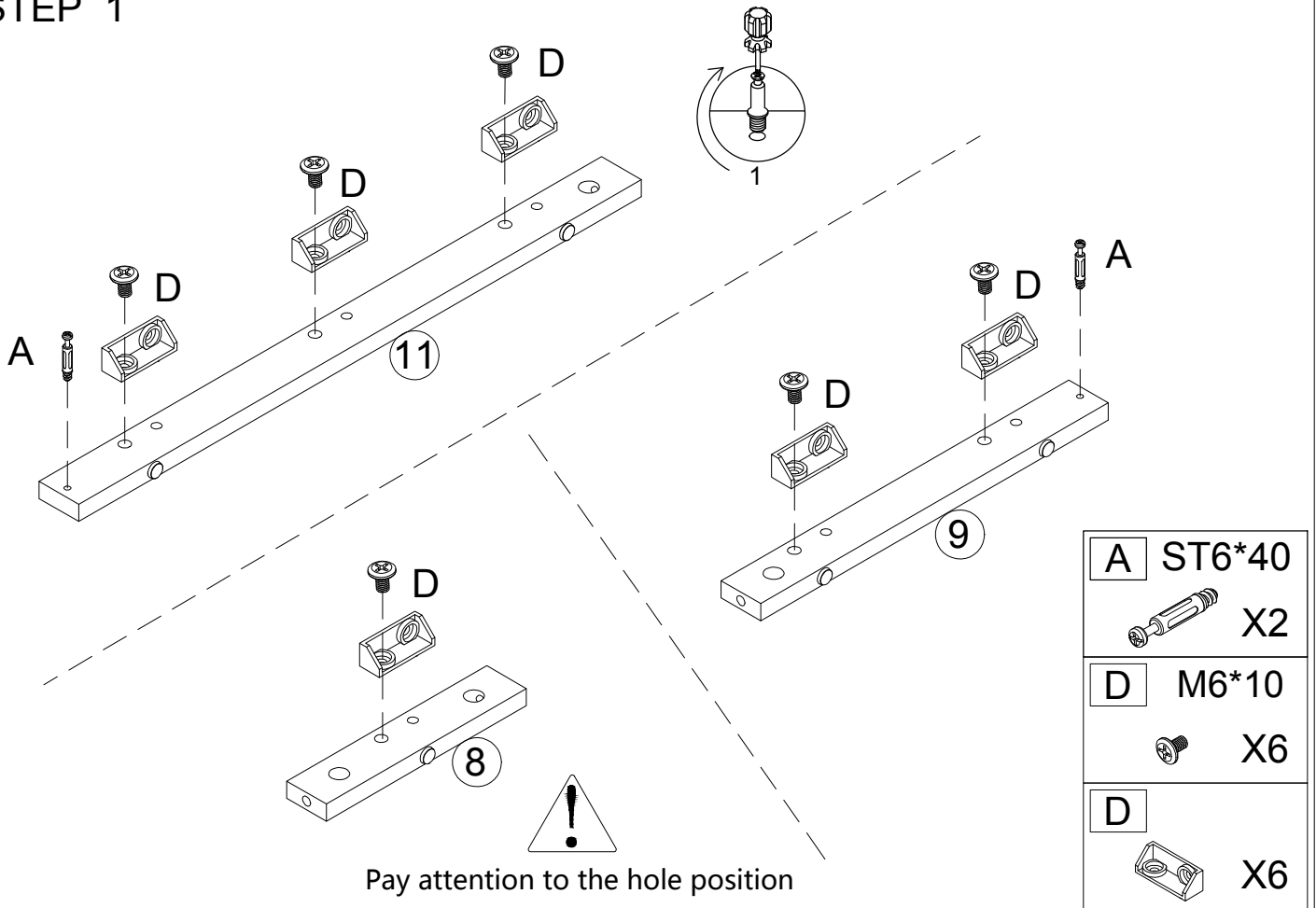
A ST6*40mm	B Ø15*11mm	C M5*40mm	D M6*10mm
 X86+4	 X86+4	 X2+1	 X2  X1 X12
E M3.5*14mm	F	G	Ø21 x 0.3mm
 X4+2	 X2	 X2	 X86
 X1			

ASSEMBLY INSTRUCTION

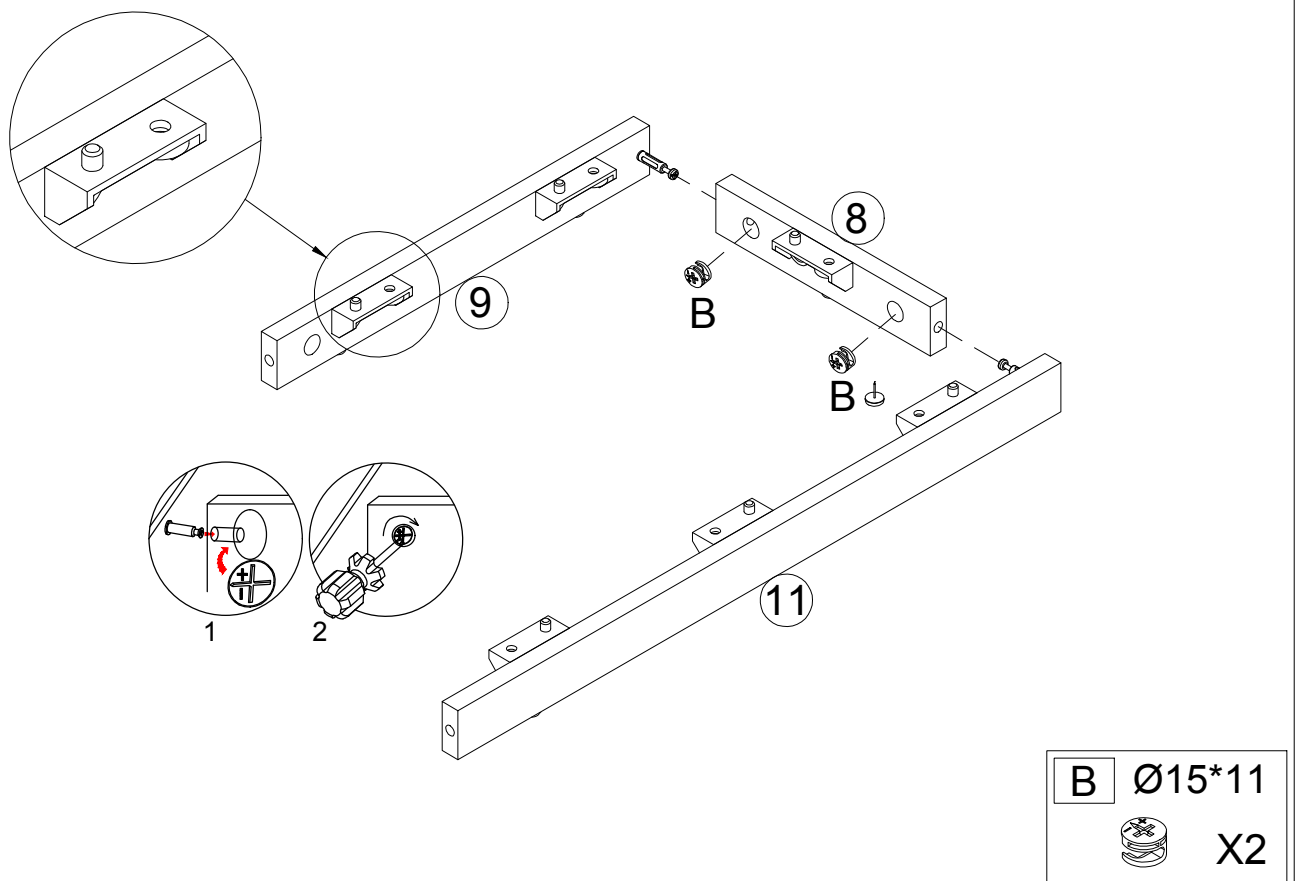


ASSEMBLY INSTRUCTION

STEP 1

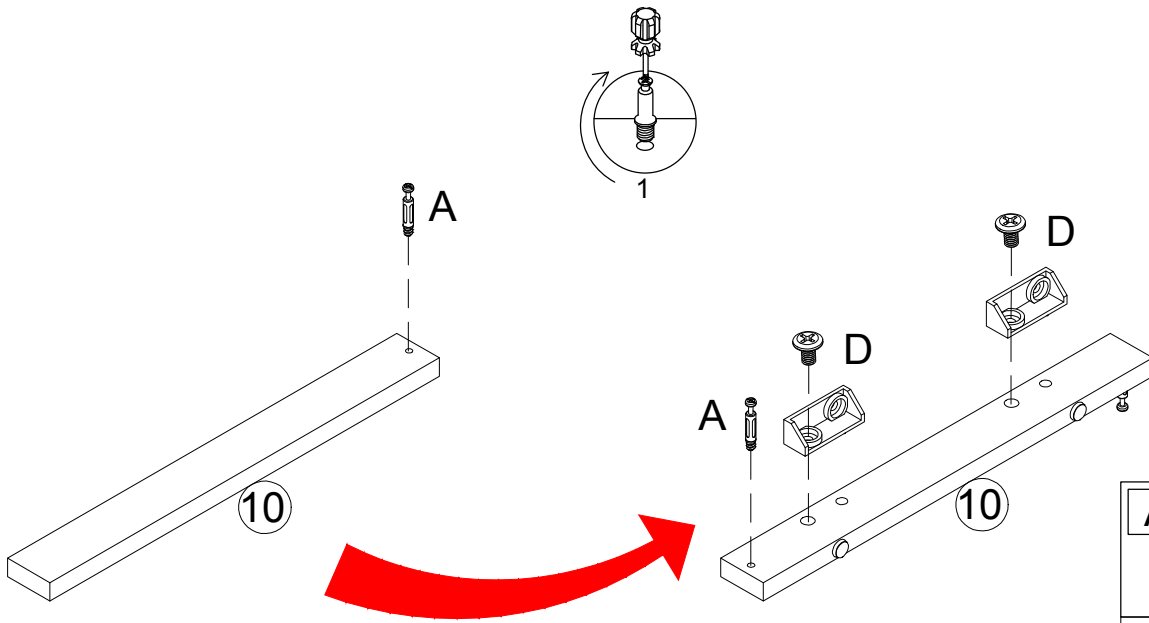


STEP 2



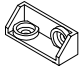


ASSEMBLY INSTRUCTION

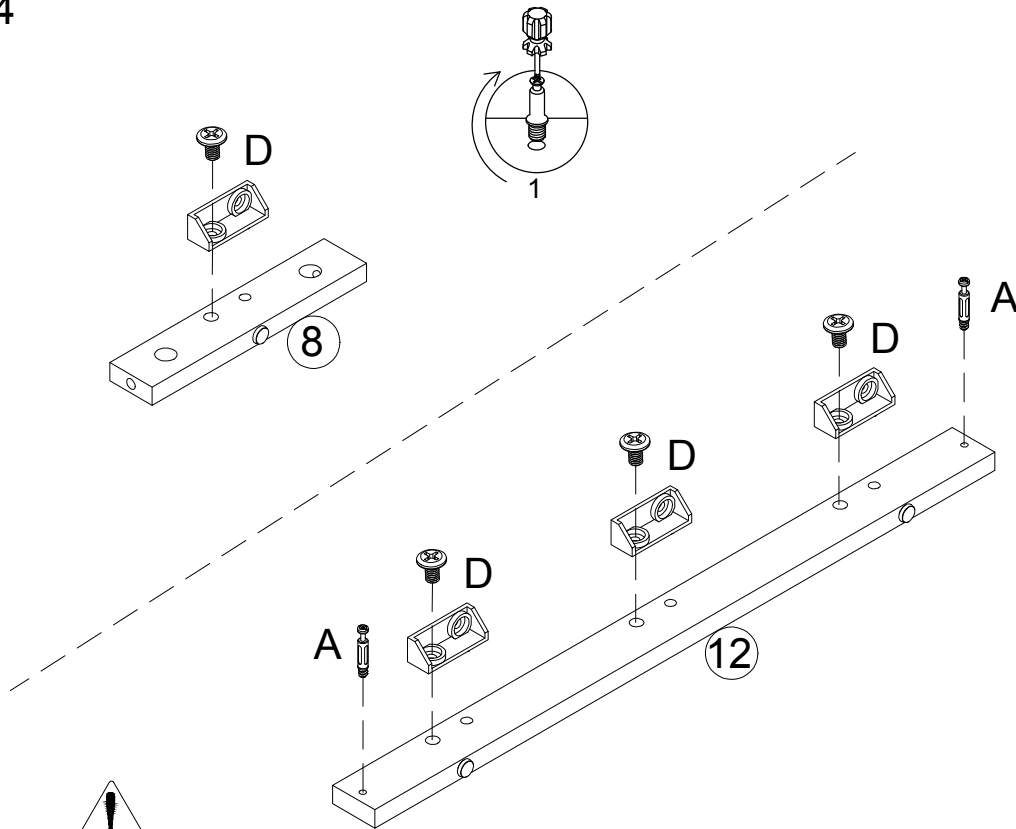
STEP 3





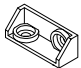
Pay attention to the hole position

A	ST6*40
	X2
D	M6*10
	X2
D	
	X2

STEP 4

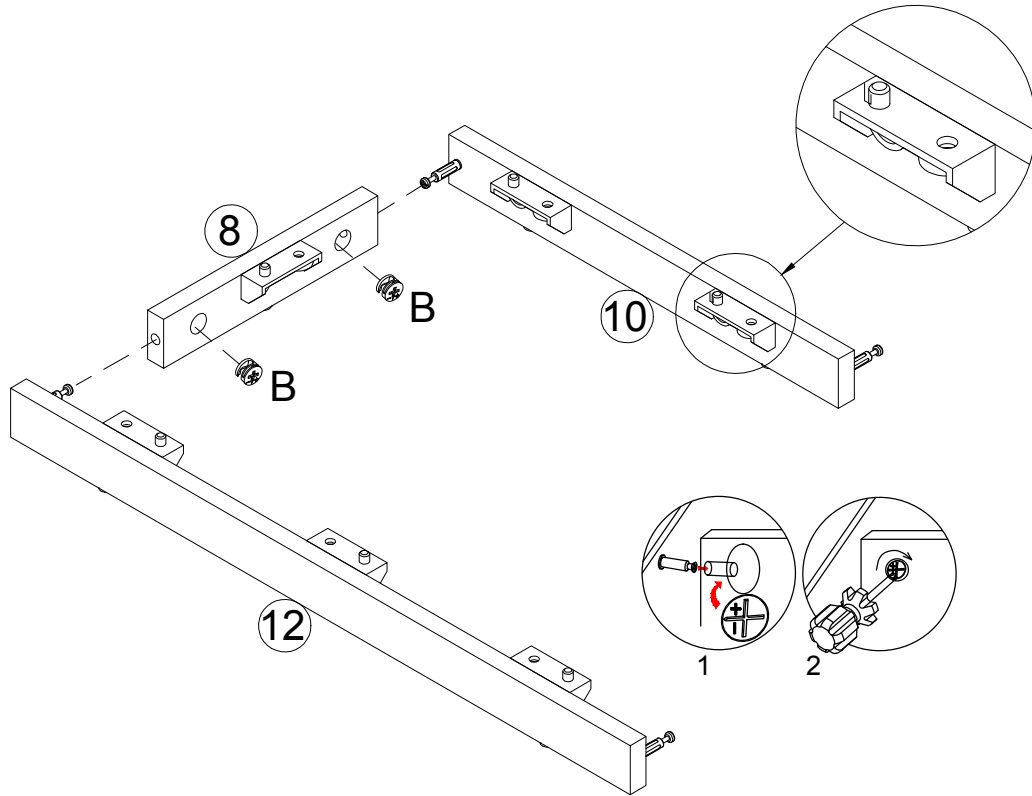


Pay attention to the hole position

A	ST6*40
	X2
D	M6*10
	X4
D	
	X4

ASSEMBLY INSTRUCTION

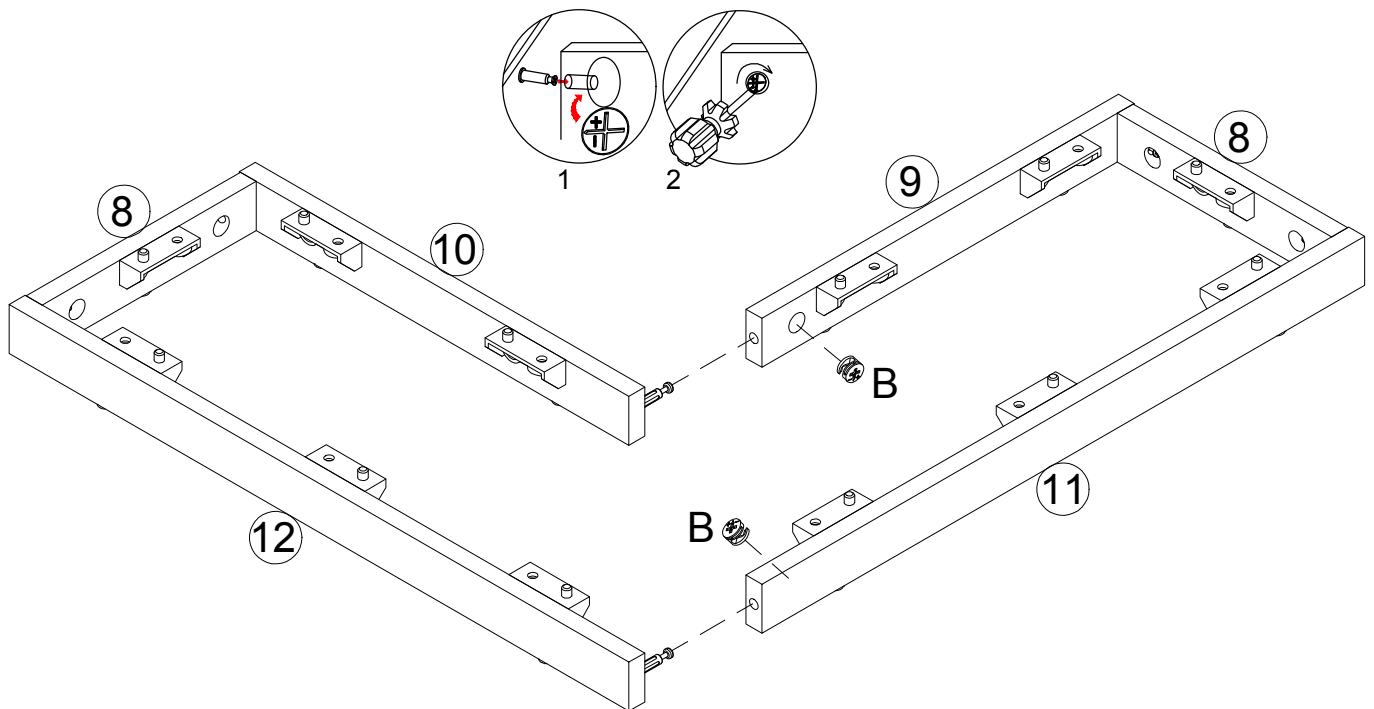
STEP 5



B Ø15*11

X2

STEP 6

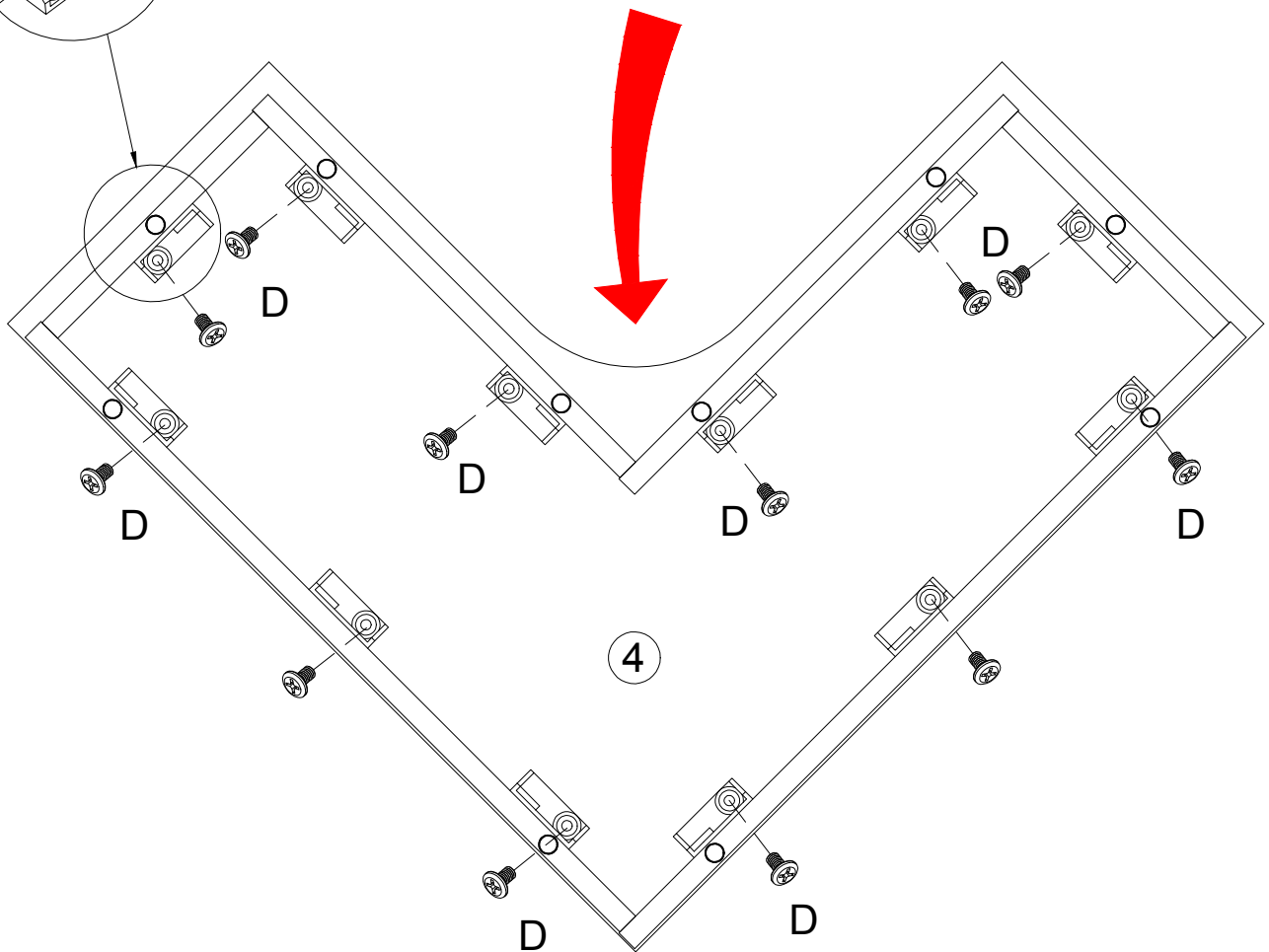
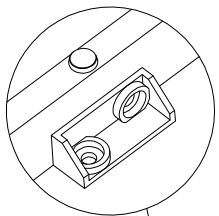
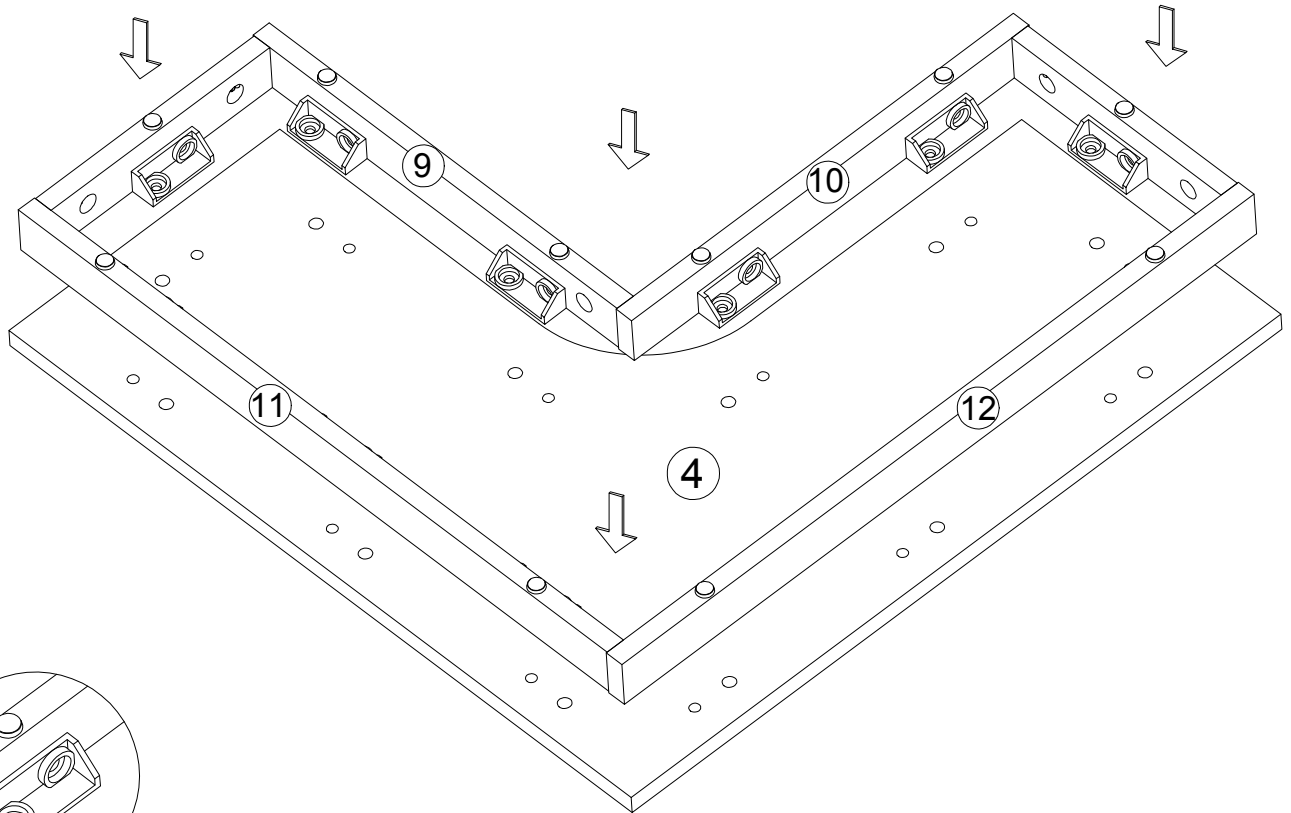



B Ø15*11

X2

ASSEMBLY INSTRUCTION

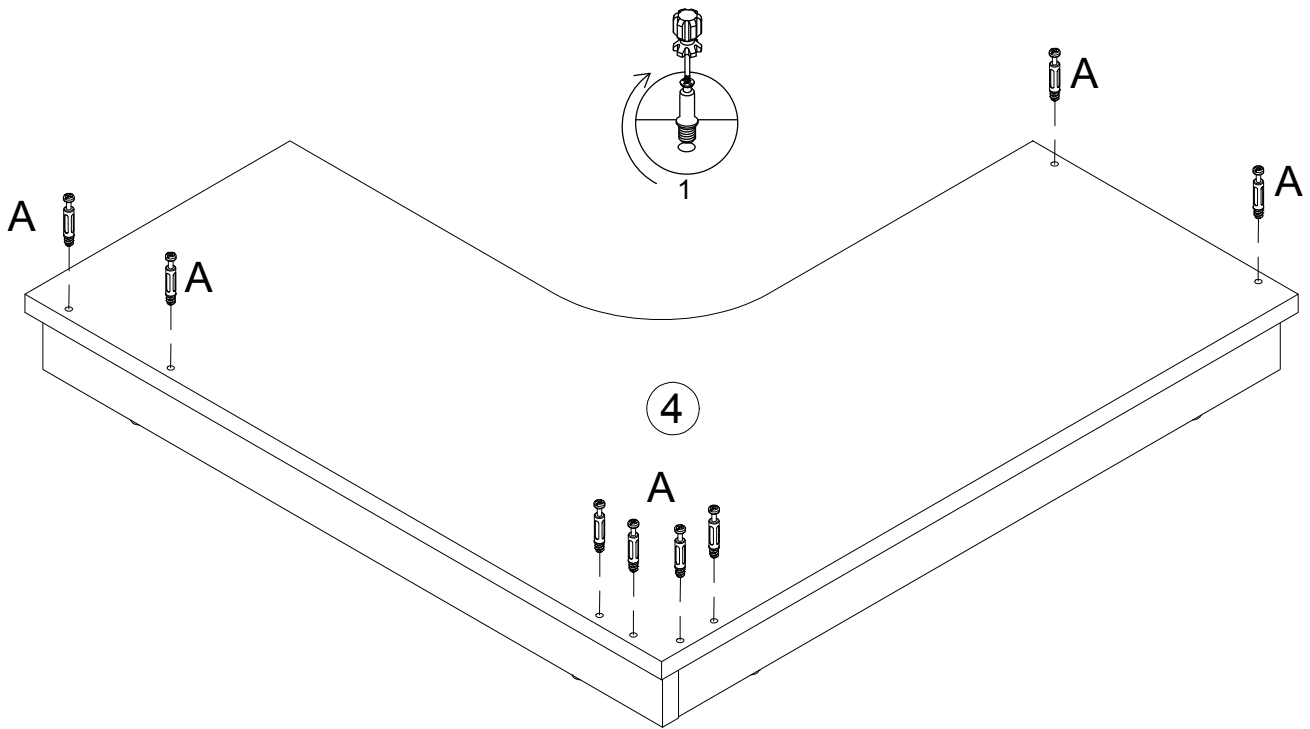
STEP 7



D	M6*10
	X12

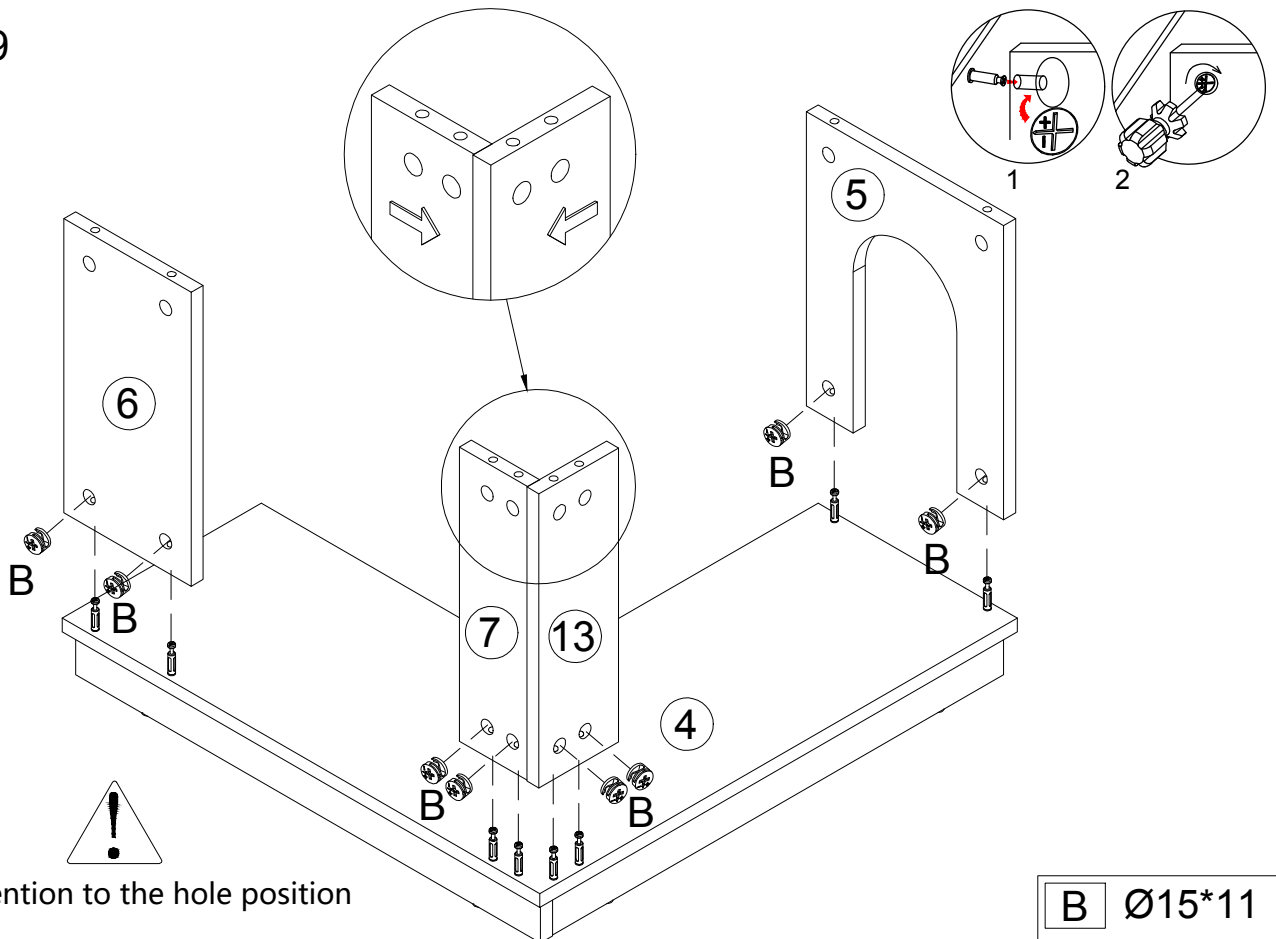
ASSEMBLY INSTRUCTION

STEP 8



A ST6*40
X8

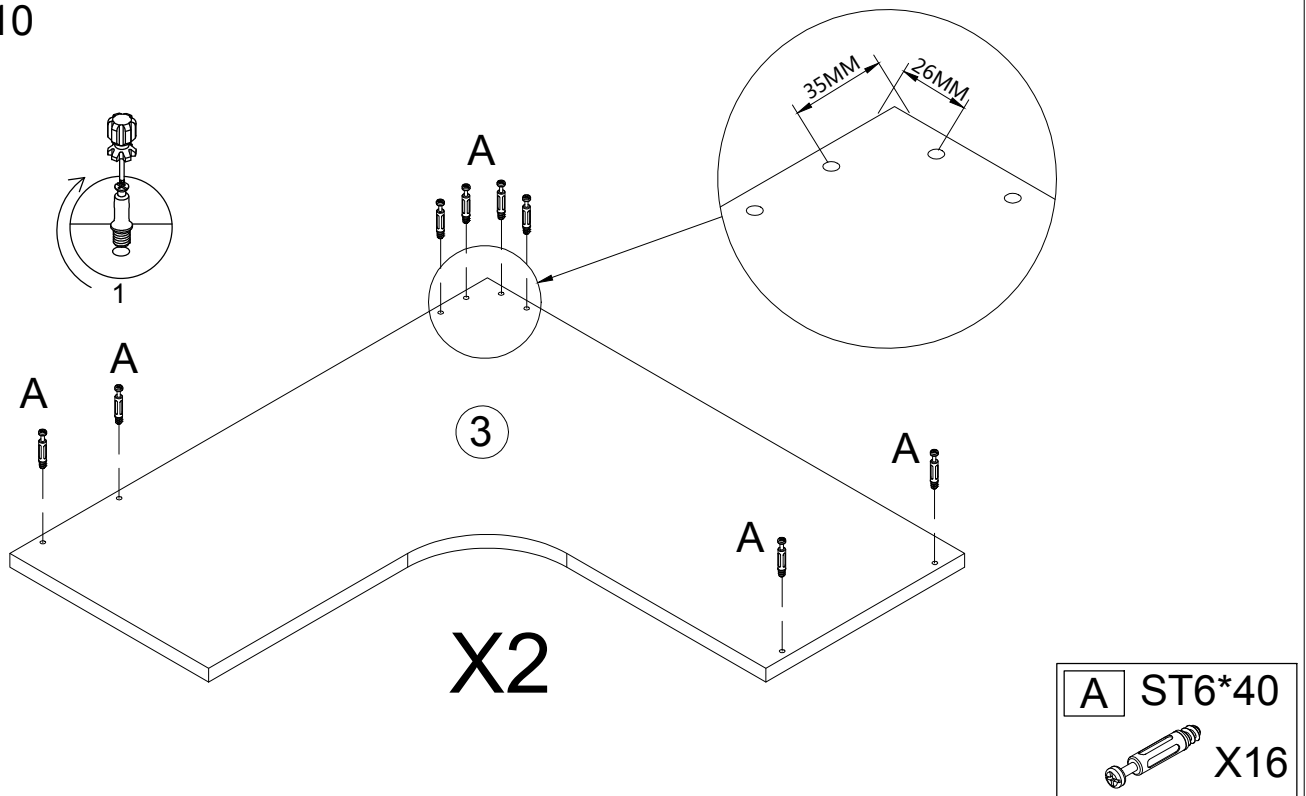
STEP 9



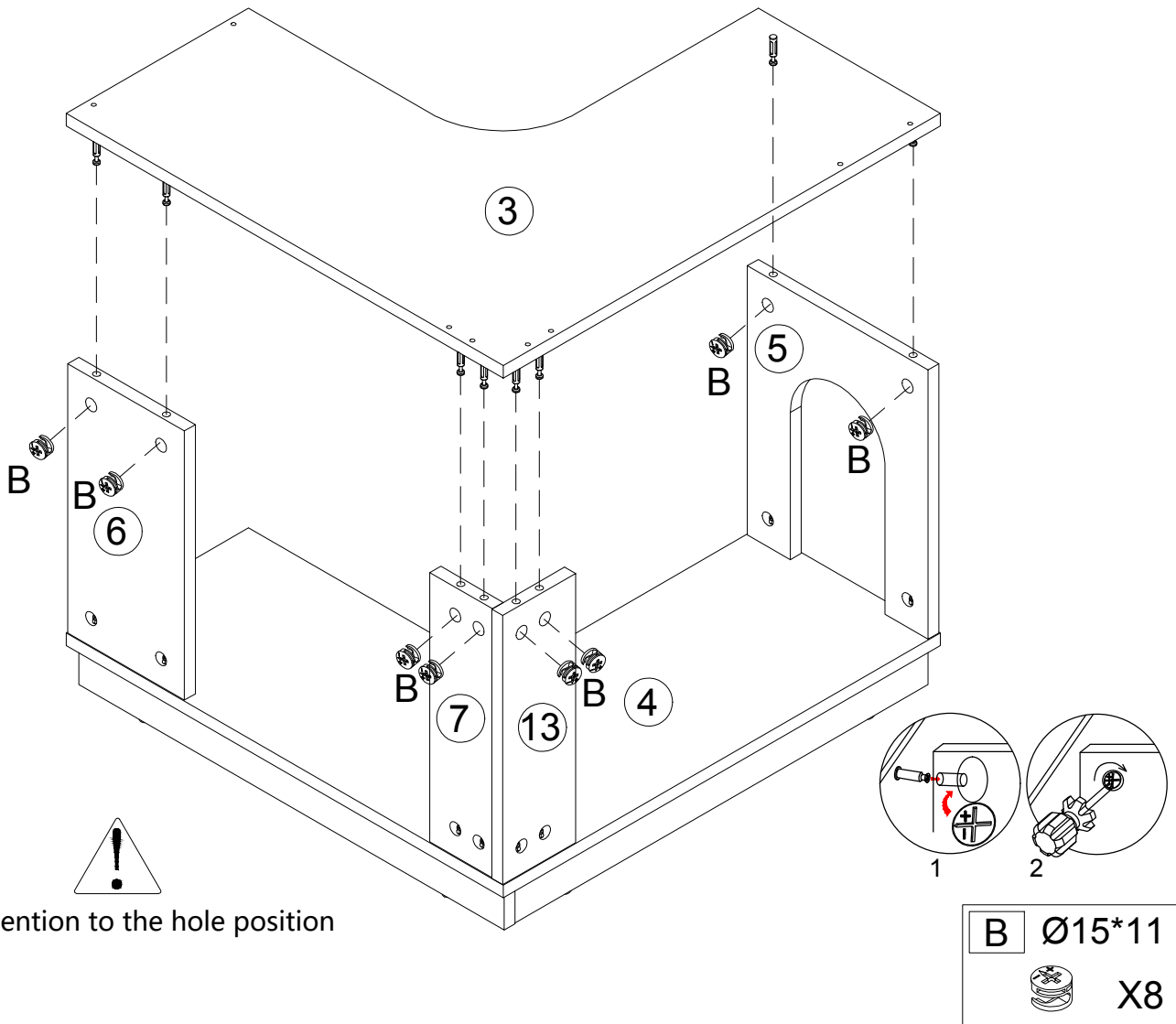
B Ø15*11
X8

ASSEMBLY INSTRUCTION

STEP 10

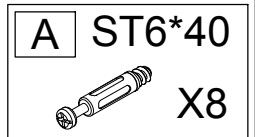
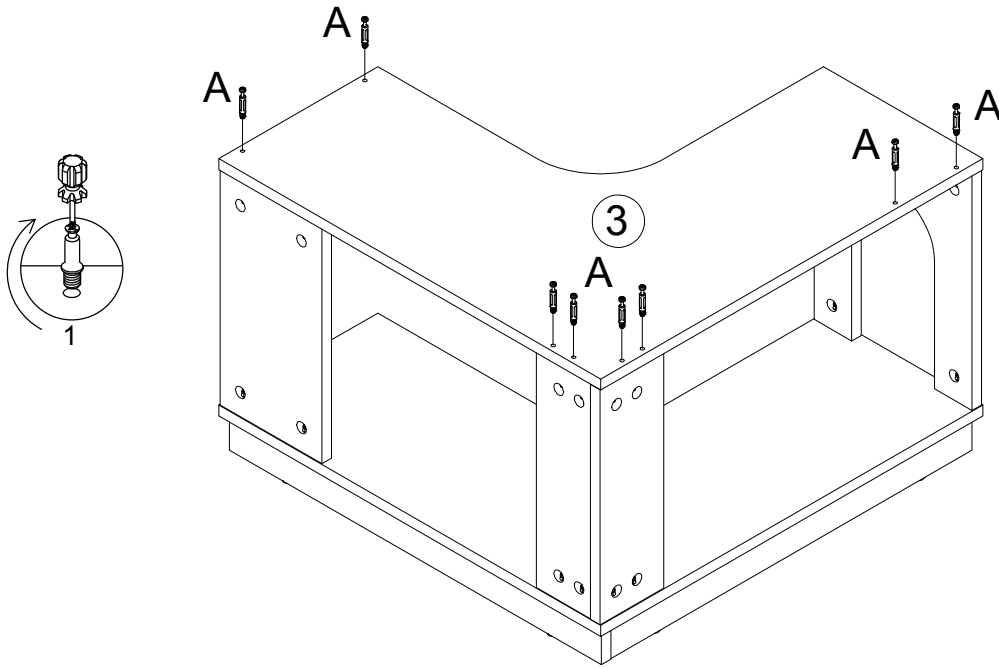


STEP 11

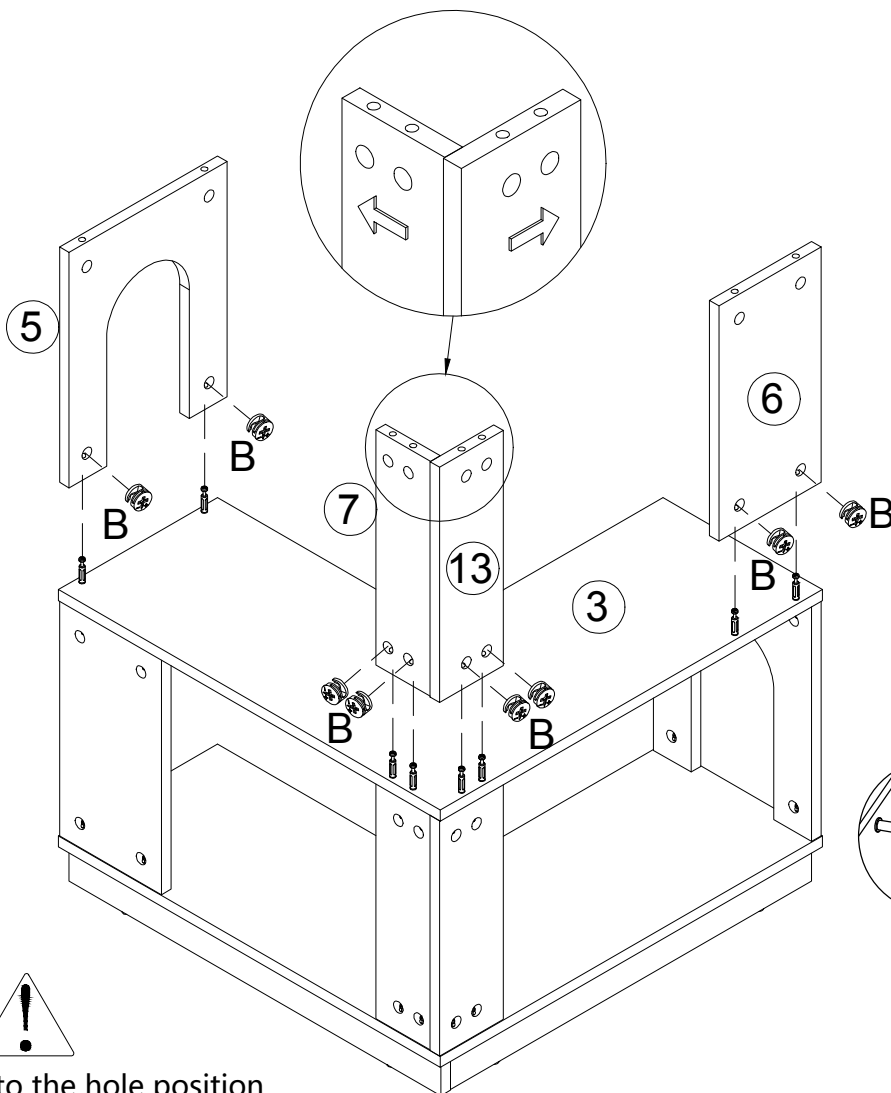


ASSEMBLY INSTRUCTION

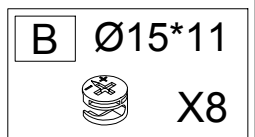
STEP 12



STEP 13

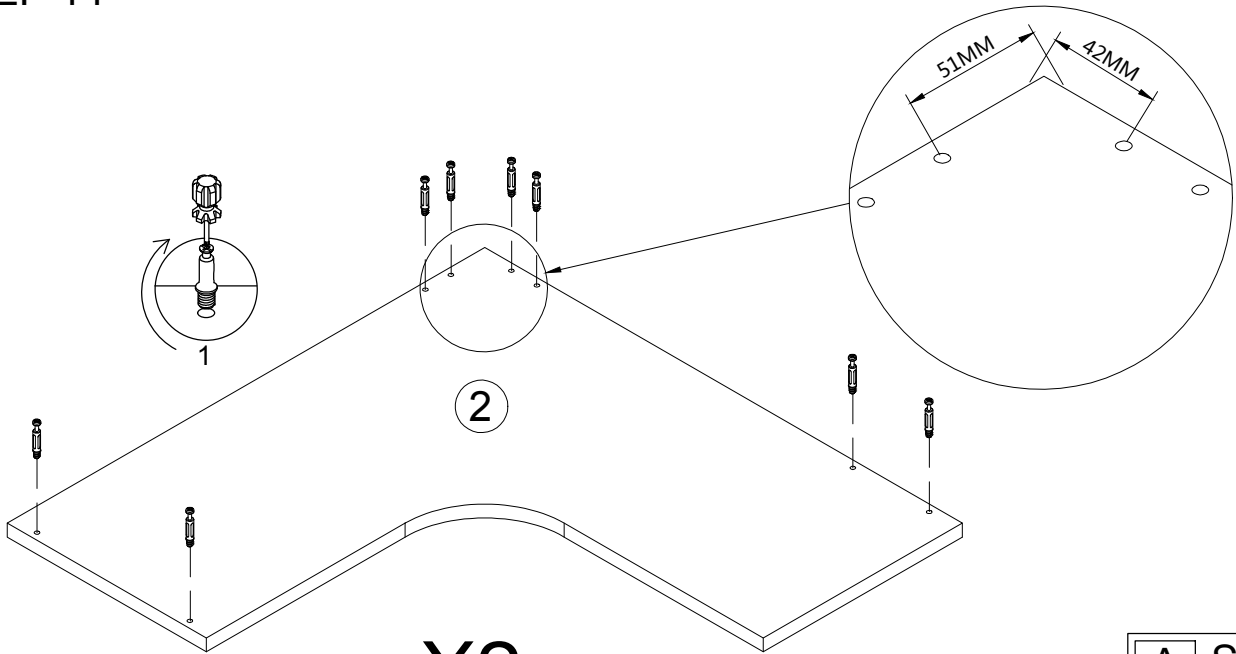


Pay attention to the hole position

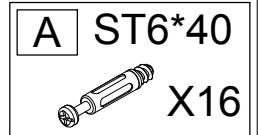


ASSEMBLY INSTRUCTION

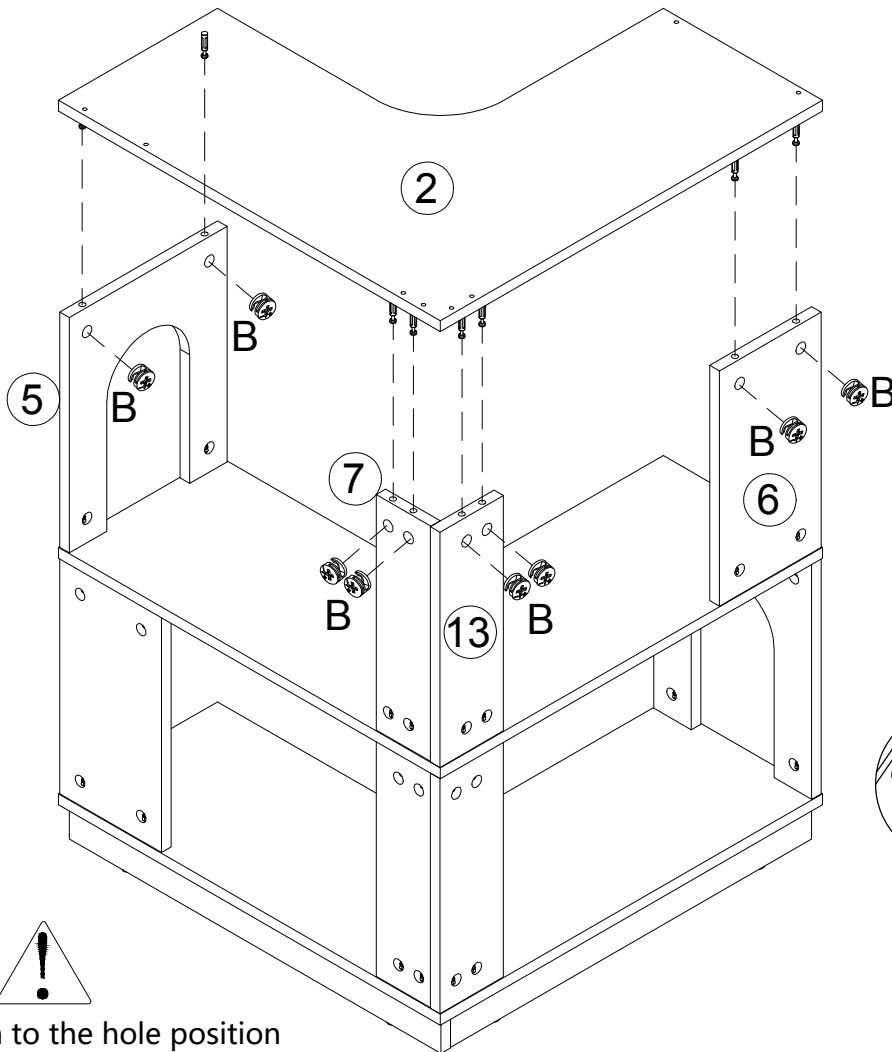
STEP 14



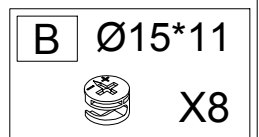
X2



STEP 15

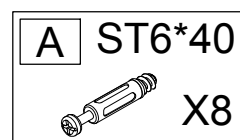
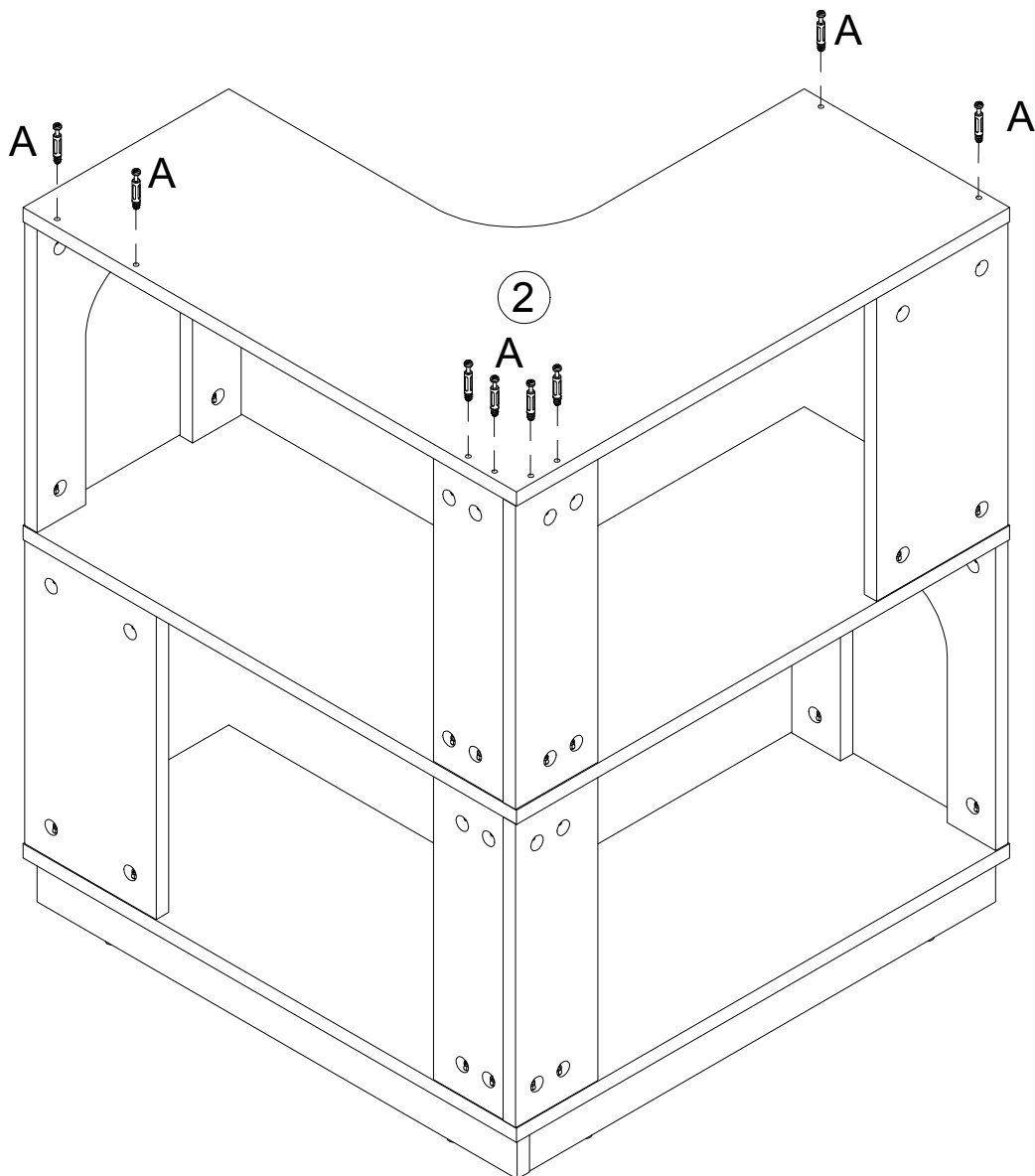
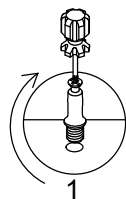


Pay attention to the hole position



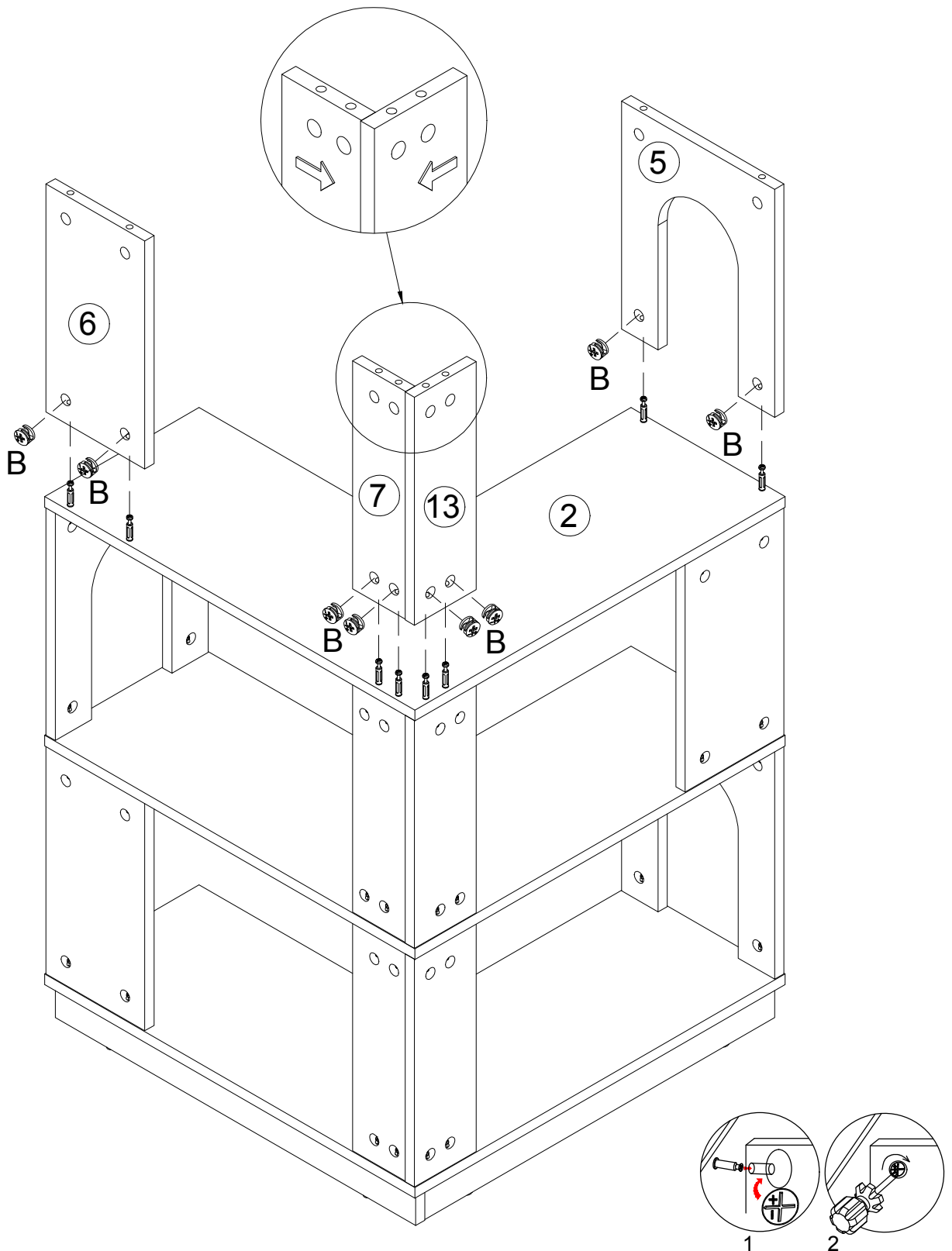
ASSEMBLY INSTRUCTION

STEP 16

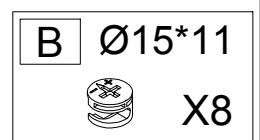


ASSEMBLY INSTRUCTION

STEP 17

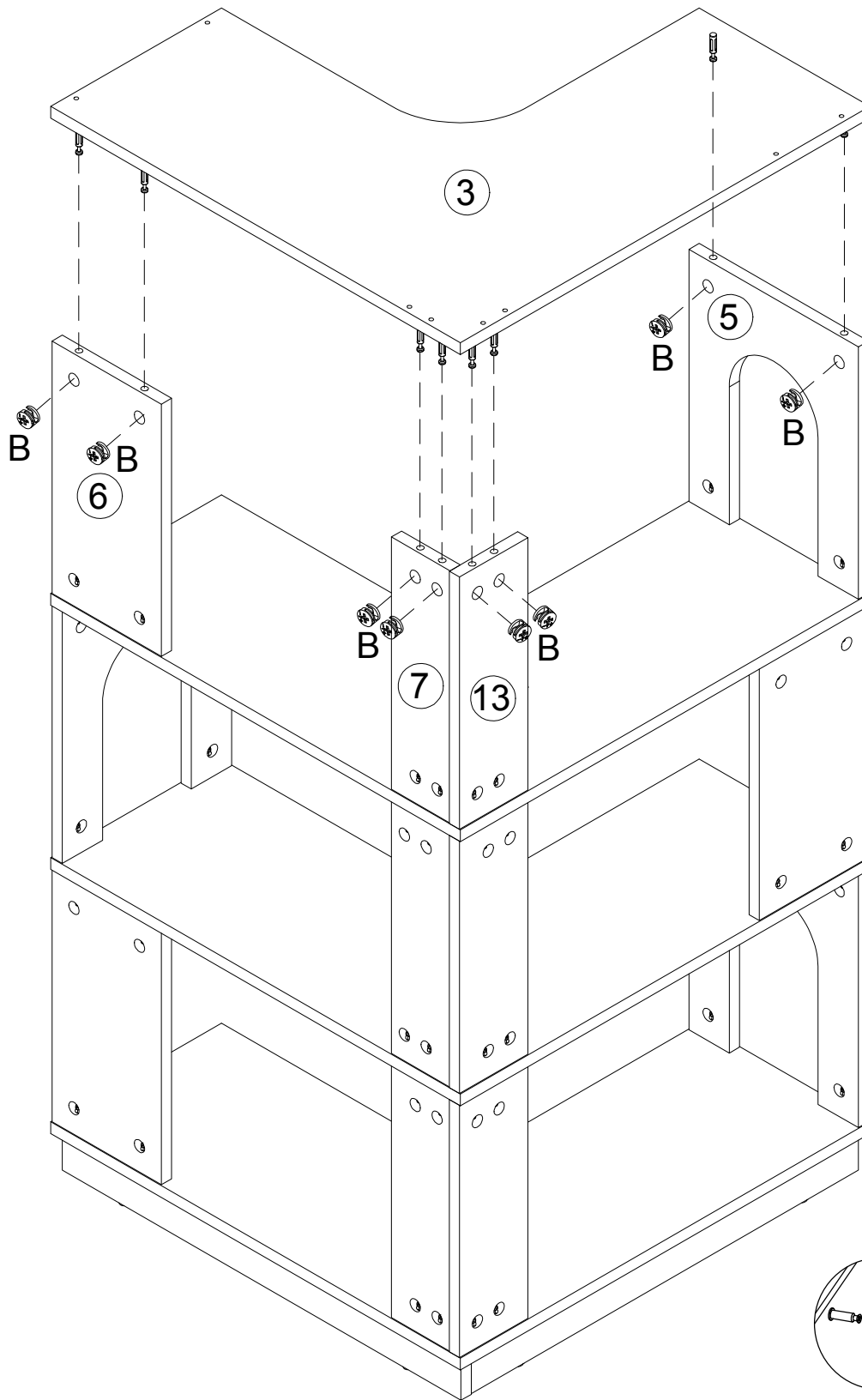


Pay attention to the hole position

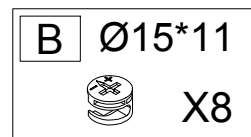


ASSEMBLY INSTRUCTION

STEP 18

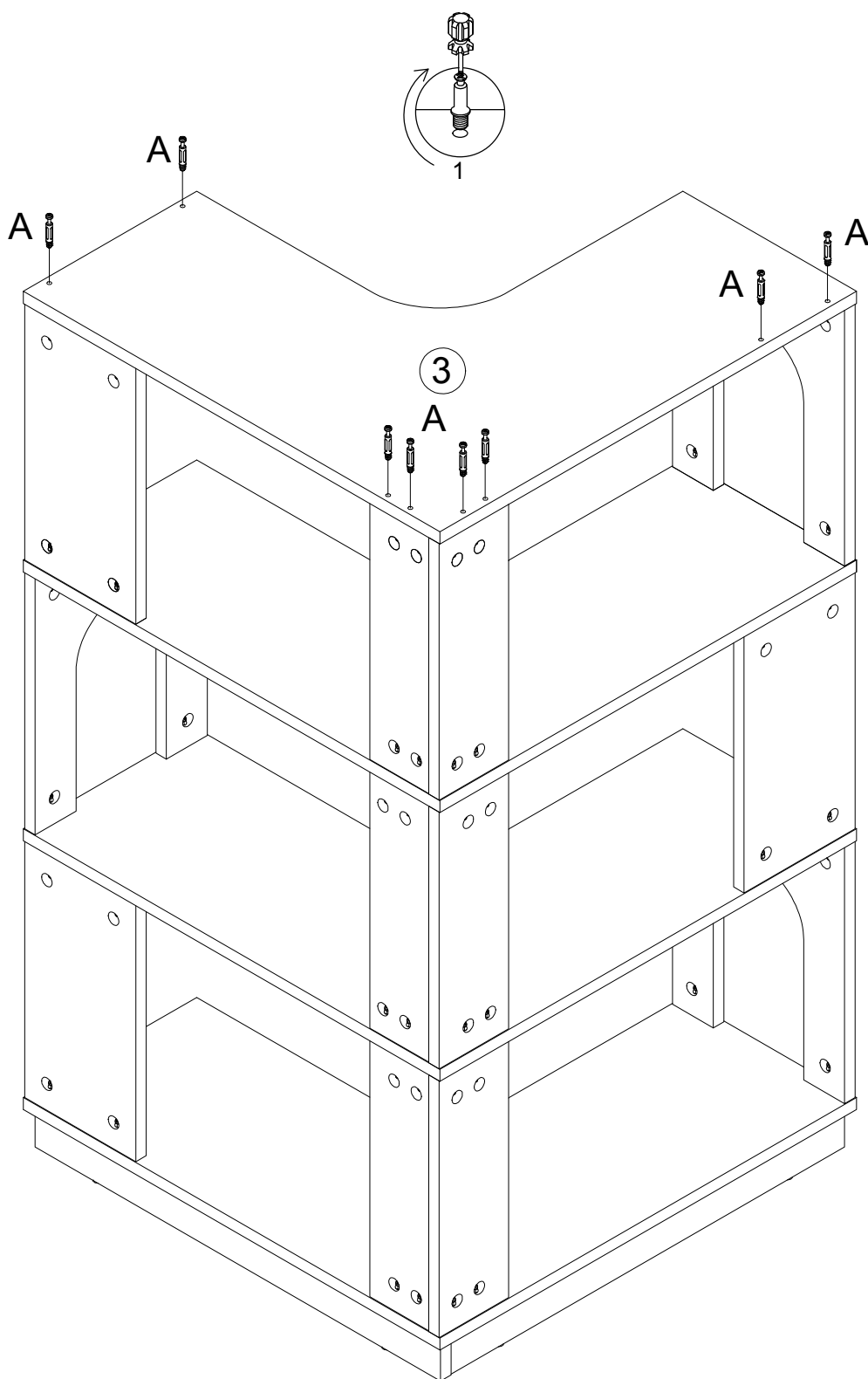



Pay attention to the hole position



ASSEMBLY INSTRUCTION

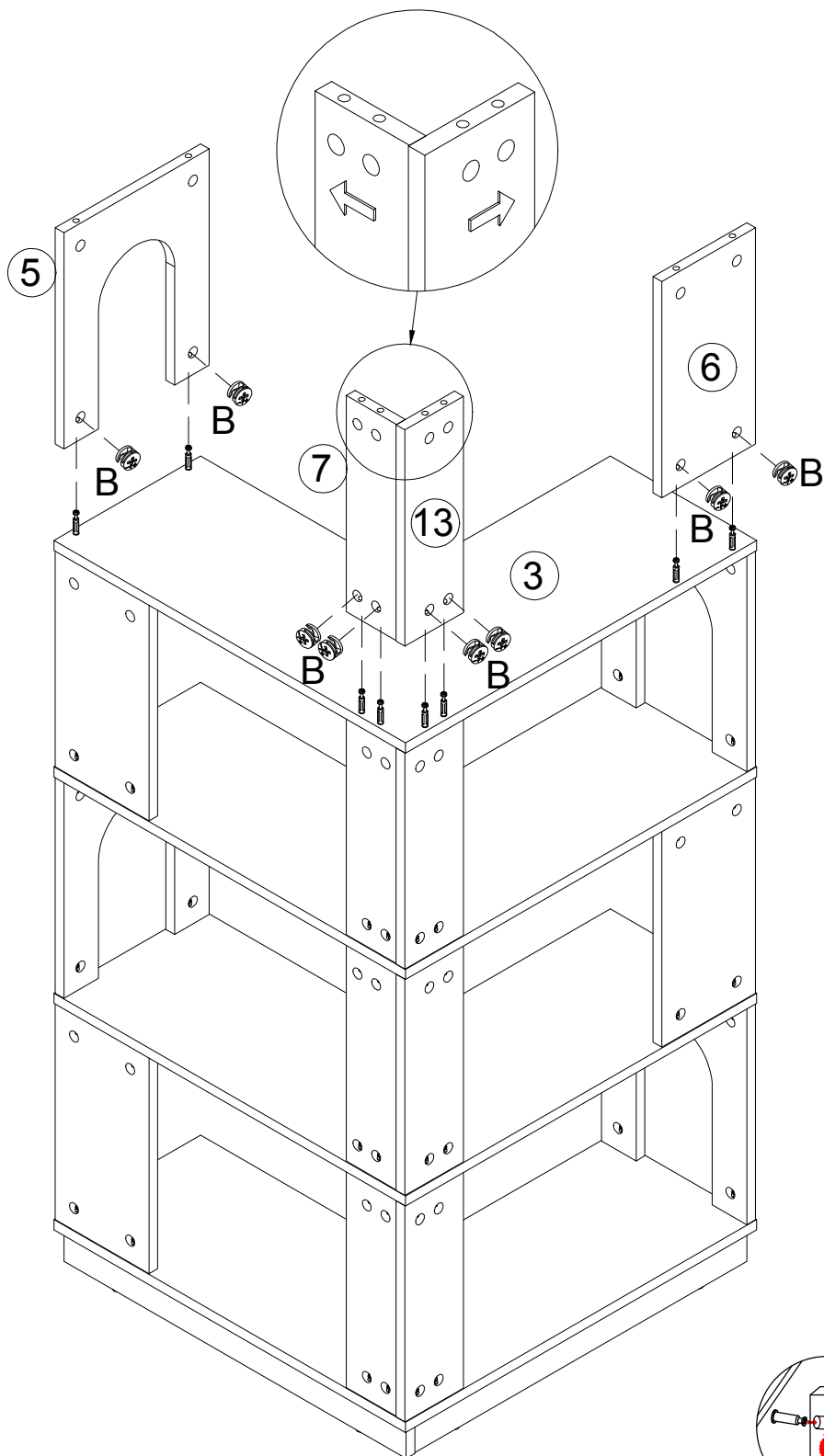
STEP 19



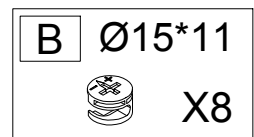
A	ST6*40
	X8

ASSEMBLY INSTRUCTION

STEP 20

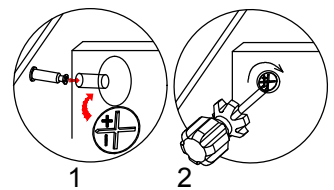
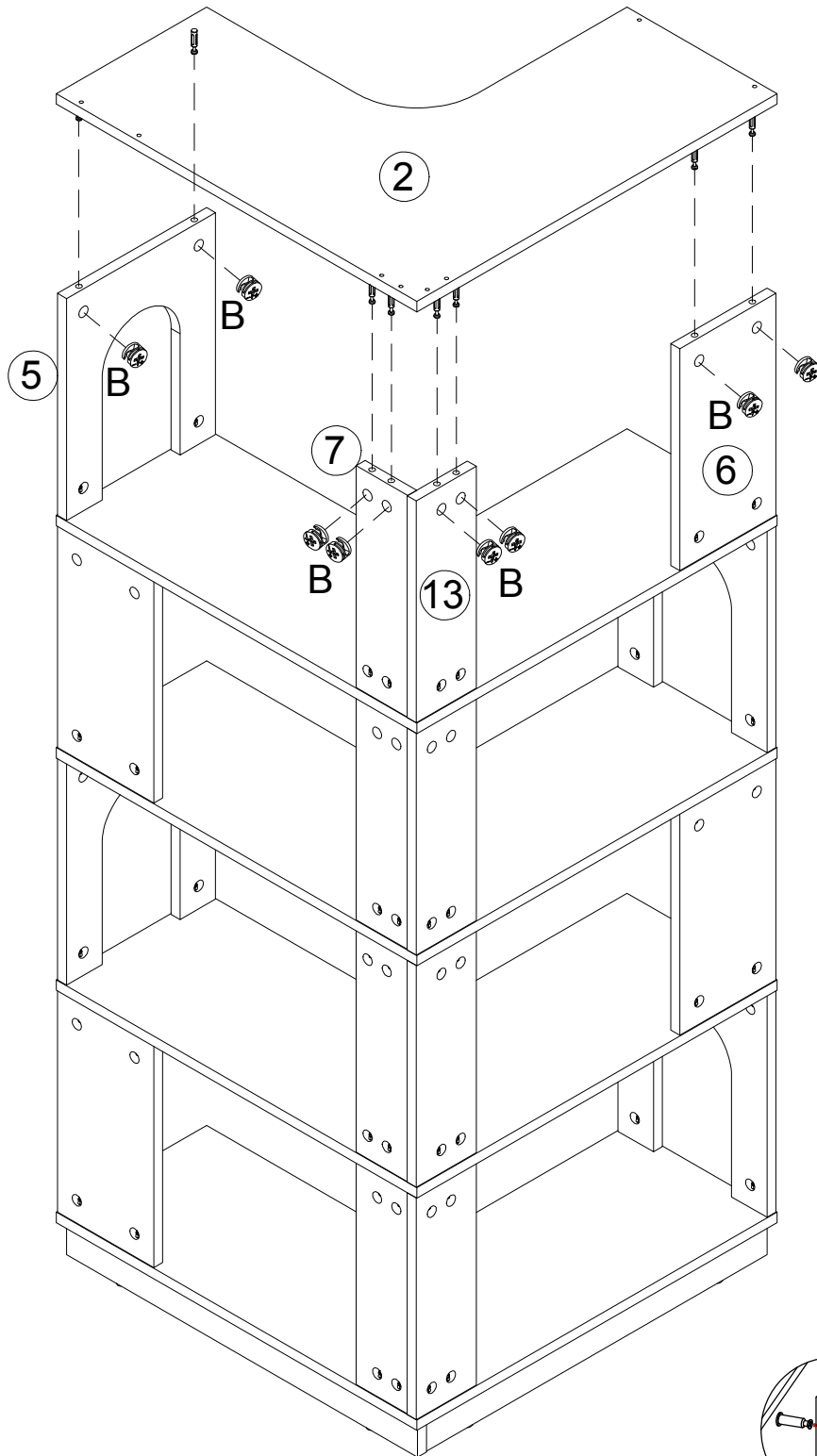


Pay attention to the hole position

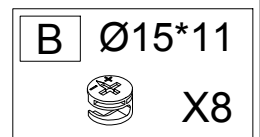


ASSEMBLY INSTRUCTION

STEP 21

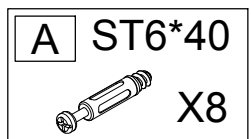
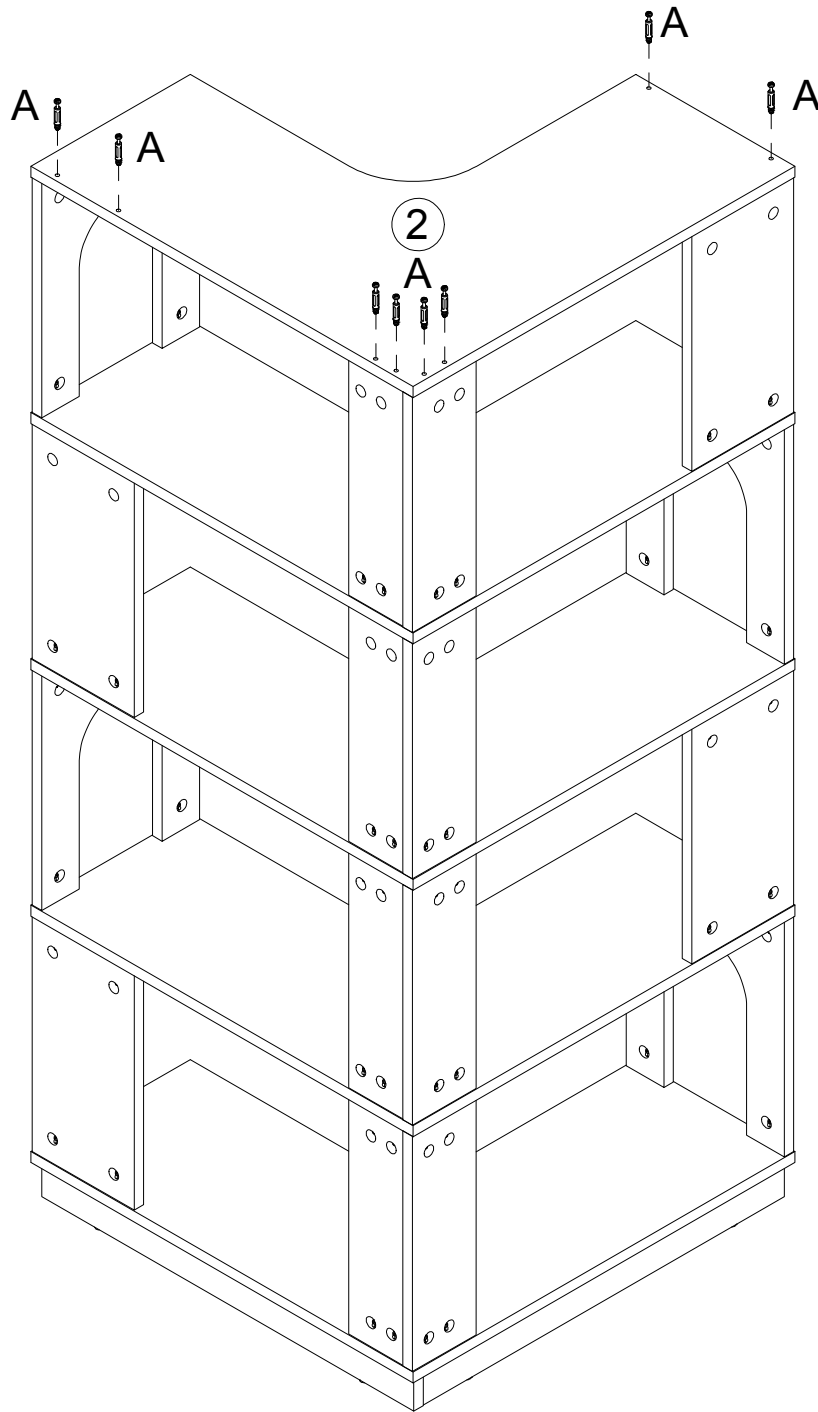
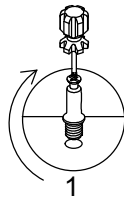


Pay attention to the hole position



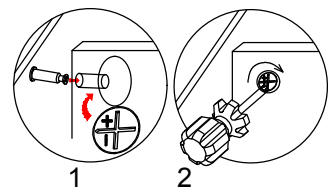
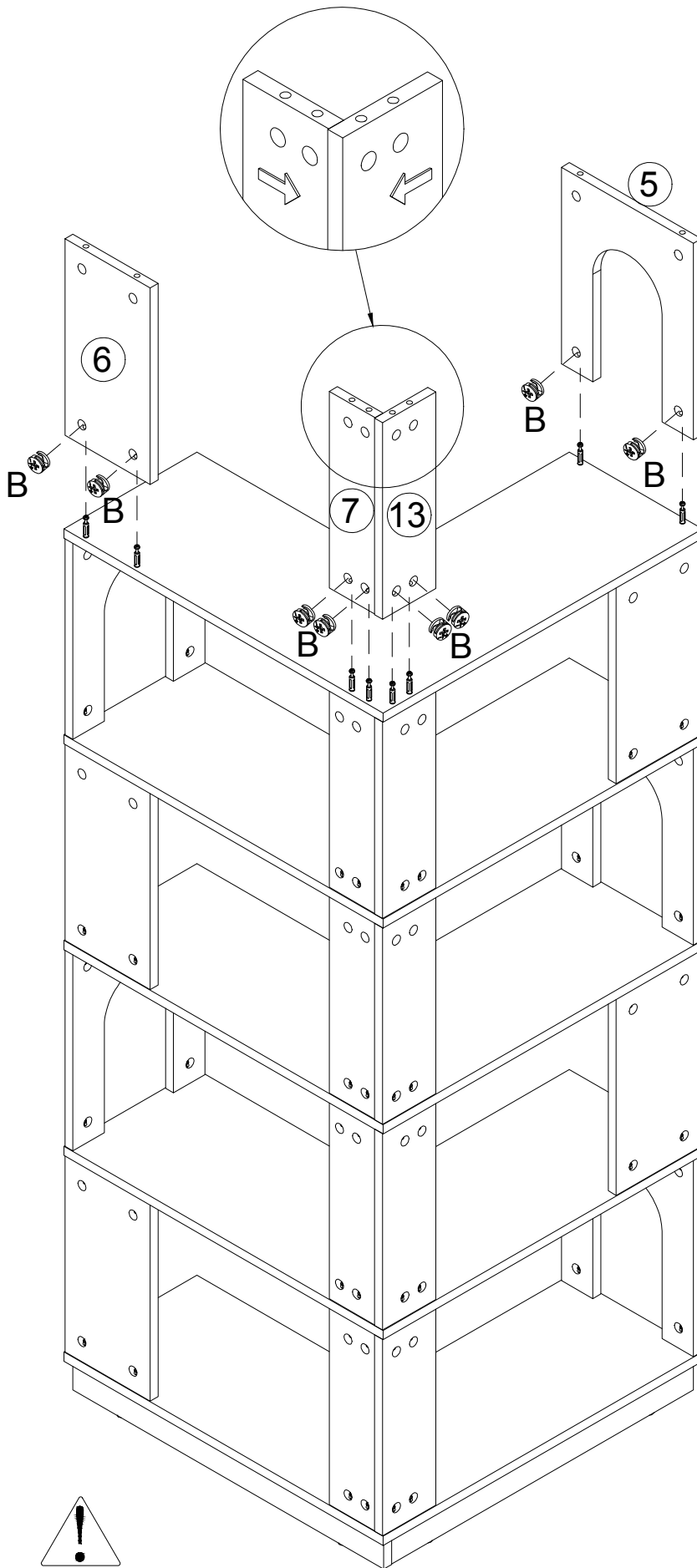
ASSEMBLY INSTRUCTION

STEP 22

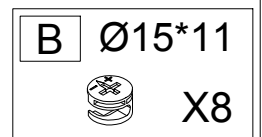


ASSEMBLY INSTRUCTION

STEP 23

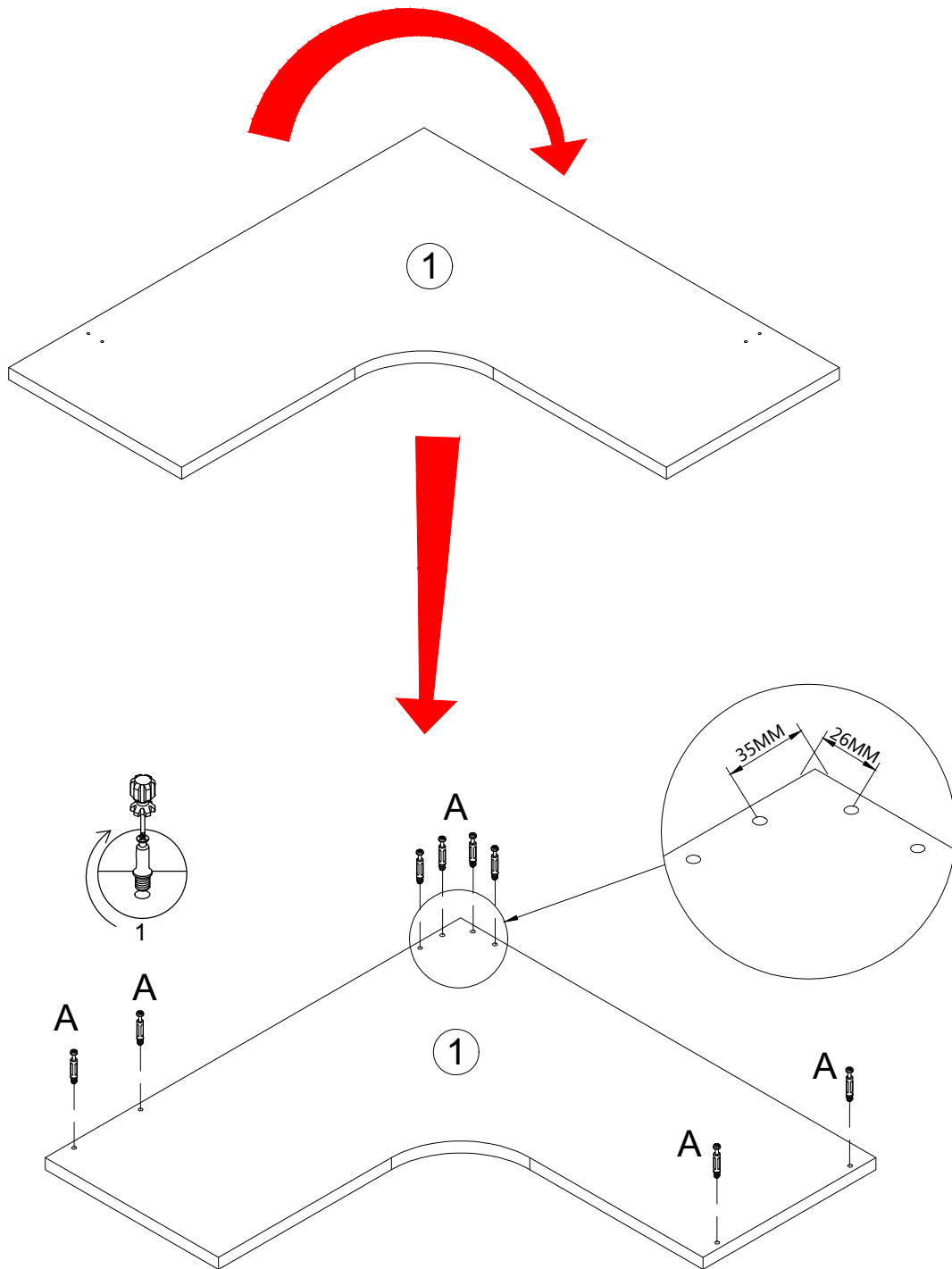


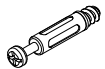
Pay attention to the hole position



ASSEMBLY INSTRUCTION

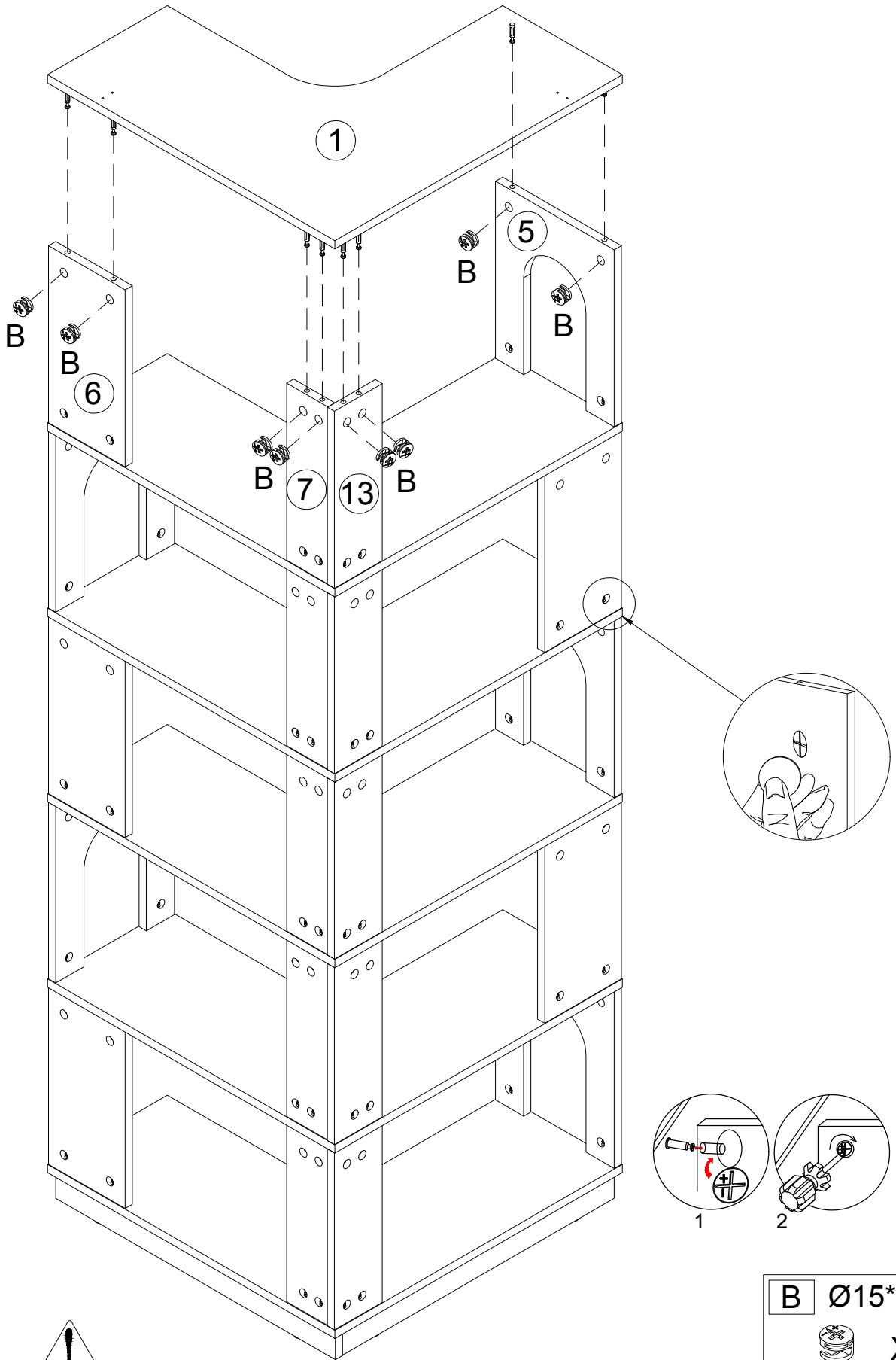
STEP 24





A	ST6*40
	X8

ASSEMBLY INSTRUCTION

STEP 25

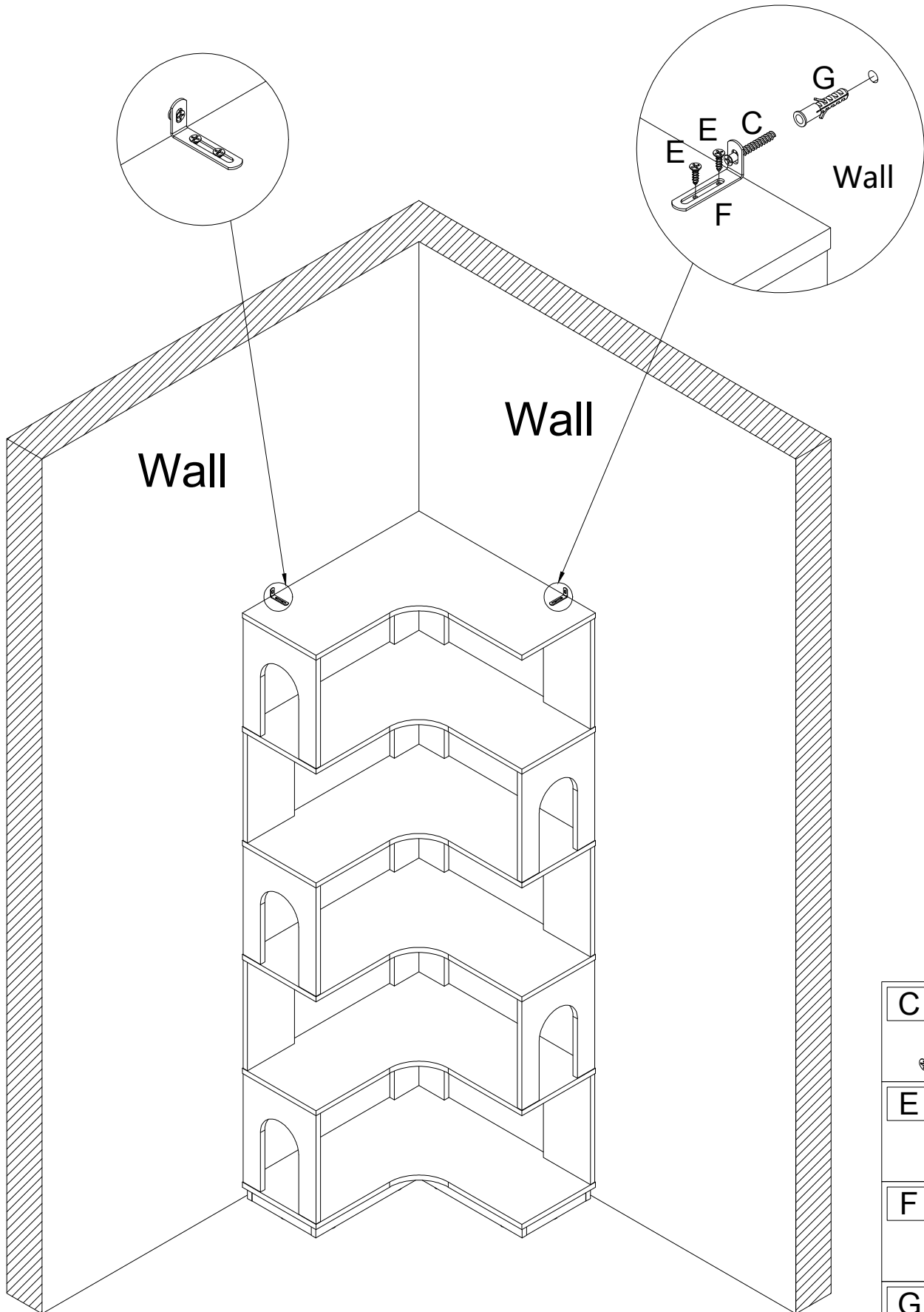



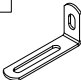

Pay attention to the hole position

B	Ø15*11
	X8
	Ø21 x 0.3
	X86

ASSEMBLY INSTRUCTION

STEP 26



C	M5*40		X2
E	M3.5*14		X4
F			X2
G			X2