

Sideboard



Estimated Time for Assembly

180 mins



Weight Limitation

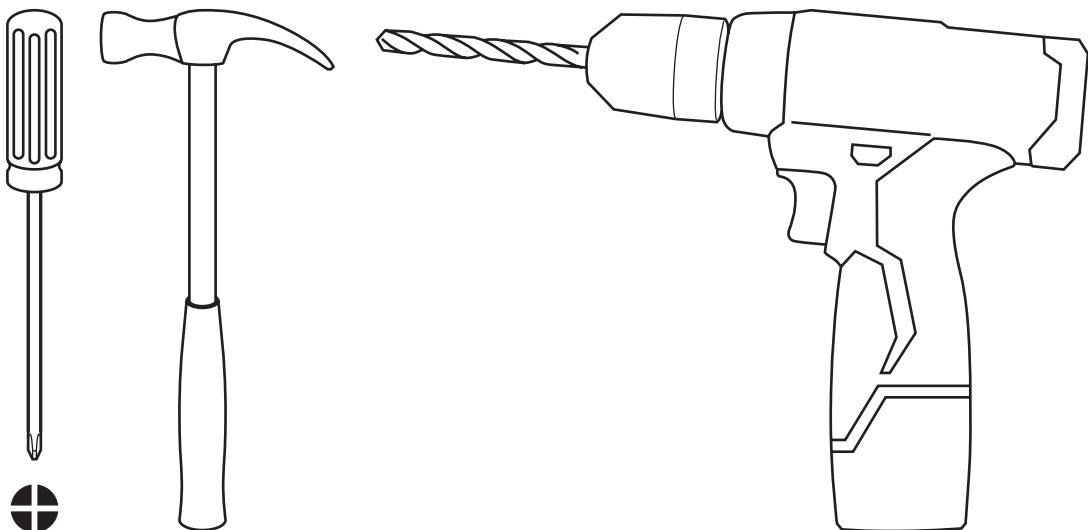
LB

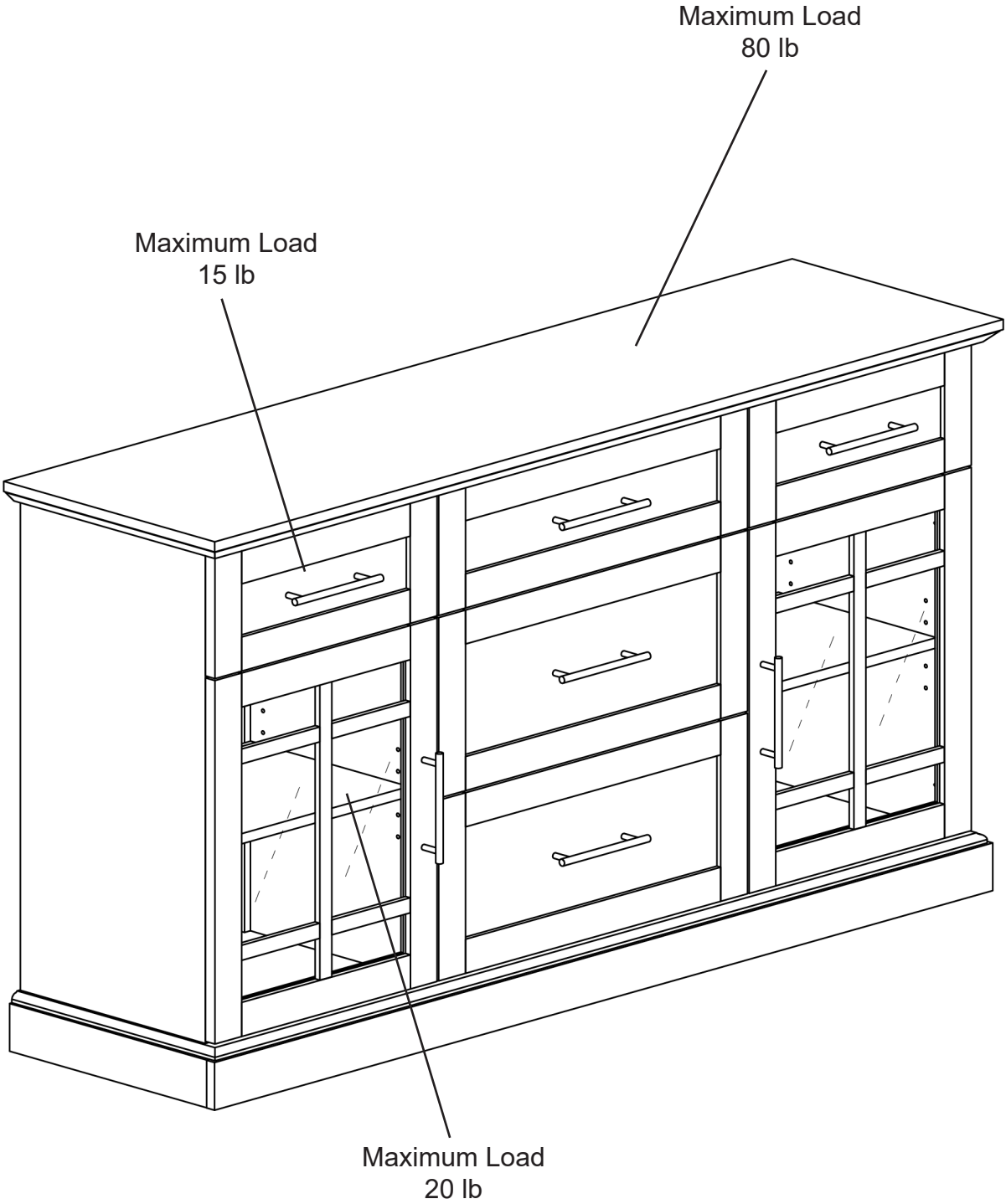
15 lb Drawer

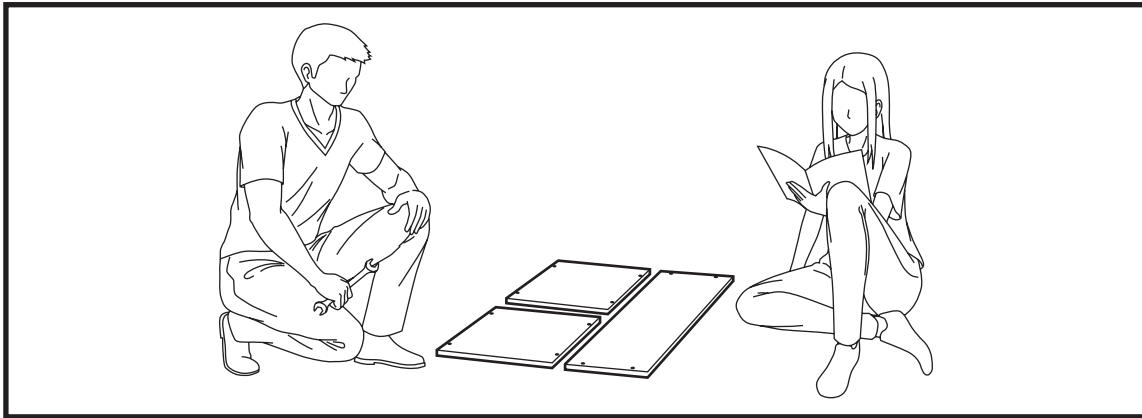
20 lb Shelf

80 lb Top

Tools Needed (Not included)







This furniture requires 2 people to assembly.

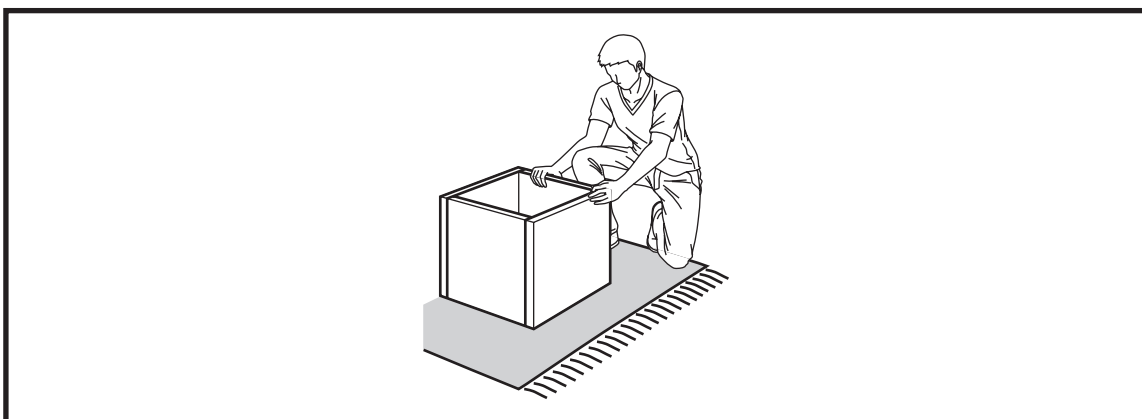
Read this instruction manual prior to assembly to familiarize yourself with various steps of construction.

Layout all components and hardware separately on flat surface and make sure no parts are missing or damaged before assembly. Do not destroy or discard any packaging until you are certain that you have all the necessary parts for the assembly

Caution

There are small components used in the construction of this product. Loose items should be kept away from pets and children to avoid choking hazard.

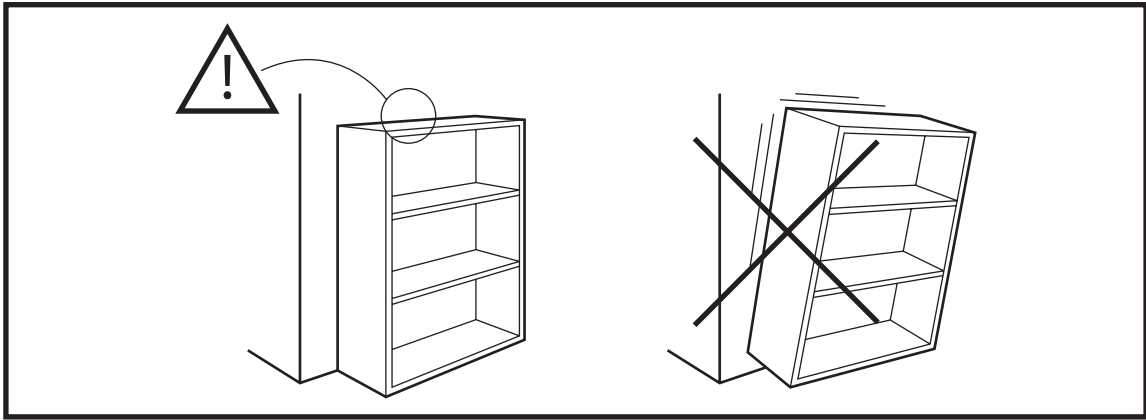
Keep all plastic bag and packaging film away from pets and children to avoid suffocation.



Assembly the furniture on empty carton, carpet, or rug to prevent scratches or damage.

Keep pets and children away from the assembly area.

Ensure the product is fully assembled before use. Do not use if there is any missing hardware or part.

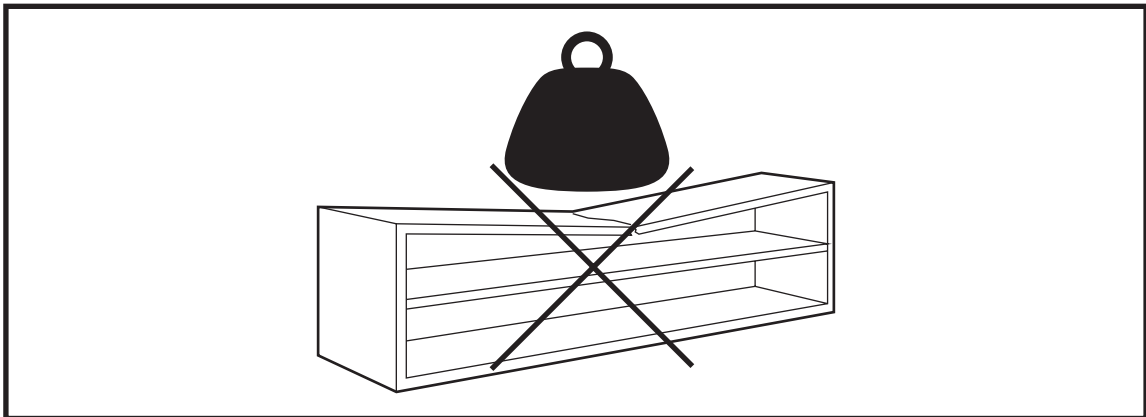


Warning

Serious or fatal crushing injuries may occur if the furniture tip-over. Furniture must permanently fixed to the wall with included anti-tipping device to prevent the furniture from tipping over.

Different wall materials require different types of fixing device, Use suitable fixing device to secure the stability and load bearing capacity of the furniture.

If you are uncertain about which type of fixing device to use, please contact your local hardware store.



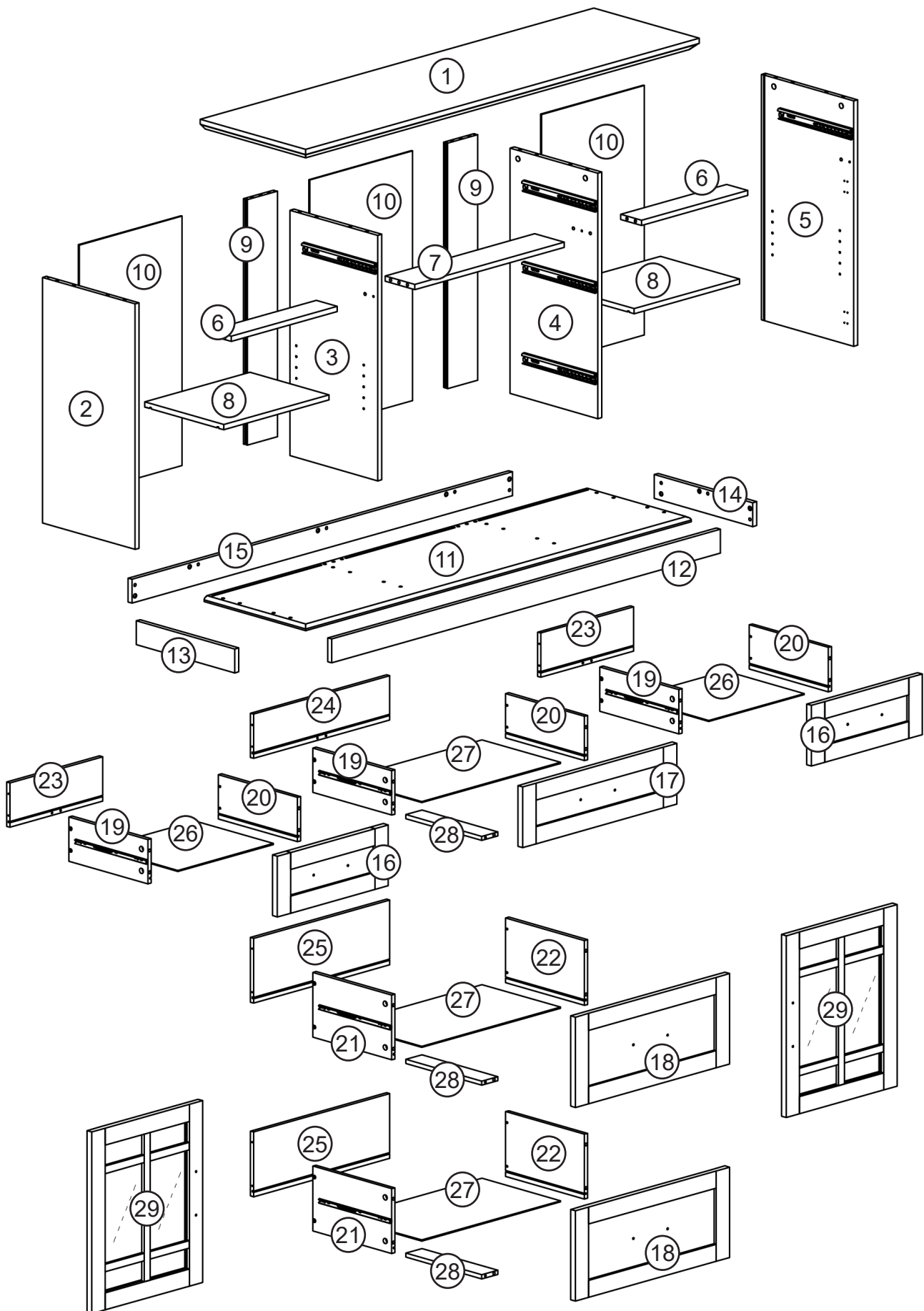
Warning

Only place equipment which meet the recommended size and weight limit of the product.

Climbing on, stepping on, or placing over weighted objects on the product may cause property damage and / or injuries.

Equipment placed on this product must be resting on a support surface without overhanging any parts over the edges.

PACKAGE CONTENT



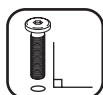
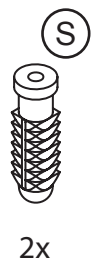
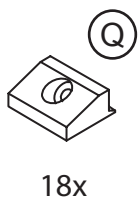
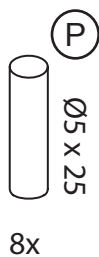
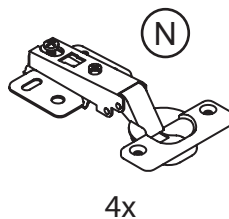
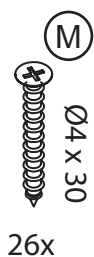
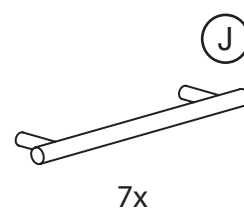
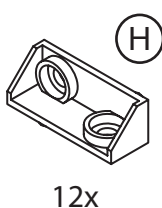
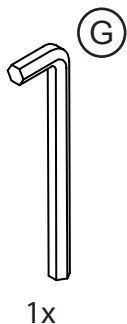
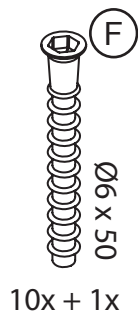
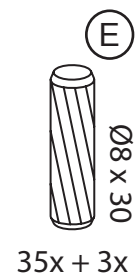
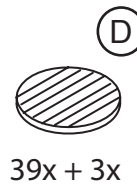
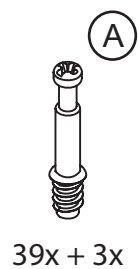
PACKAGE CONTENT (A)

CODE	DESCRIPTION	QTY
1	Top Board	1
2	Left Side Panel	1
3	Left Center Panel	1
4	Right Center Panel	1
5	Right Side Panel	1
6	Side Cross Bar	2
7	Center Cross Bar	1
8	Adjustable Storage Board	2
9	Back Panel Support	2
10	Back Panel	3
11	Bottom Board	1
12	Front Leg	1
13	Left Leg	1
14	Right Leg	1
15	Back Leg	1
16	Upper Side Drawer Front Panel	2
17	Upper Drawer Front Panel	1
18	Bottom Drawer Front Panel	2
19	Upper Drawer Left Panel	3
20	Upper Drawer Right Panel	3
21	Bottom Drawer Left Panel	2

PACKAGE CONTENT (B)

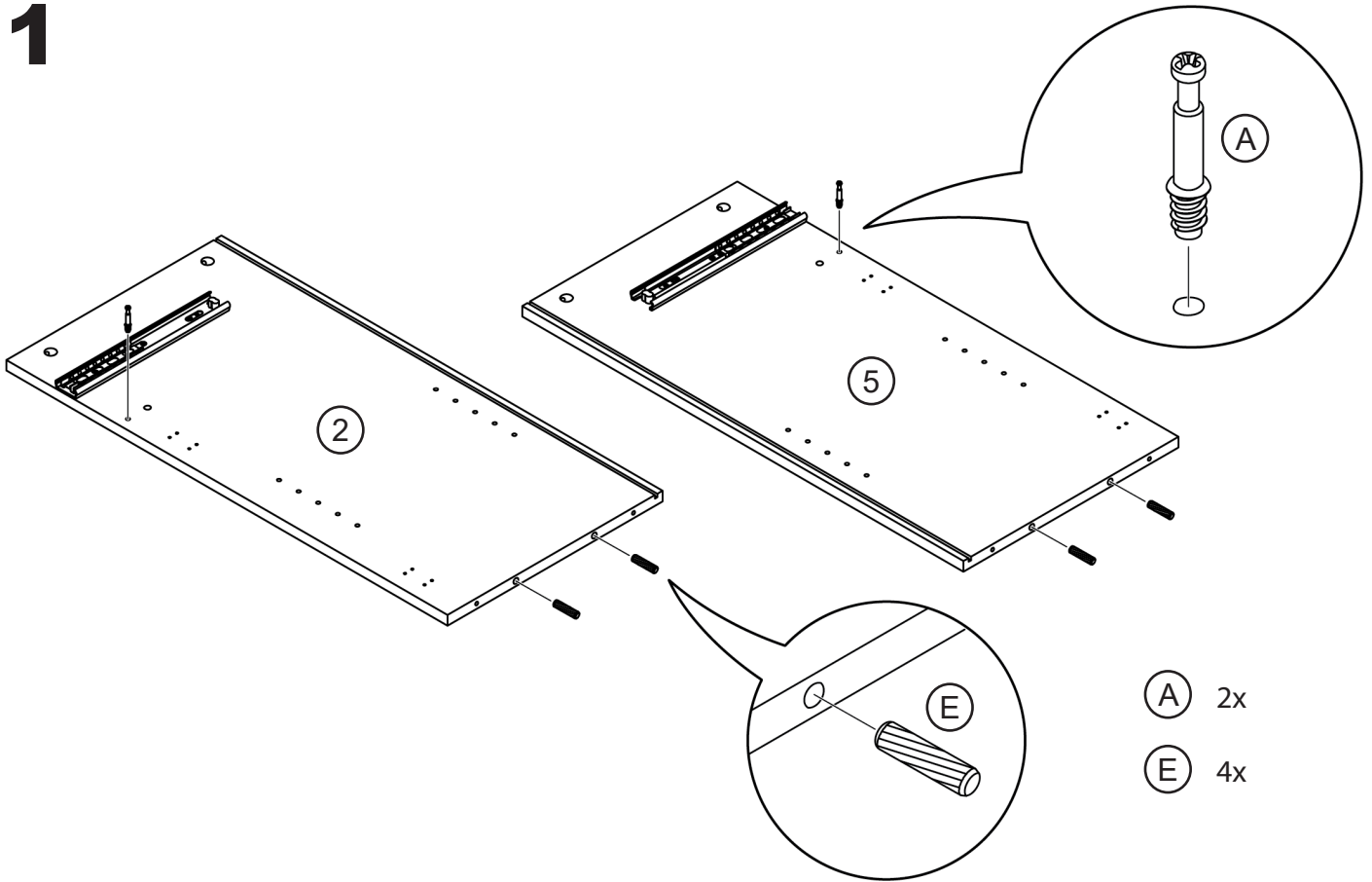
CODE	DESCRIPTION	QTY
22	Bottom Drawer Right Panel	2
23	Upper Side Drawer Back Panel	2
24	Upper Center Drawer Back Panel	1
25	Bottom Drawer Back Panel	2
26	Upper Side Drawer Bottom Board	2
27	Bottom Drawer Bottom Board	3
28	Drawer Support Bar	3
29	Storage Door	2

PACKAGE CONTENT

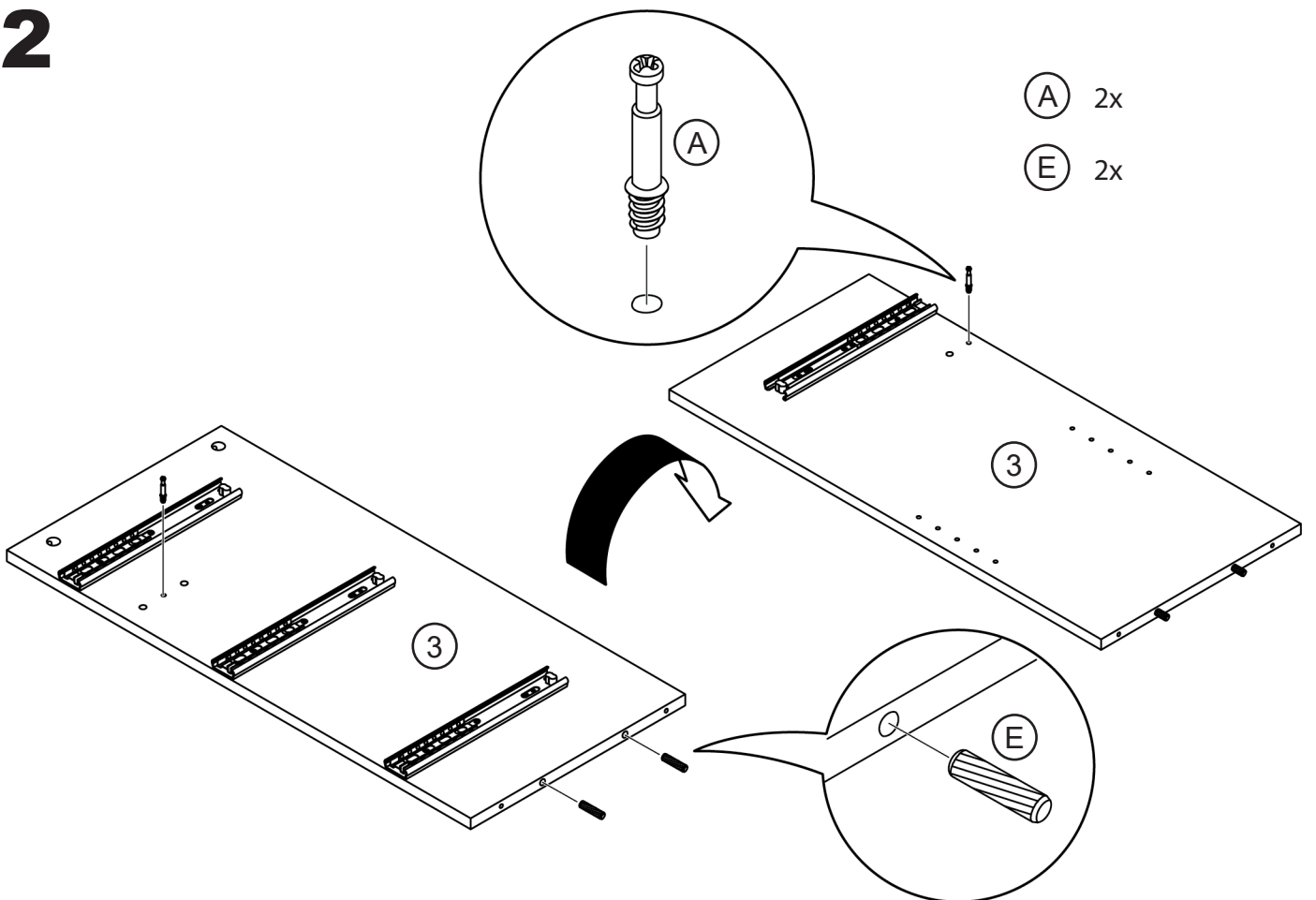


Install all hardware perpendicular to the opening.

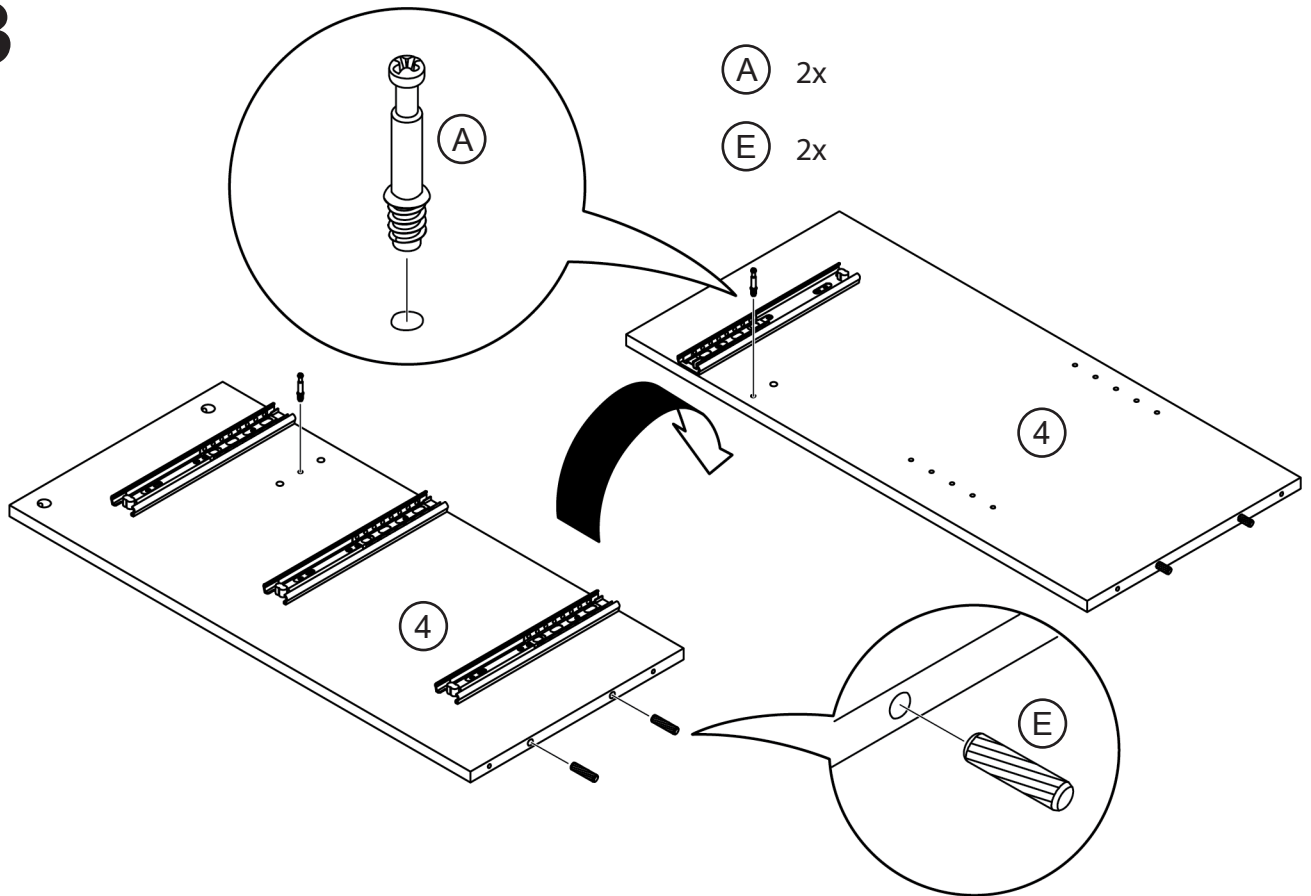
1



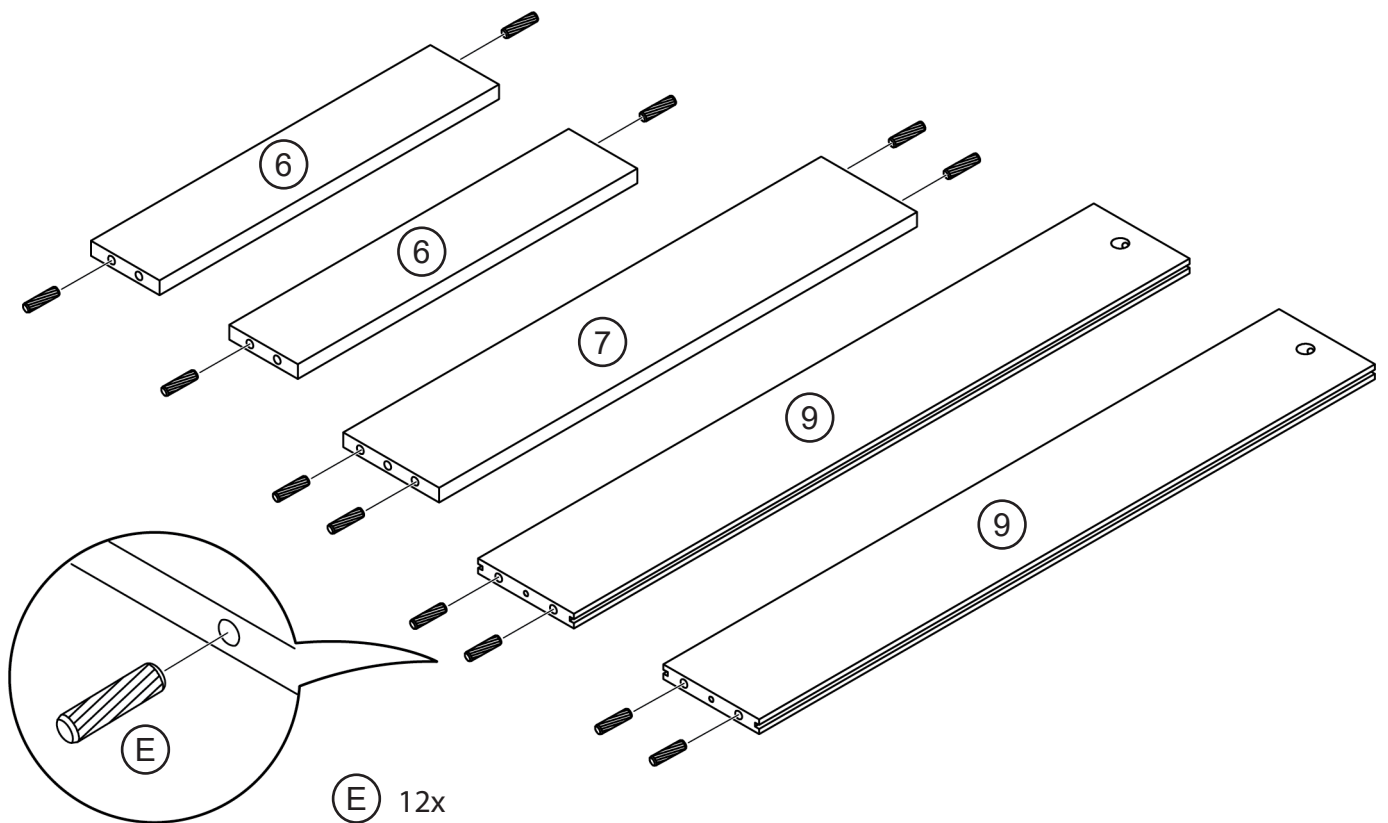
2



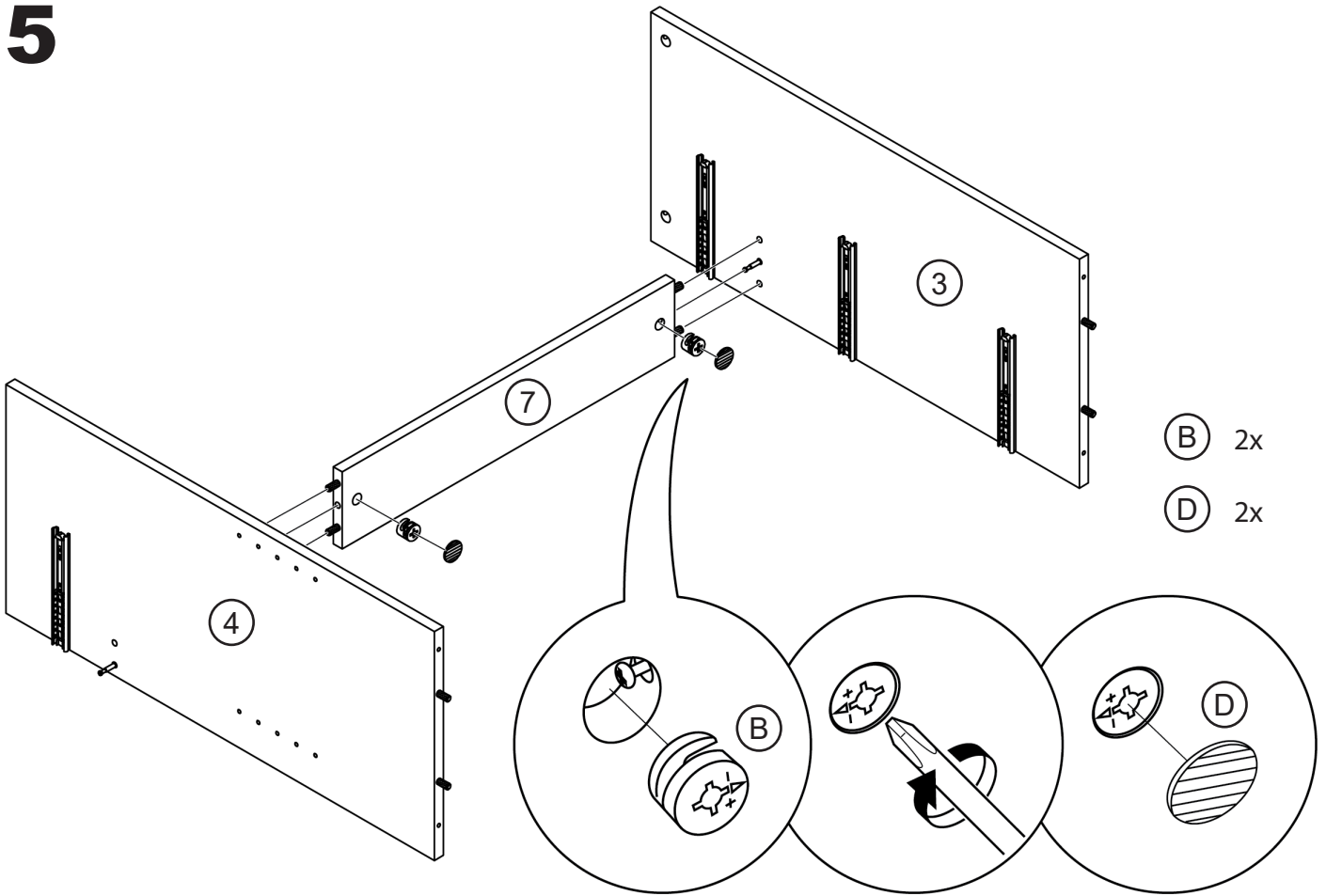
3



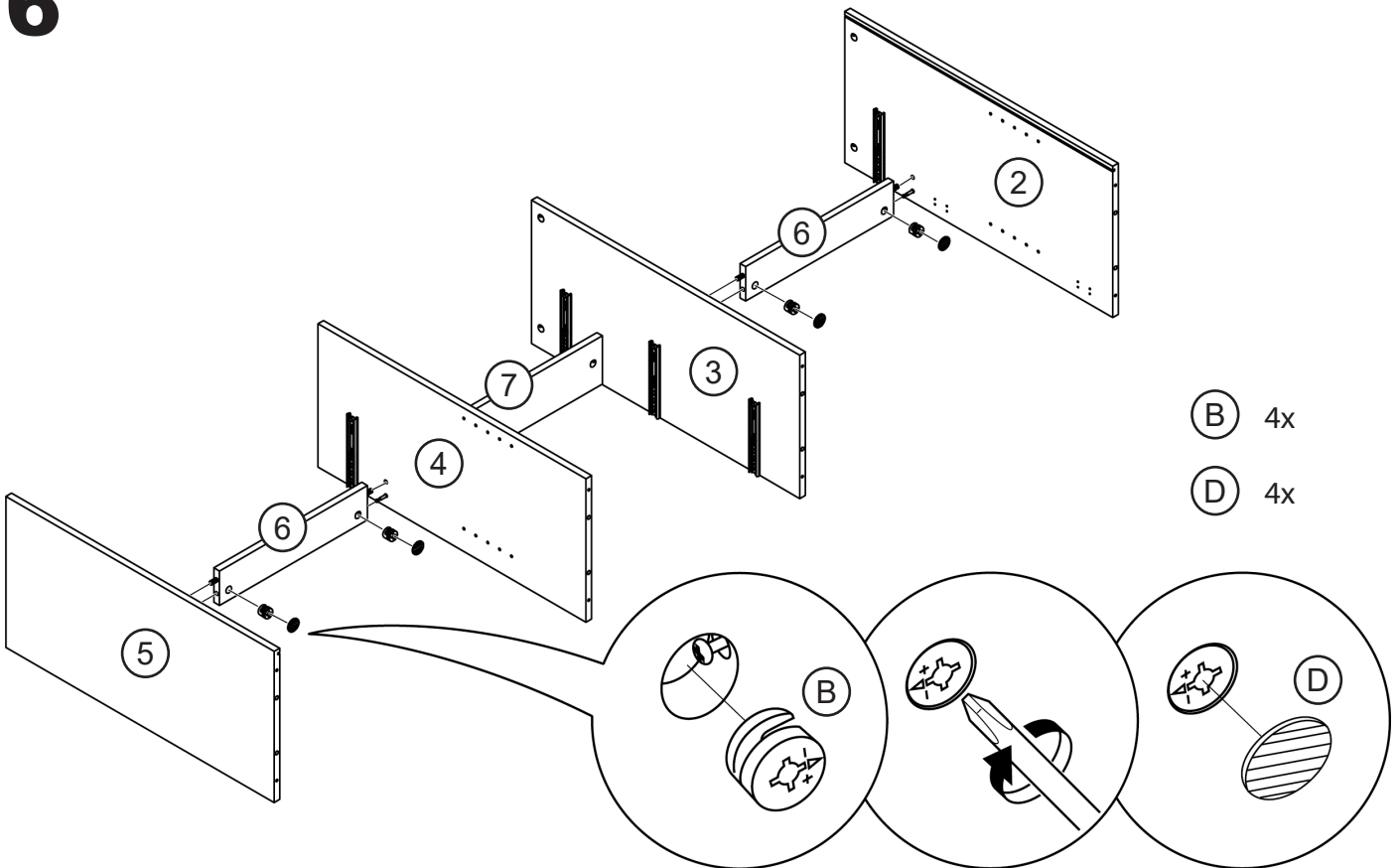
4



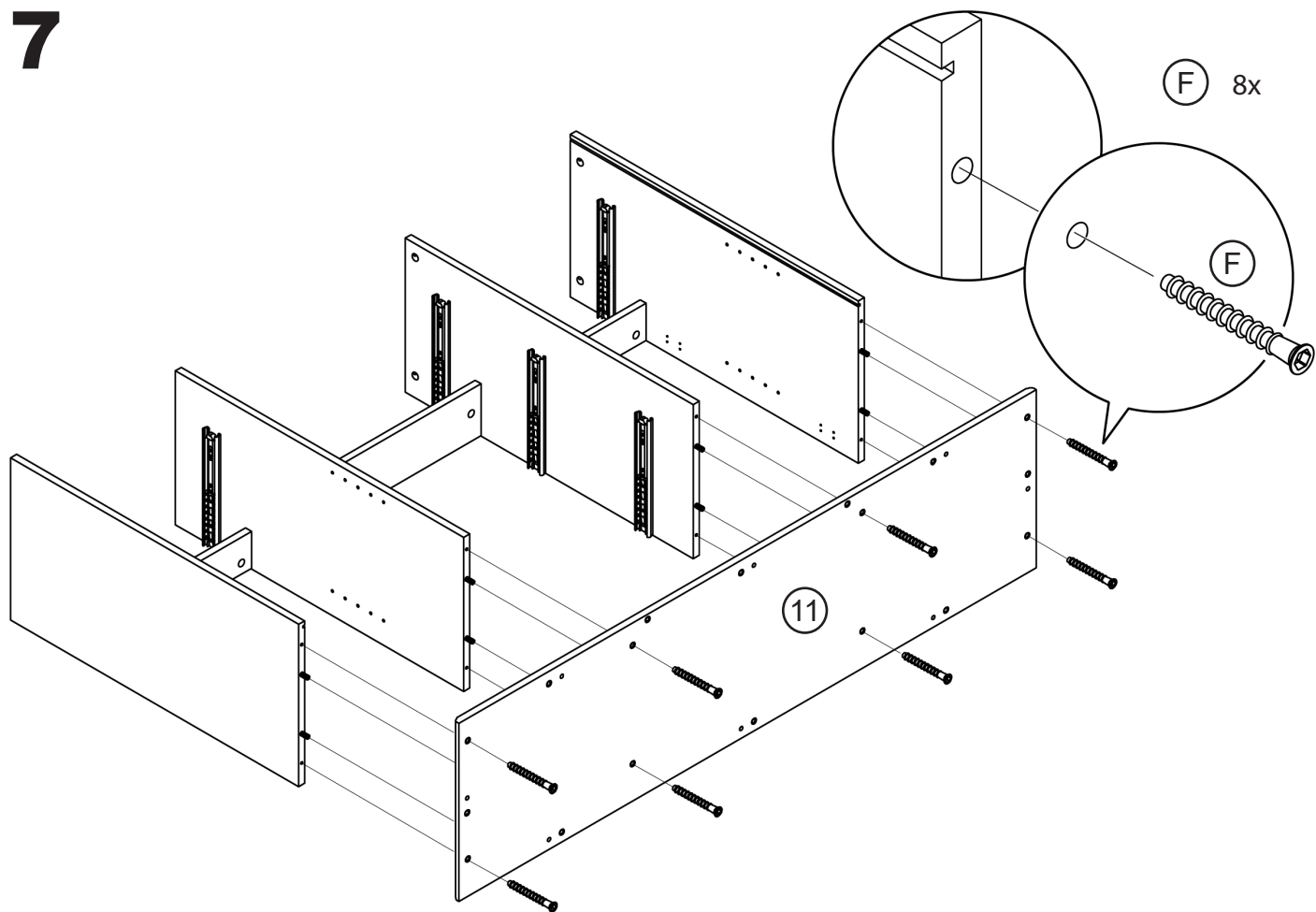
5



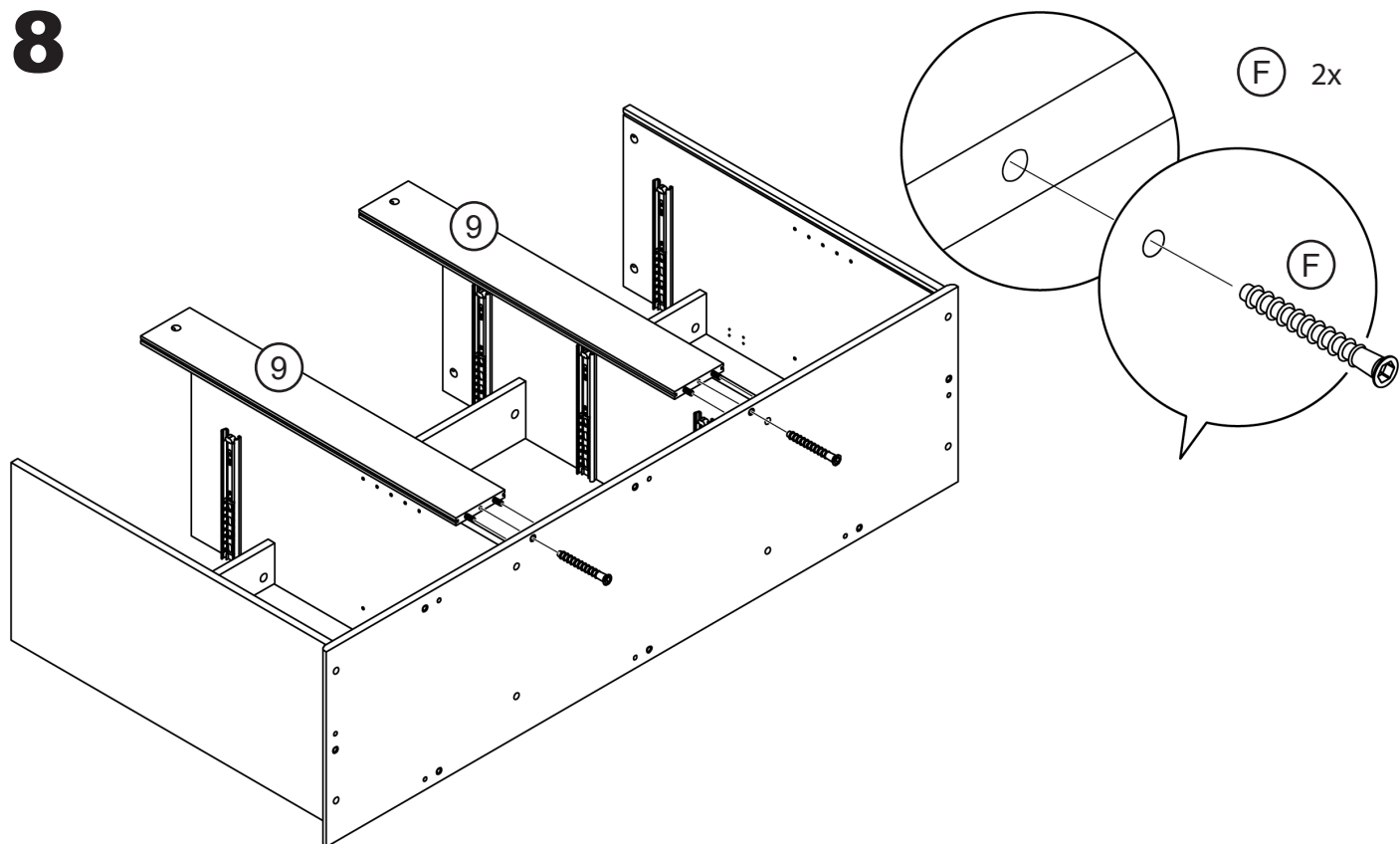
6

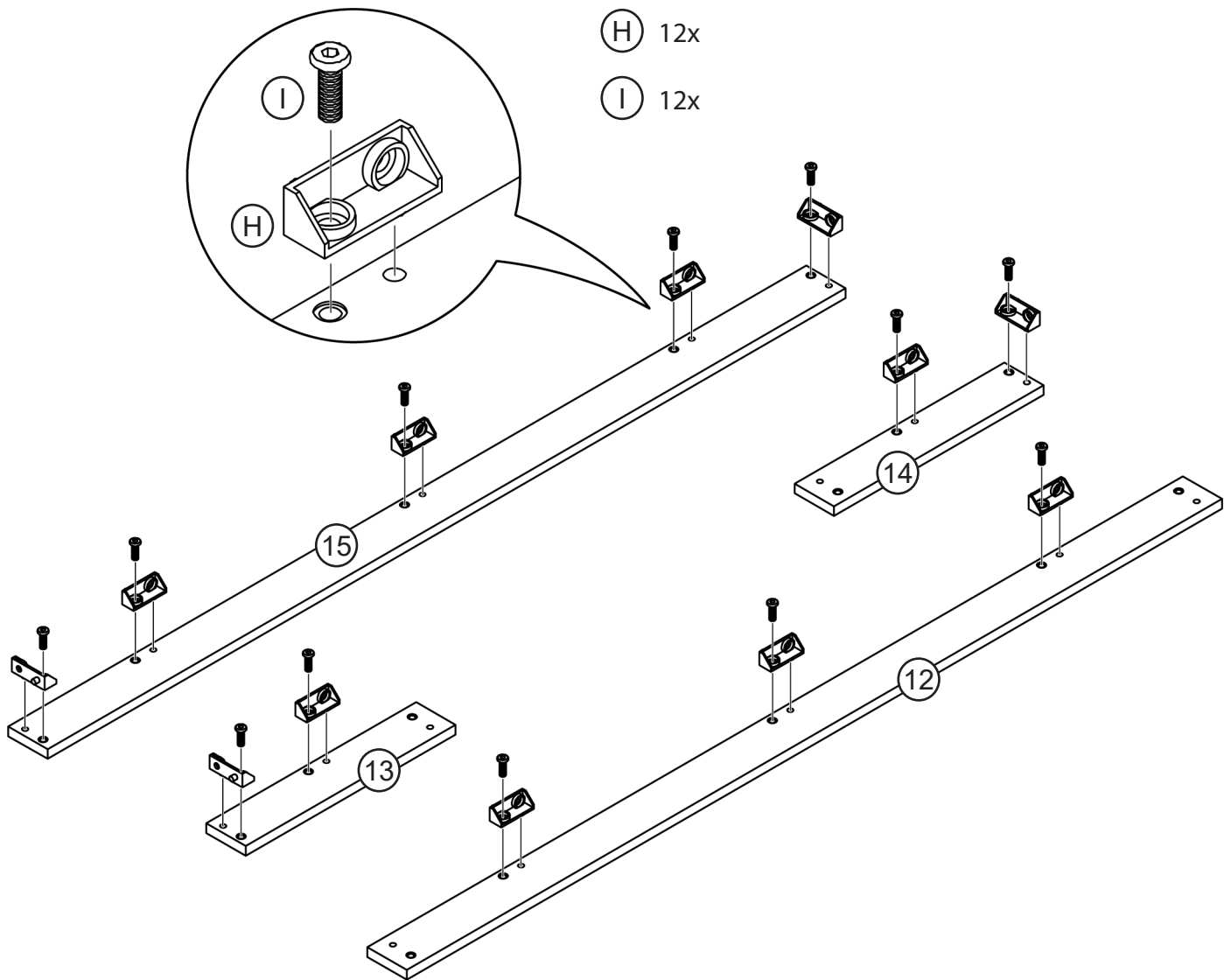


7

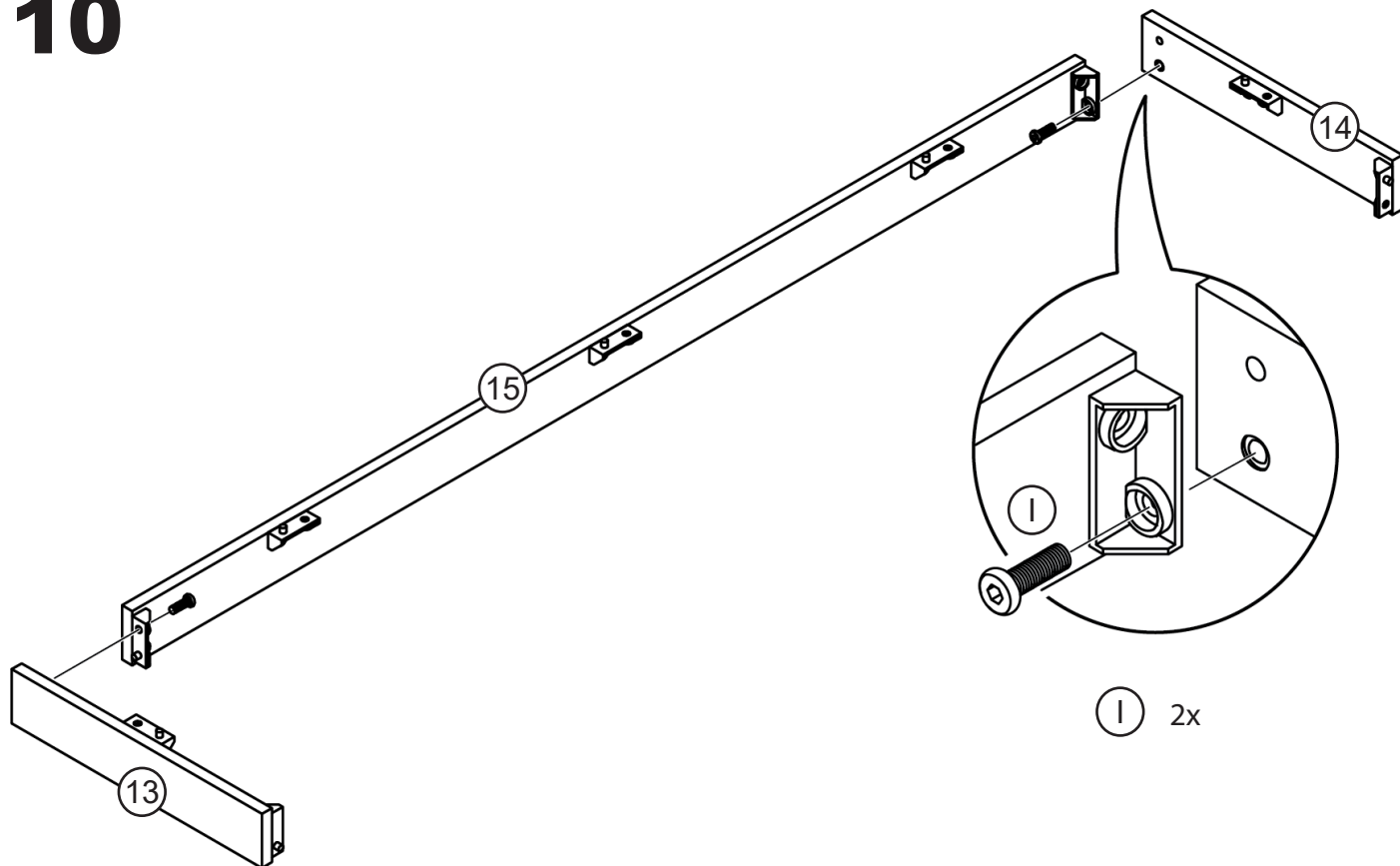


8

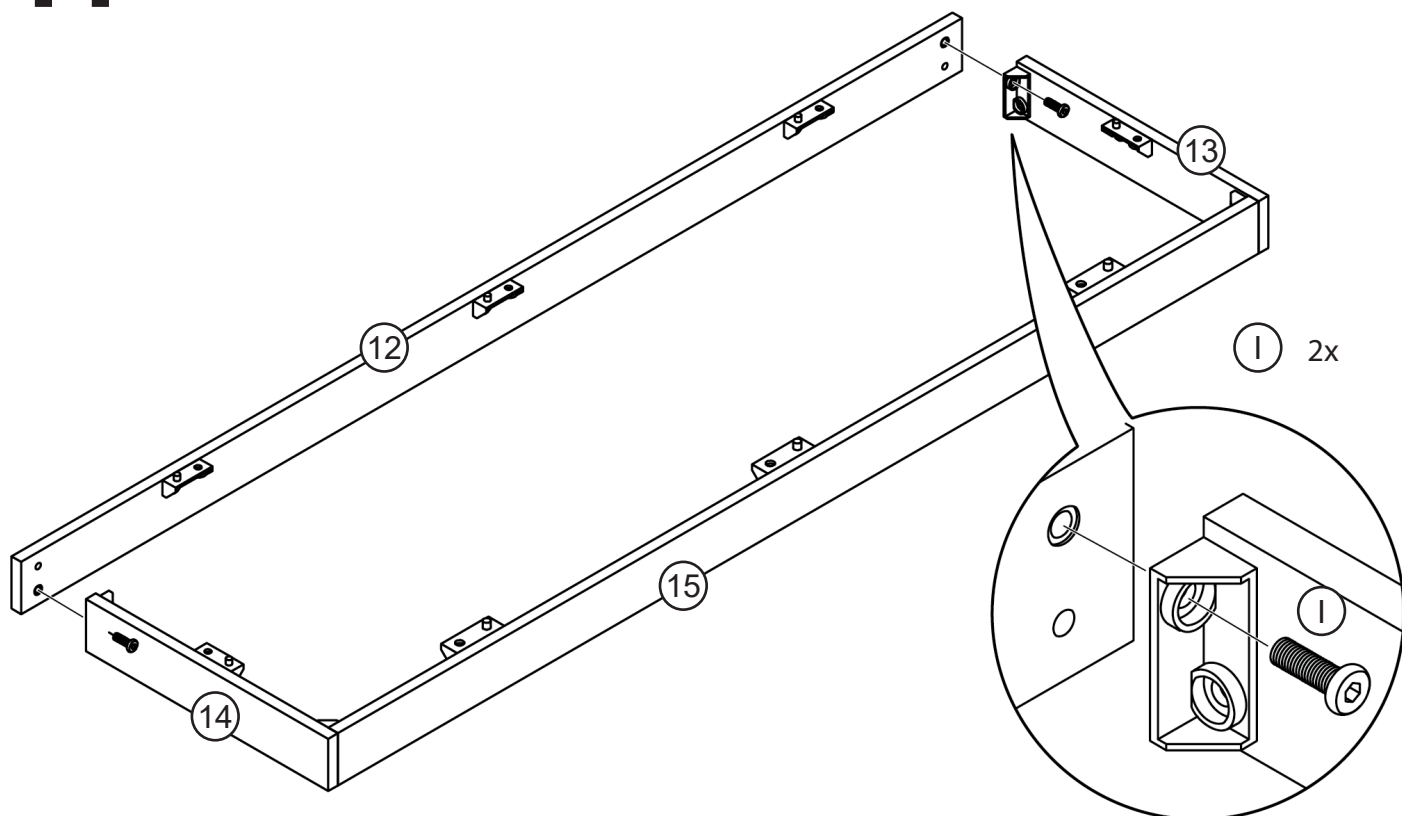




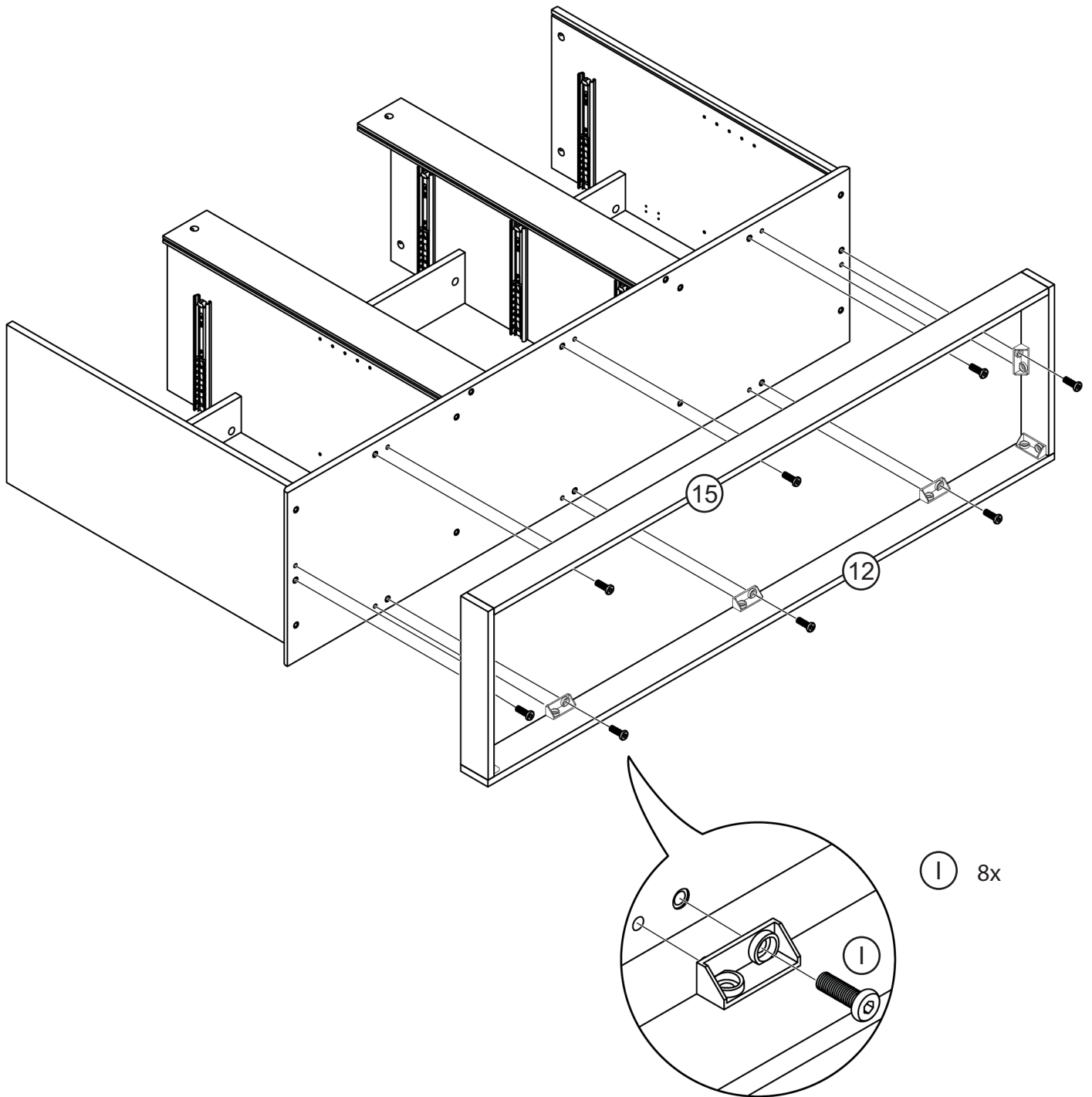
10



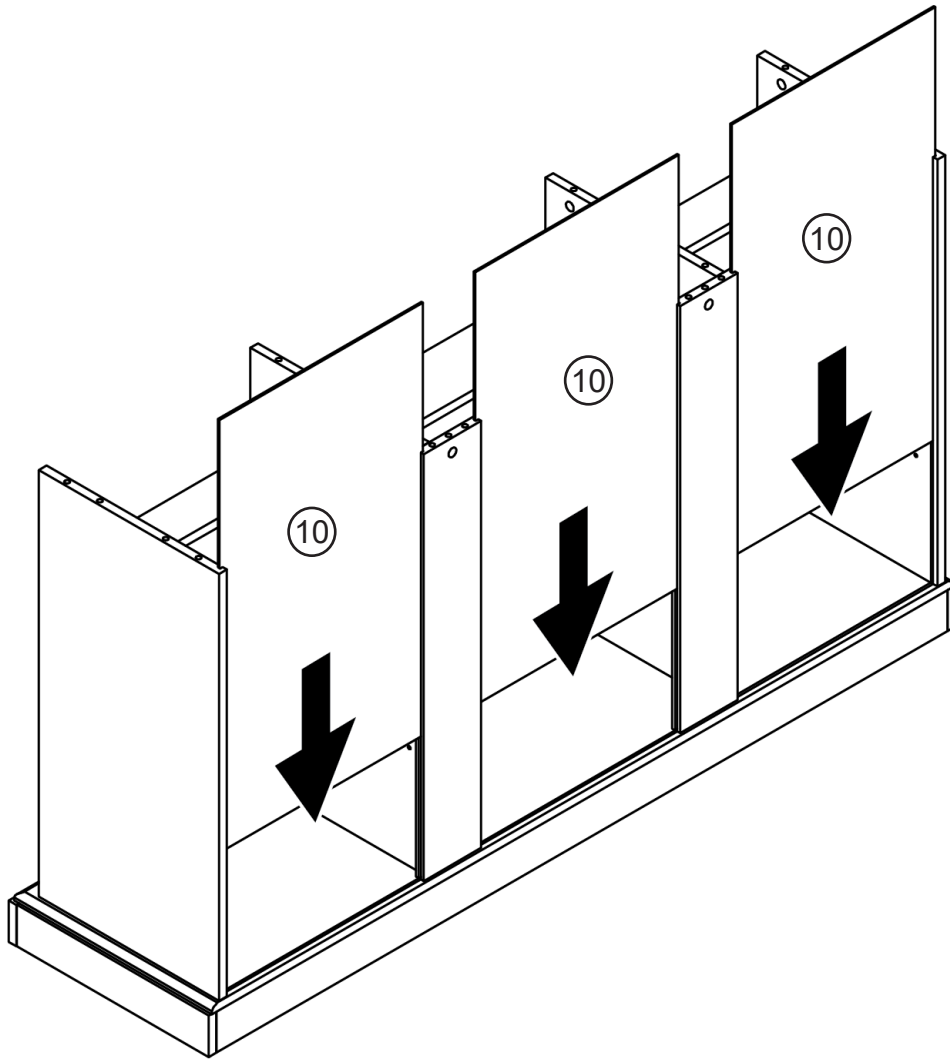
11



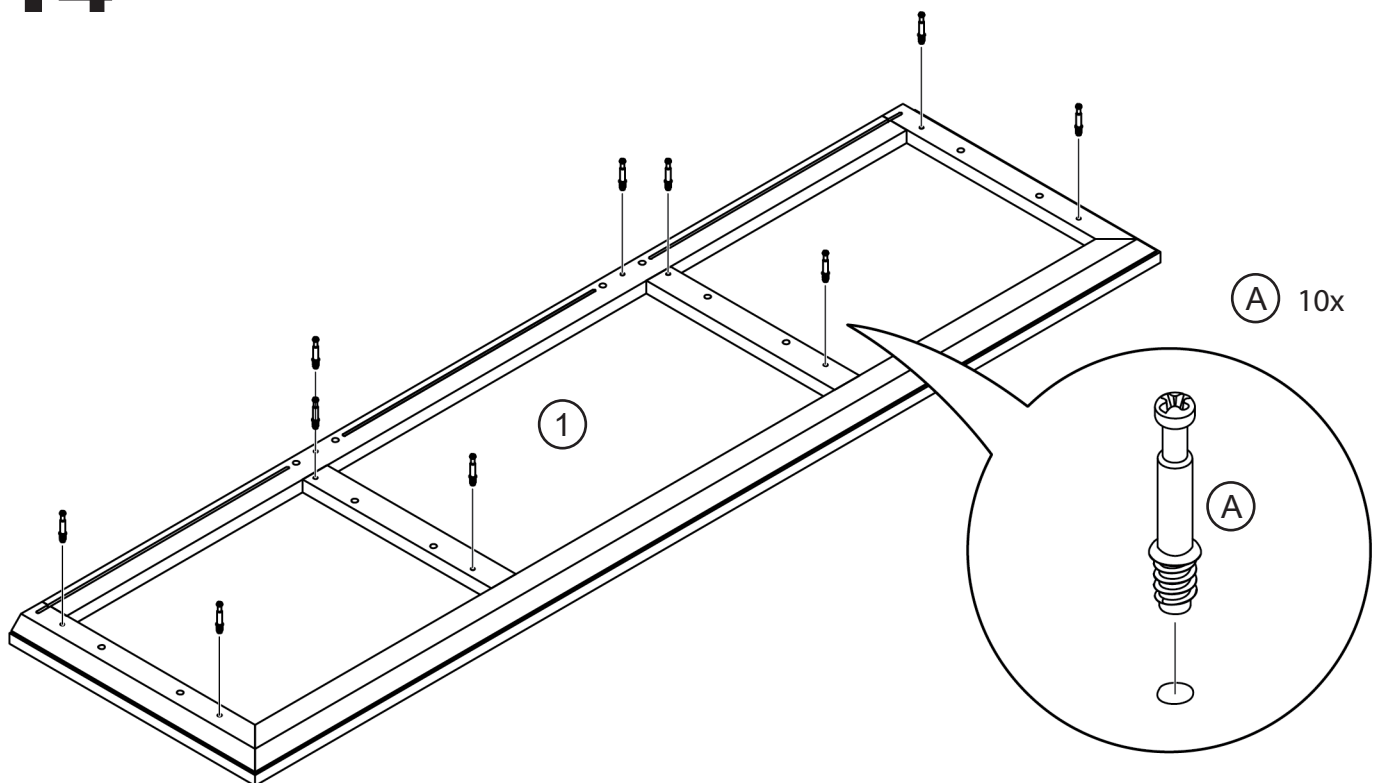
12



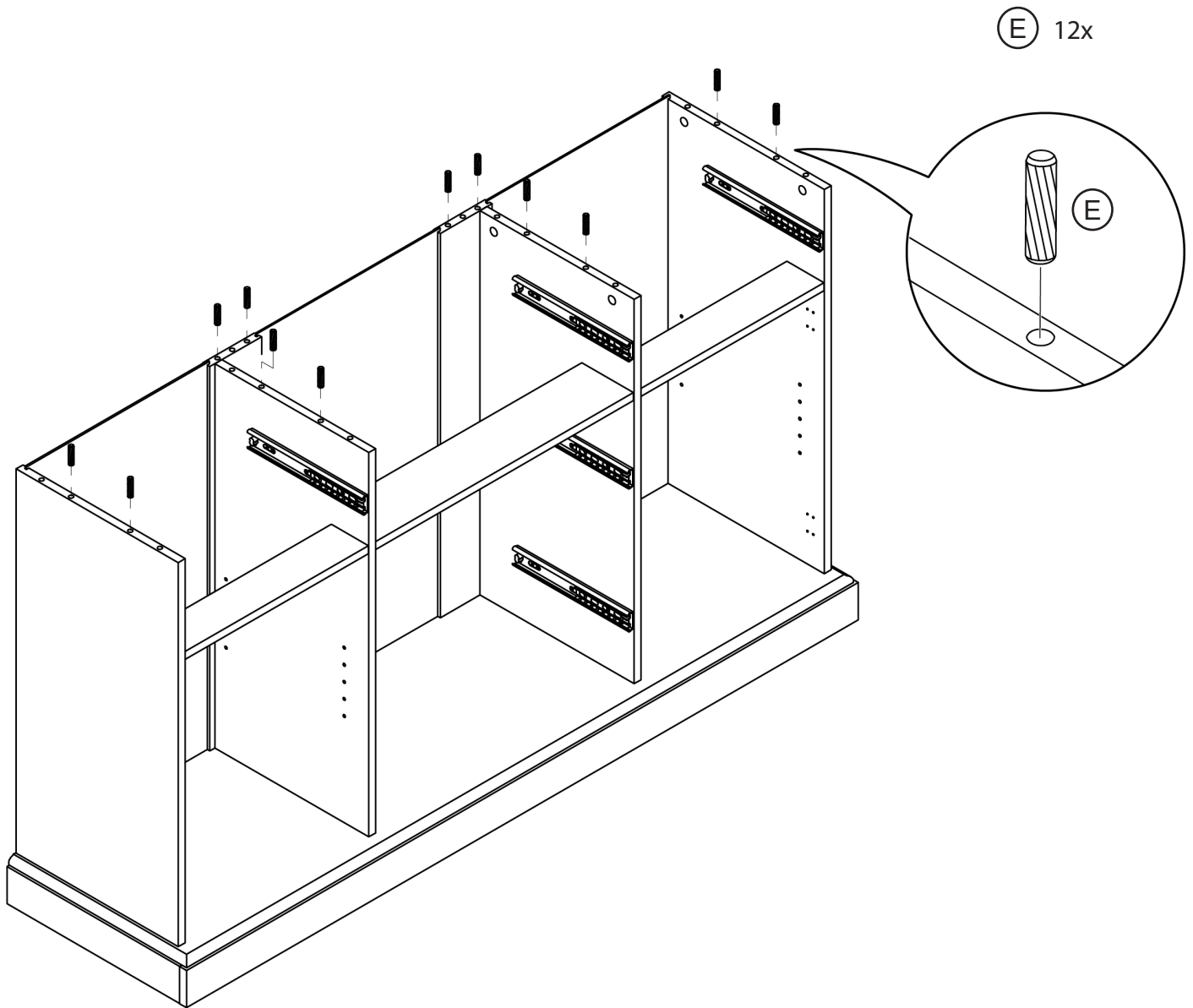
13



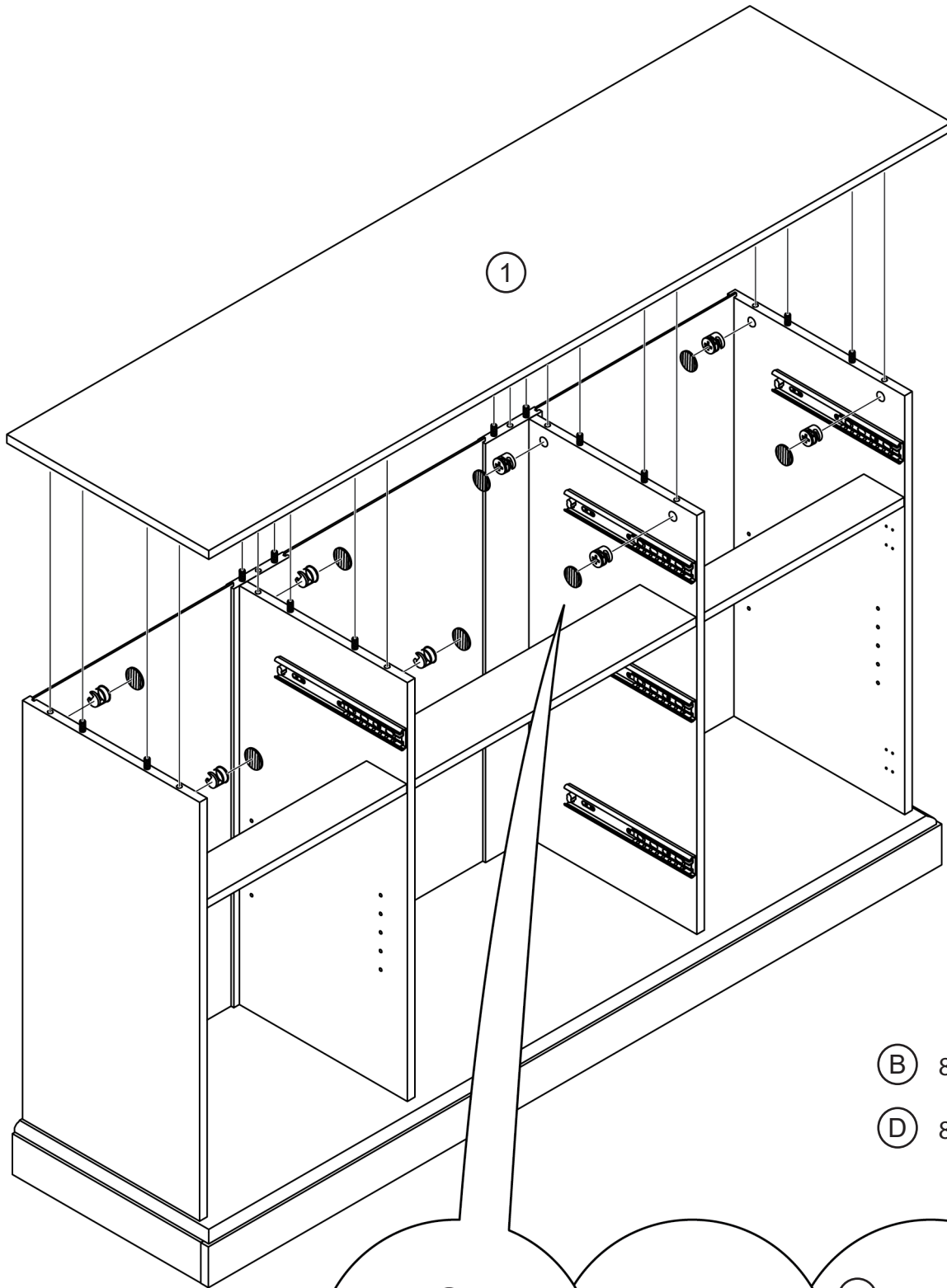
14



15

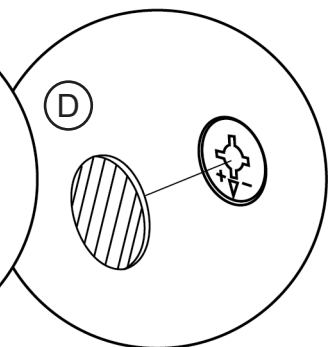
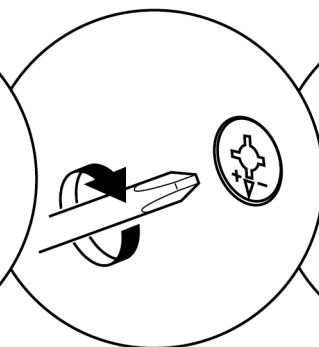
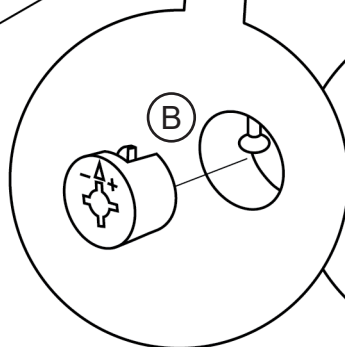


16

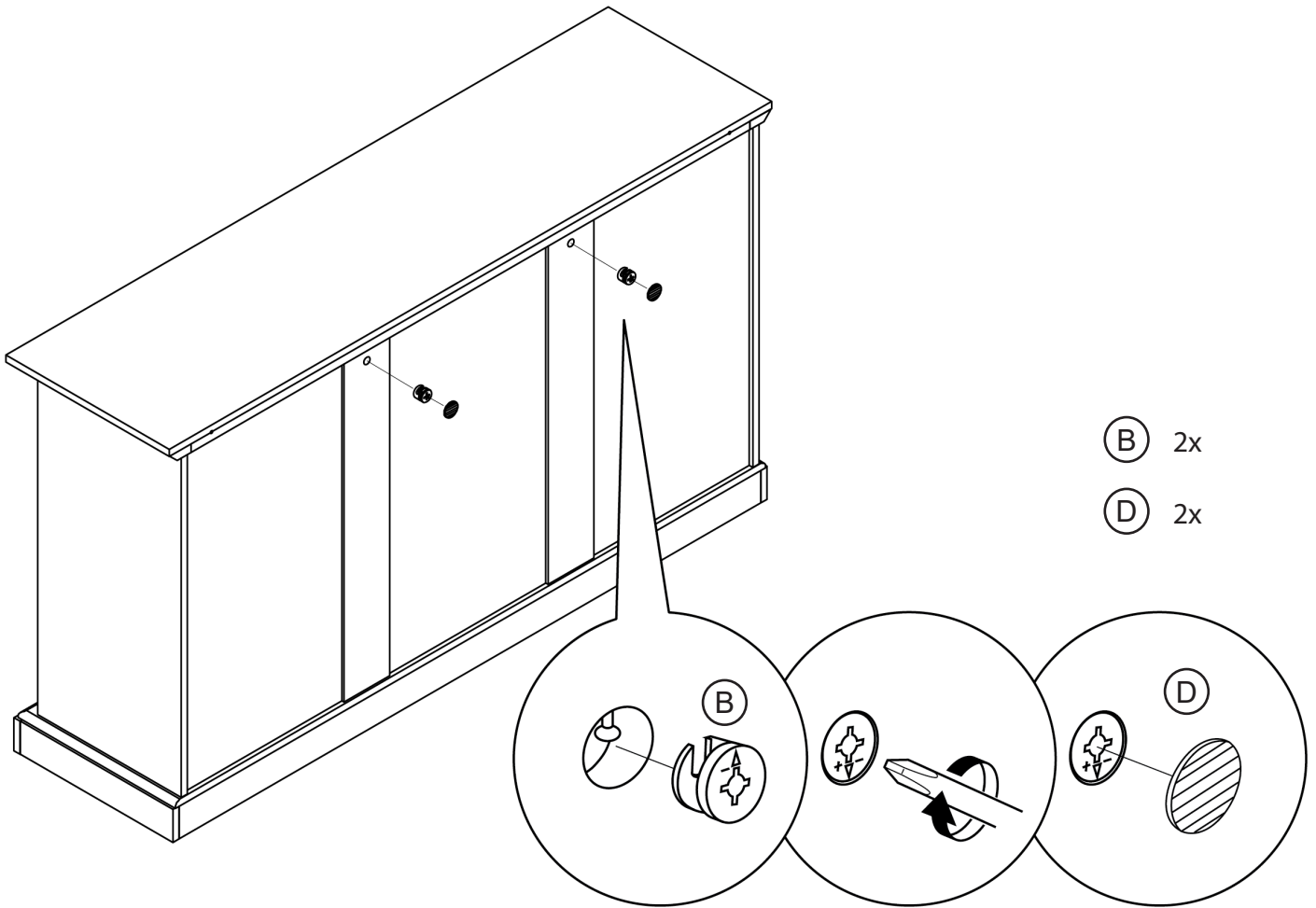


(B) 8x

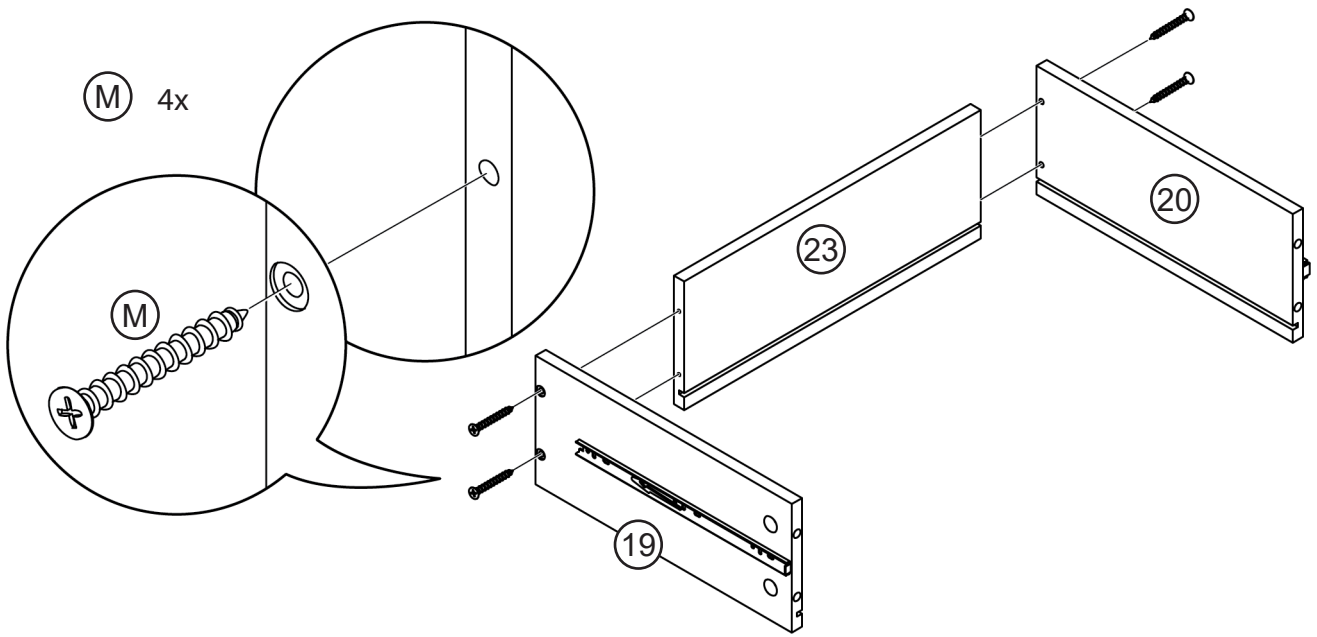
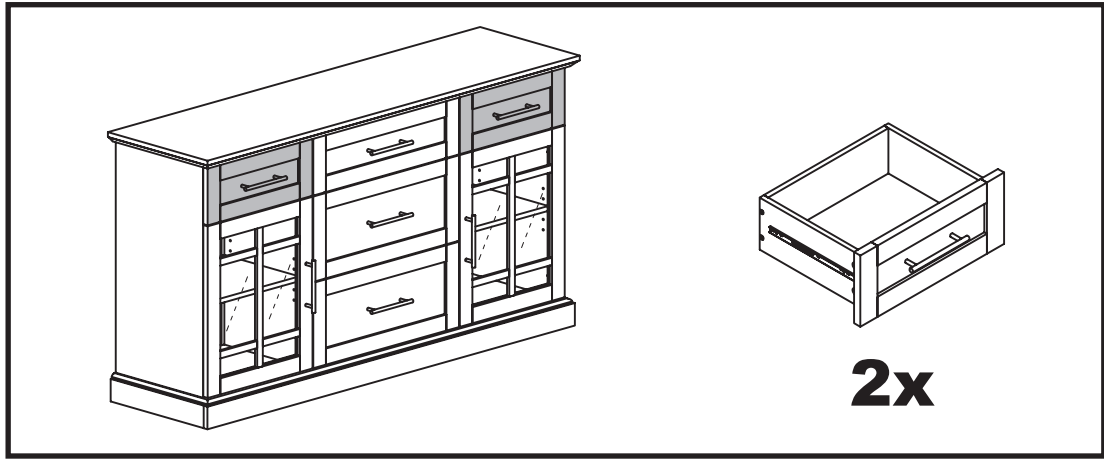
(D) 8x



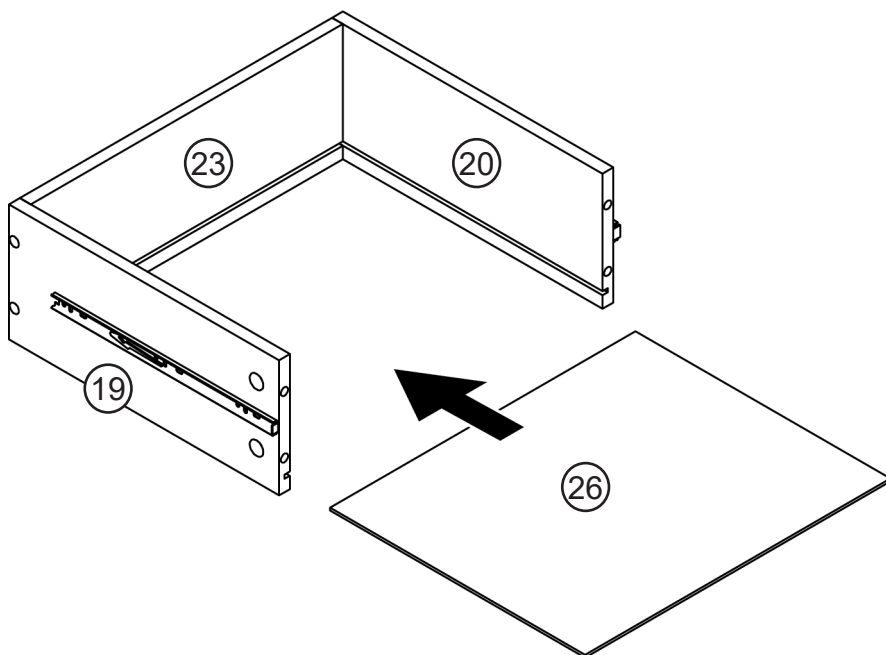
17



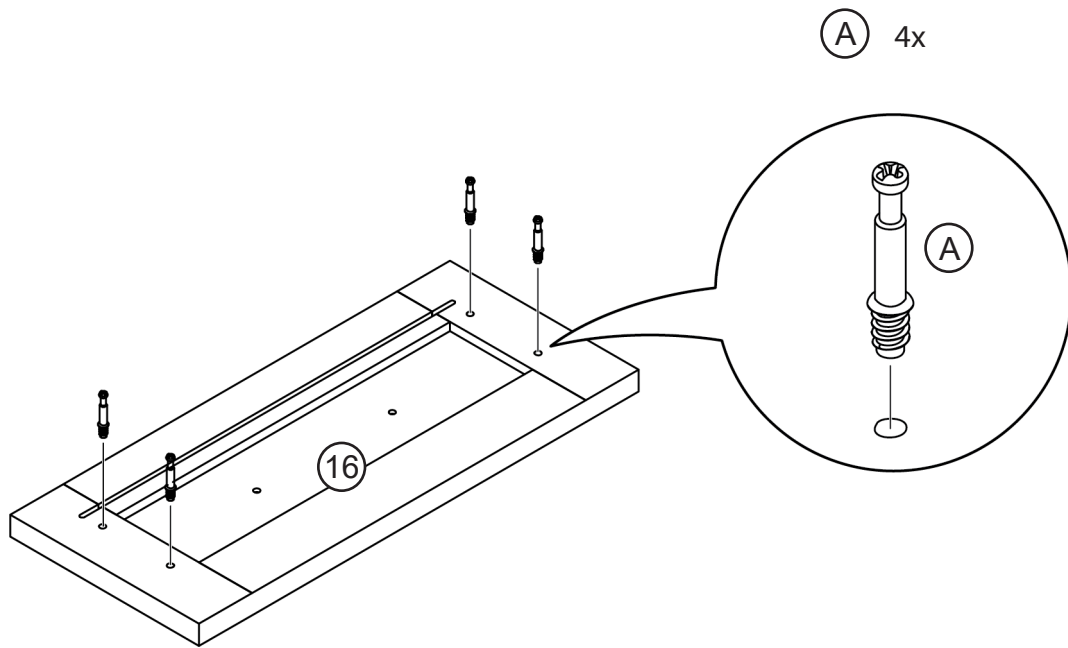
18



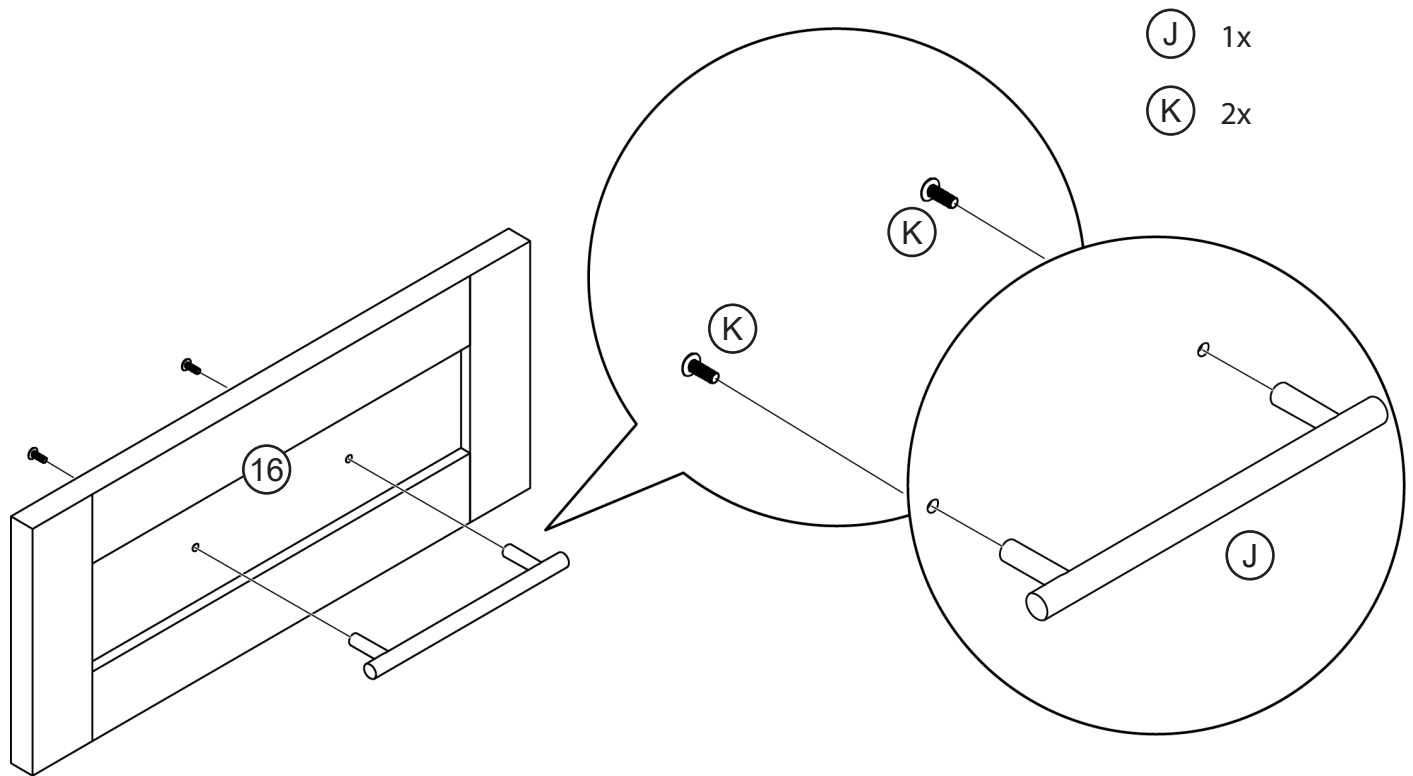
19



20



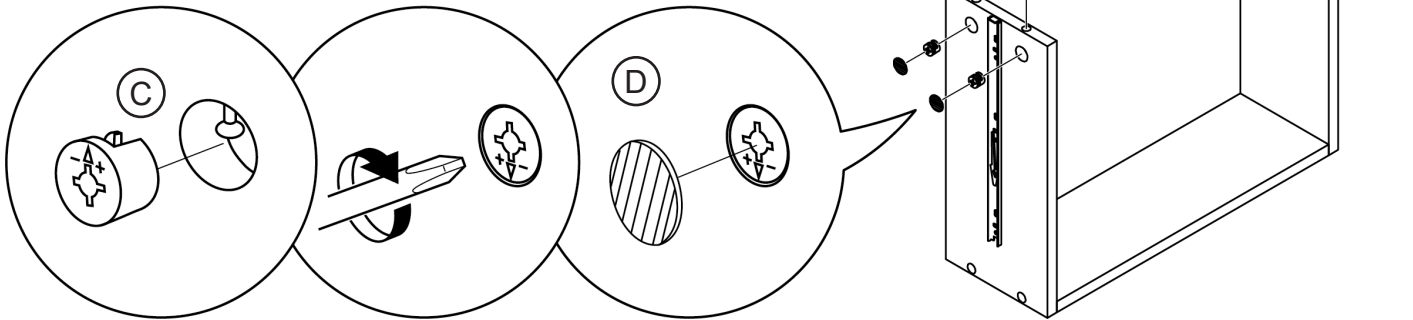
21



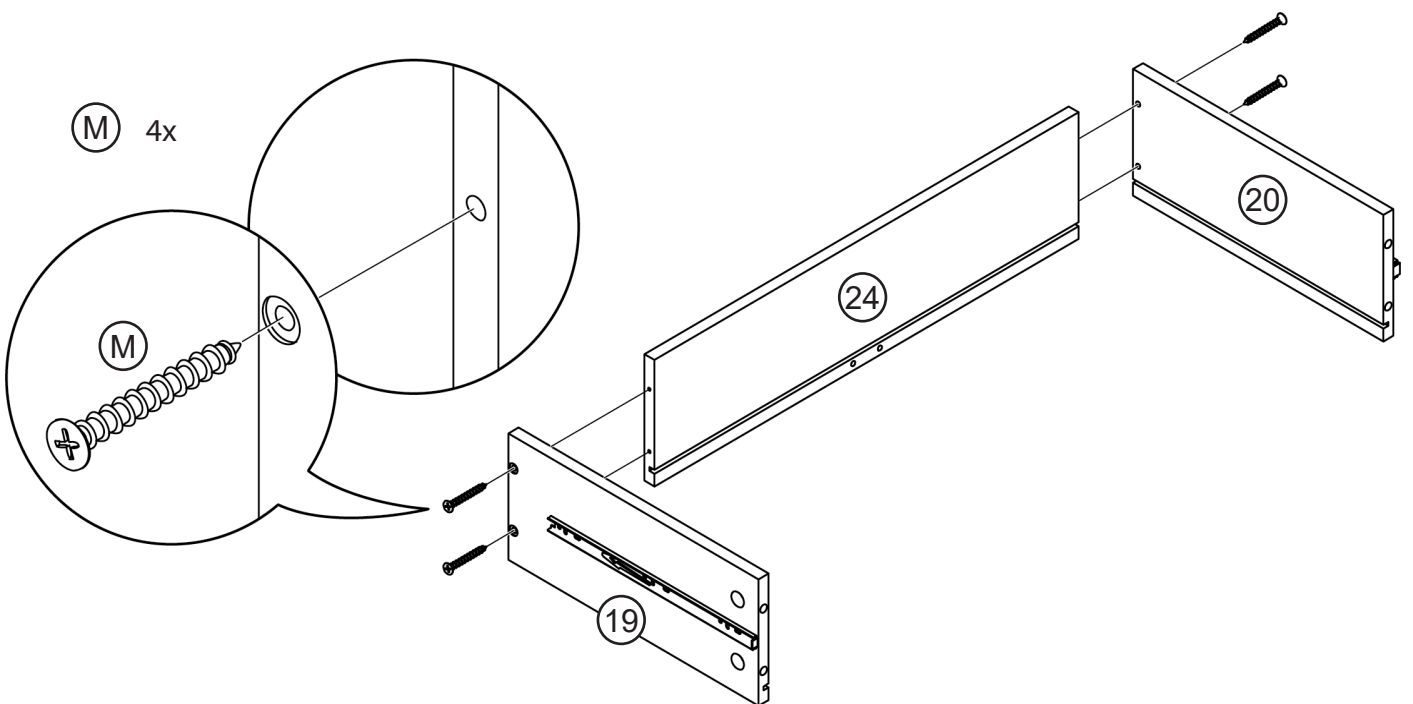
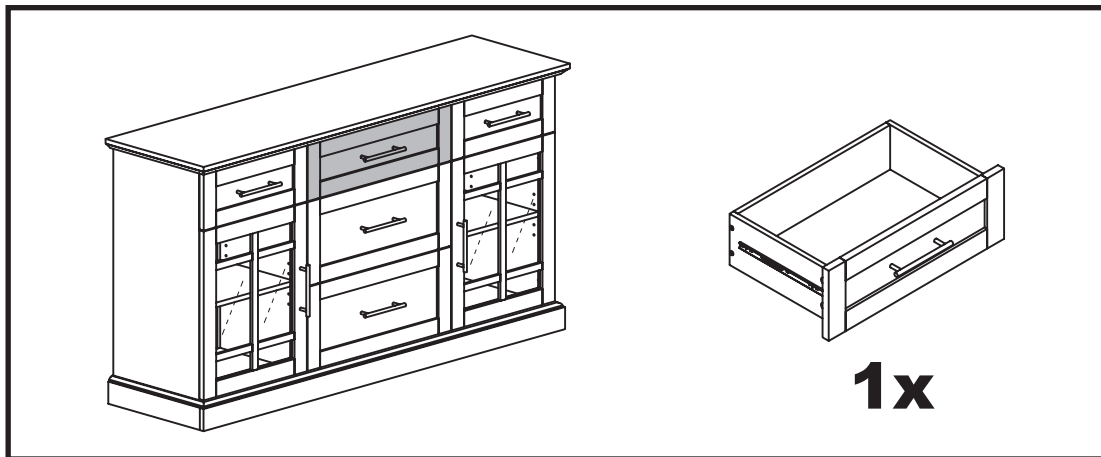
22

(C) 4x

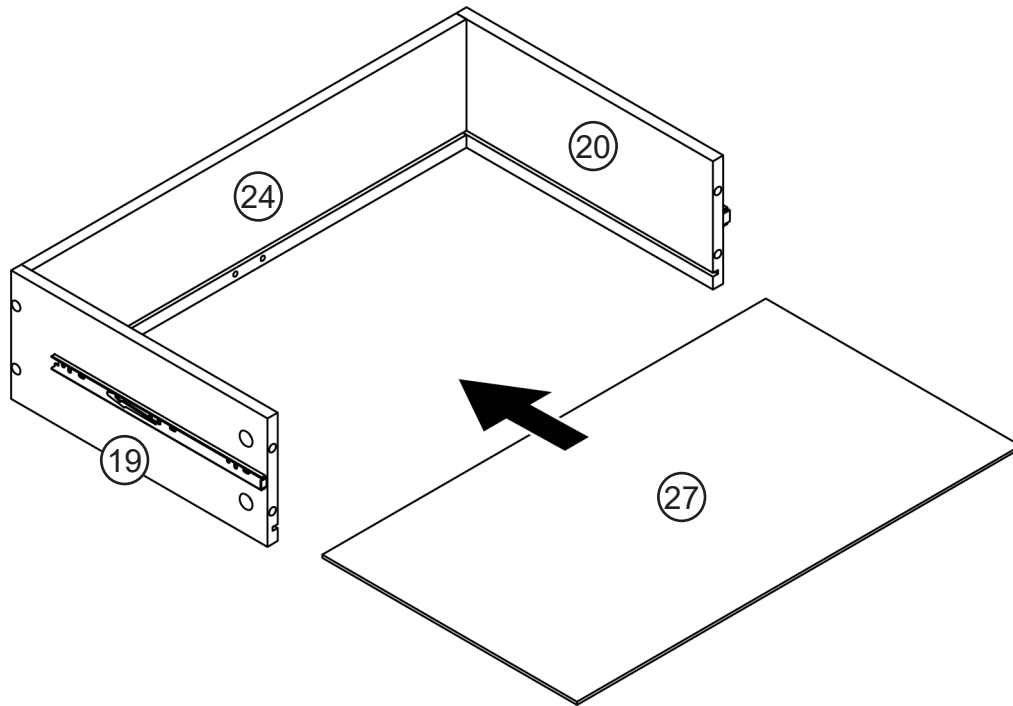
(D) 4x



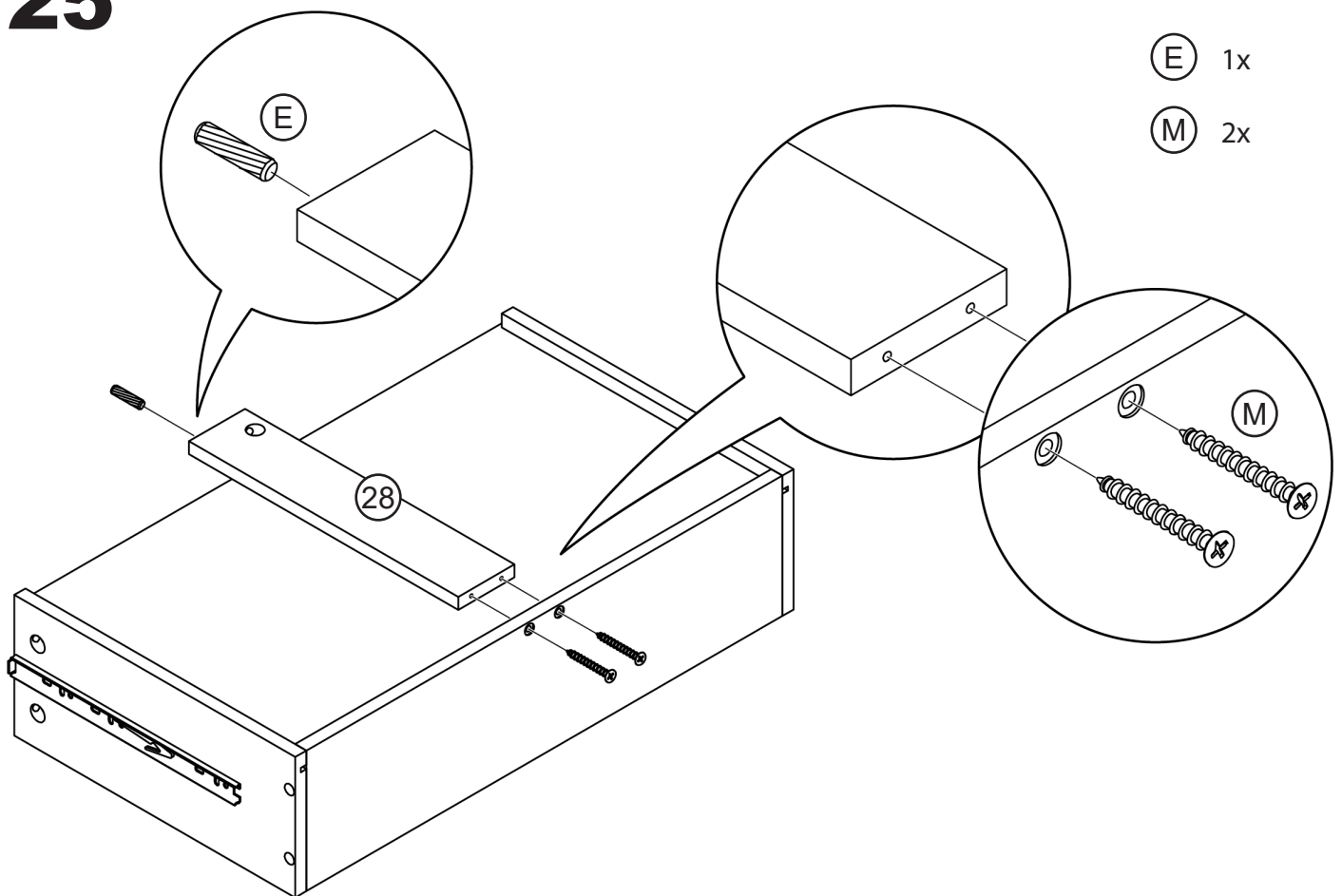
23



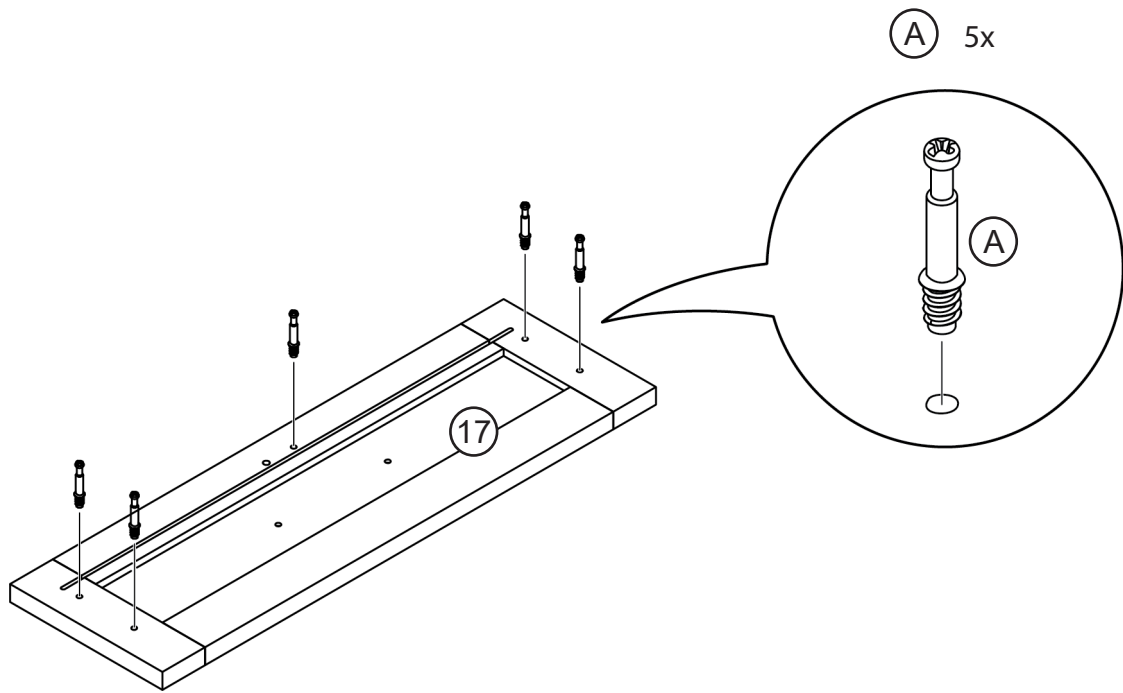
24



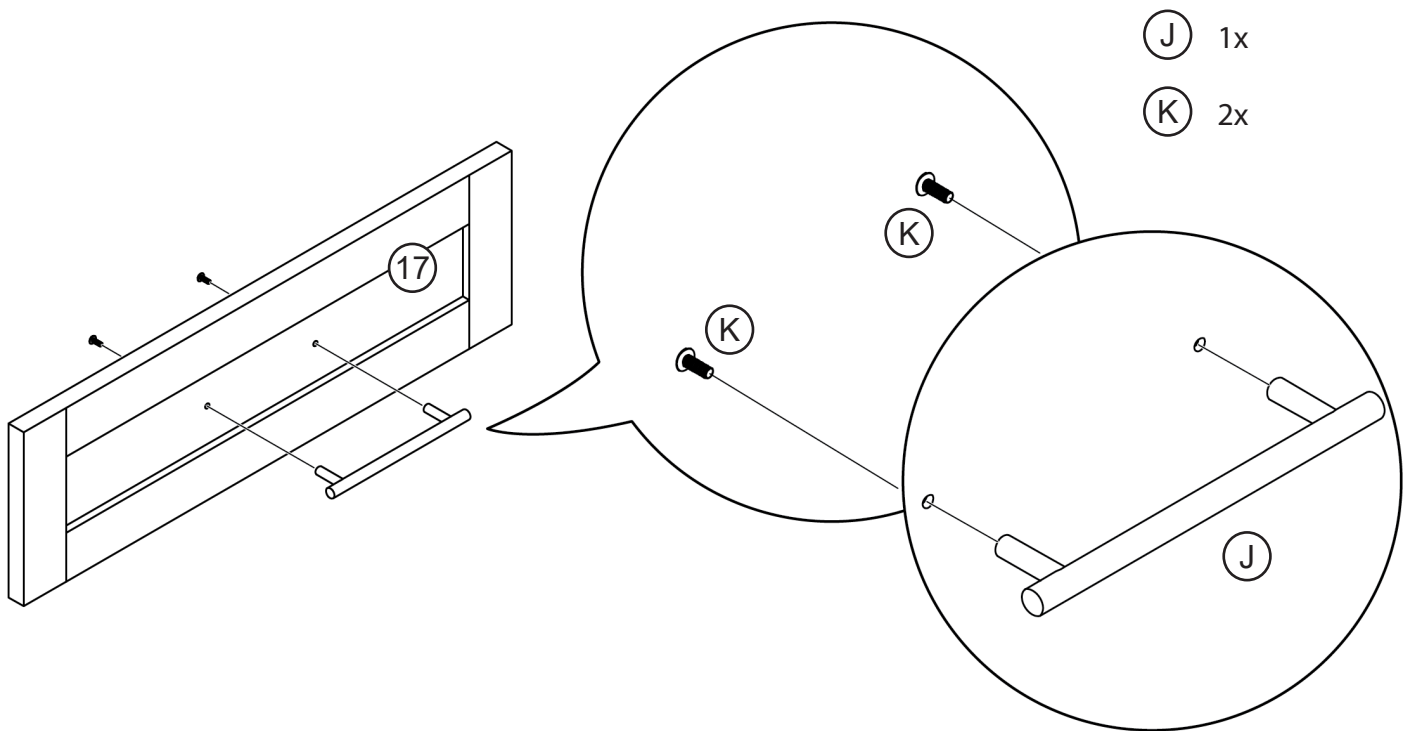
25



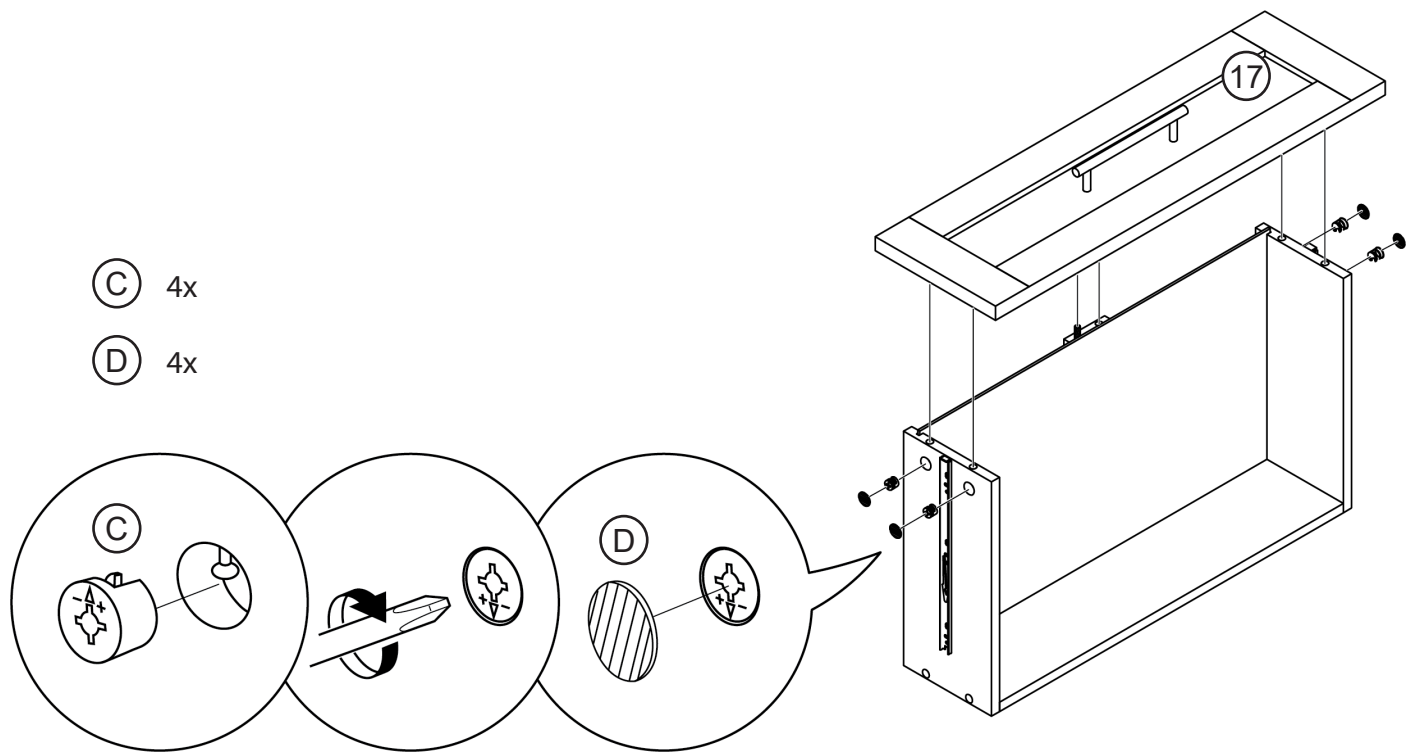
26



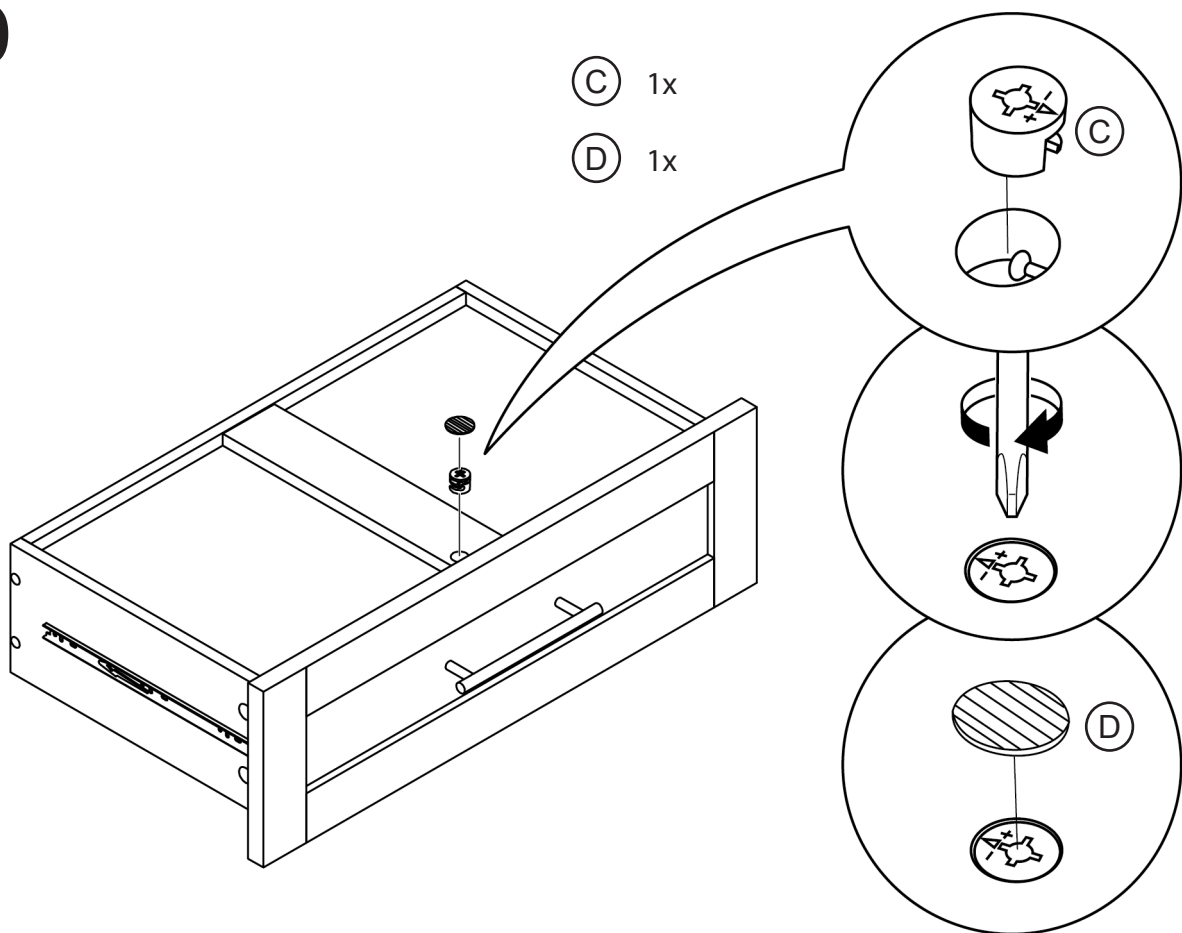
27



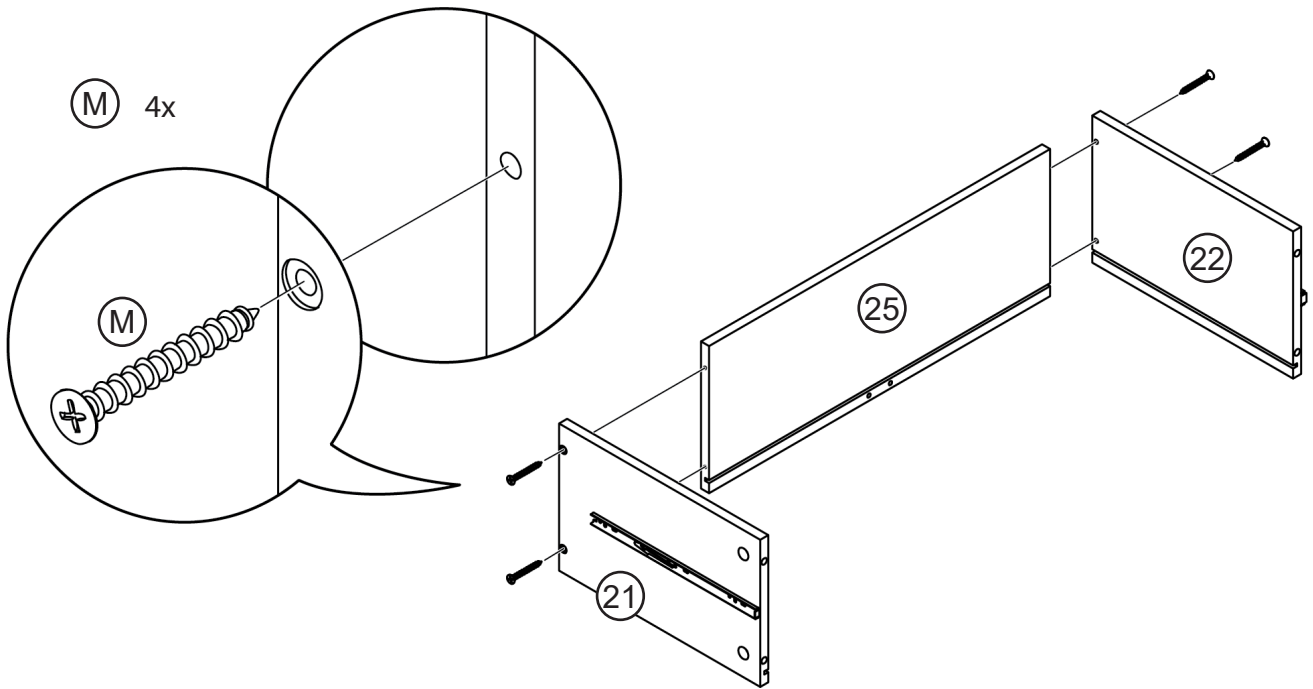
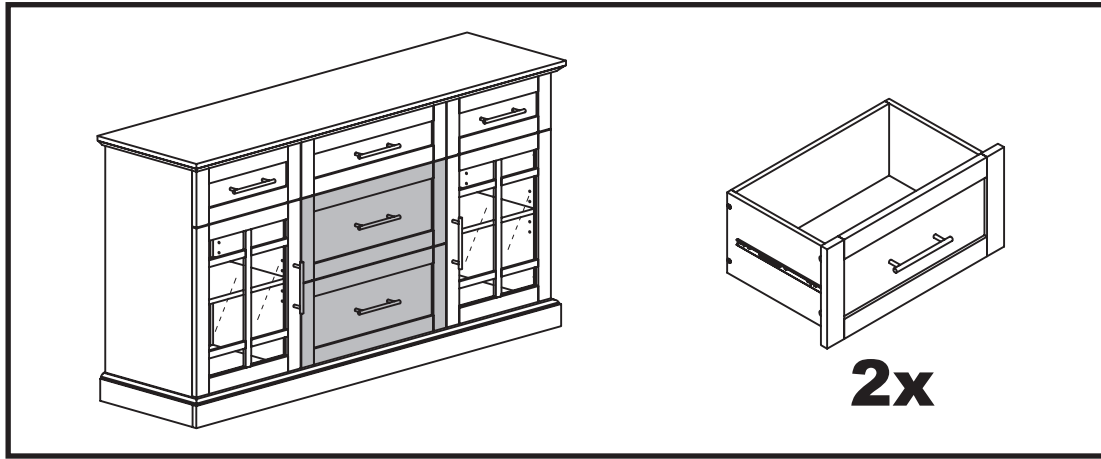
28



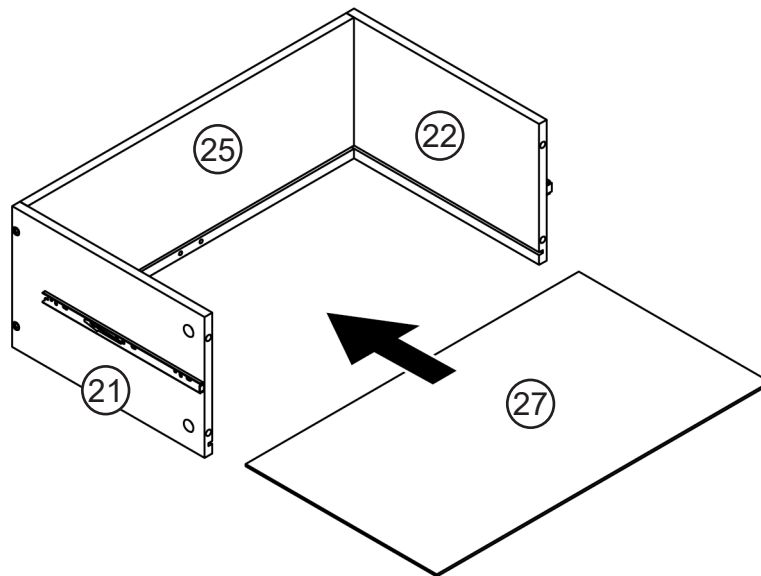
29



30



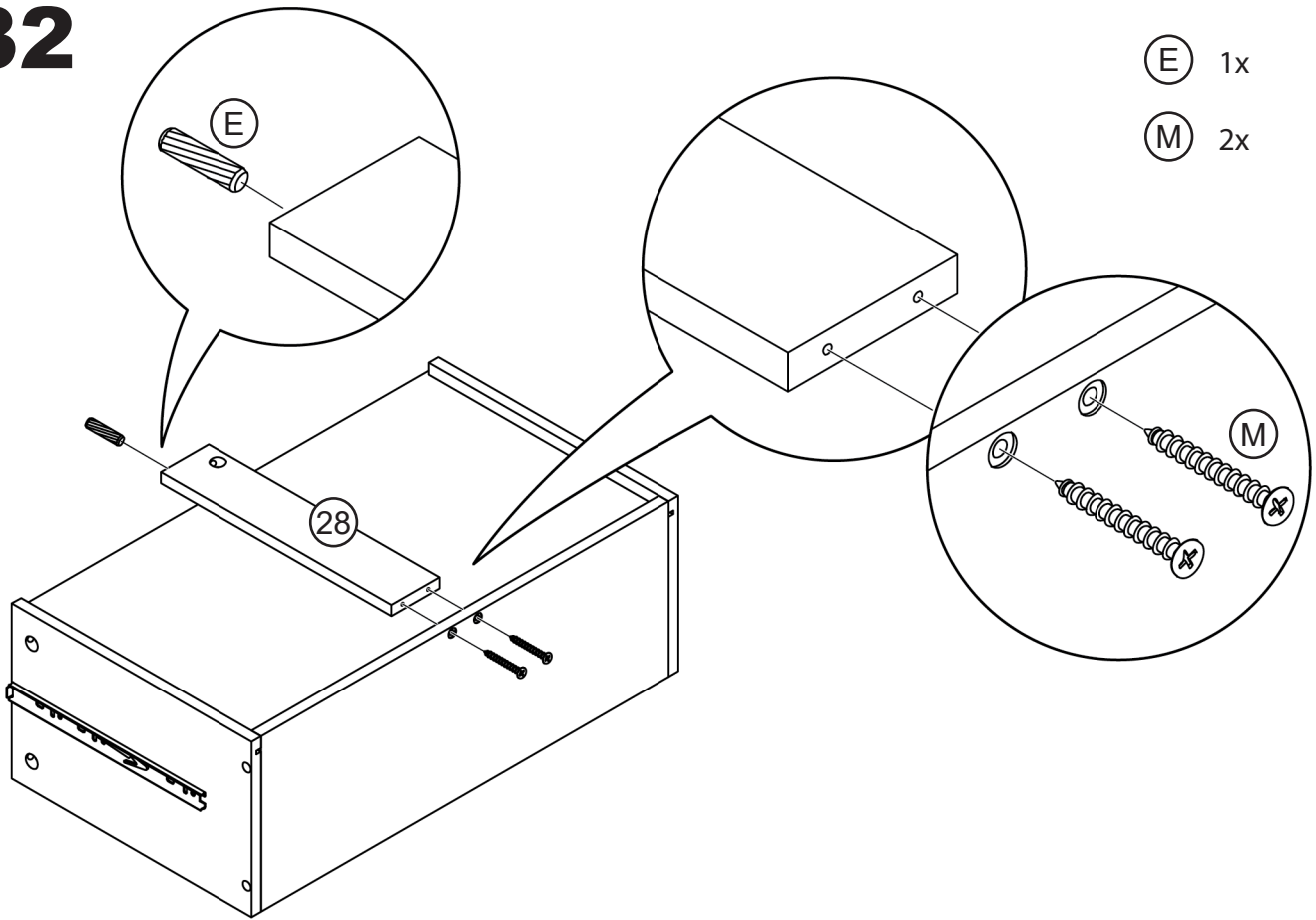
31



32

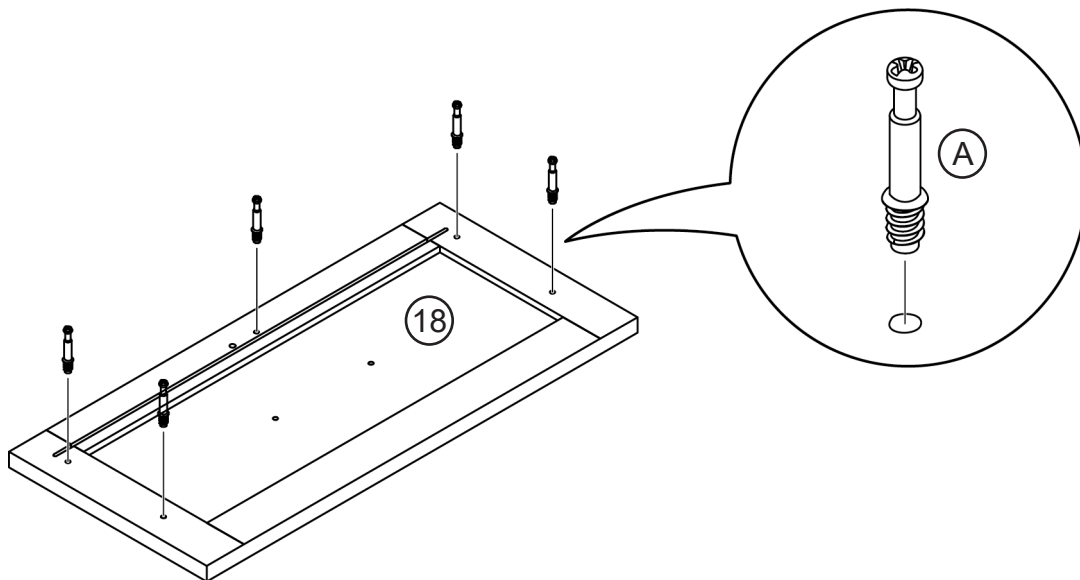
(E) 1x

(M) 2x

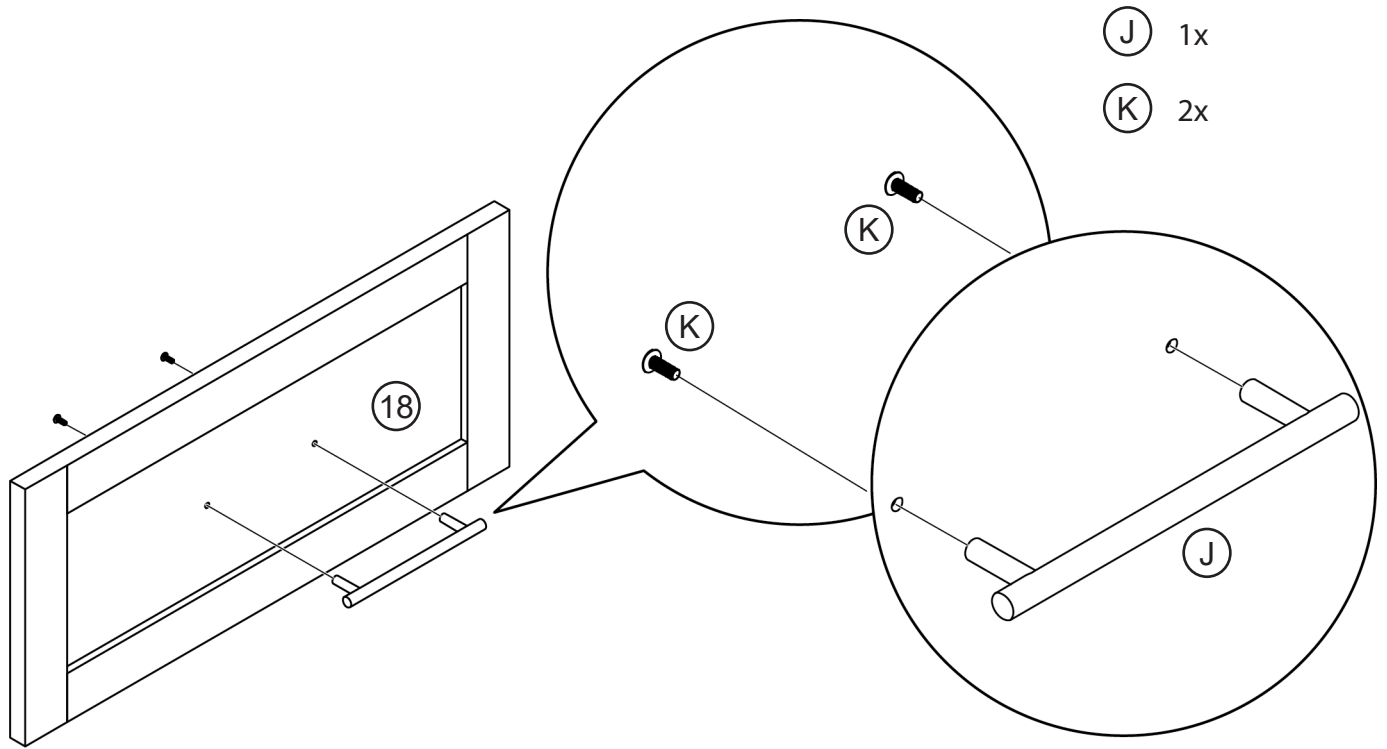


33

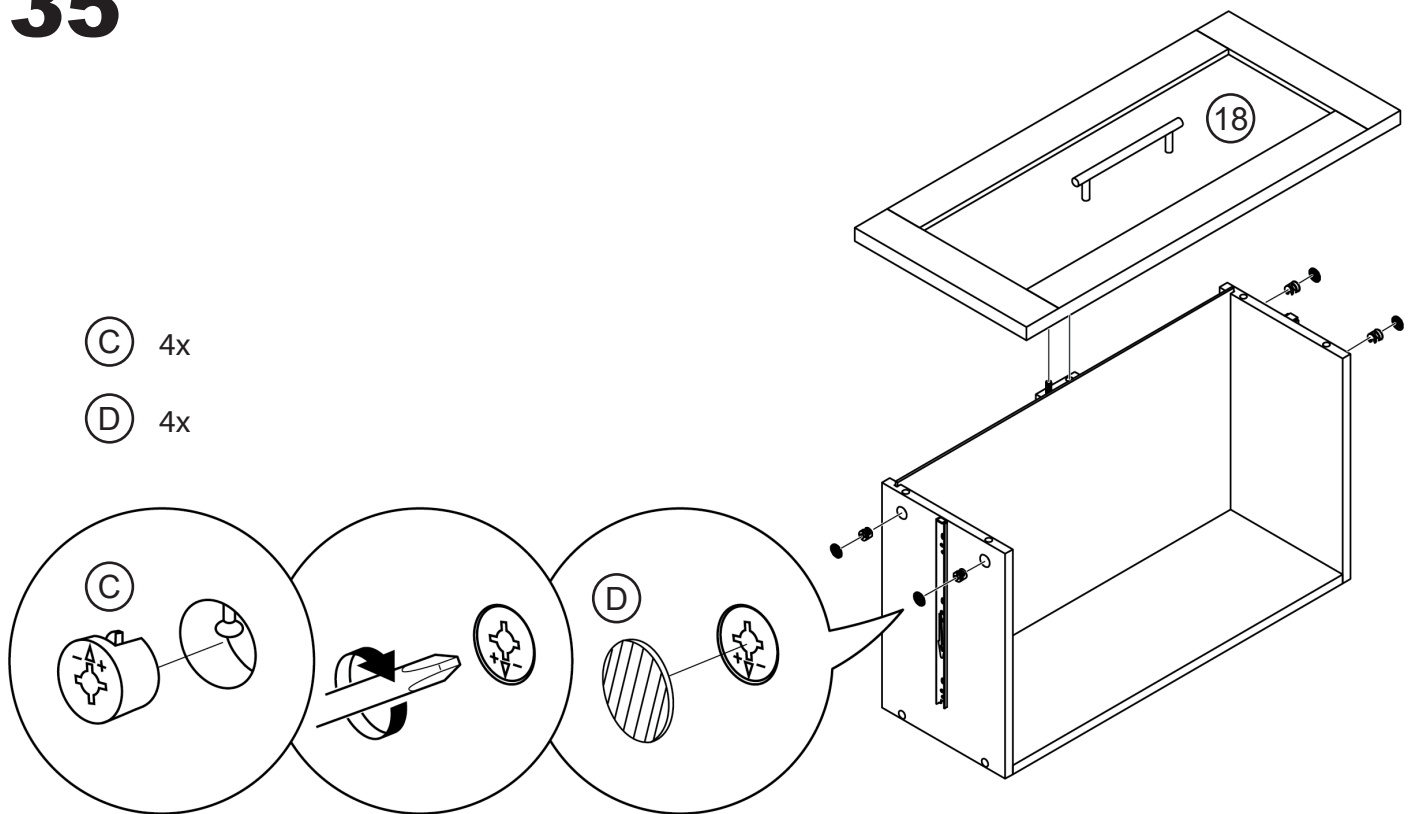
(A) 5x



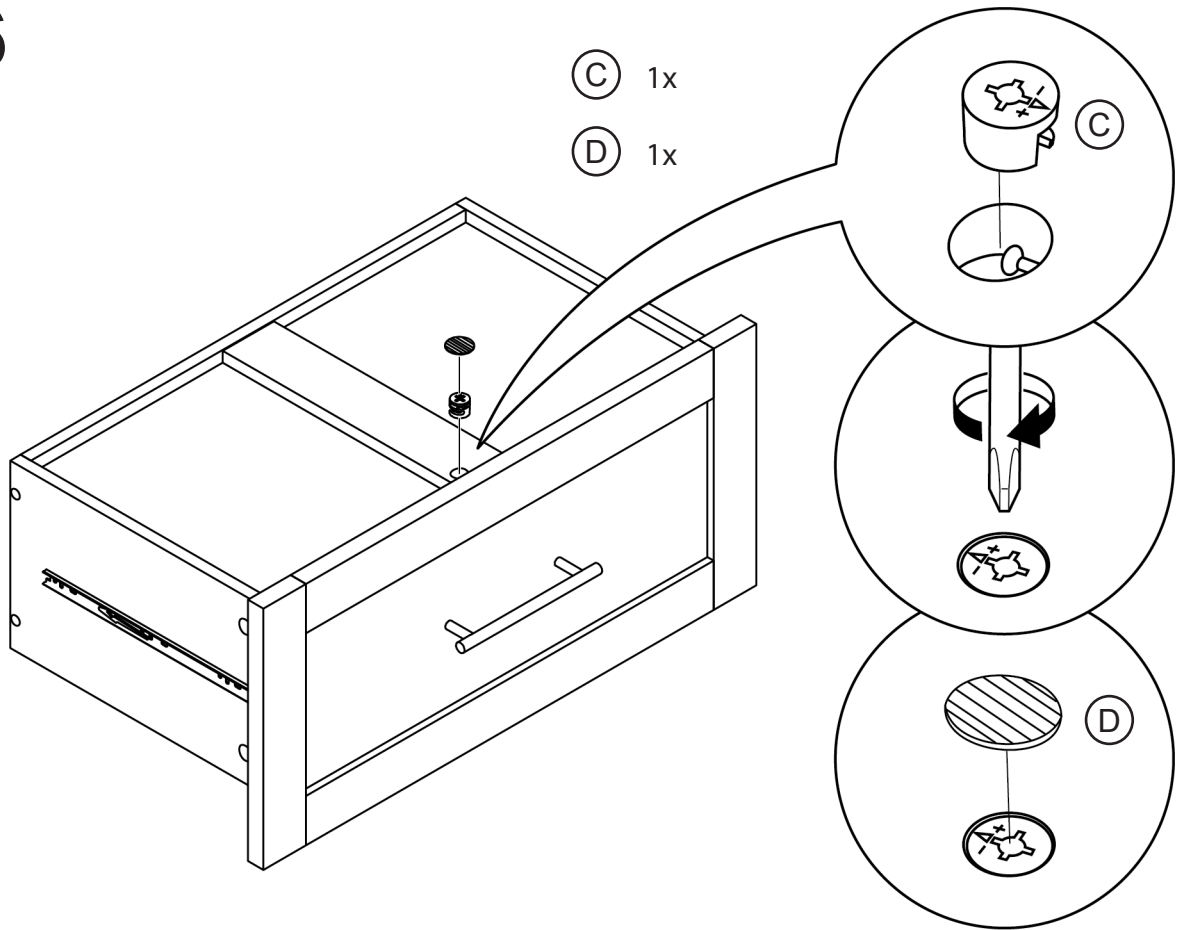
34



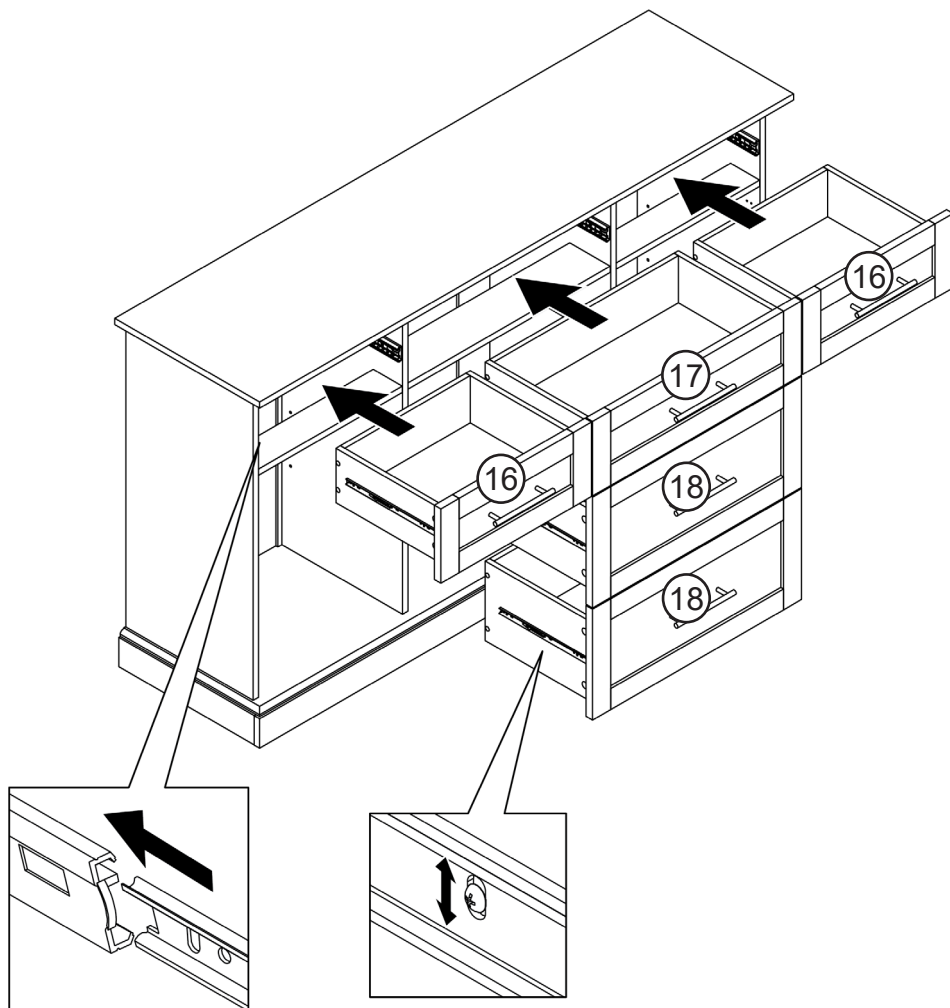
35

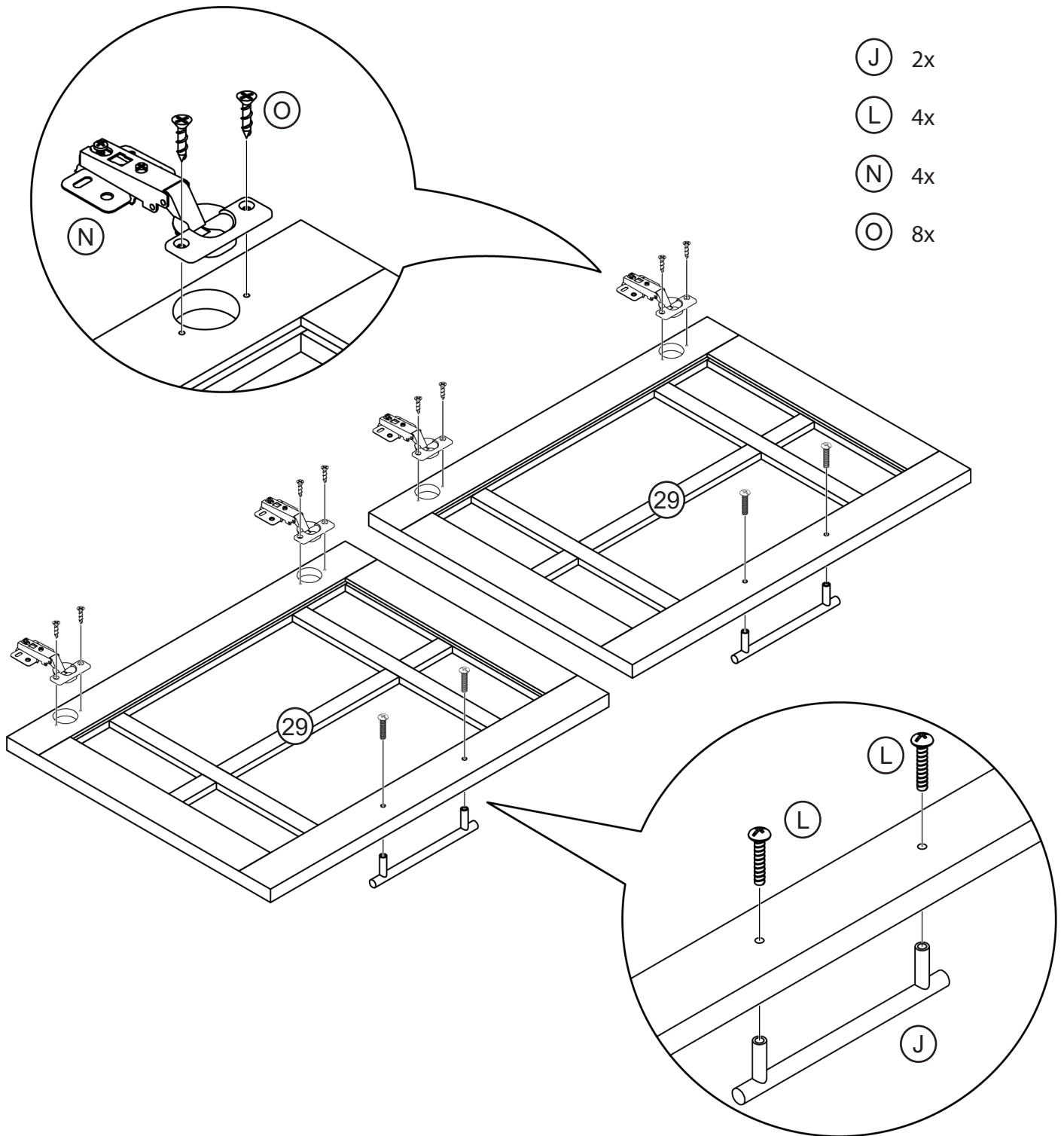


36

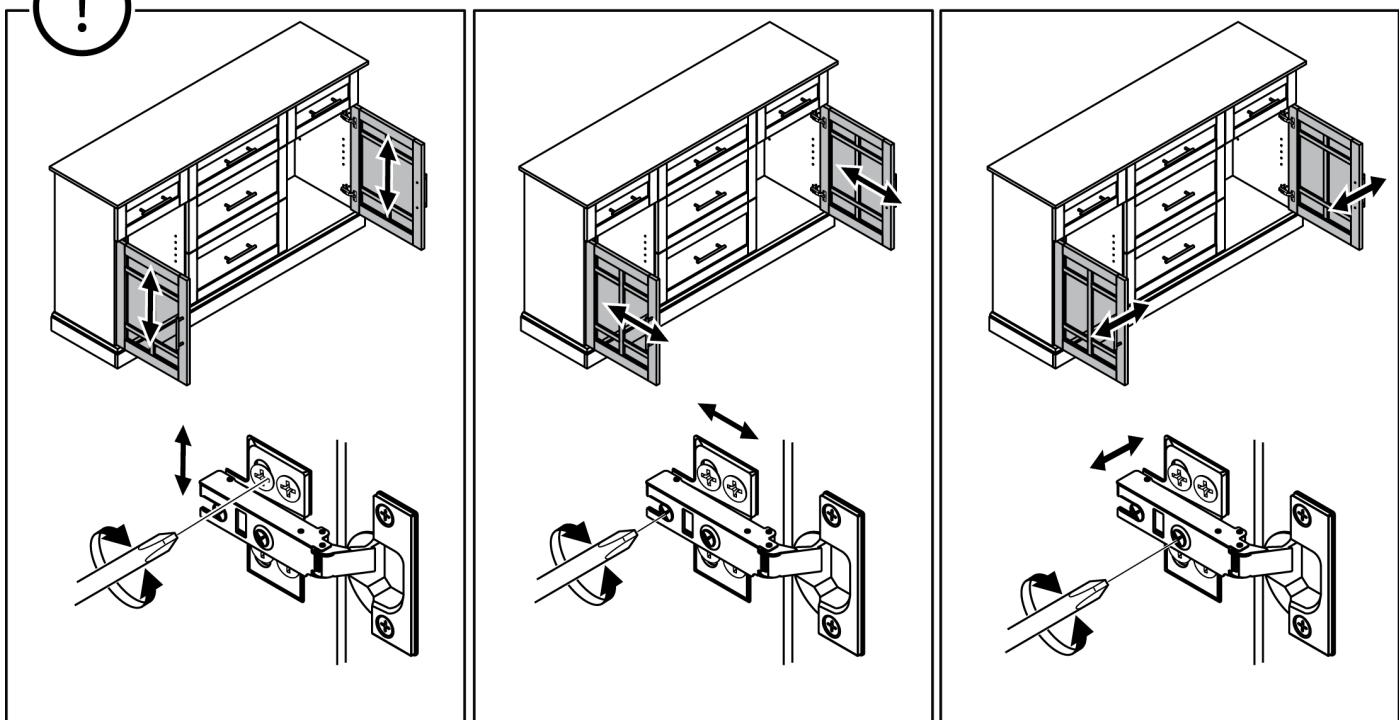
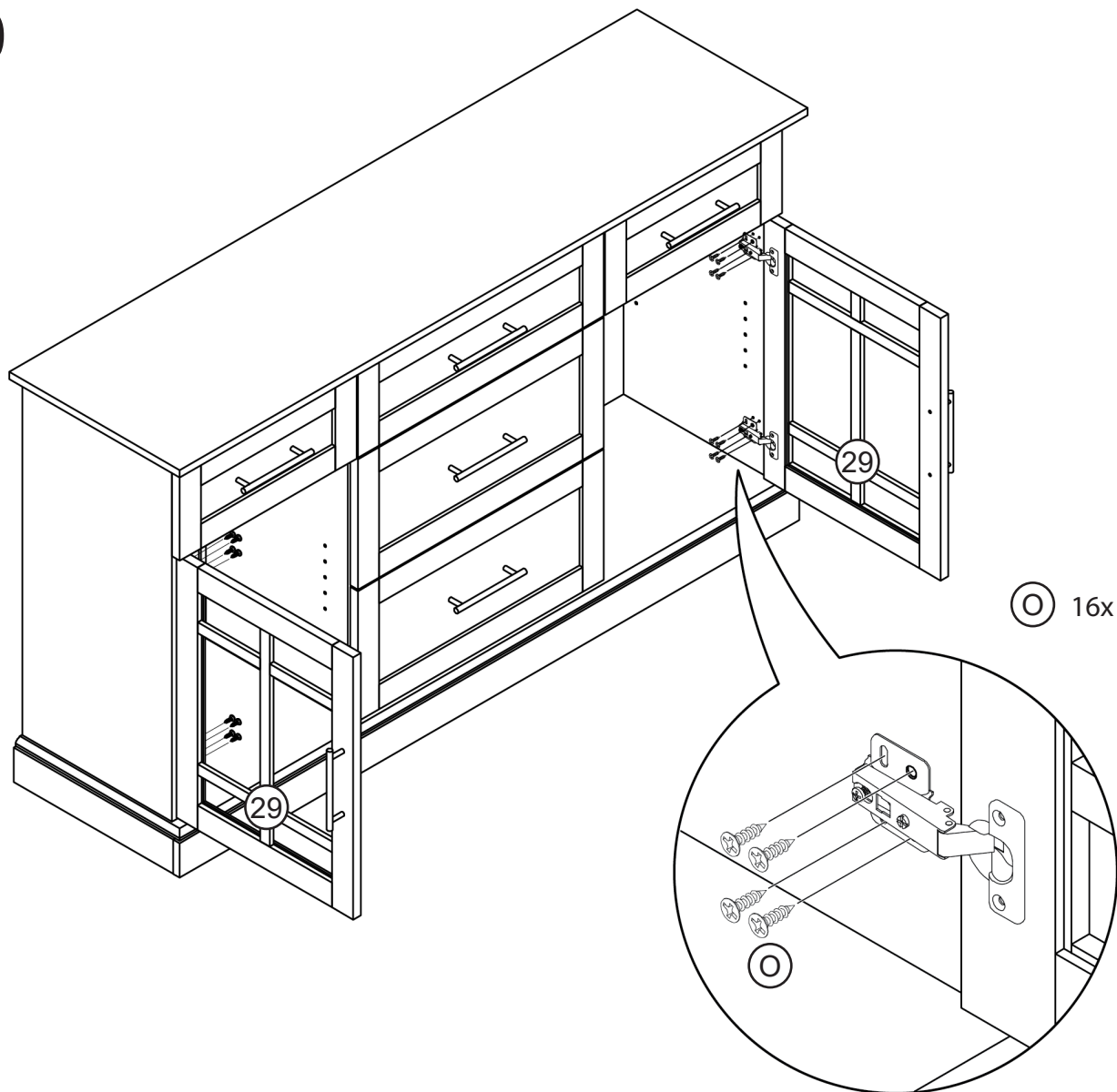


37

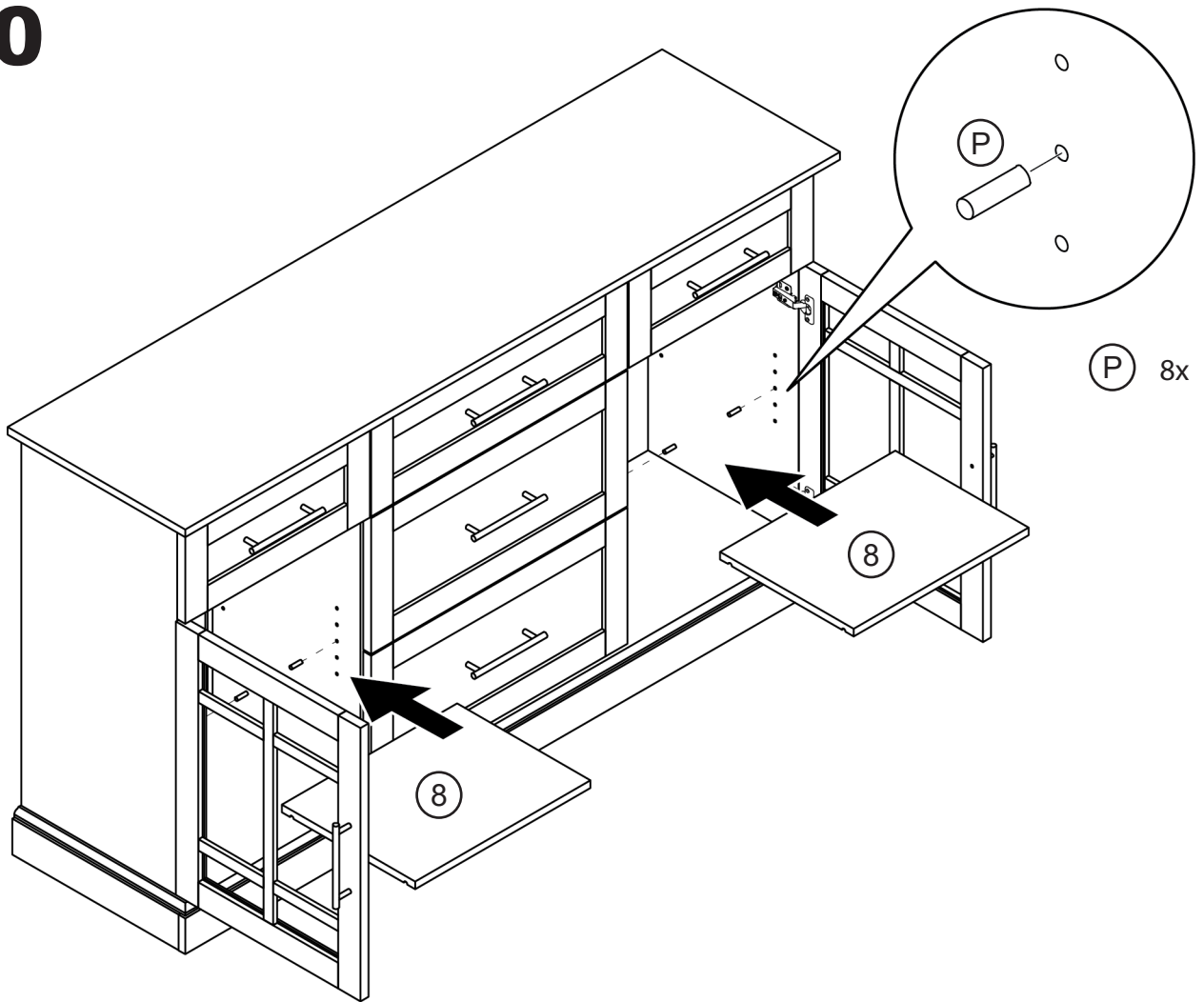




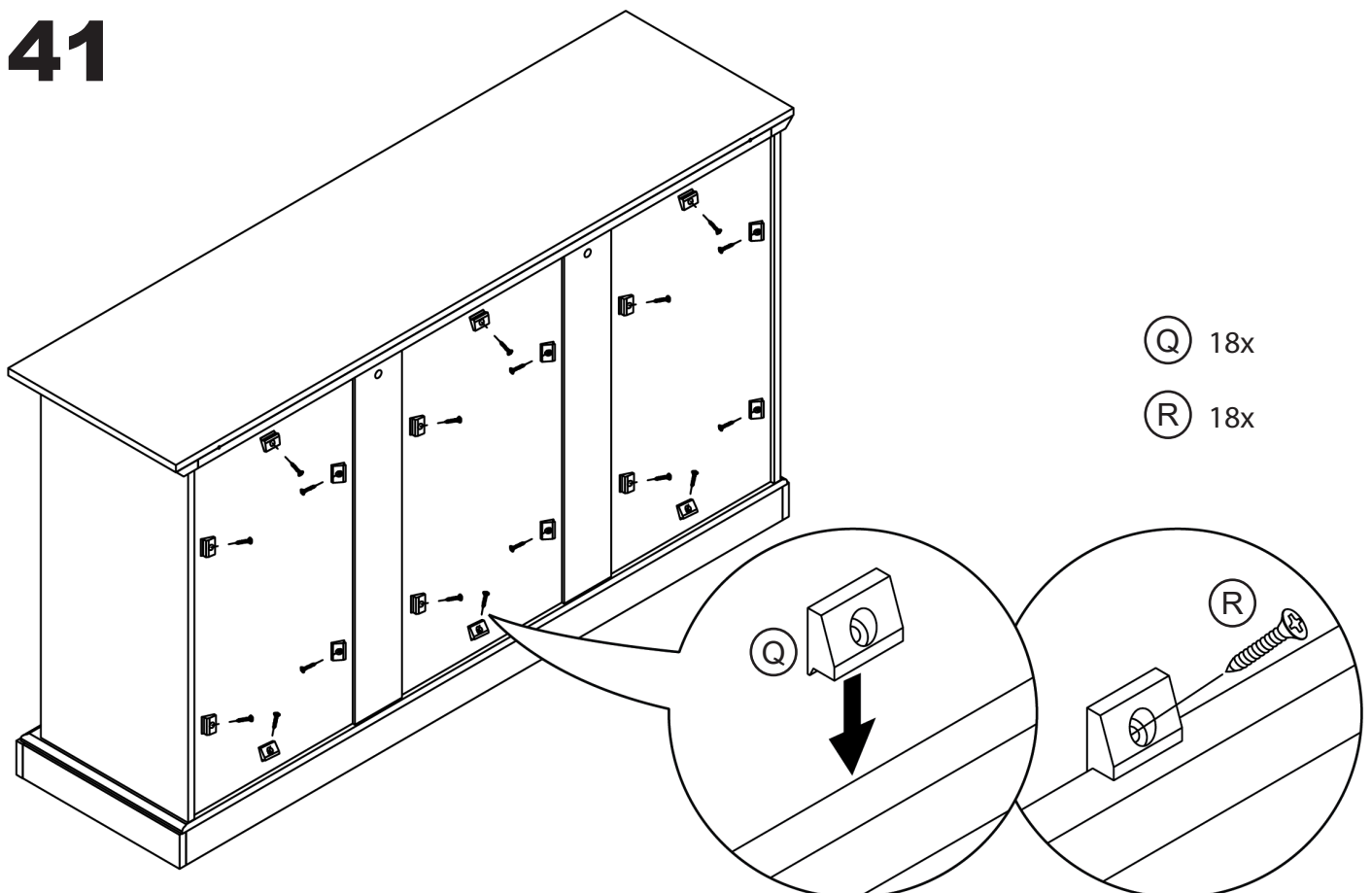
39

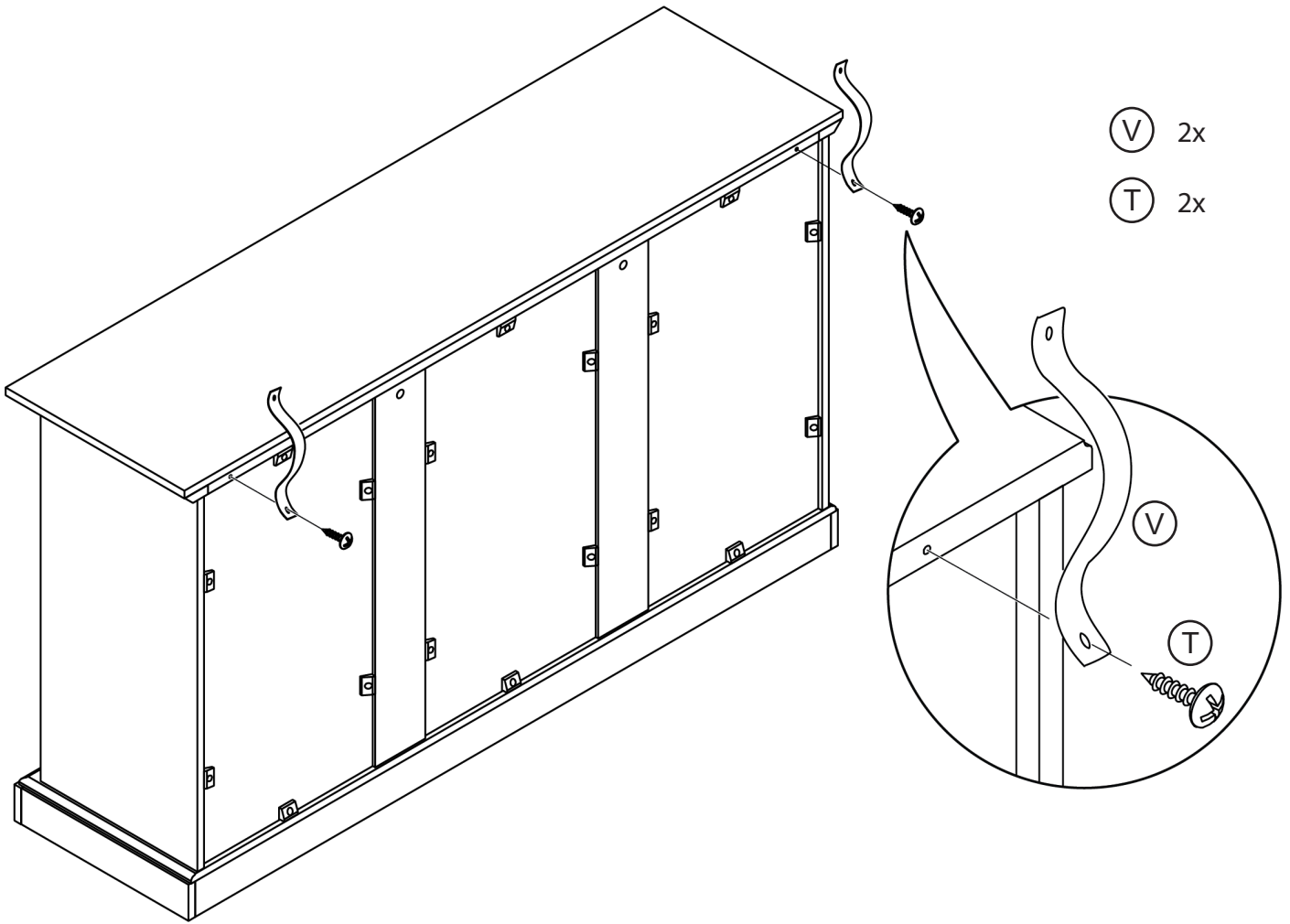


40



41

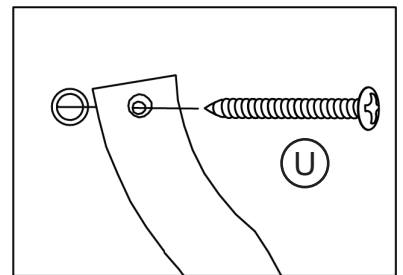
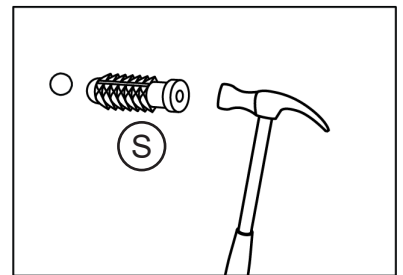
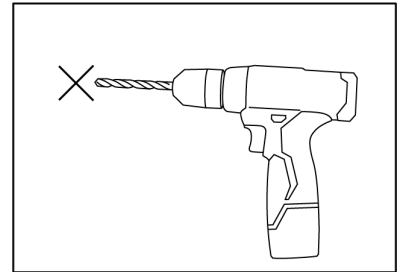
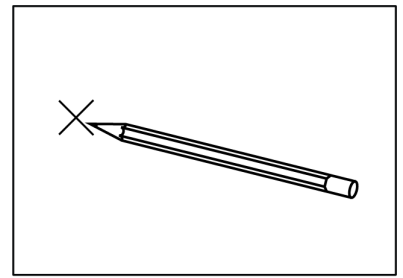
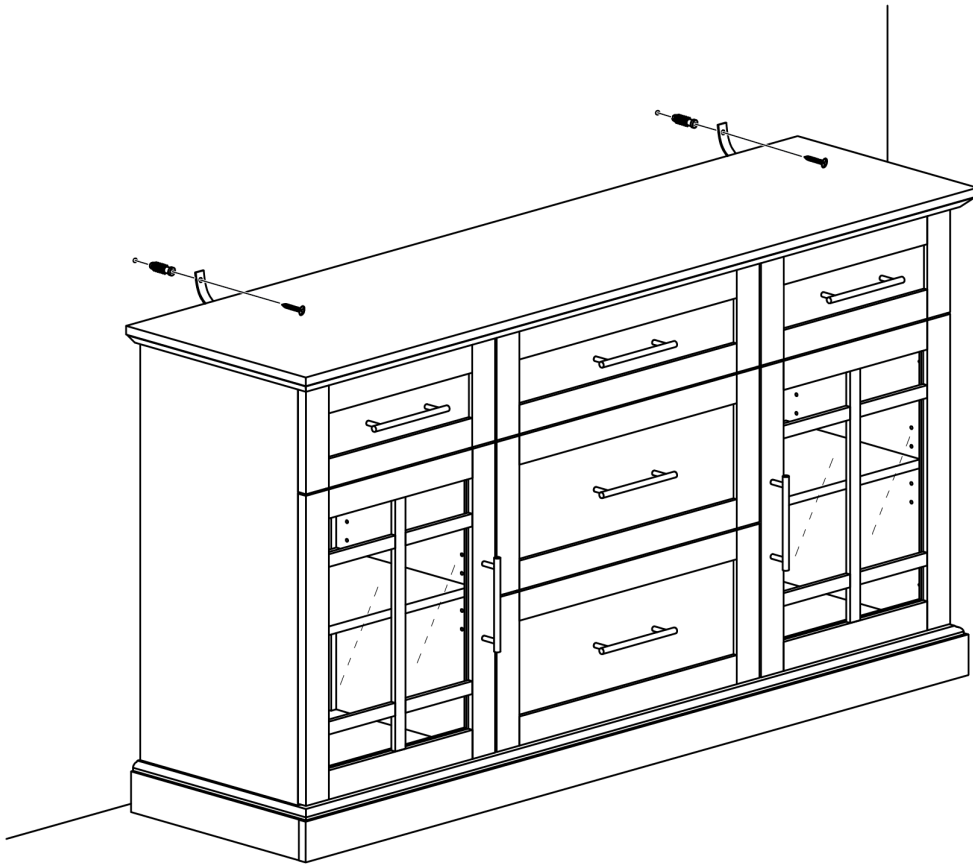




43

Ⓢ 2x

Ⓤ 2x



Furniture must permanently fixed to the wall stud with included anti-tipping device to prevent the furniture from tipping over.

- Mark the drill position on the wall with a pencil.
- Drill a small hole on the marked position.
- Insert a wall anchor into the drilled hole.
- Fixed the anti-tipping strap to the wall with provided screws.

FINISH!

FURNITURE CARE AND MAINTENANCE

Medium - Density Fiberboard

Thank you for your purchase. We want your item to last as long as possible. To ensure the product gives you years of service, please refer to this care and maintenance guide.



MAINTENANCE

- Tighten all bolts and screws again within the first 2 weeks of assembly.
- Check the tightness of all bolts every 2 months, tighten them if necessary.



CLEANING

- Clean the surface of the MDF (medium - density fiberboard) with a lightly dampened cloth.
- Small amount of mild soap can be used if necessary.
- Dry the surface immediately after cleaning.

⚠ DO NOT use bleach or alcohol detergent to clean the surface.

⚠ DO NOT apply wood treatment on parts made with MDF.

Medium - density fiberboard will swell and distort when suffer from water damage. Make sure to dry the furniture immediately after cleaning.

⚠ WARNING

Manufacturer and seller expressly disclaim any and all liability for personal injury, property damage or losses, whether direct, indirect, or incidental, resulting from the incorrect attachment, improper use, inadequate maintenance, unapproved modification or neglect of this product.

Warranty

Our products come with a 1 year warranty from the date of delivery. In any event that the product arrives damaged or missing parts, we are more than happy to provide you with replacement part(s).