

ASSEMBLY INSTRUCTIONS

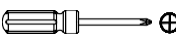
Bianca Chair Item# 69518

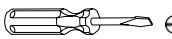
ASSEMBLY
REQUIREMENTS

2-Person
Assembly

1 Hour
Assembly Time
(Approximate)

Tools Required
(Not Provided)

 Phillips Screwdriver

 Flat Screwdriver

 Mallet

Thank you for purchasing our product!

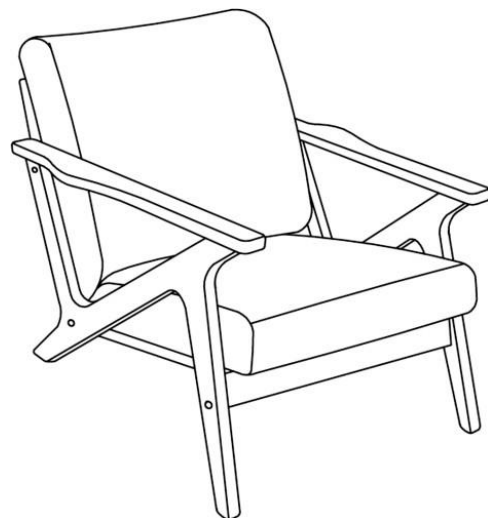
Please refer and use this assembly instruction to assemble the product. Contact our service department in case there are any missing or damage parts or hardware. Replacement parts are normally shipped within 2 or 3 days.

Email: replacementparts@buylateral.com
Within 30 days from delivery date

PRODUCTS PURCHASED THROUGH OUR AUTHORIZED VENDORS ONLY ARE ELIGIBLE FOR REPLACEMENT PARTS

We appreciate your business!

**THIS PRODUCT IS FOR INDOOR AND HOUSEHOLD USE ONLY
- NOT FOR COMMERCIAL USE.**



ASSEMBLY PREPARATION

1. Remove all packaging materials, staples and packing straps from the carton.
2. Refer to Parts List and Hardware List, and ensure parts and hardware are correct before assembly. Contact customer service for missing parts.
3. Place all wooden parts on a clean, flat and soft surface (e.g. carpet or rug) to prevent scratch and damage to parts.

SAFETY PRECAUTION

1. KEEP ALL HARDWARE PARTS OUT OF REACH OF CHILDREN.
2. DISPOSE PLASTIC PACKAGING MATERIAL IMMEDIATELY TO AVOID ANY RISK OF SUFFOCATION TO CHILDREN AND ANIMALS.

TIPS FOR ASSEMBLY

1. Allow ample room for assembly and in close proximity to where product will be placed.
2. Assemble the product on a surface that does not scratch or damage the exterior gloss and finish of the furniture.
3. Identify all of the parts, hardware and quantities required for each step.
4. During assembly, do not over-tighten any fittings as this may cause damage.
5. DO NOT USE POWER TOOLS TO ASSEMBLE THIS PRODUCT.
6. Always place the product on a flat, level surface.
7. Do not sit or stand on the partially assembled product; only use the product for which it is intended.





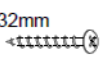


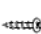

CARE AND MAINTENANCE

- Wipe clean with a soft, dry cloth; avoid the use of harsh chemicals or household cleaners as they may damage the exterior finish of the furniture.
- Hardware may loosen over time. Periodically, check that all connections are tight; re-tighten as necessary.
- Solid wood is impacted by heat and humidity fluctuations and may result in small joint separations or hairline cracks; place the furniture away from direct sunlight and air conditioning vents, heating vents or units to protect the furniture.

ASSEMBLY INSTRUCTIONS

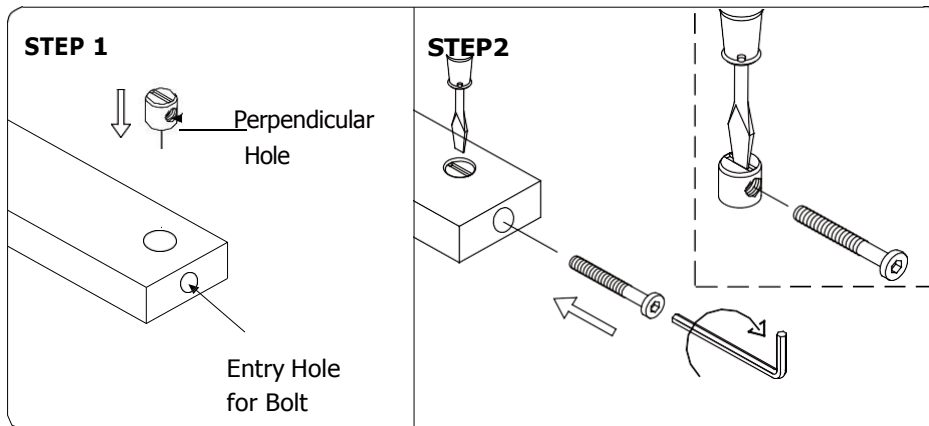
Bianca Chair Item# 69518

PART LIST		
1	SOFA LEG (L/R)	2PCS
2	FRONT RAIL	1PC
3	BACK FRAME	1PC
4	SEAT FRAME	1PC

HARDWARE LIST			EXTRA
A	JCBC M6 x 50mm + S/W M6 + F/W M6 x 13mm 	6PCS	1PC
B	ALLEN KEY M4 (Ball Shape) 	1PC	
C	BARREL NUT M6 x 13mm 	4PCS	1PC
D	WOOD BUTTON ϕ 14.5 	6PCS	1PC
E	PH CB SCREW M4 x 32mm 	2PCS	1PC
F	WOOD DOWEL M10 x 40mm 	4PCS	1PC
G	L BRACKET 	2PCS	
H	PH CB SCREW M4 x 16mm 	4PCS	1PC
I	LEG STUD 5/8" (WITH PIN) 	4PCS	1PC

*EXTRA HARDWARE FOR SPARE USE

Instructions for Installing Barrel Nut



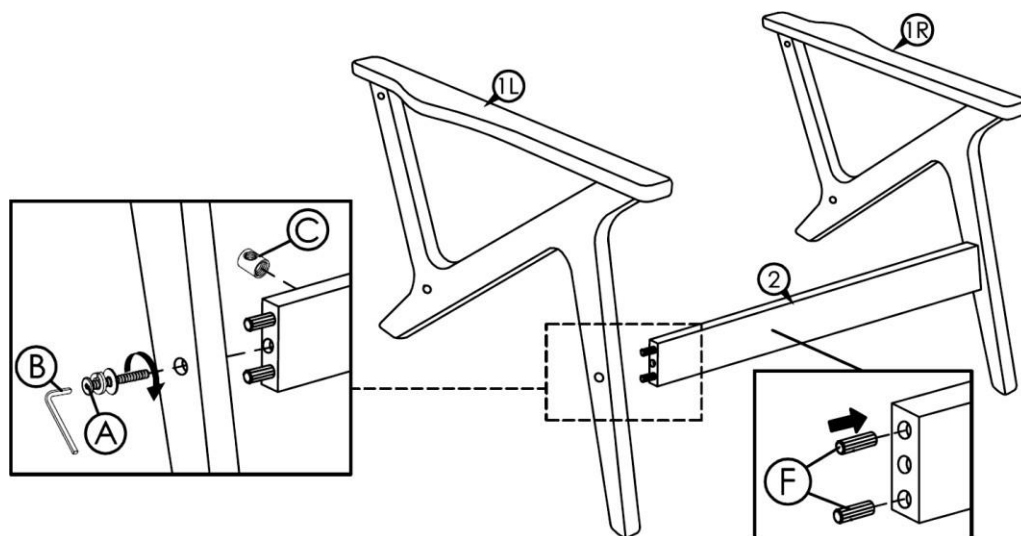
Insert Barrel Nut with the perpendicular hole facing and in-line with the drill hole that the bolt is to be inserted.

Use a Flat-head Screwdriver to hold Barrel Nut in position before inserting bolt to thread into the Barrel Nut.

ASSEMBLY INSTRUCTIONS

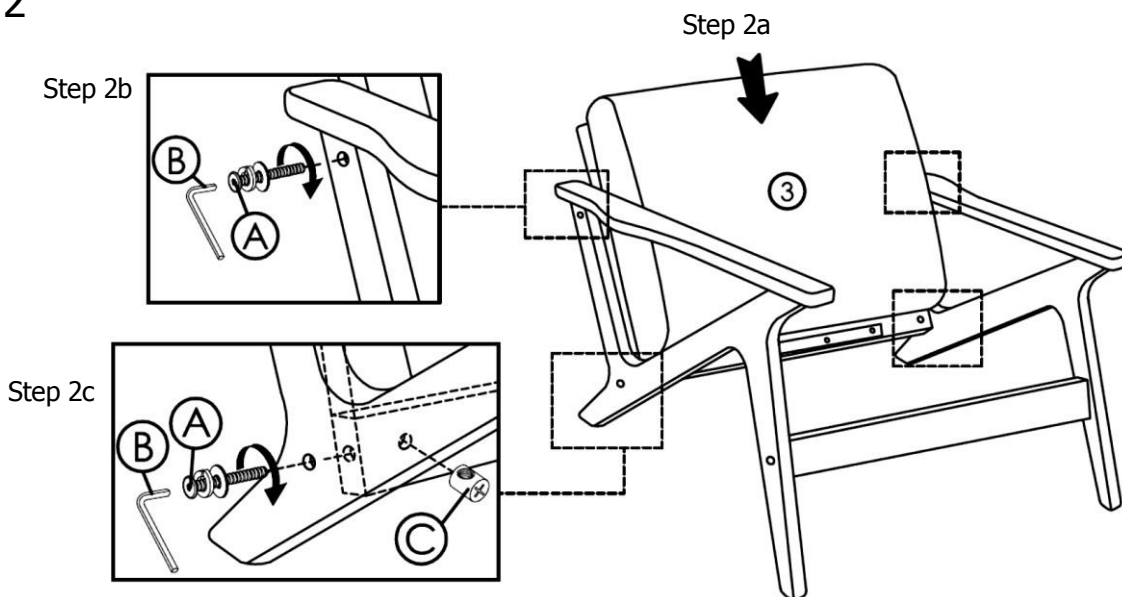
Bianca Chair Item# 69518

STEP 1



- Insert Wood Dowel (F) into the top and bottom holes on both edges of Front Rail (2).
- Install Barrel Nut (C) into designated hole on inside surface of (2) - refer to instructions on installing Barrel Nut.
- Attach Left and Right Chair Leg (1L & 1R) to (2) via wood dowels on (2).
- Insert Bolt (A)+SW+FW through bolt hole on (1L & 1R) to screw into Barrel Nut (C) in (2). Use Allen Key (B) to drive (A). Do not tighten (A) completely at this time.

STEP 2

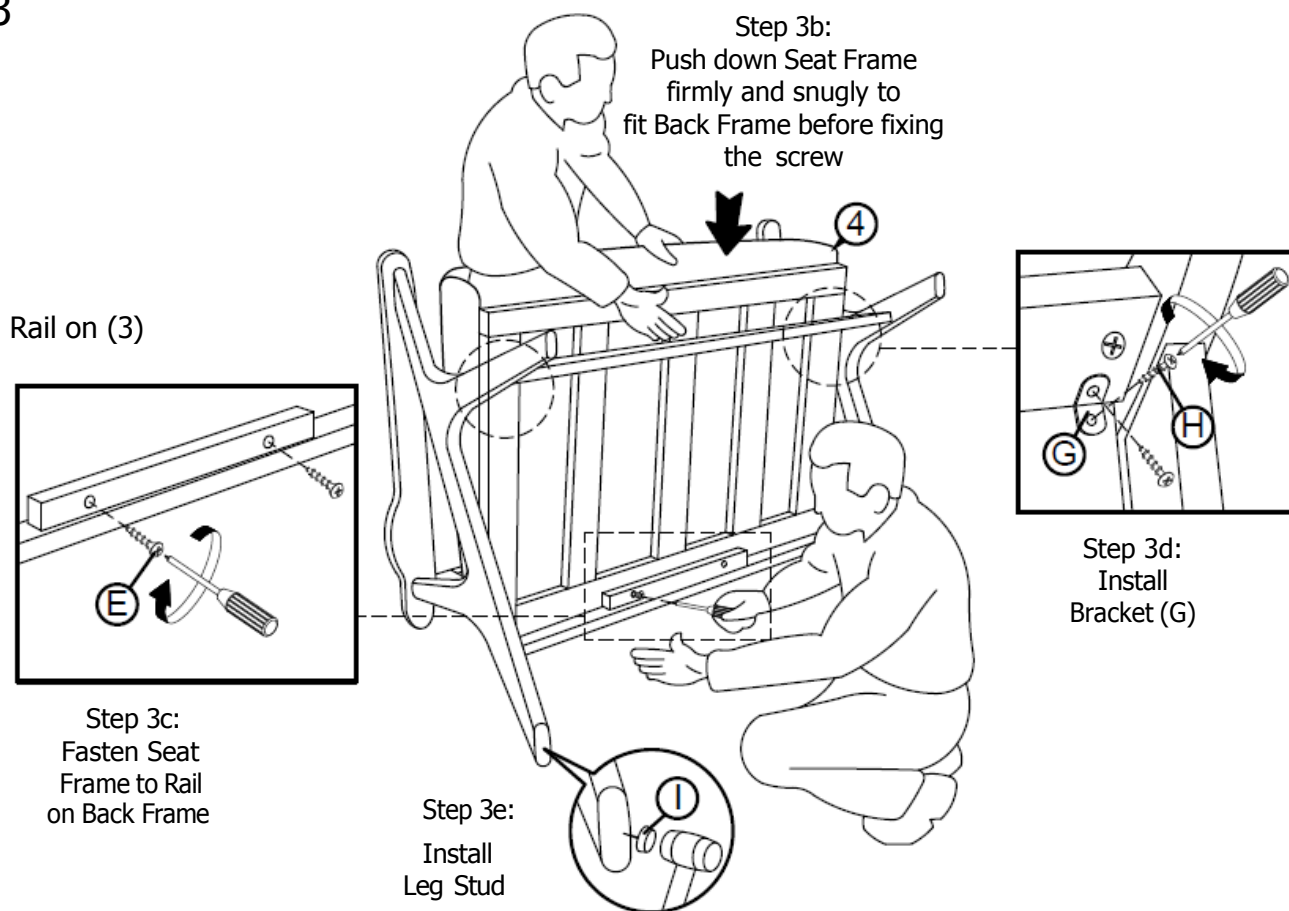


- Fit Back Frame (3) between Left and Right Leg (1L & 1R). With assistance, align bolt holes on side edge of (3) to bolt holes (1L & 1R).
- Use Bolt (A)+SW+FW to loosely fasten (3) to (1L & 1R)
- Install Barrel Nut (C) into designated hole on base of (3) and insert Bolt (A)+SW+FW through designated hole on Leg Frame to screw into Barrel Nut (C) to fasten (3) to (1L & 1R). Use Allen Key (B) to drive (A). Do not tighten (A) completely at this time.

ASSEMBLY INSTRUCTIONS

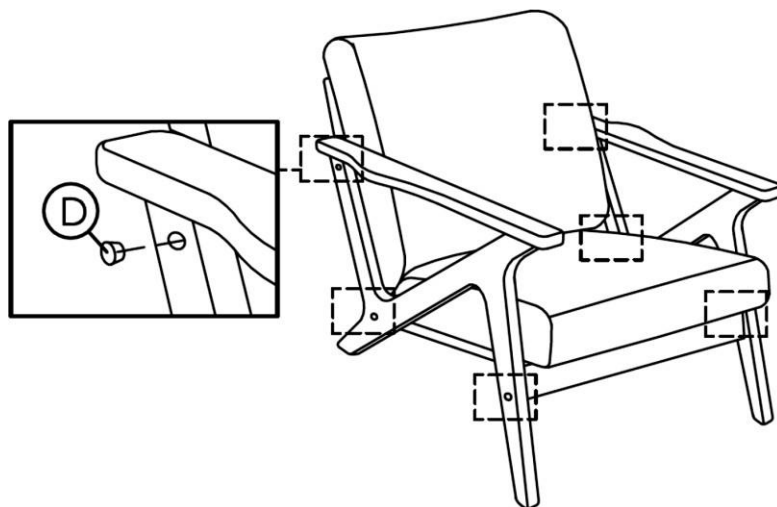
Bianca Chair Item# 69518

STEP 3



- With assistance, lay assembly from STEP 2 to rest on Back Frame (3) as shown.
- Fit Seat Frame (4) firmly between Leg Frames. Check to ensure the rear edge of (4) fits snugly to Base of Back Frame (3) and rest on the Rail.
- Use Screw (E) to fasten rear edge of Seat Frame (4) to Rail on Back Frame (3).
- Use Screw (H) to install L-Bracket (G) to secure Seat Frame (4) to Front Rail (2).
- Use a mallet or hammer to tap in Leg Stud (I) to each leg.

STEP 4



- Set the chair right-side up and tighten all of the Bolts (A) completely at this time.
- Use Wood Button (D) to conceal bolt holes on leg frames.

The assembly of the chair is complete.