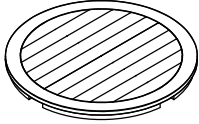
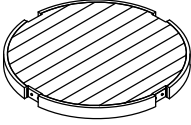

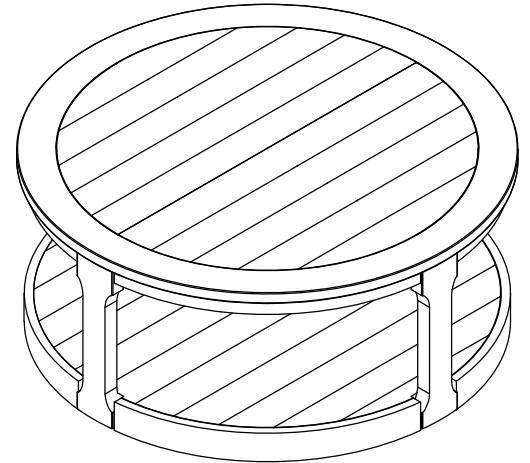


ASSEMBLY INSTRUCTION

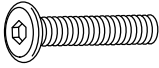


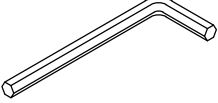
Thank you for purchasing this quality product. Be sure to check all packing material carefully for small parts which may have come loose inside the carton during shipment. Identify and count all parts compare with the hardware list below.

Part List

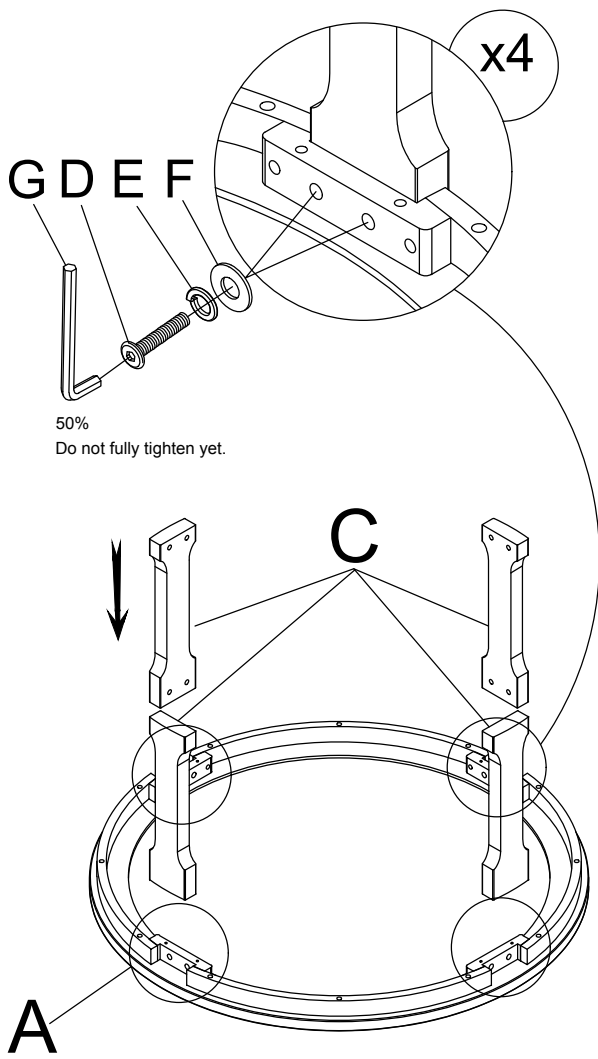
| Item | Description | | QTY |
|------|--------------|---|-----|
| A | Top Panel |  | 1 |
| B | Bottom Panel |  | 1 |
| C | Leg |  | 4 |



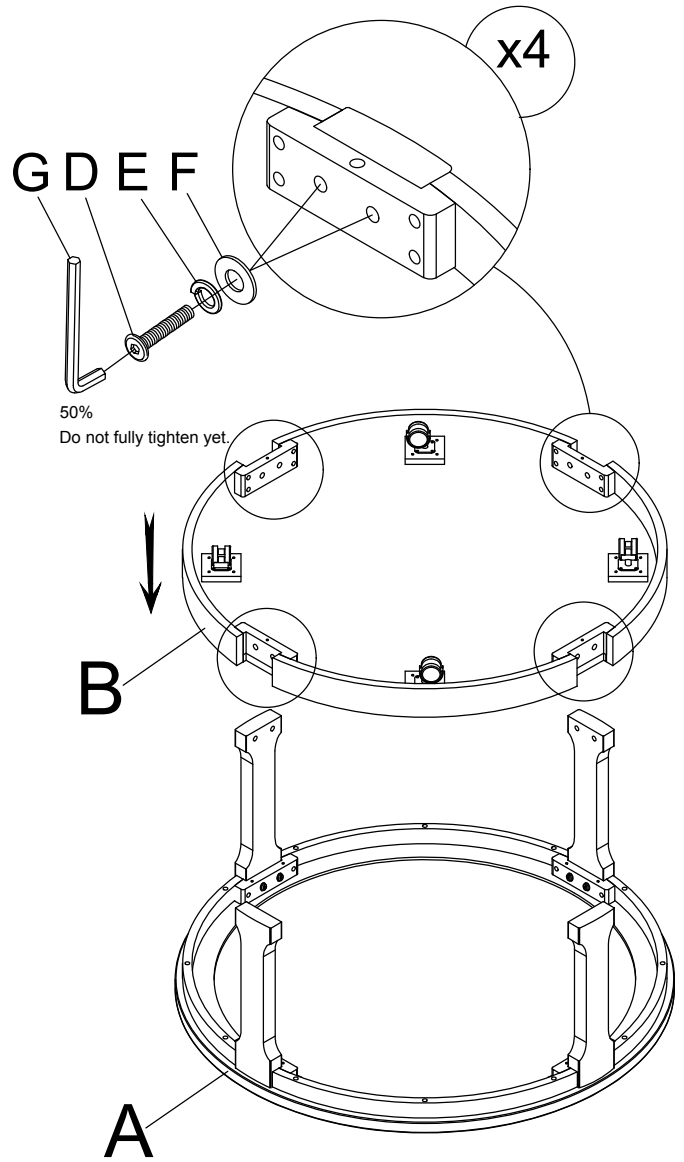
Hardware List

| Item | Description | | QTY |
|------|------------------|---|-----|
| D | |  | 16 |
| E | 1/4" Lock washer |  | 16 |
| F | 1/4" Flat washer |  | 16 |
| G | Allen Key |  | 1 |

Step 1

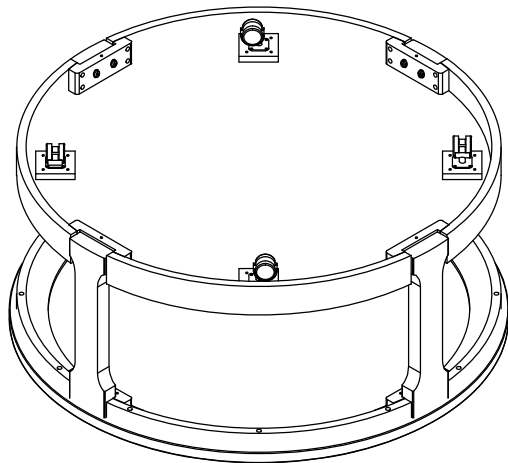


Step 2



Step 3

100%
Fully tighten all bolts.



Step 4 Complete!

