

Kids Bunk Bed with Climbing Ladder-Twin

USER MANUAL



PLEASE READ THE FOLLOWING TERMS CAREFULLY

Load-Capacity: 250 lbs

Use only a mattress twin size which is 74" -75" long and 37-12"---38-1/2" wide on upper bunk.

Ensure thickness of mattress does not exceed 8 and mattress is at least 5" below upper edge of guardrails.

STRANGULATION HAZARD- Never attach or hang items to any part of the bunk bed that are not limited to, hooks, belts, and jumprobes.

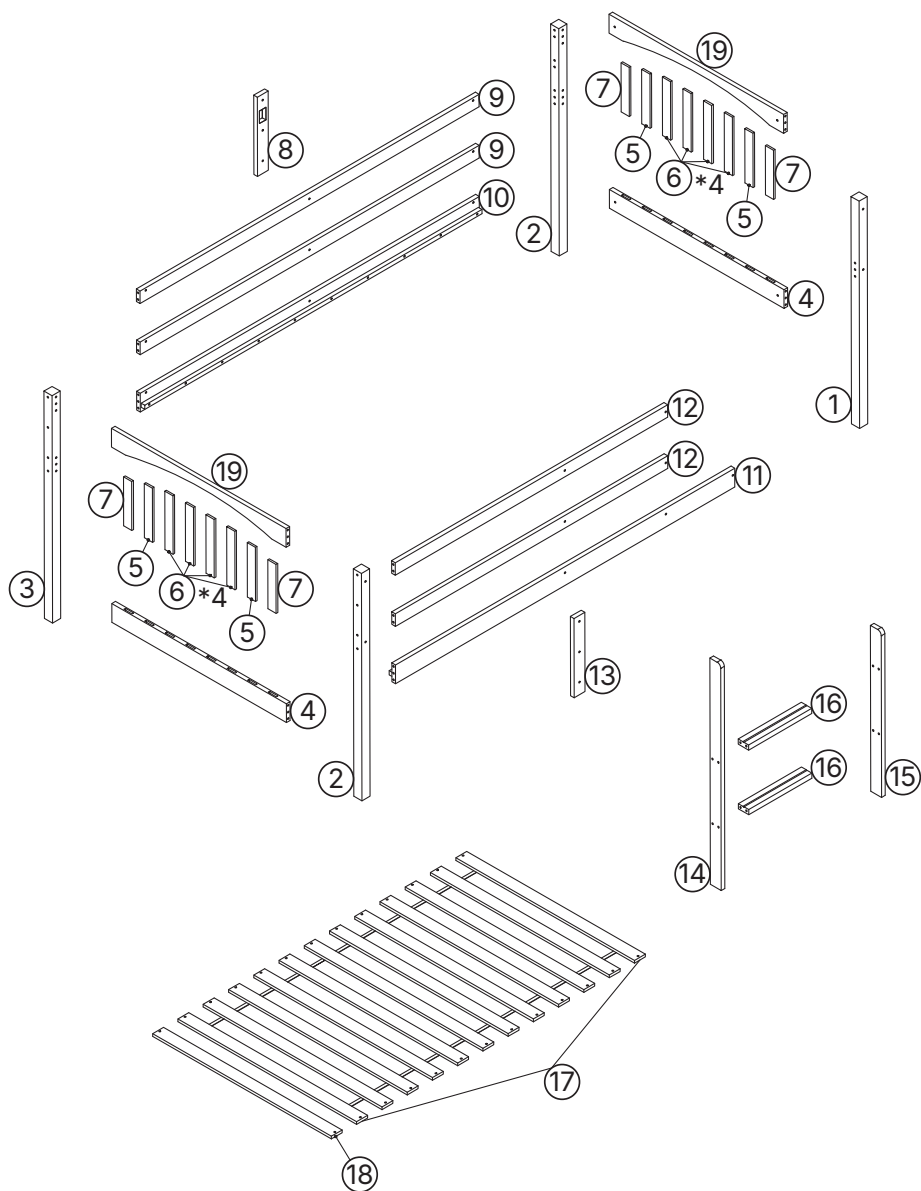
NOTE

1. When receiving the goods, please confirm the product according to the instructions. Once you find less pieces, please provide relevant pictures to contact us. We will deal it in the time.
2. Please install goods with the instruction manual.
3. It is recommended that the installation should not be too tight to adjust easily. After the structure is installed, firm the interface for more stability.

WARNING

1. Follow the information on the warnings appearing on the upper bunk end structure and on the carton. Do not remove warning labels from bed.
2. Always use the recommended size mattress or mat tress support, or both, to help prevent the likelihood of entrapment or falls.
3. The surface of the mattress must be at least 5 in. (127 mm) below the upper edge of guardrails.
4. Do not allow children under 6 years of age to use the upper bunk.
5. Periodically check and ensure that the guardrail, ladder, and other components are in their proper position, free from damage, and that all connectors are tight.
6. Do not allow horseplay on or under the bed and prohibit jumping on the bed.
7. Always use the ladder for entering and leaving the upper bunk.
8. Do not use substitute parts. Contact the manufacturer or dealer for replacement parts.
9. Use of a night light may provide added safety precautions for a child using the upper bunk.
10. Always use guardrails on both long sides of the upper bunk. If the bunk bed will be placed next to the wall, the guardrail that runs the full length of the bed should be placed against the wall to prevent entrapment between the bed and wall.
11. The use of water or sleep flotation mattresses is prohibited.
12. Keep these instructions for future reference.

PLEASE READ THE FOLLOWING TERMS CAREFULLY



PLEASE CHECK THE PACKAGING AND ACCESSORIES
TO MAKE SURE NOTHING IS MISSING

 **ATTENTION! IT SHOULD BE INSTALLED BY ADULTS ONLY, KEEP CHILDREN AWAY**

①



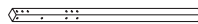
1090×45×45 X1

②



1090×45×45 X2

③



1090×45×45 X1

④



965×90×20 X2

⑤



260×45×10 X4

⑥



280×45×10 X8

⑦



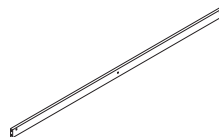
235×45×10 X4

⑧



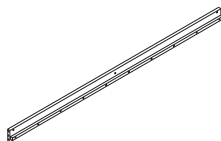
380×60×20 X1

⑨



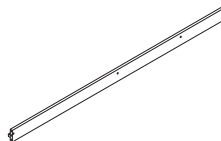
1880×60×20 X2

⑩



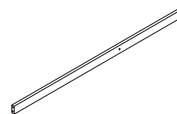
1880×90×20 X1

⑪



1880×90×20 X1

⑫



1510×60×20 X2

PLEASE CHECK THE PACKAGING AND ACCESSORIES
TO MAKE SURE NOTHING IS MISSING

13



380x60x20 X1

14



1085x60x20 X1

15



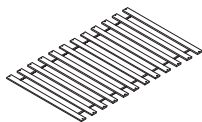
795x60x20 X1

16



350x58x25 X2

17



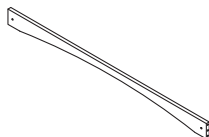
X12

18



X1

19



965x90x20 X2

A



M6x90 X22

C



X22

D



X26

PLEASE CHECK THE PACKAGING AND ACCESSORIES
TO MAKE SURE NOTHING IS MISSING

E



X6

F



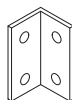
M6x30 X6

J



M3x16 X14

K



X1

L



M7x60 X12

M



X2

N



X4

Q



M3x25 X26

S



M4 X2

U



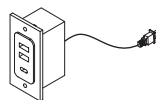
X1

V



X8

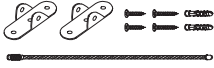
W



X1

PLEASE CHECK THE PACKAGING AND ACCESSORIES
TO MAKE SURE NOTHING IS MISSING

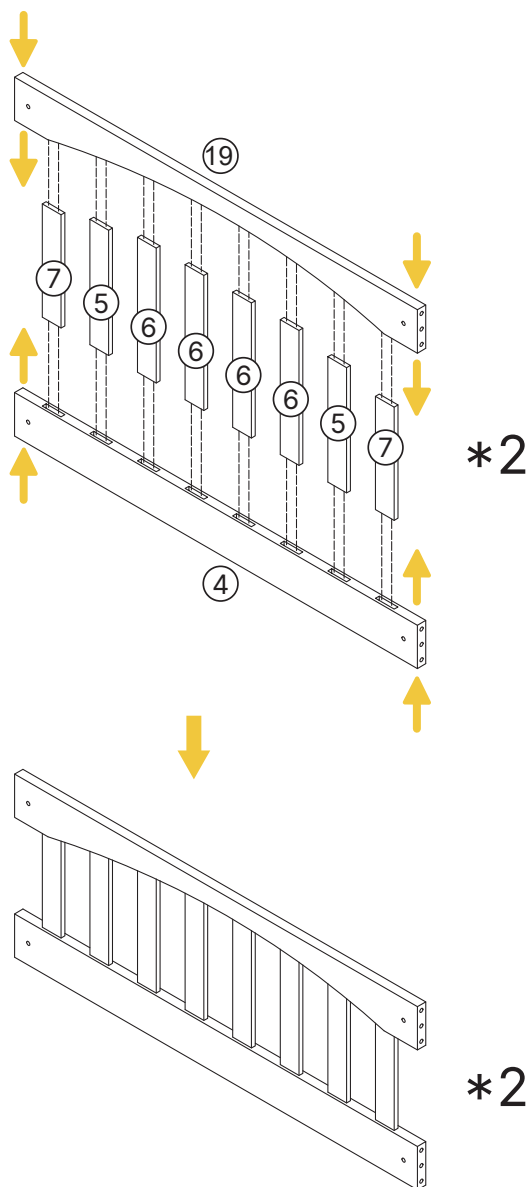
Z



X1

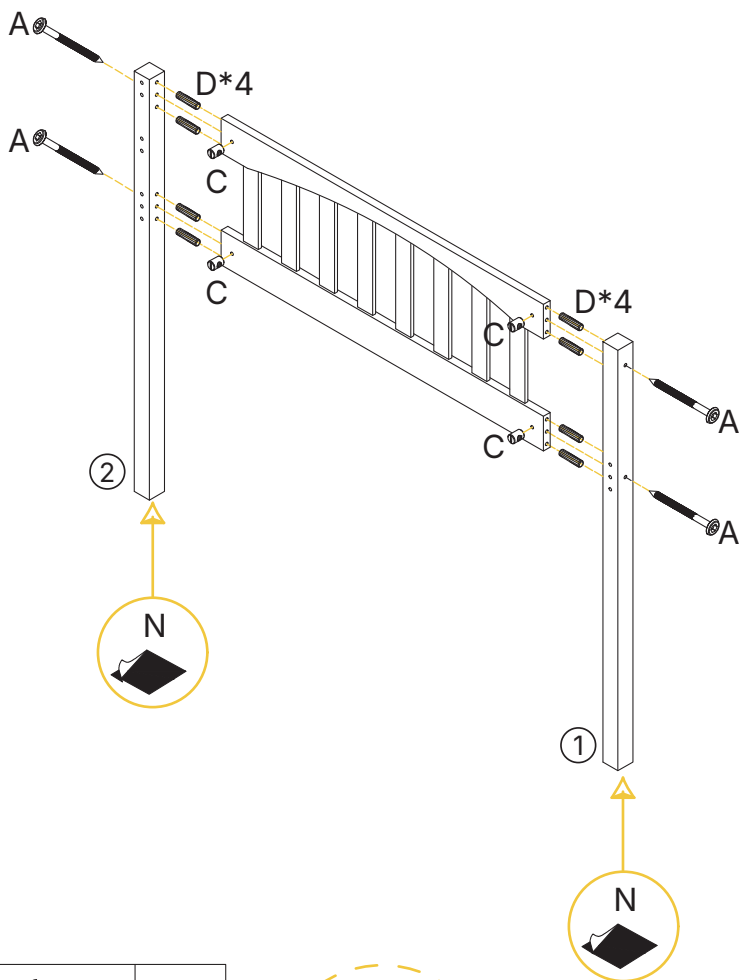
ASSEMBLY INSTRUCTIONS

1

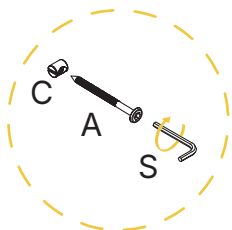


ASSEMBLY INSTRUCTIONS

2

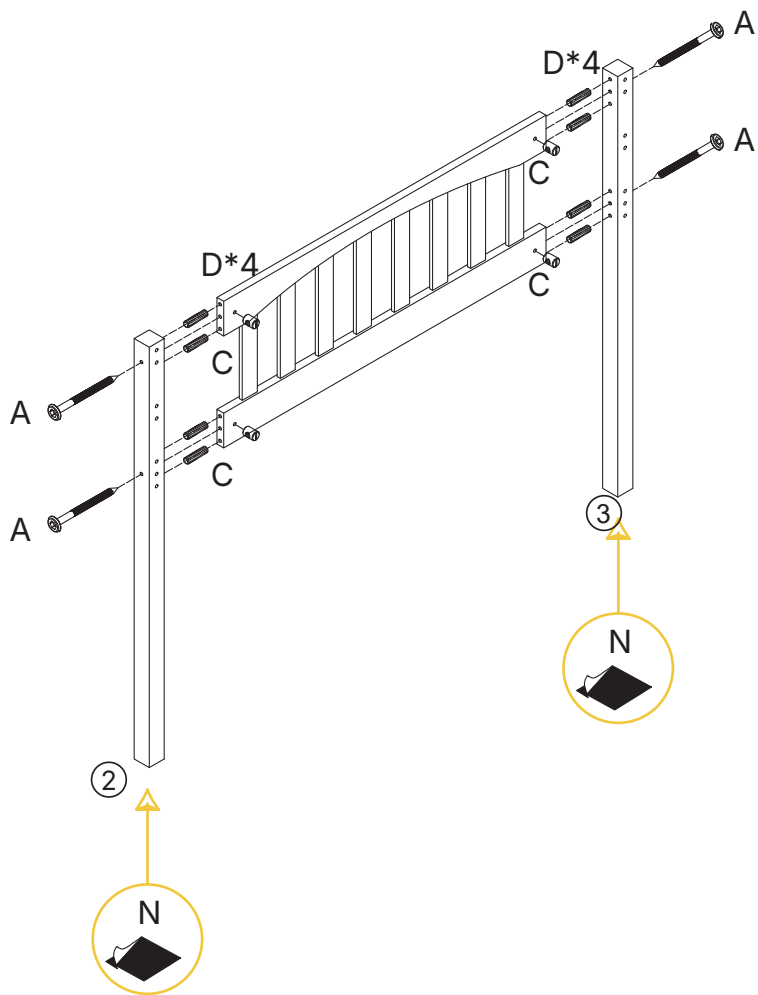







| | | | |
|---|-------|--|-------|
| A | M6x90 | | 4 PCS |
| C | | | 4 PCS |
| D | | | 8 PCS |
| N | | | 2 PCS |
| S | M4 | | 1 PC |

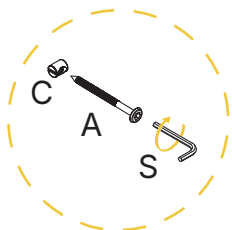


ASSEMBLY INSTRUCTIONS

3

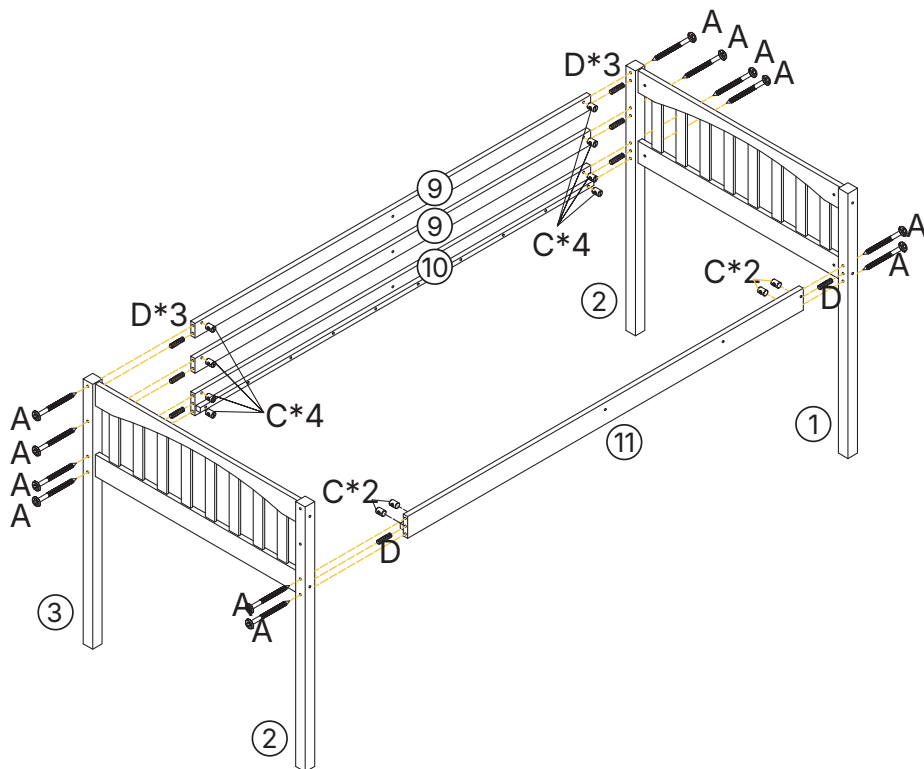






| | | | |
|---|-------|-------------------------------------------------------------------------------------|-------|
| A | M6x90 |  | 4 PCS |
| C | |  | 4 PCS |
| D | |  | 8 PCS |
| N | |  | 2 PCS |
| S | M4 |  | 1 PC |

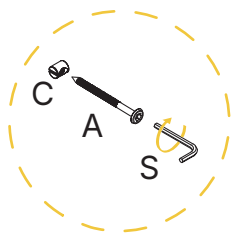


ASSEMBLY INSTRUCTIONS

4

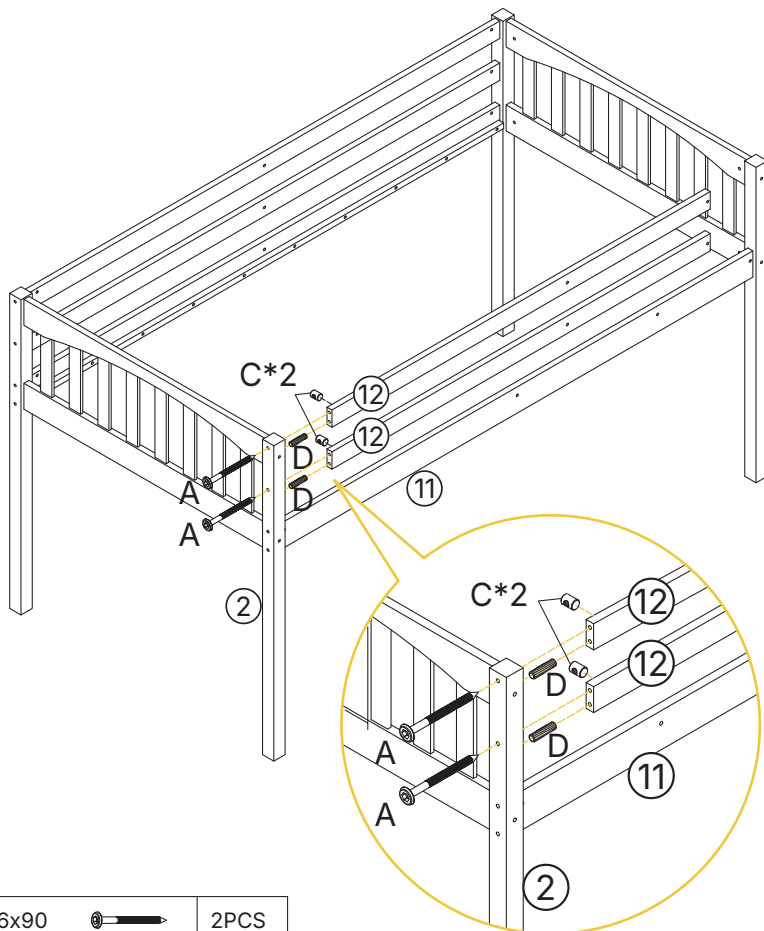






| | | | |
|---|-------|-------------------------------------------------------------------------------------|-------|
| A | M6x90 |  | 12PCS |
| C | |  | 12PCS |
| D | |  | 8PCS |
| S | M4 |  | 1PC |



ASSEMBLY INSTRUCTIONS

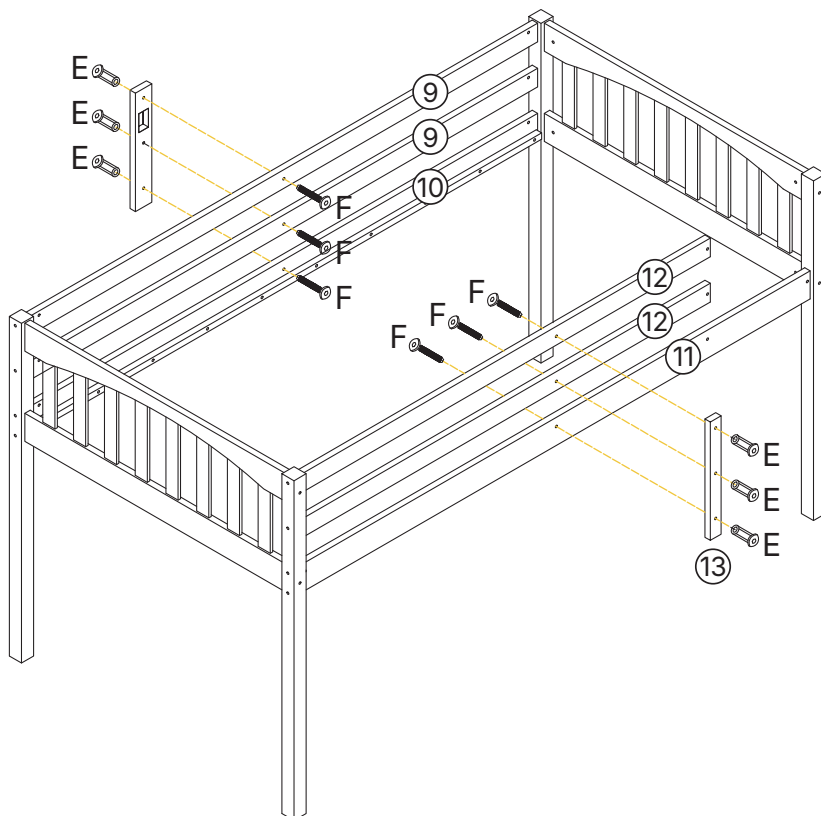
5






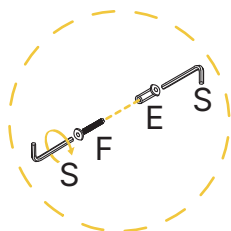
| | | | |
|---|-------|-------------------------------------------------------------------------------------|------|
| A | M6x90 |  | 2PCS |
| C | |  | 2PCS |
| D | |  | 2PCS |
| S | M4 |  | 1PC |

ASSEMBLY INSTRUCTIONS

6

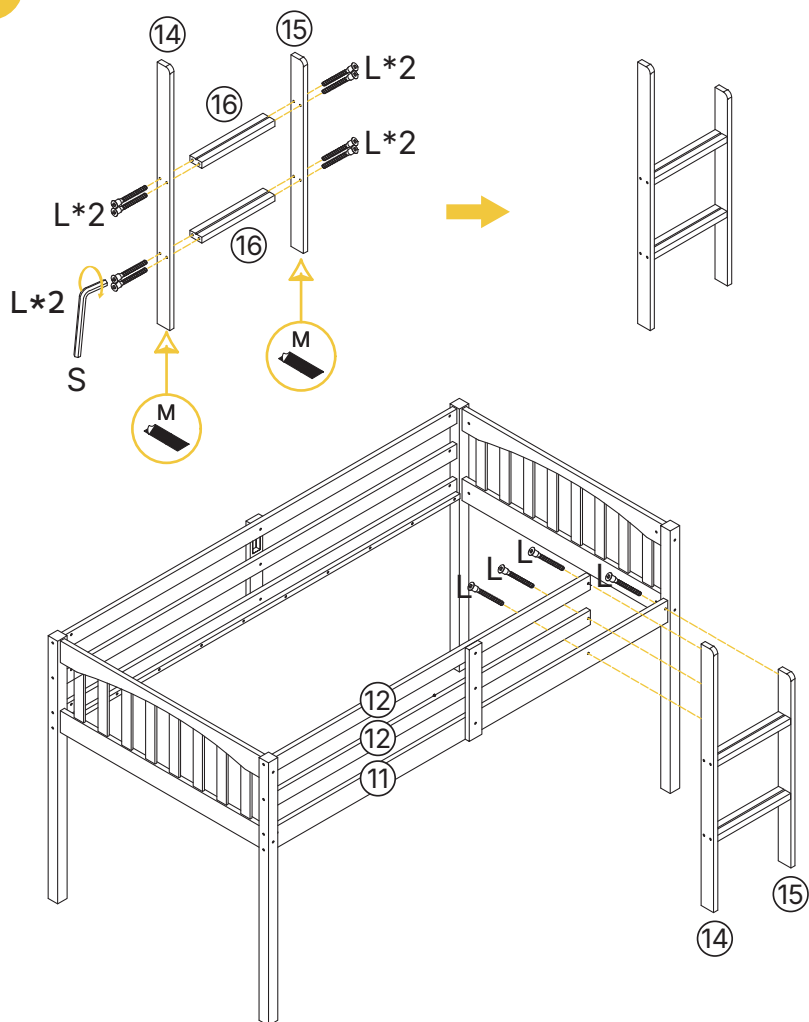





| | | |
|---|-------------------------------------------------------------------------------------------|------|
| E |  | 6PCS |
| F | M6x30  | 6PCS |
| S | M4  | 2PCS |



ASSEMBLY INSTRUCTIONS

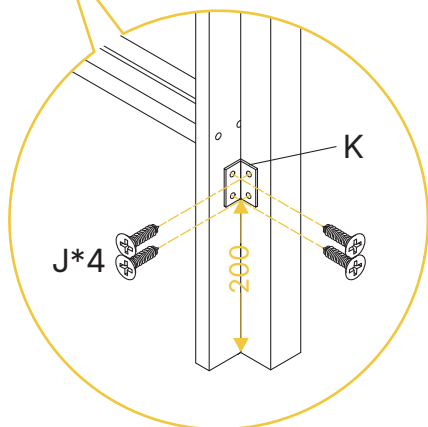
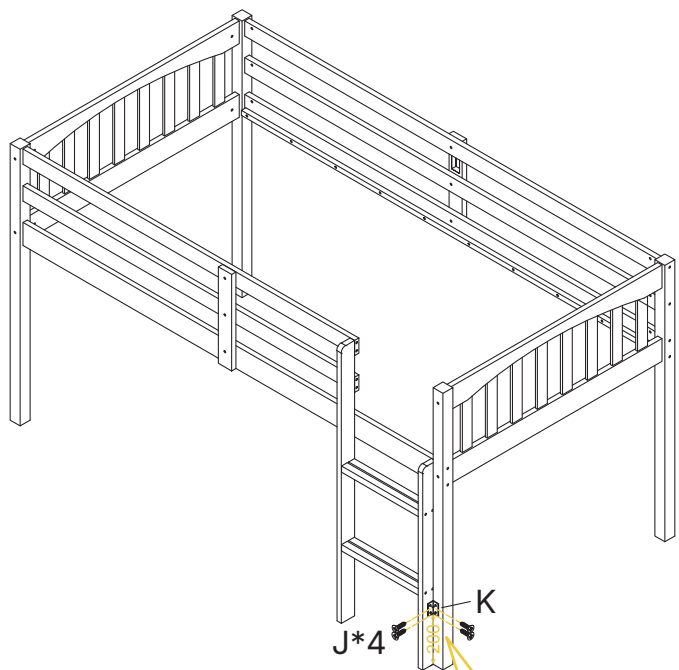
7





| | | | |
|---|-------|-------------------------------------------------------------------------------------|-------|
| L | M7x60 |  | 12PCS |
| M | |  | 2PCS |
| S | M4 |  | 1PC |

ASSEMBLY INSTRUCTIONS

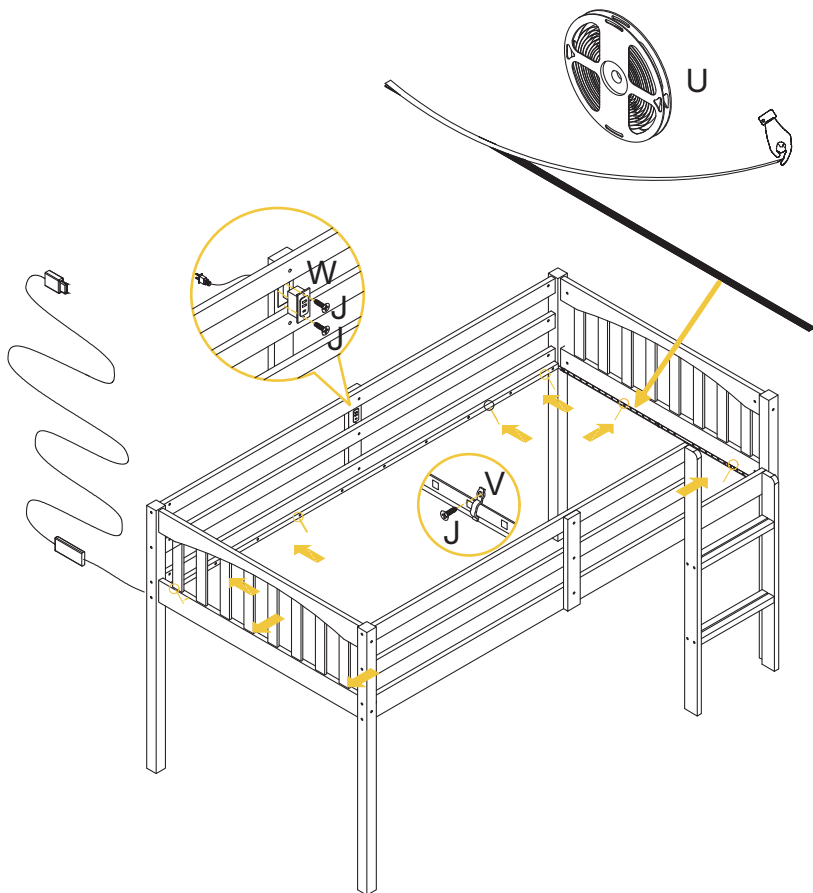
8







| | | | |
|---|-------|-------------------------------------------------------------------------------------|------|
| J | M3x16 |  | 4PCS |
| K | |  | 1PC |

ASSEMBLY INSTRUCTIONS

9



| | | | |
|---|-------|-------------------------------------------------------------------------------------|-------|
| J | M3x16 |  | 10PCS |
| U | |  | 1PC |
| V | |  | 8PCS |
| W | |  | 1PC |

ASSEMBLY INSTRUCTIONS

Operation Instructions of Controller

I. Specifications:

Working temperature: -20 - 60°C

Supply voltage: DC 5 - 12V

Output: Three CMOS drain - open output

Connecting Mode: Common anode

Max load current: 2A each color

II. Control Method:

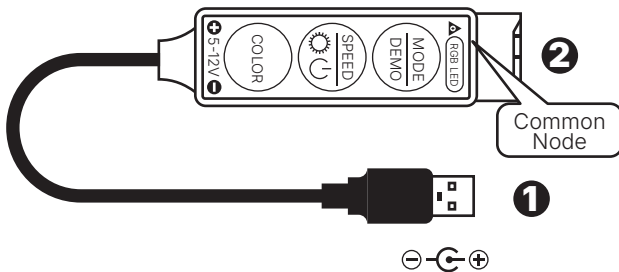
It adopts an integrated button control, including 3 buttons, and the functions of each button are as follows:

① MODE key, dynamic mode: Press for the first time to switch to dynamic mode, and continue to tap to switch between flashing modes, with a total of 19 flashing effects.

② SPEED key: The button function includes pressing and holding for 1 second to power off, and clicking to turn on the power. In flashing mode, you can tap the button to adjust the speed, and in static color mode, you can tap the button to adjust the brightness.

③ COLOR KEY: Static single color switching, which contains 20 color choices, in this state press the SPEED key to adjust the brightness of the light.

III. Panel specification and connecting drawing as follows:

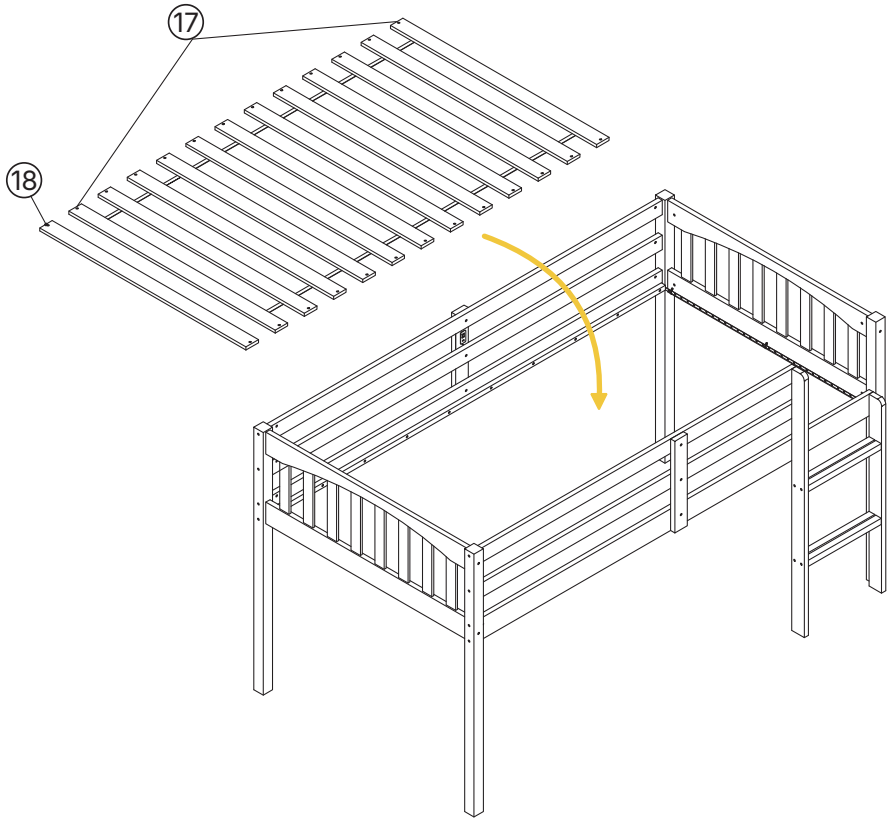


IV. Warning:

1. The power connection of this product is DC 5 - 12V, and 24V or AC 220V cannot be used.
2. Never connect two wires directly in case of short circuit.
3. Lead wire should be connected correctly according to colors that connecting diagram offers.
4. Warranty of this product is one year, in this period we guarantee replacement or repairing with no charge, but exclude the artificial situation of damaged or overload working.

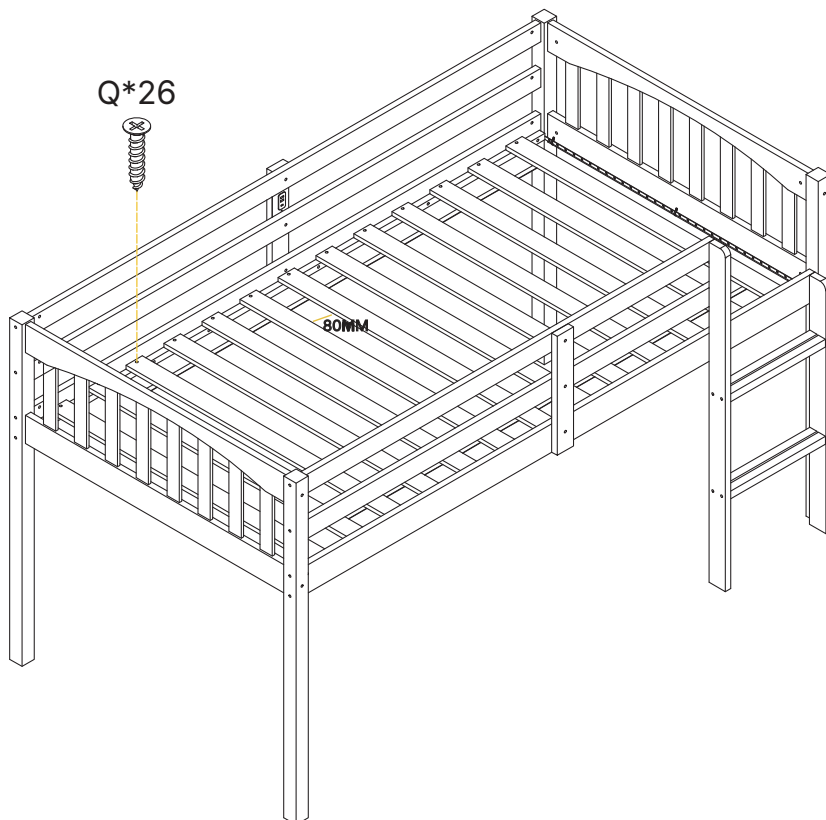
ASSEMBLY INSTRUCTIONS

10




ASSEMBLY INSTRUCTIONS

11



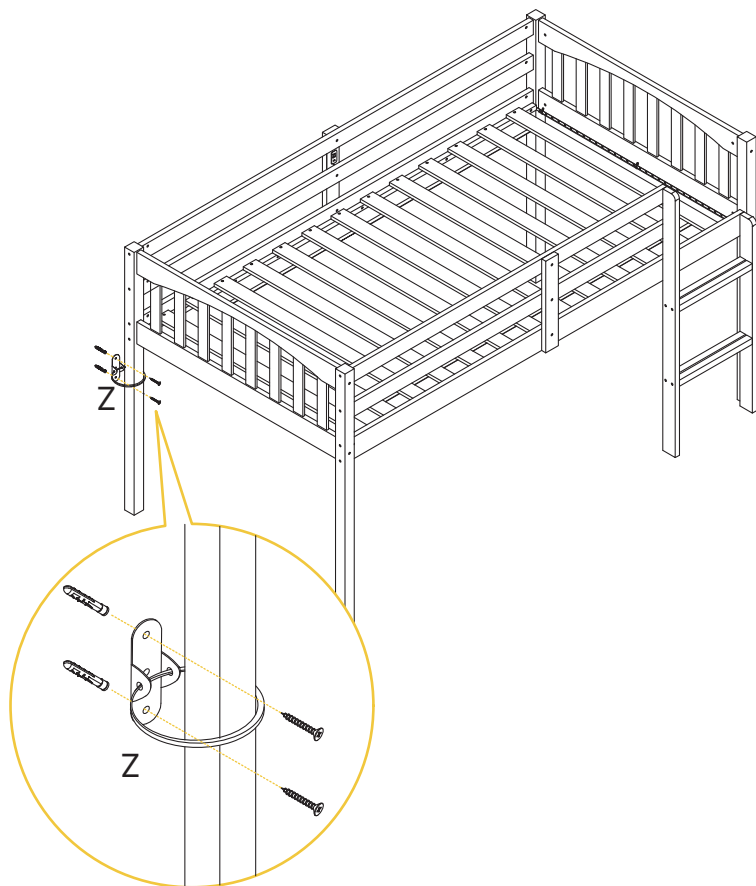
Please keep both bedside close to the slats
The spacing between the bed slats is 80mm.

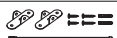
| | | | |
|---|-------|-------------------------------------------------------------------------------------|-------|
| Q | M3x65 |  | 26PCS |
|---|-------|-------------------------------------------------------------------------------------|-------|

| | | | |
|---|-------|-------------------------------------------------------------------------------------|--|
| R | M4x30 |  | |
|---|-------|-------------------------------------------------------------------------------------|--|

ASSEMBLY INSTRUCTIONS

12



| | | |
|---|-------------------------------------------------------------------------------------|-----|
| Z |  | 1PC |
|---|-------------------------------------------------------------------------------------|-----|