

# POWER RECLINER WITH POWER HEADREST Model ORPHEUS

## ASSEMBLY INSTRUCTIONS IMPORTANT, RETAIN FOR FUTURE REFERENCE: READ CAREFULLY.

### Care and Cleaning

Dust often and use a vacuum cleaner crevice tool to clean seams. To maintain the fabric appearance, gently clean soiled areas with a soft cloth dampened with a mild, water based detergent. Remove all lather and wipe with a clean, damp cloth. Dry with another soft cloth by blotting the damp surface (do not rub).

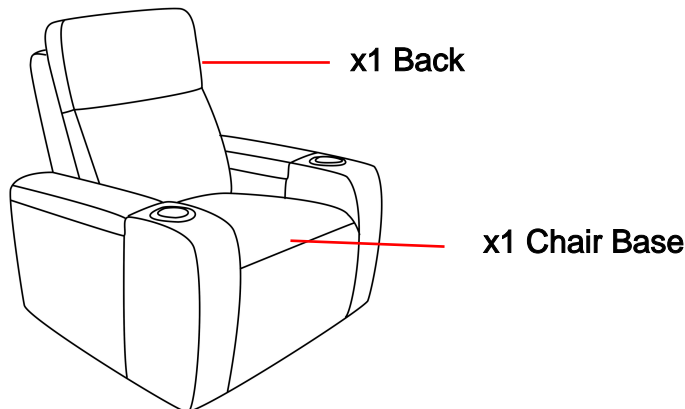
**Spot Cleaning Fabric:** Blot any spills immediately; do not rub. Blot away the excess liquid with a clean, dry, white cloth; turning the cloth frequently.

**Do not** use common household cleaners, solvents, or dry cleaning fluids on fabric furniture. These cleaners may cause damage.

**Do not** use or place sharp objects on upholstered furniture.

**Do not** place furniture in direct sunlight and keep furniture at least 60 cm / 2 ft from heat sources to avoid fading.

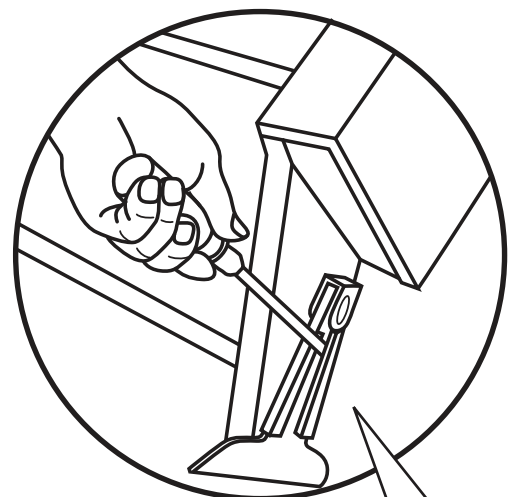
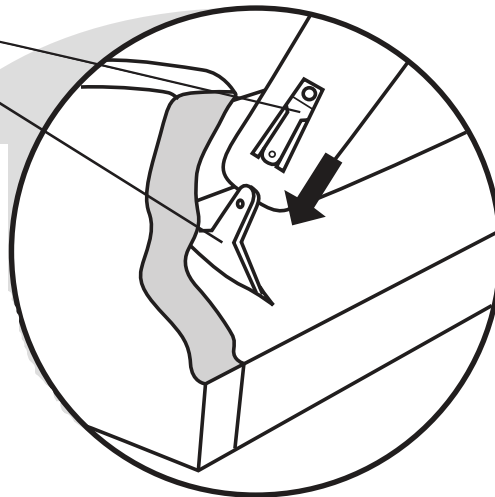
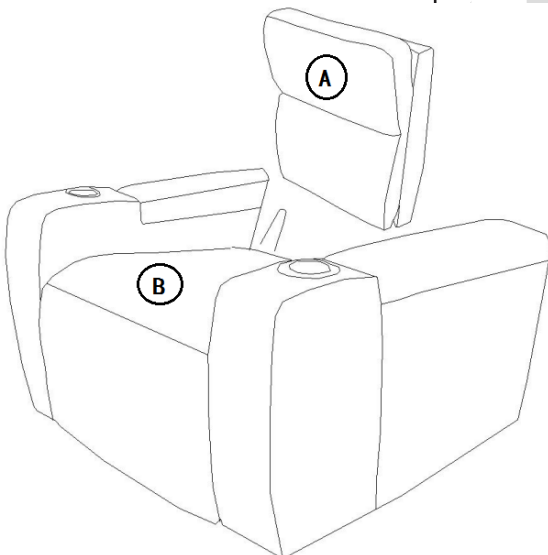
### Contents of Cartons



Power Cord

### Assembly of Chair

Receiver  
Steel bracket



To remove, use a screwdriver pressing outward on the black tab in the metal sleeve on both sides of the furniture.

# POWER RECLINER WITH POWER HEADREST

## Model ORPHEUS

### ASSEMBLY INSTRUCTIONS

#### Electrical Connections

NOTE: The Power Transformer and Power Cord are located under the chair in a separate box.

