

# LED CEILING FAN

## Installation & Troubleshooting Manual

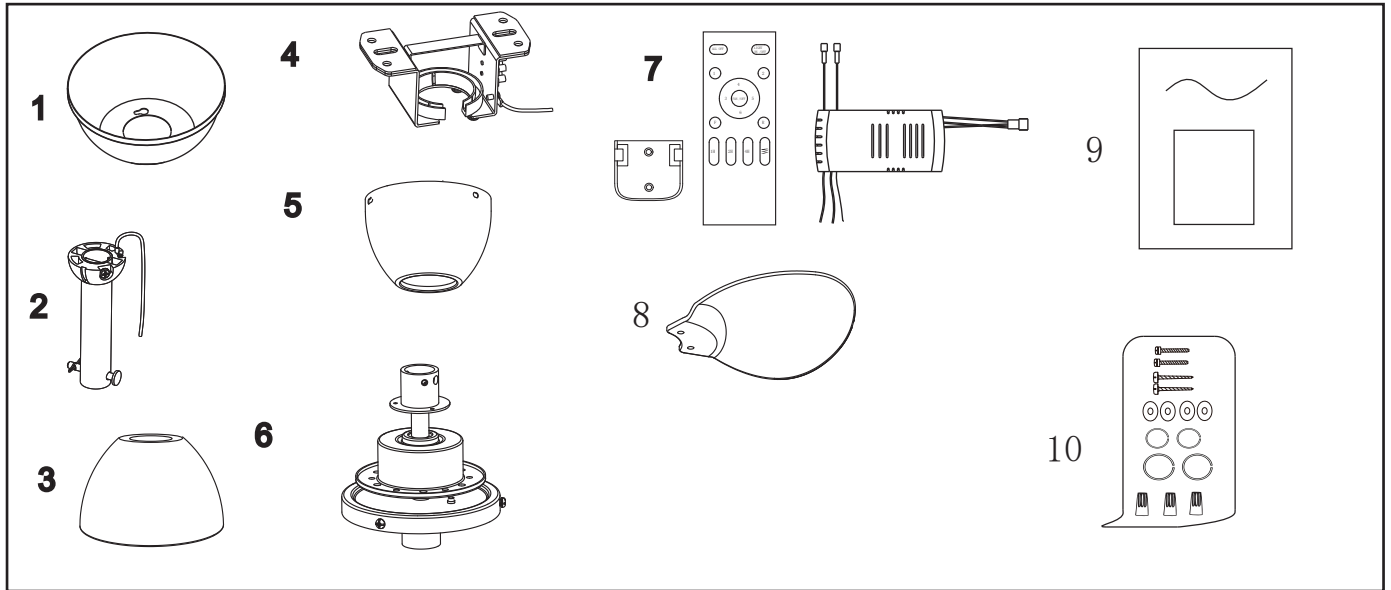
Model: WS-FPZ74-18    Input: 120V 60Hz  
230V 50Hz

AAA 1.5V Remote Battery not Included

### CAUTION

Read Instructions Carefully for Safe Installation and Fan Operation.

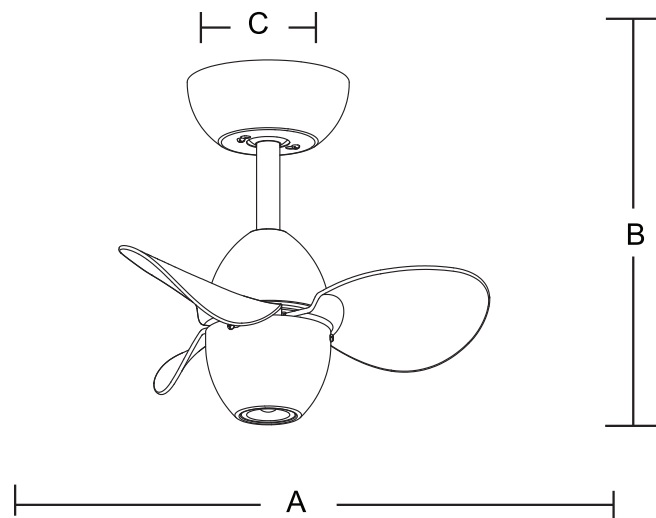
# Package Contents



Unpack your fan and check the contents. You should have the following items

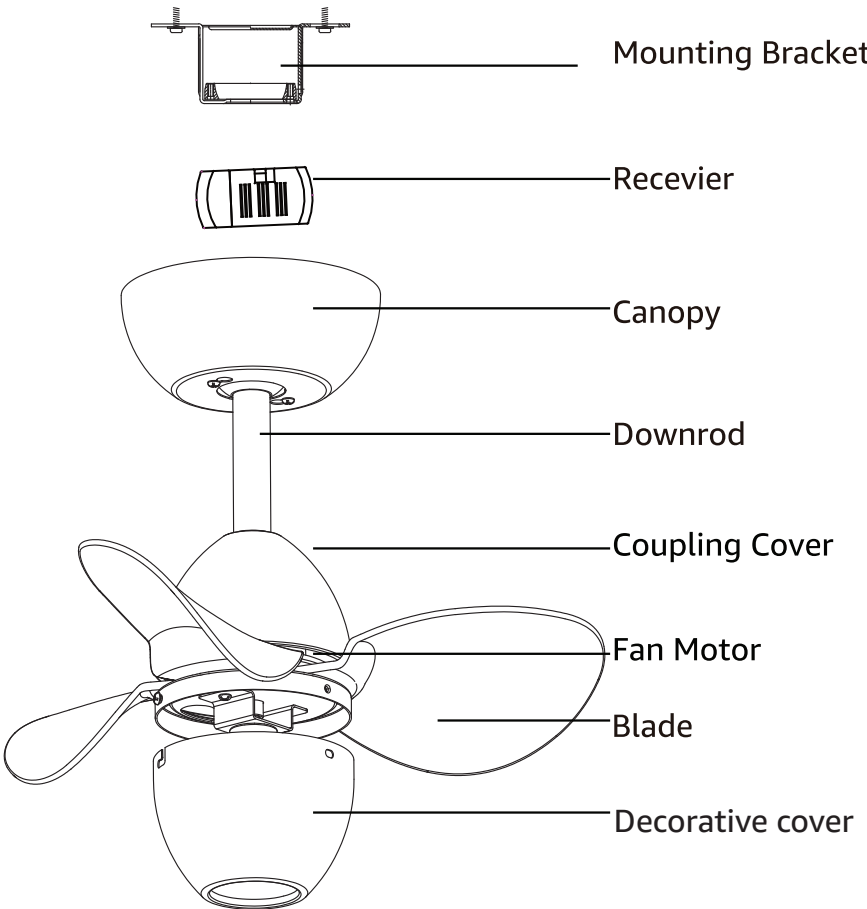
- 1.) Canopy x1
- 2.) Downrod x2
- 3.) Coupling Cover x1
- 4.) Mounting Bracket x1
- 5.) Decorative cover x1
- 6.) Fan Motor x1
- 7.) Remote control set x1
- 8.) Blade x3
- 9.) Installation Instructions x1
- 10.) Assembly Kit x1

## Dimension Reference



A.400mm B.320mm C.150mm

# Exploded View Detail



# Safety Instructions

READ ALL SAFETY INFORMATION AND INSTALLATION INSTRUCTIONS BEFORE YOU BEGIN TO INSTALL THE FAN AND SAVE INSTRUCTIONS.

- All set screws of the fan must be checked and retightened where necessary before installation.
- To reduce the risk of personal injury, do not bend the blade brackets when installing the brackets, balancing the blades or cleaning the fan. Do not insert foreign objects between rotating fan blades.
- Before changing the fan direction, turn off the fan and wait for the fan blades to stop completely.
- The safeguards provided by these safety instructions and by the separate installation instructions are not meant to cover all possible conditions and situations that may occur. It must be understood that common sense, caution and care are factors which can not be built into this product. These factors must be supplied by the person(s) installing, caring for and operating the fan.

## WARNING

- To avoid risk of electric shock, be sure to shut off power at the main fuse or circuit breaker box before installing or servicing this fixture. Turning off the electrical power by using the light switch is not sufficient to prevent electrical shock.
- To reduce the risk of injury, install the fan so that the blades are at least 7 feet (2.3 meters) above the floor and at least 18 inches (0.5 meters) from the tip of the blades to the wall.
- To reduce the risk of fire, electric shock, or personal injury, mount to outlet box marked "acceptable for fan support" and use mounting screws provided with the outlet box.
- The installation has to be in accordance with the national electrical code, ANSI/NFPA 70-1999 and local codes. If you are unfamiliar with the methods of installing electrical wiring, seek the services of a qualified licensed electrician.

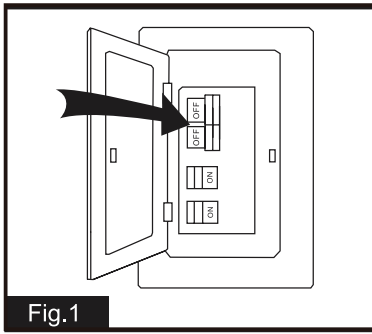
## INSTALLATION INSTRUCTIONS

### IMPORTANT:

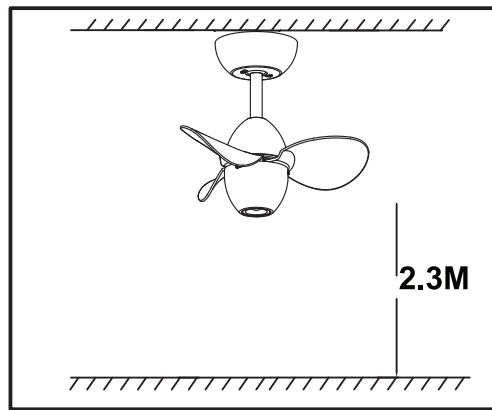
- before you begin installation, carefully read all information provided in the safety instructions and installation instructions. If in doubt, consult a qualified electrician.
- save all instructions.

NOTE: The fan weight is 17.64 lbs (8 kgs). Be sure the outlet box you are using is securely attached to the building structure and can support the full weight of the fan. Failure to do so can result in serious injury.

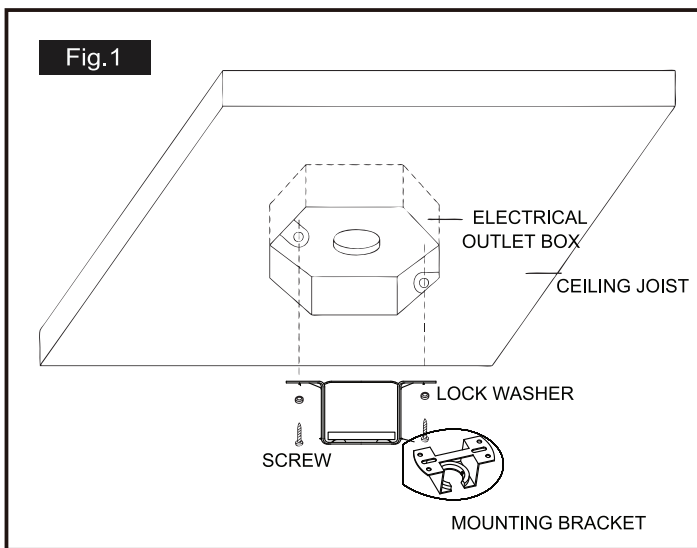
# Installation Steps



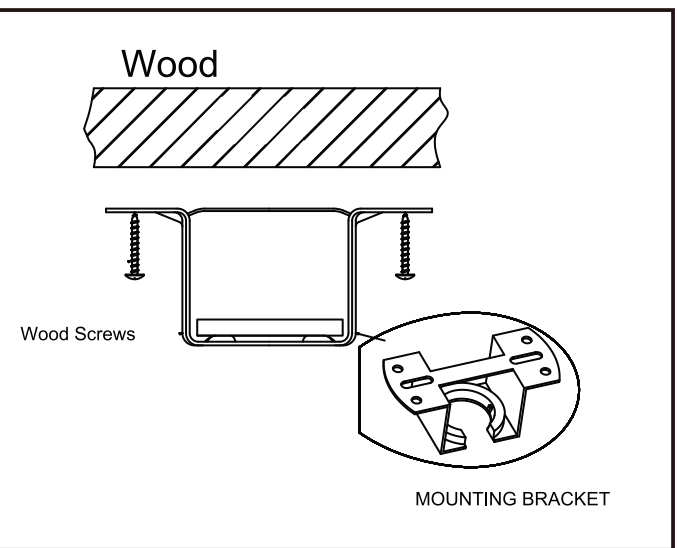
Turn OFF the electric circuit at the main fuse or circuit breaker box.



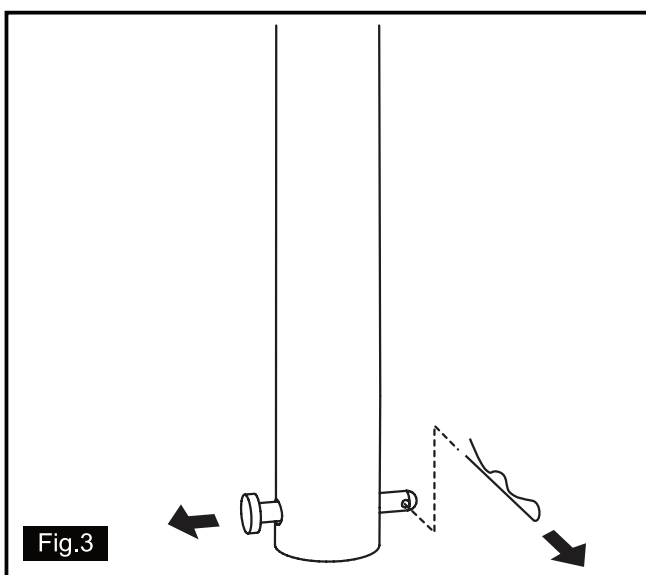
Fan blades to the ground shall note less than 2.3 meters.



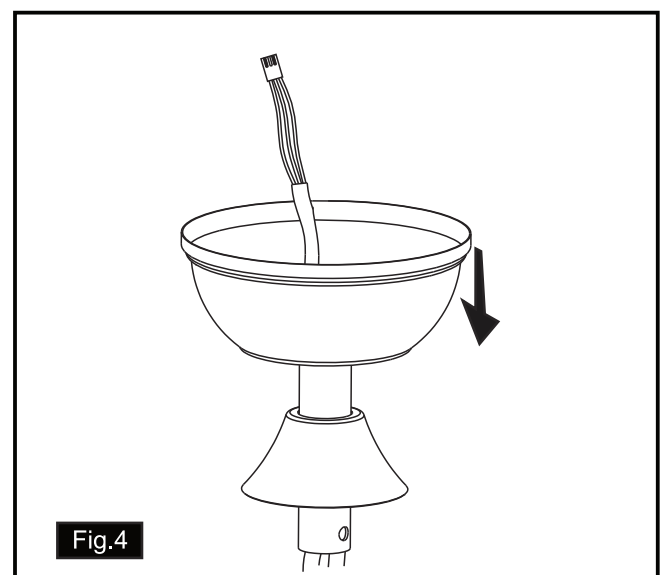
The mounting bracket must be securely fastened to a structural ceiling member.



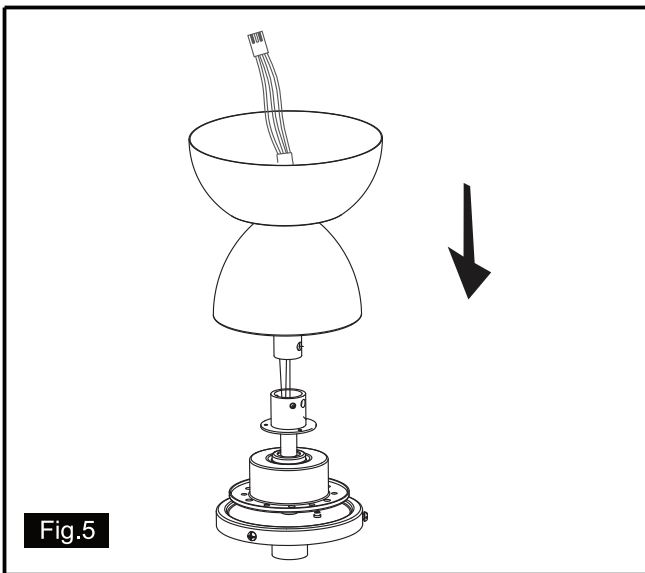
To use wood screws to fix bracket for wooden or false ceiling.



Loosen parts at the yoke of the downrod assembly.

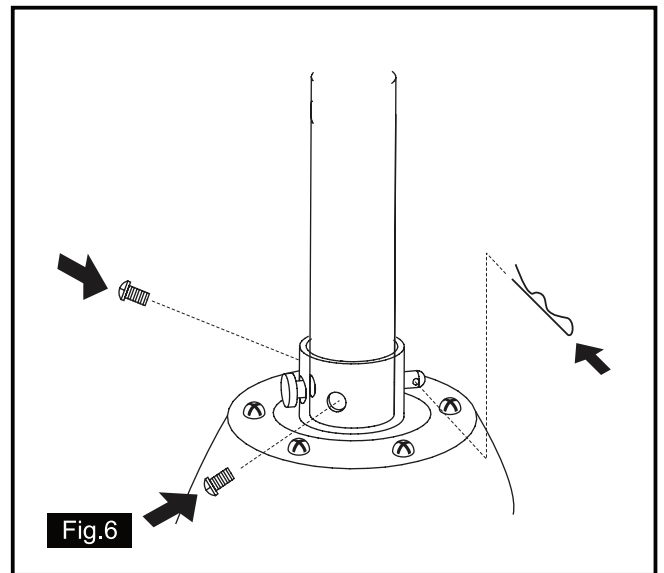


Assemble the Canopy and collar cap as shown in the figure.



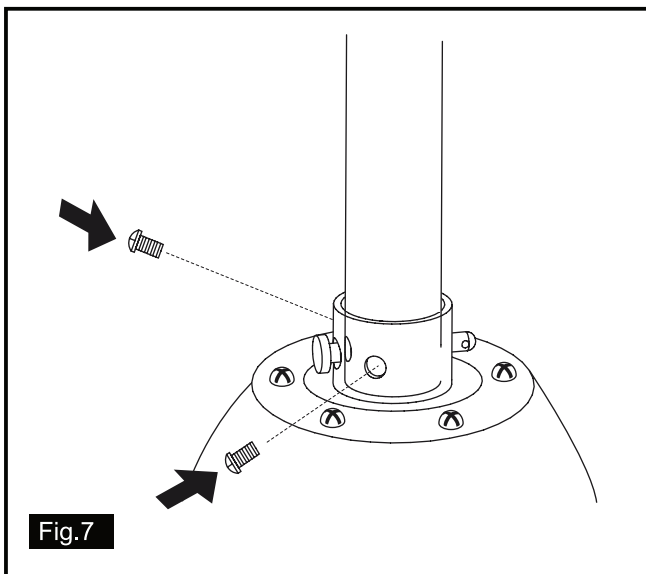
**Fig.5**

Connect the suspension part to the fan motor.



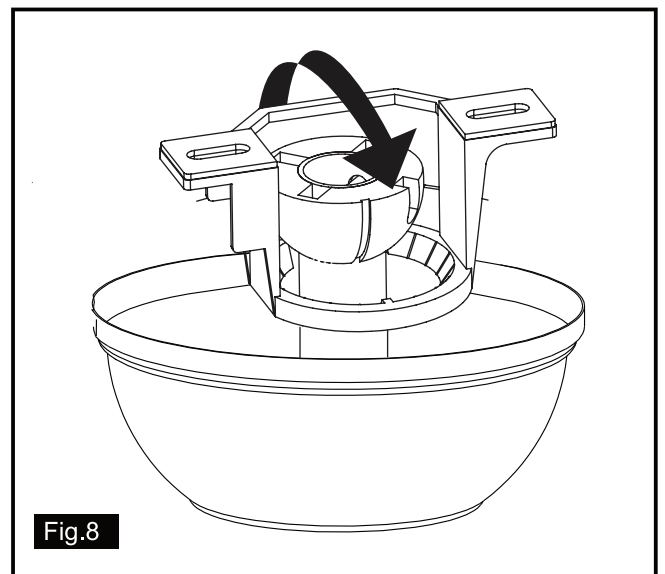
**Fig.6**

Insert the connecting bolt into the suspender and shown in the figure.



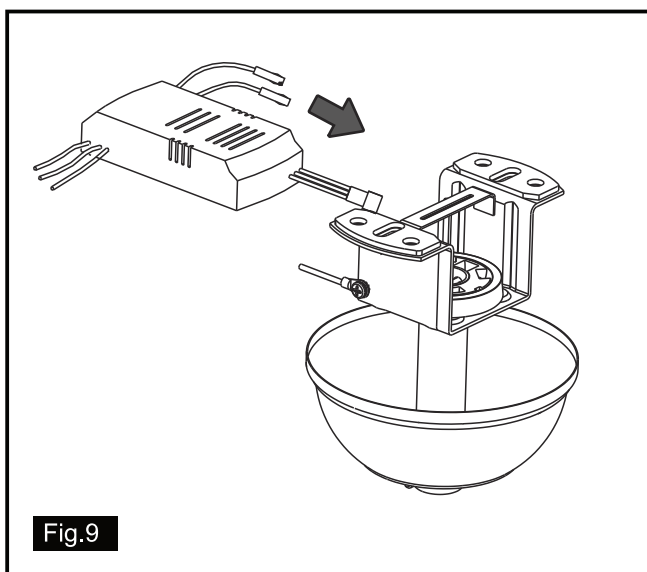
**Fig.7**

Tighten the two screws on the Coupling.



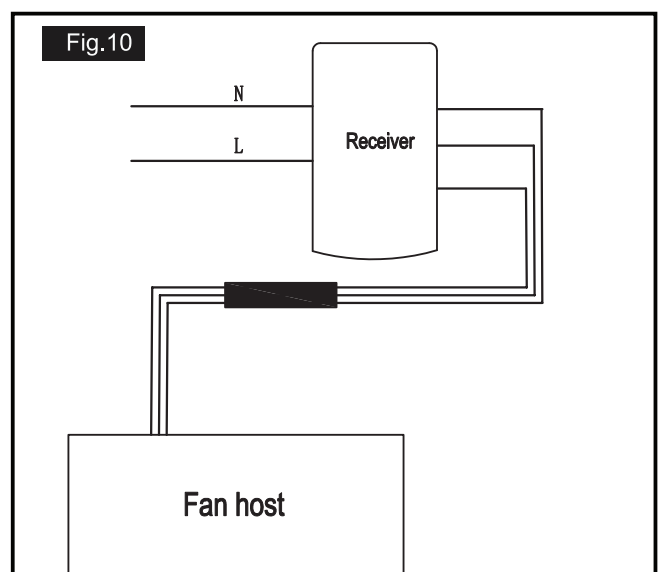
**Fig.8**

Install downrod into mounting bracket opening that already securely fastened to a structural ceiling member. The tab opposite of the mounting bracket opening should fit in slot on ball.



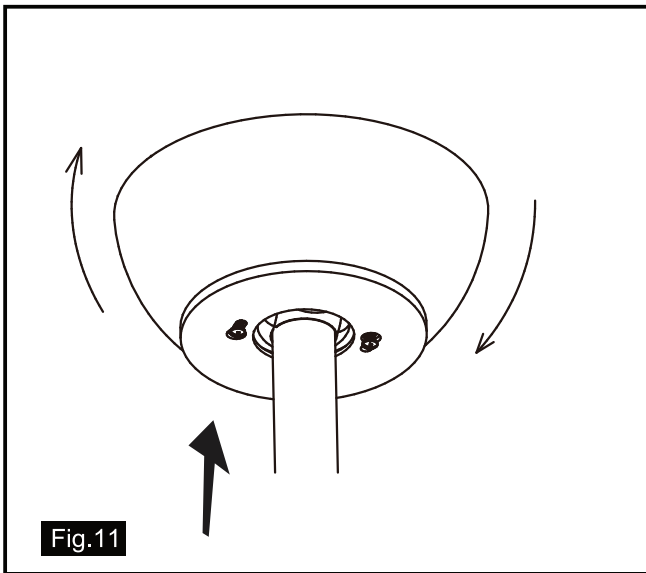
**Fig.9**

Insert the receiver into the mounting bracket .

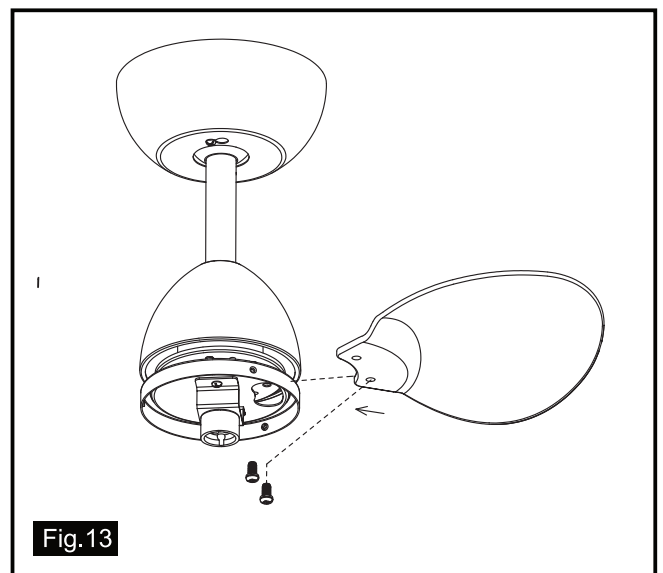


**Fig.10**

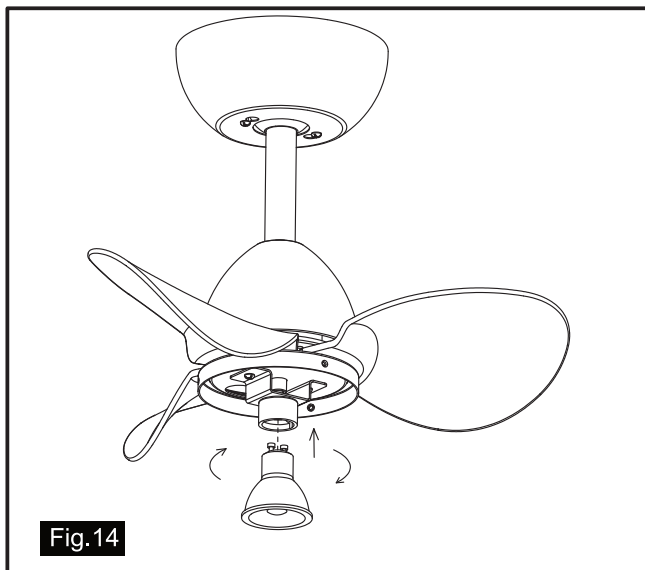
Connect the remote control according to the wiring diagram



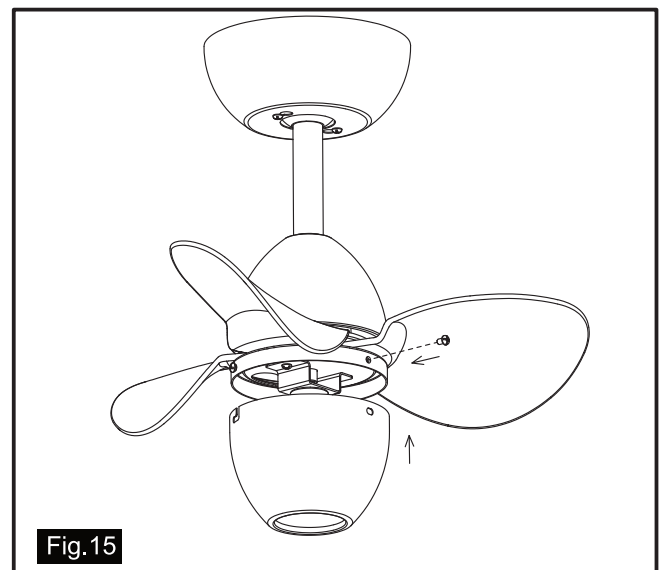
Fix the canopy on the Mounting Bracket and tighten the screws.



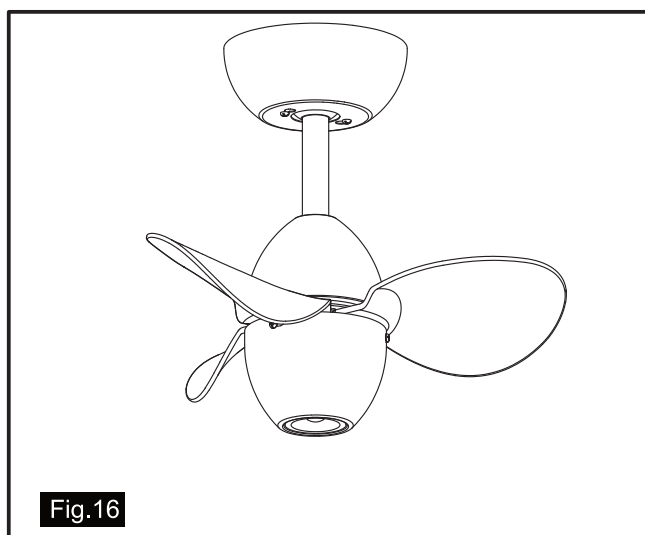
Install the assembled blade assembly on the ceiling fan host and tighten the fixed screws.



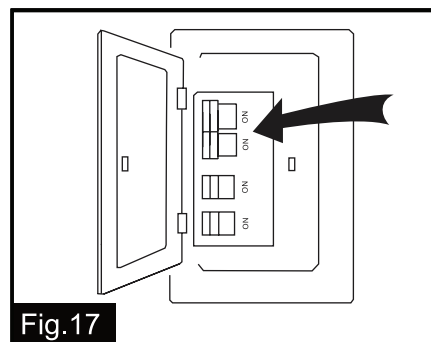
Install the GU10 bulb on the ceiling fan according to the diagram.



Install the decorative cover on the ceiling fan host and tighten the fixing screws.



Installation is completed.



Turn on the electric power at the main fuse or circuit breaker box.

# Remote control and Wiring instructions

**WIRING INSTRUCTIONS :** Before doing wiring, ensure that you have shut down the power supply!

Your fan is supplied with a radio frequency remote control unit, and the fan does not have a pull switch for speed control, the fan can only be controlled by remote control. You can find the unit in the box. Before connecting the wiring.

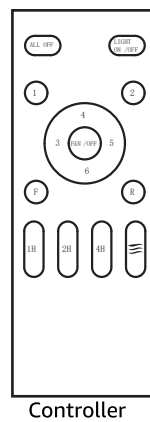
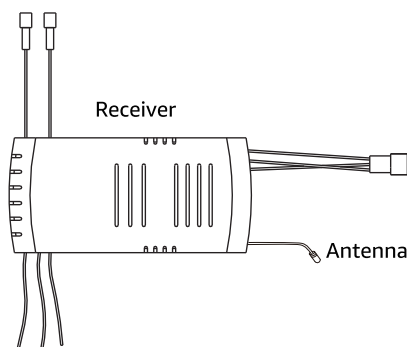
## CODING RESET

If you have multiple devices or controller matching issues, please follow the steps below to reset the codes:

1. Press and hold on the ALL OFF key more than 3s to code the receiver powered in 10s.
2. If the controller and receiver code successfully, the buzzer will ring twice.

## NOTE

An existing wall dimmer switch must be replaced with a single ON/OFF wall switch before installing a Nocolliny Fan to ensure consistent power flow from the switch to the fan. You cannot operate our ceiling fan with a wall dimmer switch.



## Power Specifications

Voltage	Fan	Lamp	Transmitter batteries
120V 60Hz 230V 50Hz	23W	GU10 (Excluding)	AAA 1.5V x2 ( included )

## Adopt RF wireless digit emission technique.

To avoid possible electrical shock be sure power supply is turned off before wiring. Risk of Fire-This product must be installed in accordance with the applicable installation code by a person familiar with the construction and operation of the product and the hazards involved. We strongly recommend that a professional electrician install all direct wire fixtures. For your safety, it is strongly recommended that two people install the ceiling fan.

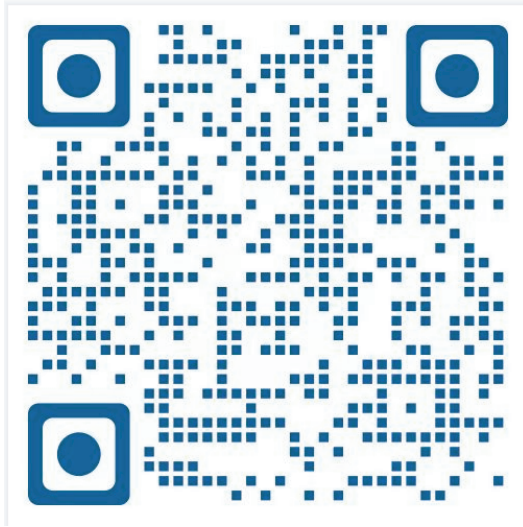
## Transmitter function keys

Key/Tecla/Touche	Function
FAN OFF	Fan OFF
1-6	Fan Speed
☰	Natural wind
ALL OFF	Light&Fan all off
LIGHT ON/OFF	Light on/off
F&R	Forward/Reverse Button
1H,2H,4H	Timer Button

## PROBLEM

## SUGGESTED REMEDY

<p>1. If fan does not start:</p>	<ol style="list-style-type: none"> <li>1. Check main and branch circuit fuses or circuit breakers.</li> <li>2. Make sure forward/reverse switch is firmly in bottom or top position. Fan will not operate when switch is in the middle.</li> <li>3. Make sure that the wall control is turned "ON".</li> <li>4. Check line wire connections to fan and switch wire connections in switch housing. CAUTION: Make sure main power is turned off.</li> </ol>
<p>2. If fan sounds noisy:</p>	<ol style="list-style-type: none"> <li>1. Make sure all screws in motor housing are snug. (not over tightened)</li> <li>2. Make sure the screws which attach the fan blade bracket to the motor are tight.</li> <li>3. Make sure wire connectors in switch housing are not rattling against each other or against the interior wall of the switch housing. CAUTION: Make sure main power is turned off before entering switch housing.</li> <li>4. If using an optional ceiling fan light kit, make sure the screws securing the glassware are finger tight. Make sure light bulb is tight in socket and not touching glass shade(s). If vibration persists from glass, remove glass and install a 1/4 in. wide rubber band on glass neck to act as an insulator. Replace glass and tighten screws against rubber band.</li> <li>5. Some fan motors are sensitive to signals from Solid State variable speed controls. DO NOT USE a Solid State variable speed control.</li> <li>6. Allow "break-in" period of 24 hours. Most noises associated with a new fan will disappear after this period.</li> </ol>
<p>3. If fan wobbles:</p>	<p>All blades are weighed and grouped by weight. Natural woods vary in density which could cause the fan to wobble even though all blades are weight-matched. The following procedures should eliminate most of the wobble. Check for wobble after each step.</p> <ol style="list-style-type: none"> <li>1. Check that all blades are screwed firmly into blade holders.</li> <li>2. Check that all blade holders are tightened securely to motor.</li> <li>3. Make sure that canopy and mounting plate are tightened securely to ceiling junction box and junction box is mounted firmly to ceiling joist.</li> <li>4. Most wobble problems of fan are caused when blades are not in equal level. To check the blade levels, select a point on the ceiling above the tip of any blade. Measure the distance from the ceiling to the blade tip, to an accuracy of 1/8 inch. Rotate the blades until the next blade is in the measuring position. Repeat measurement for each blade. If all blade levels are not equal, you can adjust blade levels by the following procedure. To adjust a blade tip down, insert a washer (not supplied) between the blade and blade bracket at the screw closest to the motor. To adjust a blade tip up, insert washer (not supplied) between the blade and blade bracket at the two screws farthest from the motor.</li> <li>5. Interchanging two adjacent blades could redistribute the weight and possibly result in smoother operation.</li> </ol>
<p>4. If light does not work:</p>	<ol style="list-style-type: none"> <li>1. Check blue wire from fan to make sure it is connected to hot wire from supply wire coming out of the ceiling.</li> <li>2. Check for loose or disconnected wires in fan switch housing.</li> <li>3. Check for loose or disconnected wires in light kit.</li> <li>4. Check for faulty light bulbs. CAUTION: Make sure main circuit is turned off before entering switch housing.</li> </ol>



light



no light

**Current range of telephone after-sales service**

**Language: English only    Country: USA and Canada**

**Customers from other countries are advised to contact us via email.**

**AFTER-SALES SERVICE Email: [all-support@depuley.com](mailto:all-support@depuley.com)**

**AFTER-SALES SERVICE TEL: (888) 985-3006 Depuley  
(888) 986-0020 DLLT**

***Mon-Fri 9am - 5pm (PST)***