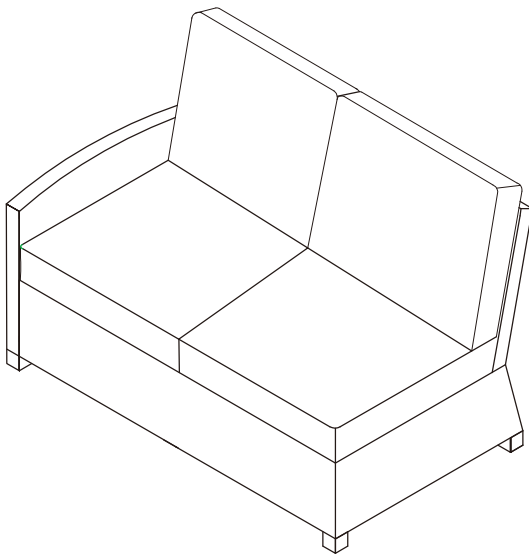
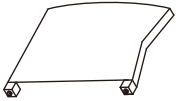

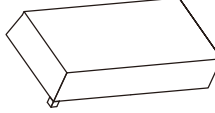


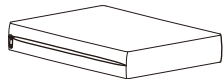



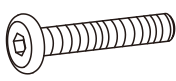
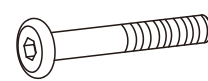



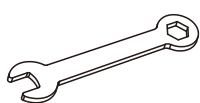
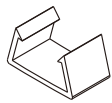
Outdoor Wicker Sectional Loveseat Left Corner



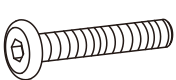
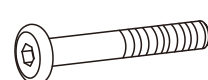


PART LIST

A 	B 	C 	D 	E 
Arm Panel 1 PC	Back Panel 1 PC	Seat Panel 1 PC	Cover Of Seat Cushion * 2 PCS	Core Of Seat Cushion 2 PCS
F 	G 	*Please note cushion covers will ship separately.		
Cover Of Back Cushion * 2 PCS	Core Of Back Cushion 2 PCS			

HARDWARE LIST

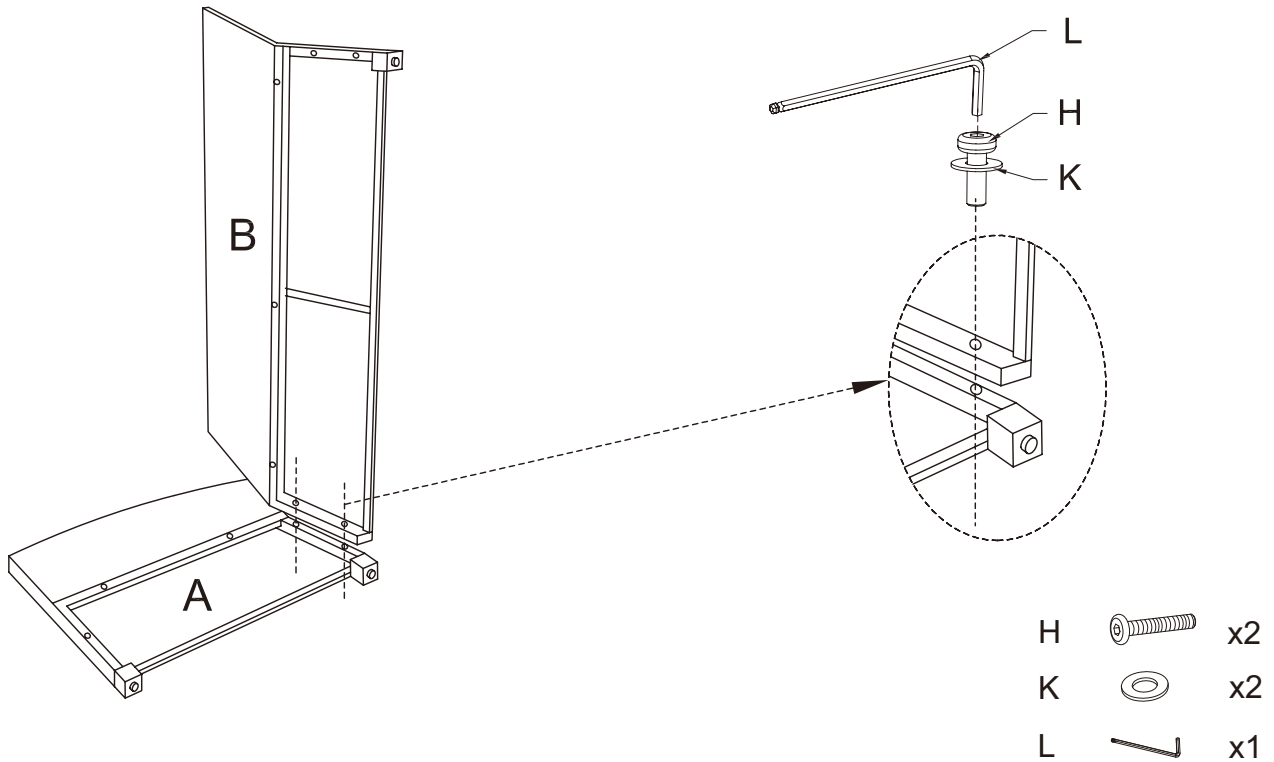
H 	I 	J 	K 	L 
M6*55mm Medium Bolt 5 PCS	M6*65mm Long Bolt 5 PCS	M6mm Nut 5 PCS	M6mm Washer 15 PCS	M6mm Allen Key 1 PC
M 	N 			
M6mm Wrench 1 PC	Plastic Clip 2 PCS			

EXTRA HARDWARE LIST

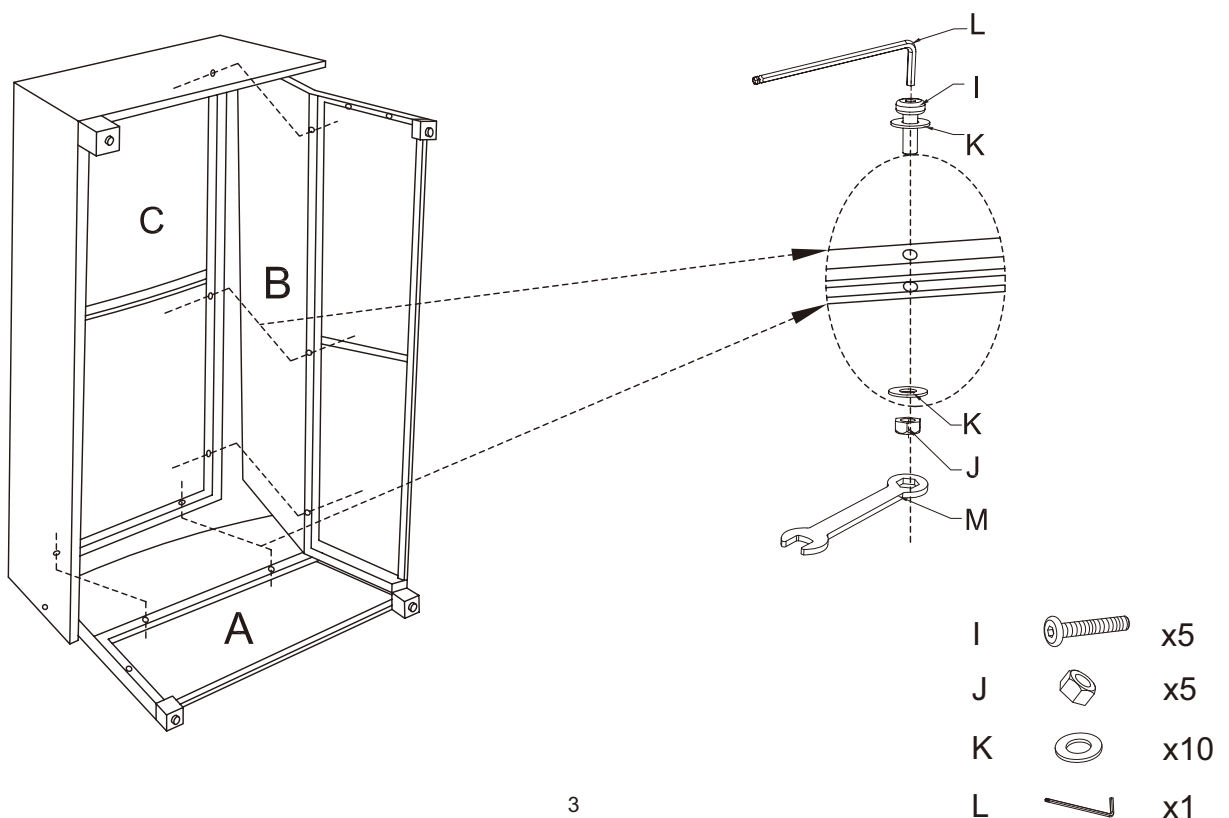
H 	I 	J 	K 
M6*55mm Medium Bo It 2 PCS	M6*65mm Long Bo It 2 PCS	M6mm Nut 2 PCS	M6mm Washer 3 PCS

Step 1. Lay Arm Panel (A) down on a flat surface. Attach Back Panel(B) to Arm Panel(A) using the Short Bolts(H), Washers(K), & Allen Key (L).

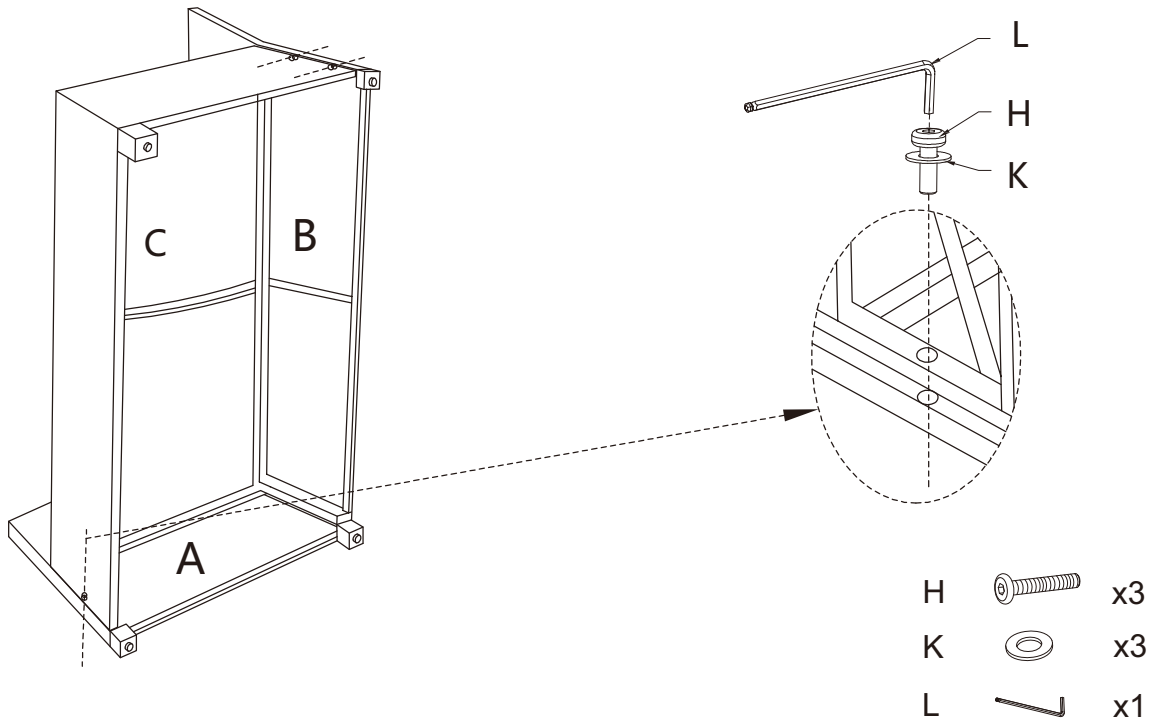
NOTE: Please do not fully tighten bolts until unit is fully assembled



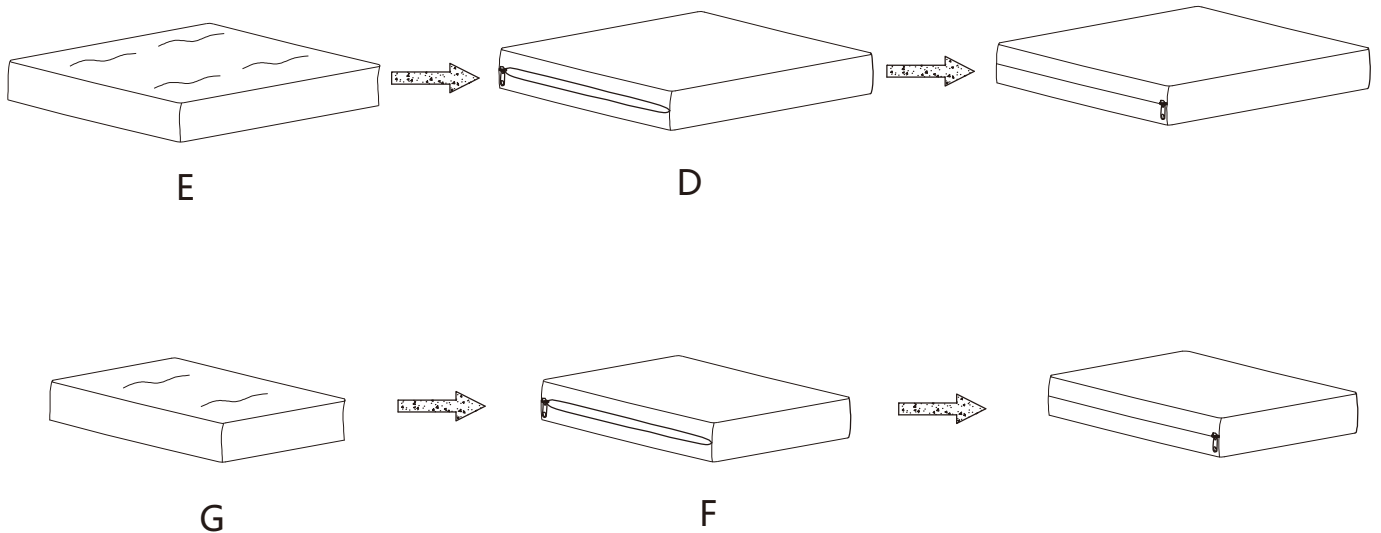
Step 2. Attach Seat Panel(C) to Arm Panel(A) and Back Panel (B) using the Long Bolts(I) Washers(K), Nuts(J), Wrench (M) & Allen Key (L).



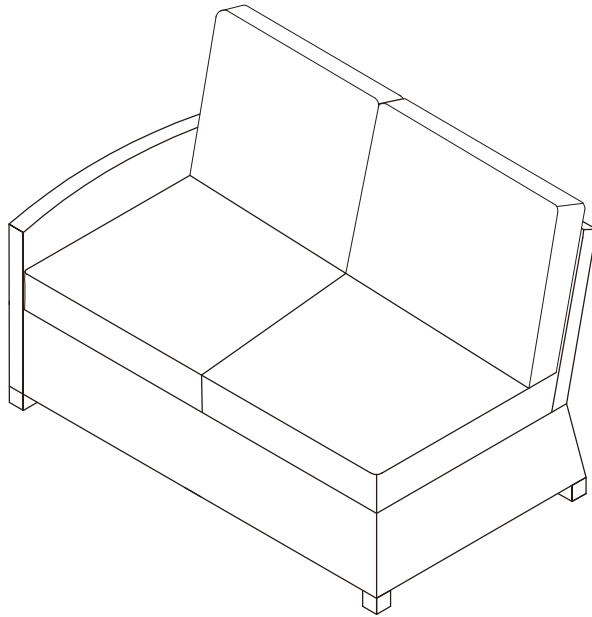
Step 3 Attach Seat Panel (C) to Arm Panel (A) and Back Panel (B) using the Short Bolts(H), Washers (K) & Allen Key (L).



Step 4 Insert Core Of Seat Cushion (E) into Cover Of Seat Cushion (D).
Insert Core Of Back Cushion (G) into Cover Of Back Cushion (F).



Step 5. Place Seat Cushion and Back Cushion on the loveseat.



Step 6. Use plastic clips (part N) to secure additional units together as shown.

