

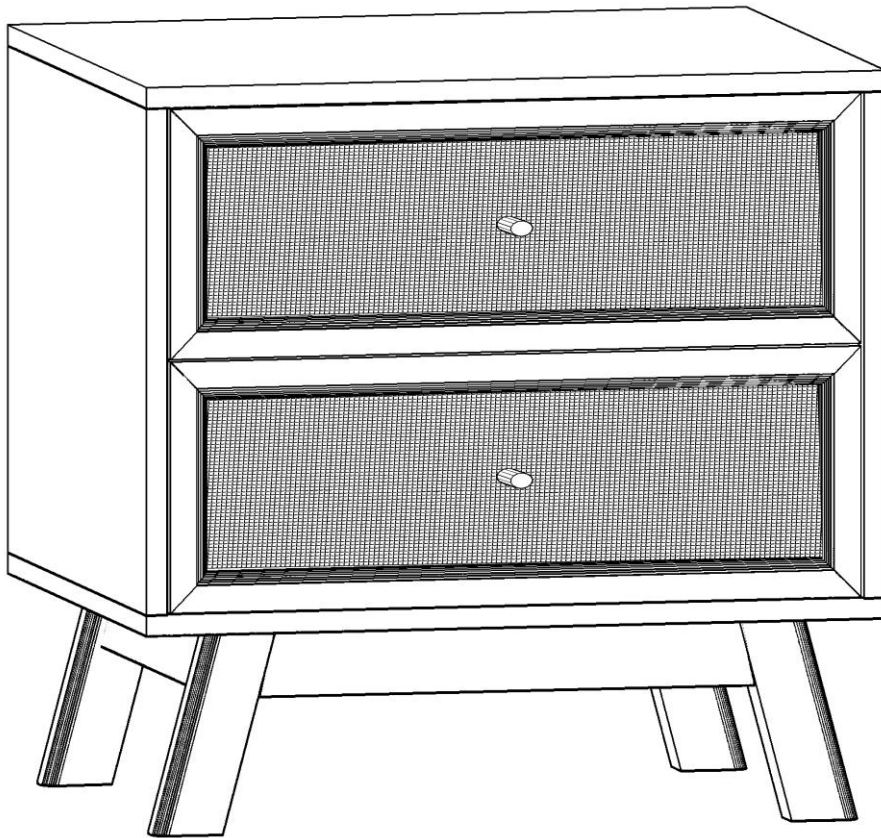
# ASSEMBLY INSTRUCTIONS



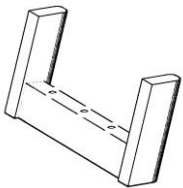
5 min



2 pers



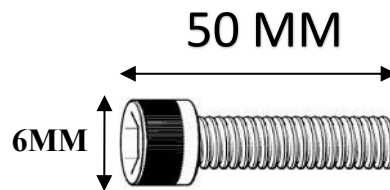
**A**



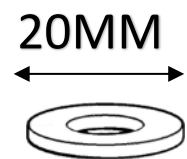
**Bx2**



**Cx1**

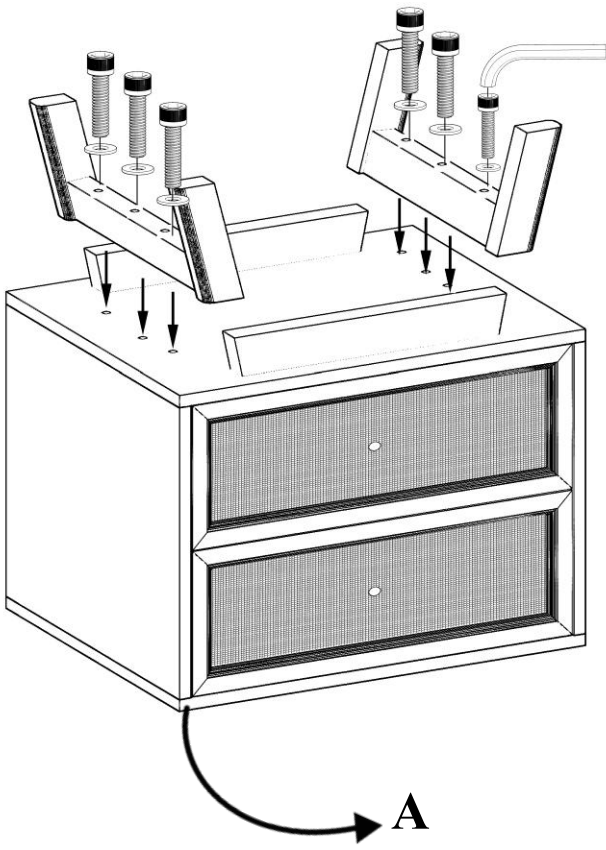


**Dx6**



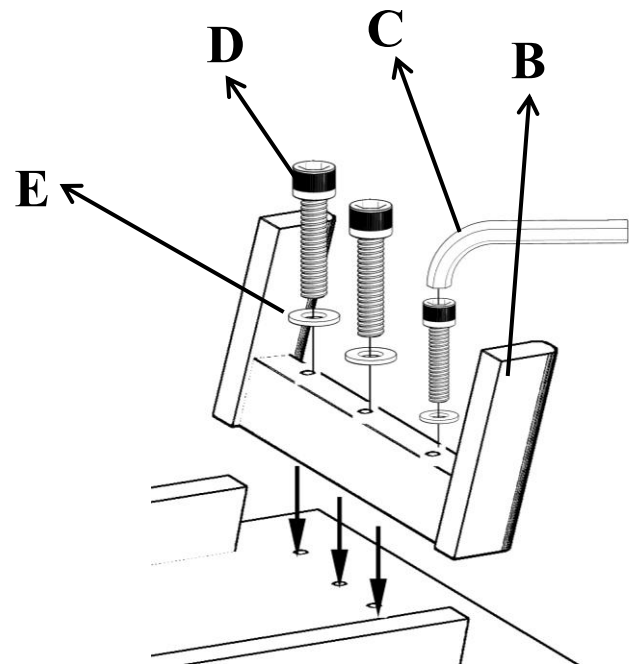
**Ex6**

1

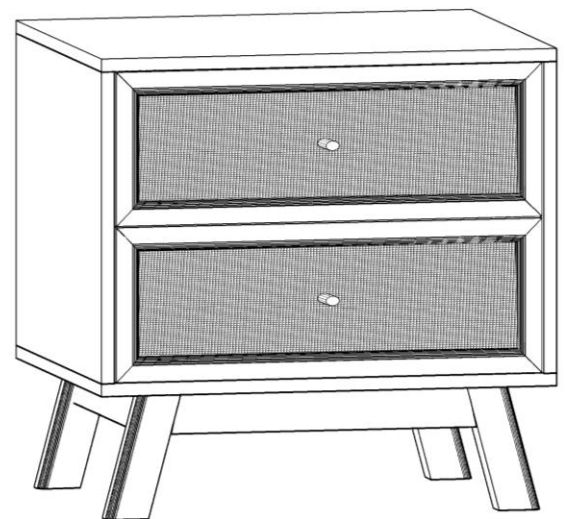
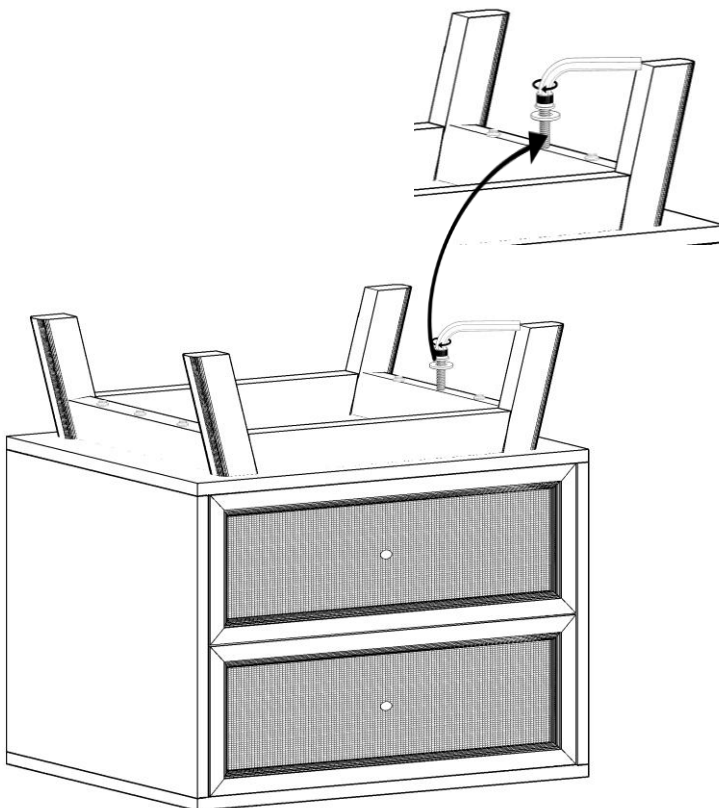


3

2



4



Now product is ready for use