

# Instruction Manual

Please save the manual for future reference.

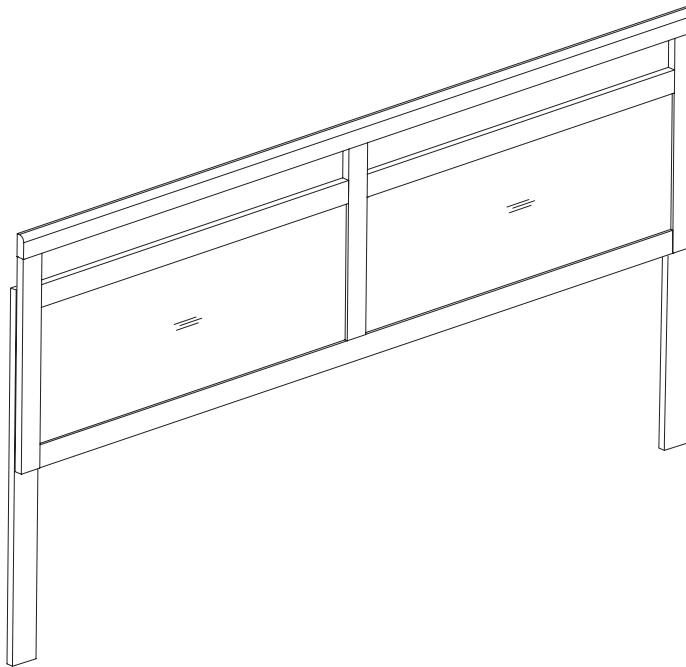
<b>Product Name:</b>	Farmhouse Double Panel Wood Headboard and Frame Set, King - Headboard Assembly
<b>SKU #:</b>	WFWHIF1884

Thank you for purchasing this product. This product has been manufactured with the highest standards of safety and quality.

## PLEASE READ ALL INSTRUCTION CAREFULLY BEFORE ASSEMBLY:





Unpack all parts from the packaging inside the carton to ensure there are no missing or damaged parts. Place all wooden furniture part on a clean and fat soft surface to prevent scratches. Please all wooden furniture parts on a clean, flat, soft surface to the prevent scratches. Refer to the step provided below for assembly.

Do not attempt to assemble or use the product if any parts are missing or damaged.



## CARTON CONTENTS:

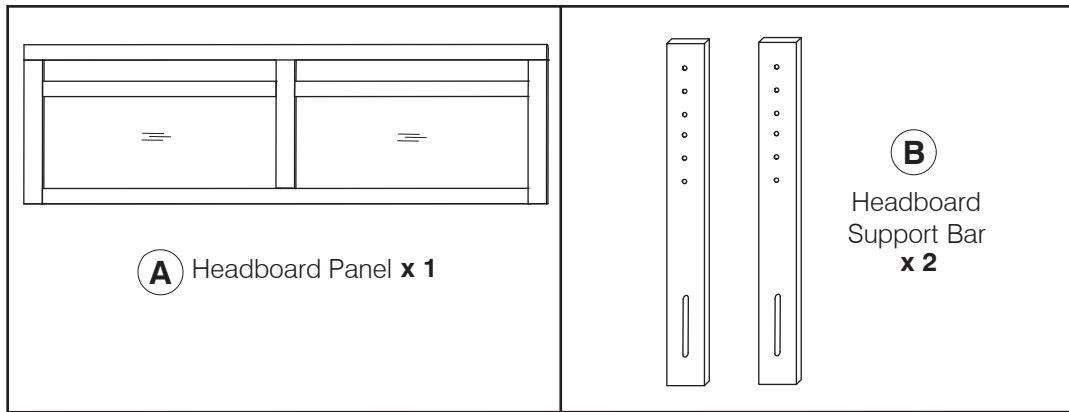
Hardware:

 <b>1</b> M6 x 35mm JCB x 10	 <b>2</b> Spring Washer x 10	 <b>3</b> Flat Washer x 10	 <b>4</b> Allen Key x 1
-----------------------------------------------------------------------------------------------------------------------	-----------------------------------------------------------------------------------------------------------------------	---------------------------------------------------------------------------------------------------------------------	--------------------------------------------------------------------------------------------------------------------

**Instruction Manual**  
Please save the manual for  
future reference.

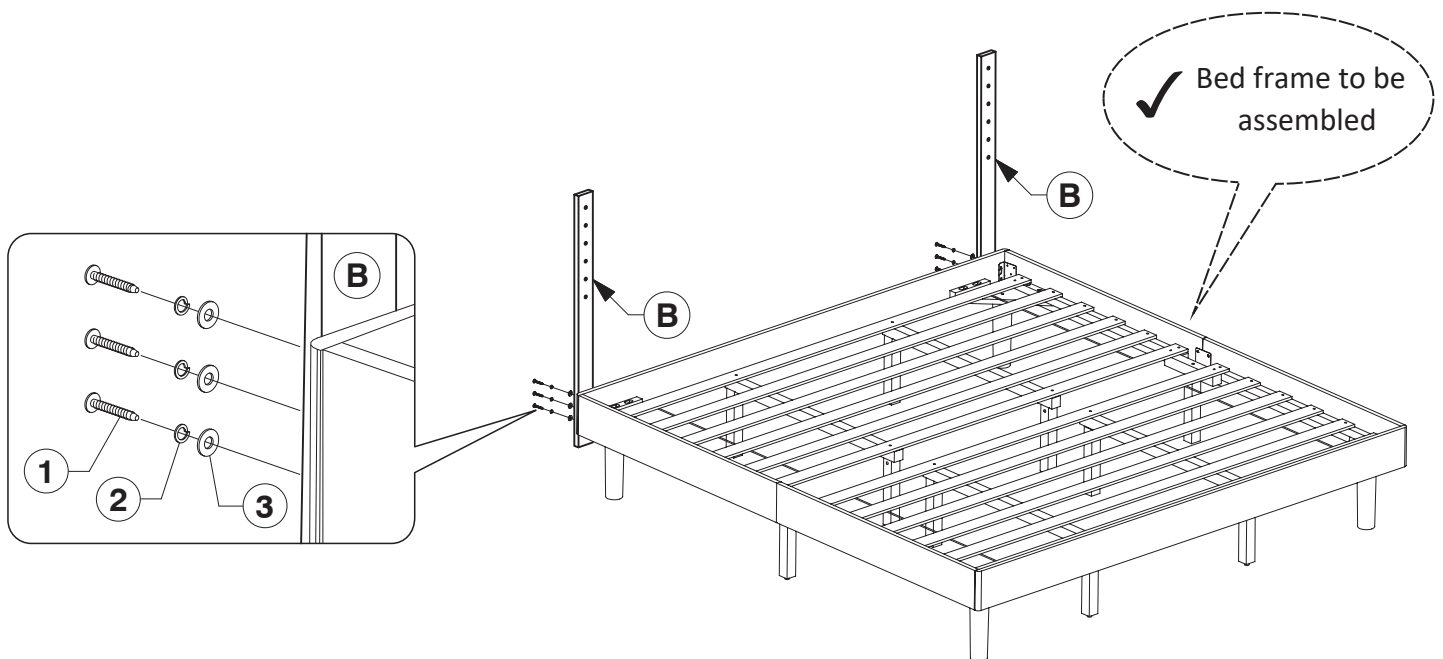
<b>Product Name:</b>	Farmhouse Double Panel Wood Headboard and Frame Set, King
<b>SKU #:</b>	WFWHIF1884

Panels:



Assembly:

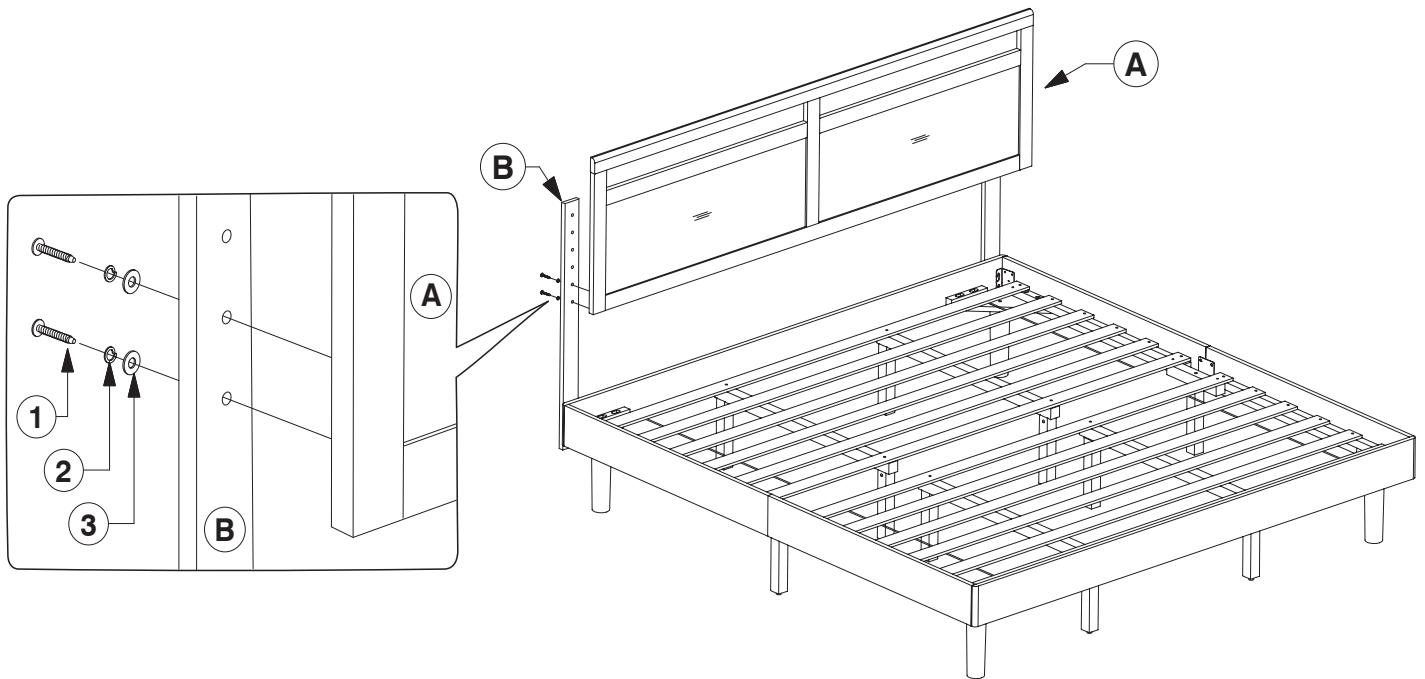
**Step 1:** Assemble the Support Bars (B) to the Headboard Panel.



**Instruction Manual**  
*Please save the manual for  
future reference.*

<b>Product Name:</b>	Farmhouse Double Panel Wood Headboard and Frame Set, King
<b>SKU #:</b>	WFWHIF1884

**Step 2:** Assemble the Headboard Panel (A) to the Support Bars (B).



# Instruction Manual

Please save the manual for future reference.

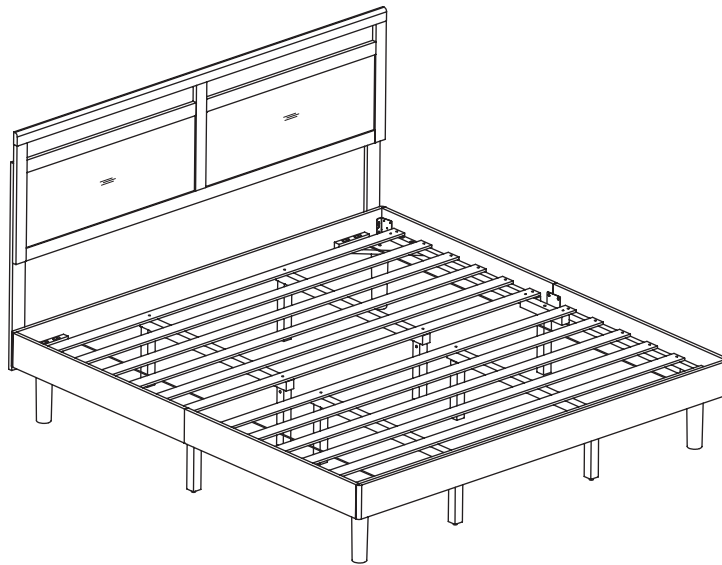
<b>Product Name:</b>	Farmhouse Double Panel Wood Headboard and Frame Set, King - Bed Frame Assembly
<b>SKU #:</b>	WFWHIF1884

Thank you for purchasing this product. This product has been manufactured with the highest standards of safety and quality.

## PLEASE READ ALL INSTRUCTION CAREFULLY BEFORE ASSEMBLY:


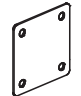
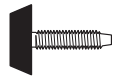

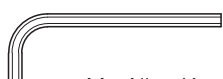





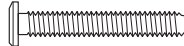






Unpack all parts from the packaging inside the carton to ensure there are no missing or damaged parts. Place all wooden furniture part on a clean and fat soft surface to prevent scratches. Please all wo0den furniture parts on a clean, flat, soft surface to the prevent scratches. Refer to the step provided below for assembly.

Do not attempt to assemble or use the product if any parts are missing or damaged.



## CARTON CONTENTS:

Hardware:

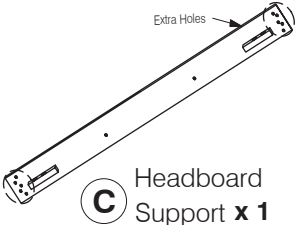


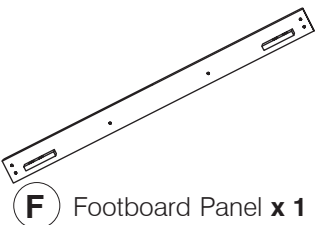
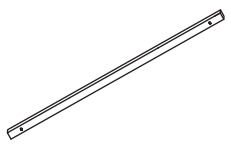

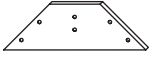
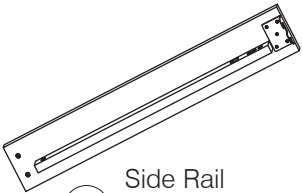
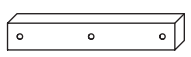
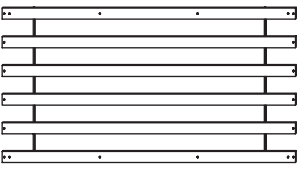
 <b>1</b> M4 Allen Key x 1	 <b>2</b> Metal Plate x 2	 <b>3</b> Adjustable Foot x 10	 <b>4</b> Wood Screw (M4 x 32mm) x 16
 <b>5</b> M5 Allen Key x 1	 <b>6</b> Barrel Nut x 10	 <b>7</b> Spring Washer x 24	 <b>8</b> M6 Flat Washer x 36
 <b>9</b> M6 JCN Nut x 4	 <b>10</b> M8 Flat Washer x 4	 <b>11</b> M8 x 50mm JCB x 8	 <b>12</b> M6 x 15mm JCB x 8
 <b>13</b> M6 x 20mm JCB x 8	 <b>14</b> M6 x 40mm JCB x 8	 <b>15</b> M6 x 50mm JCB x 20	 <b>16</b> M6 x 90mm JCB x 2
 <b>17</b> M6 x 100mm JCB x 8			

**Instruction Manual**  
Please save the manual for  
future reference.

<b>Product Name:</b>	Farmhouse Double Panel Wood Headboard and Frame Set, King
<b>SKU #:</b>	WFWHIF1884

**Part List**

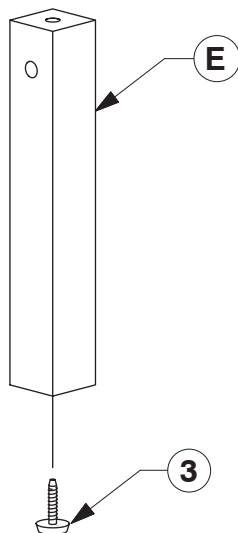
Parts in Box :

 <p><b>C</b> Headboard Support <b>x 1</b></p> <p>Extra Holes</p>	 <p><b>D</b> Post <b>x 4</b></p>	 <p><b>E</b> Support Leg <b>x 10</b></p>	 <p><b>F</b> Footboard Panel <b>x 1</b></p>
 <p><b>G</b> Long Support <b>x 4</b></p>	 <p><b>H</b> Side Rail (Left Hand) <b>x 2</b></p>	 <p><b>J</b> Support Panel <b>x 4</b></p>	 <p><b>K</b> Side Rail (Right Hand) <b>x 2</b></p>
 <p><b>L</b> Support Bar <b>x 2</b></p>	 <p><b>M</b> Set of Bed Slats <b>x 2</b></p>		

Assembly:

**Step 1:** Fit the Adjustable Foot to the bottom of the Support Leg (E).

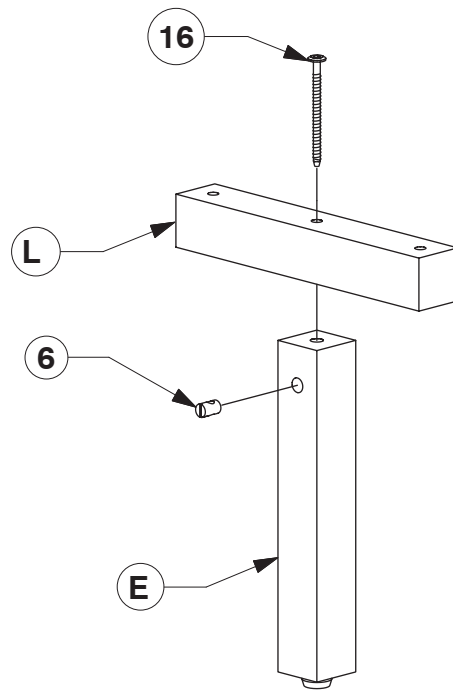
**x10**



<b>Product Name:</b>	Farmhouse Double Panel Wood Headboard and Frame Set, King
<b>SKU #:</b>	WFWHIF1884

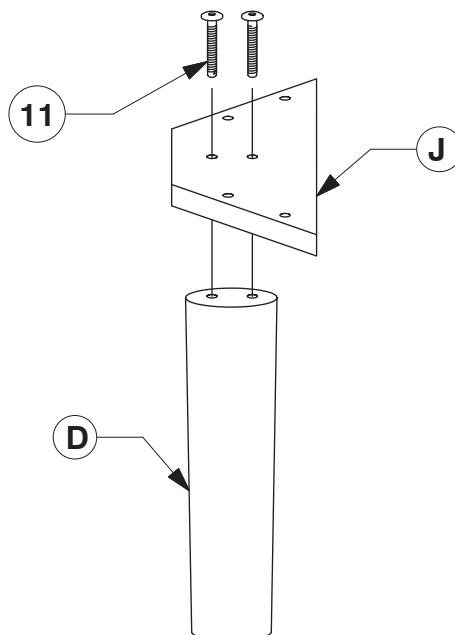
**Step 2:** Fit the Support Bar (L) to the Support Leg (G).

x2



**Step 3:** Fit the Post (D) to the Support Panel (J).

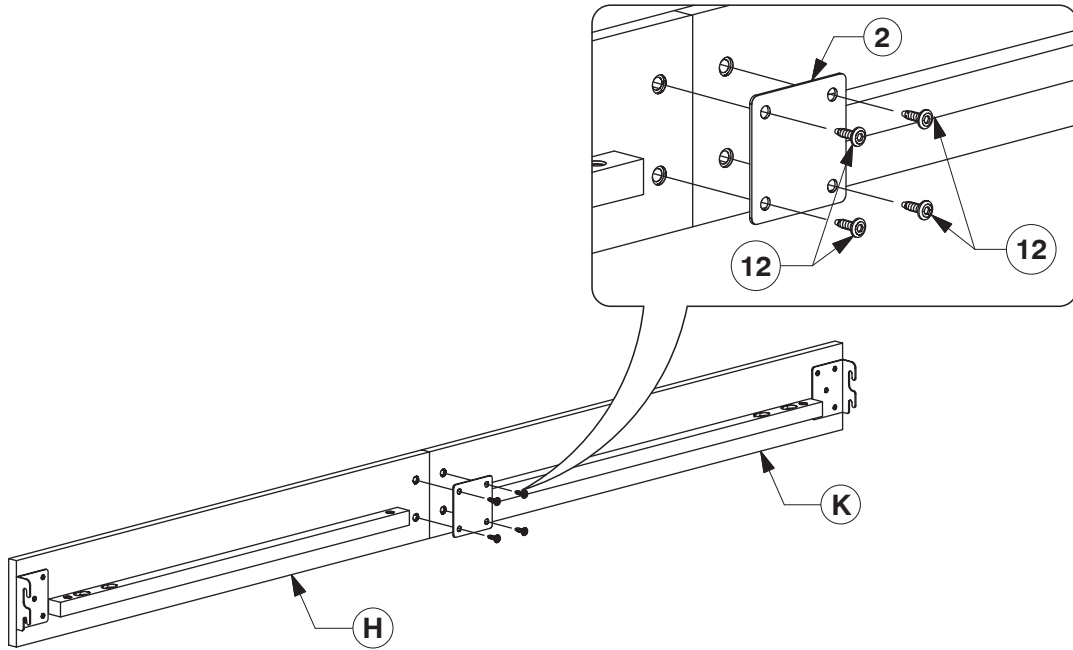
x4



<b>Product Name:</b>	Farmhouse Double Panel Wood Headboard and Frame Set, King
<b>SKU #:</b>	WFWHIF1884

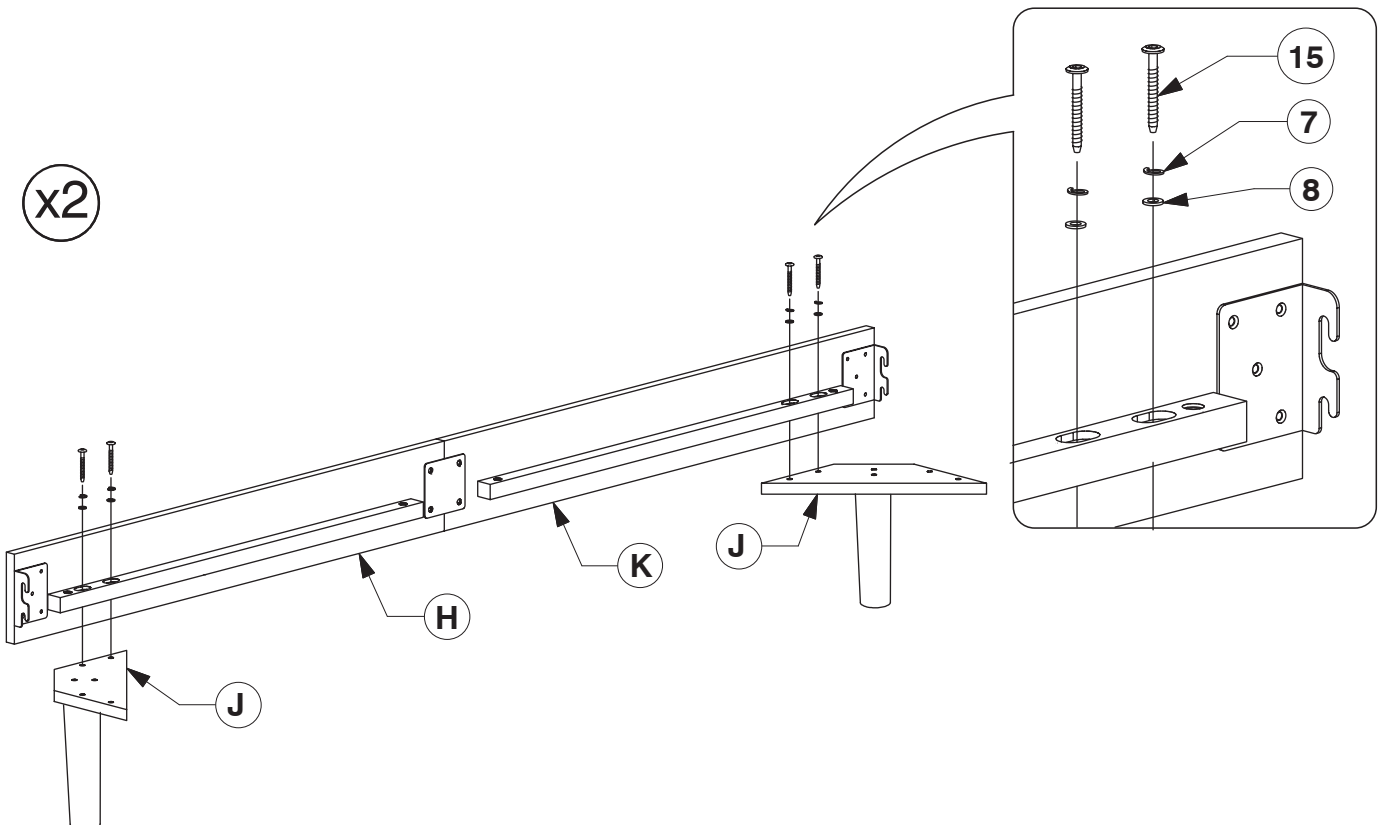
**Step 4:** Fit the Metal Plate (2) to the Side Rail (H & K).

x2



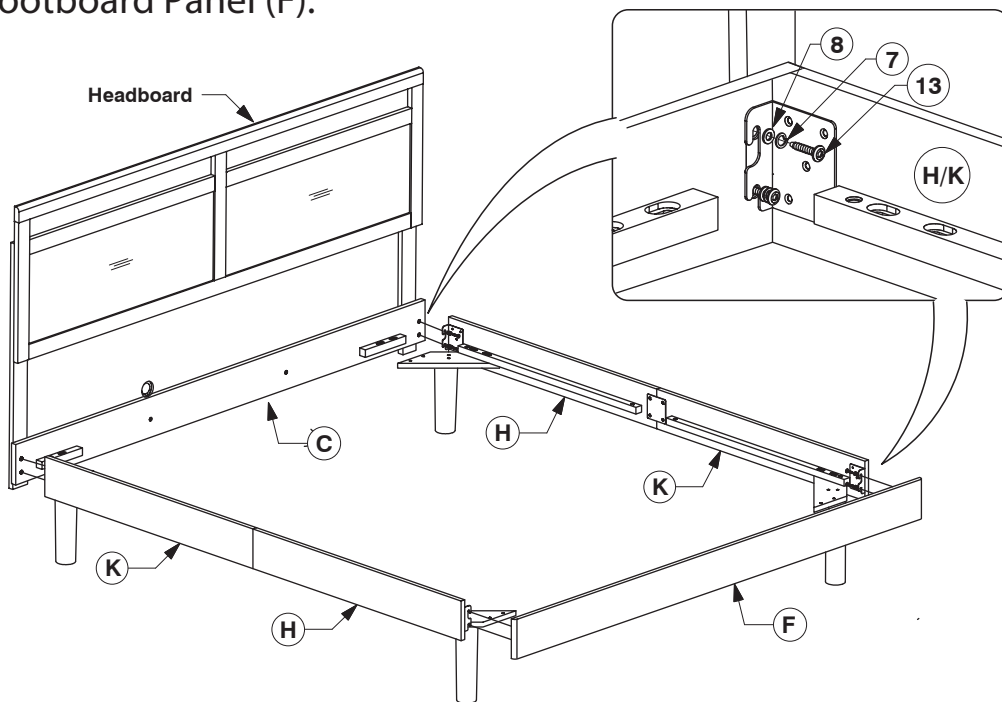
**Step 5:** Assemble the Side Rail (H & K) to the Support Panel (J).

x2

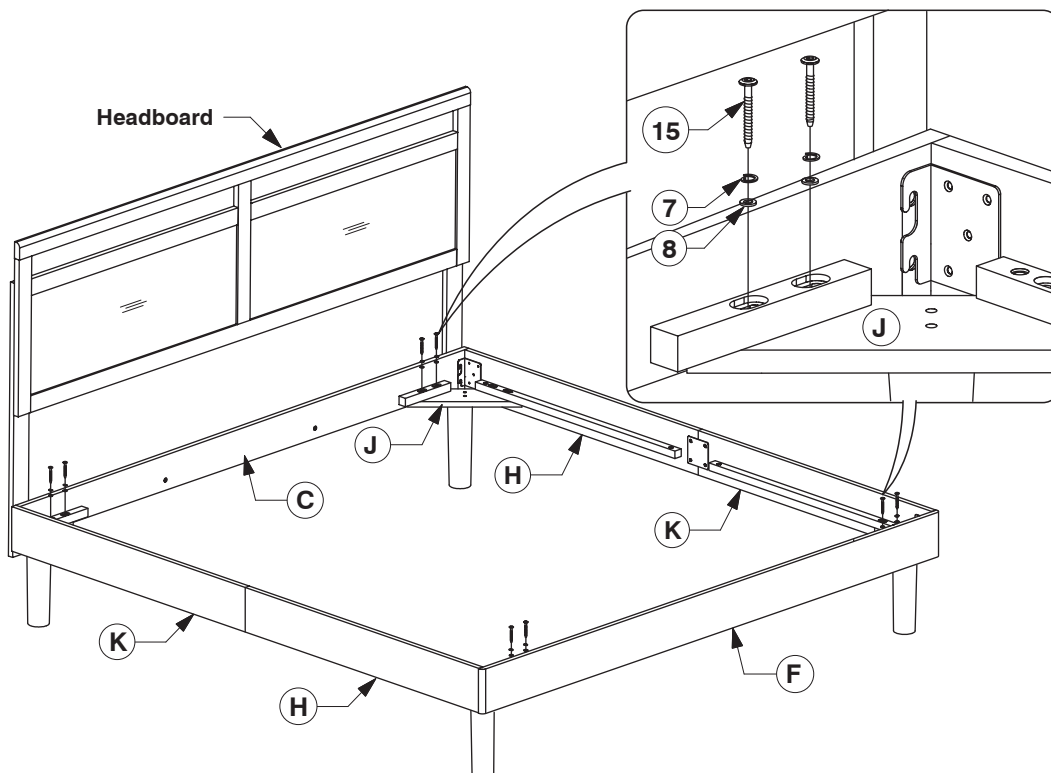


<b>Product Name:</b>	Farmhouse Double Panel Wood Headboard and Frame Set, King
<b>SKU #:</b>	WFWHIF1884

**Step 6:** Assemble the Side Rail (H & K) to the Headboard Support (C) & Footboard Panel (F).

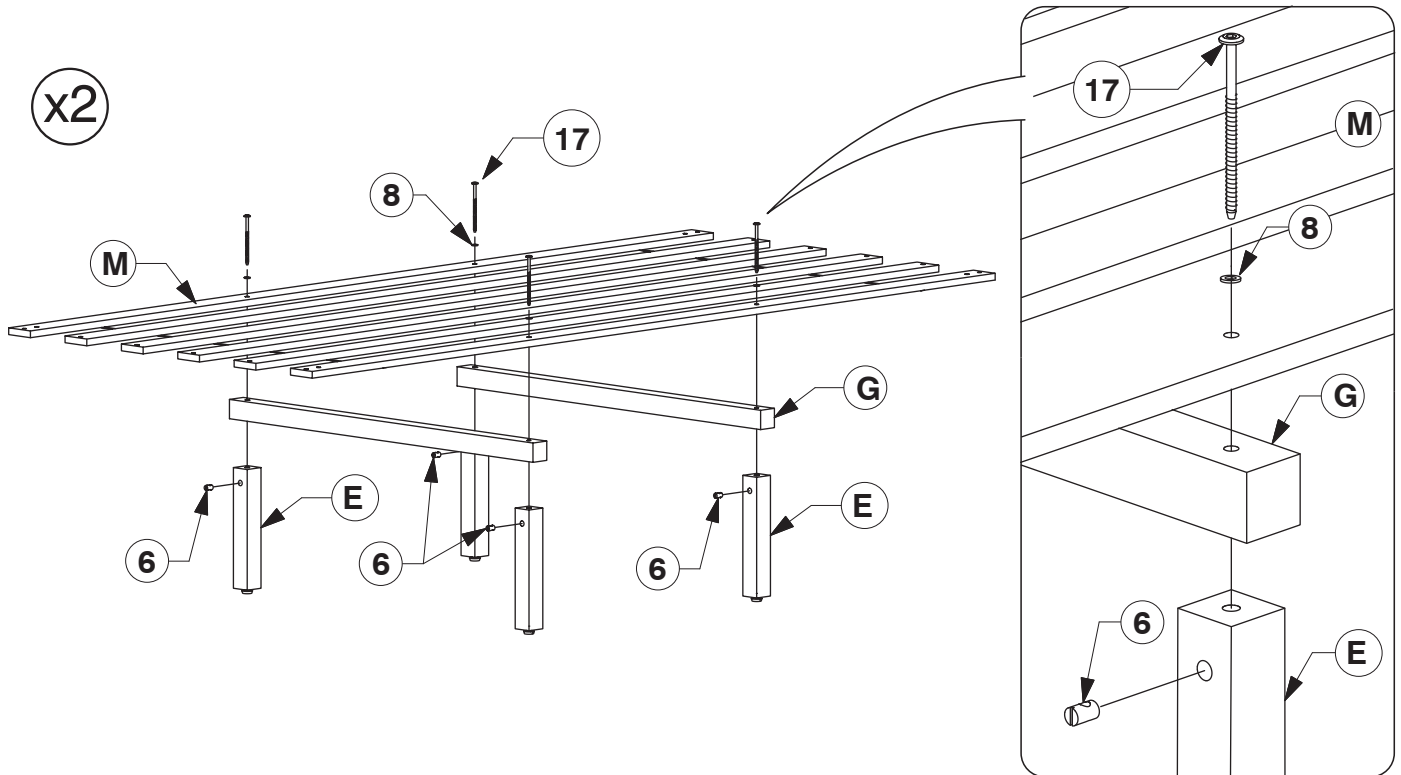


**Step 7:** Bolt the Support Panel (J) to the Headboard Support (C) & Footboard Panel (F).

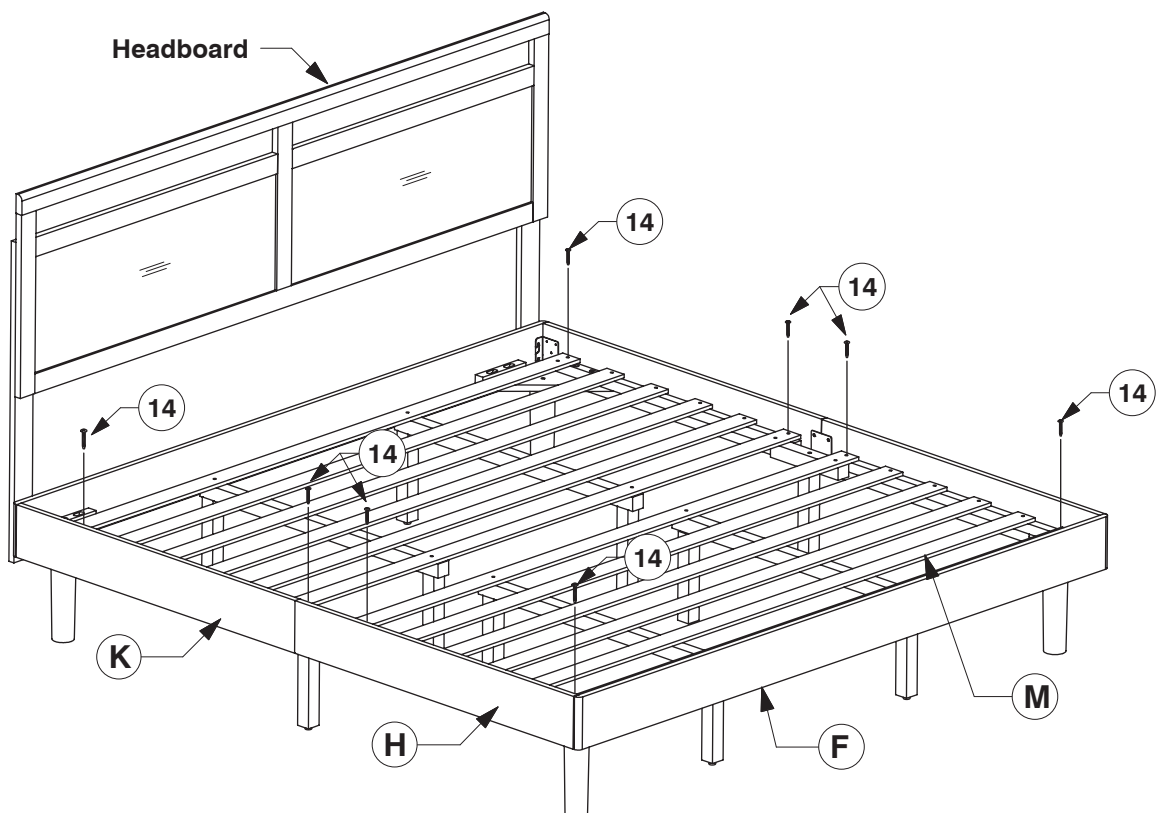


<b>Product Name:</b>	Farmhouse Double Panel Wood Headboard and Frame Set, King
<b>SKU #:</b>	WFWHIF1884

**Step 8:** Fit the Slats (M) to the Long Support (G) & Support Leg (E).

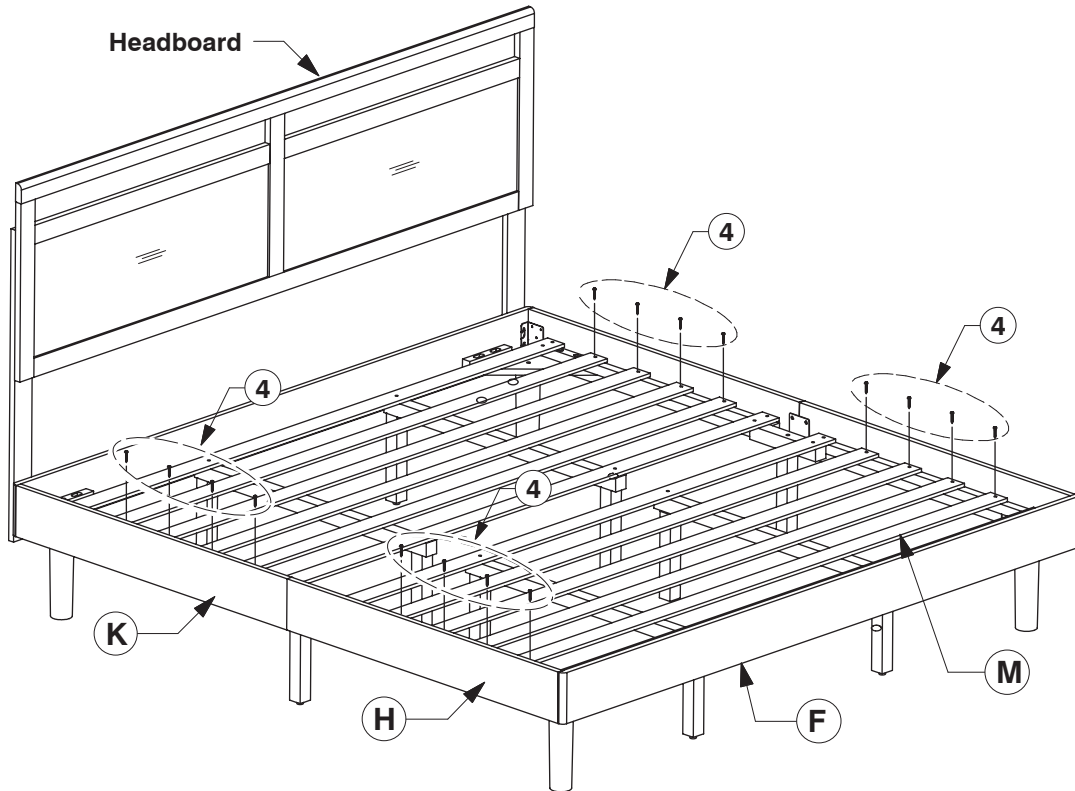


**Step 9:** Bolt the Bed Slats (M) to the Side Rail (H & K).



<b>Product Name:</b>	Farmhouse Double Panel Wood Headboard and Frame Set, King
<b>SKU #:</b>	WFWHIF1884

**Step 10:** Screw the Bed Slats (M) to the Side Rail (H & K).



**Step 11:** Lastly, fit the Support Bar (L) in place.

