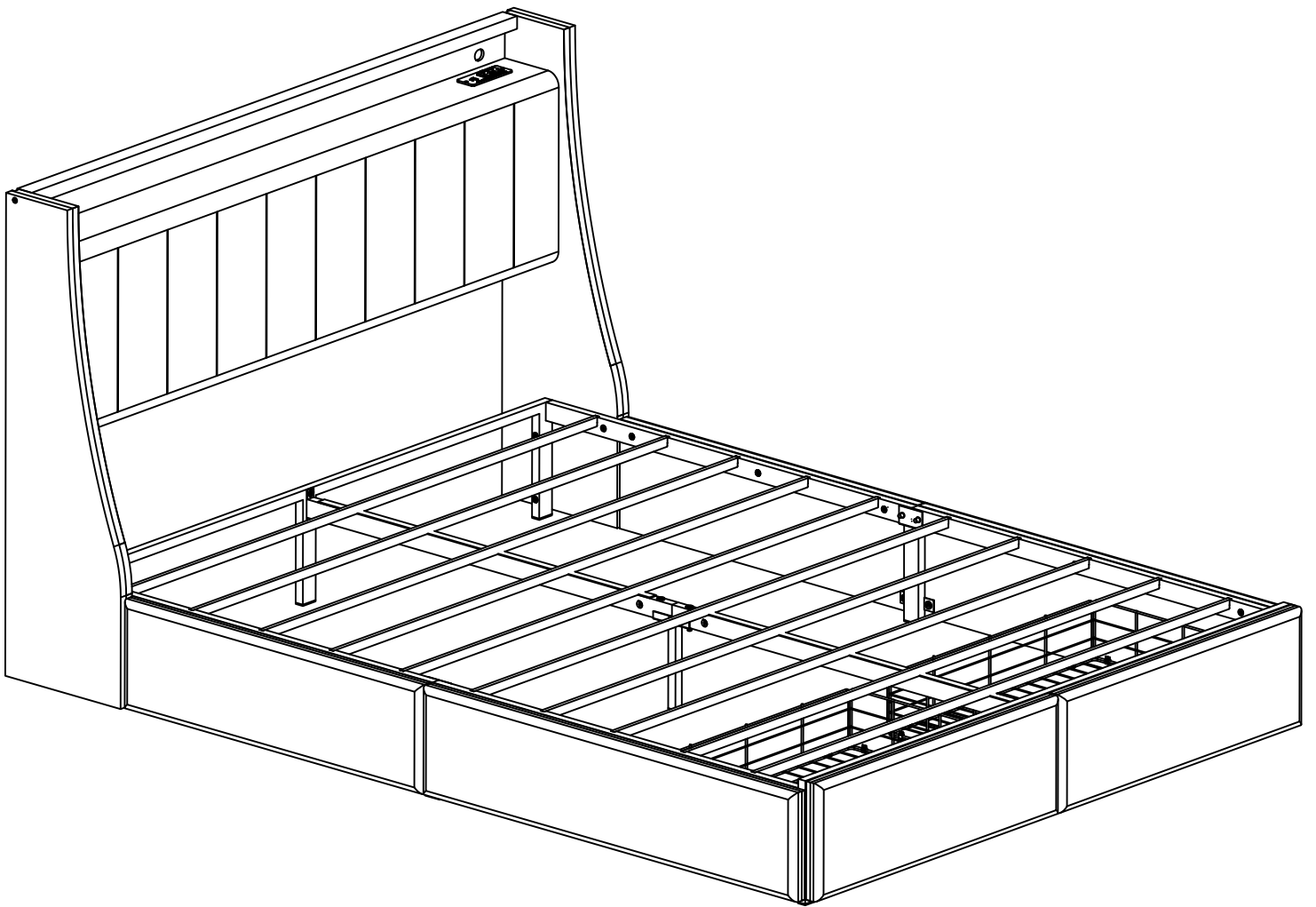
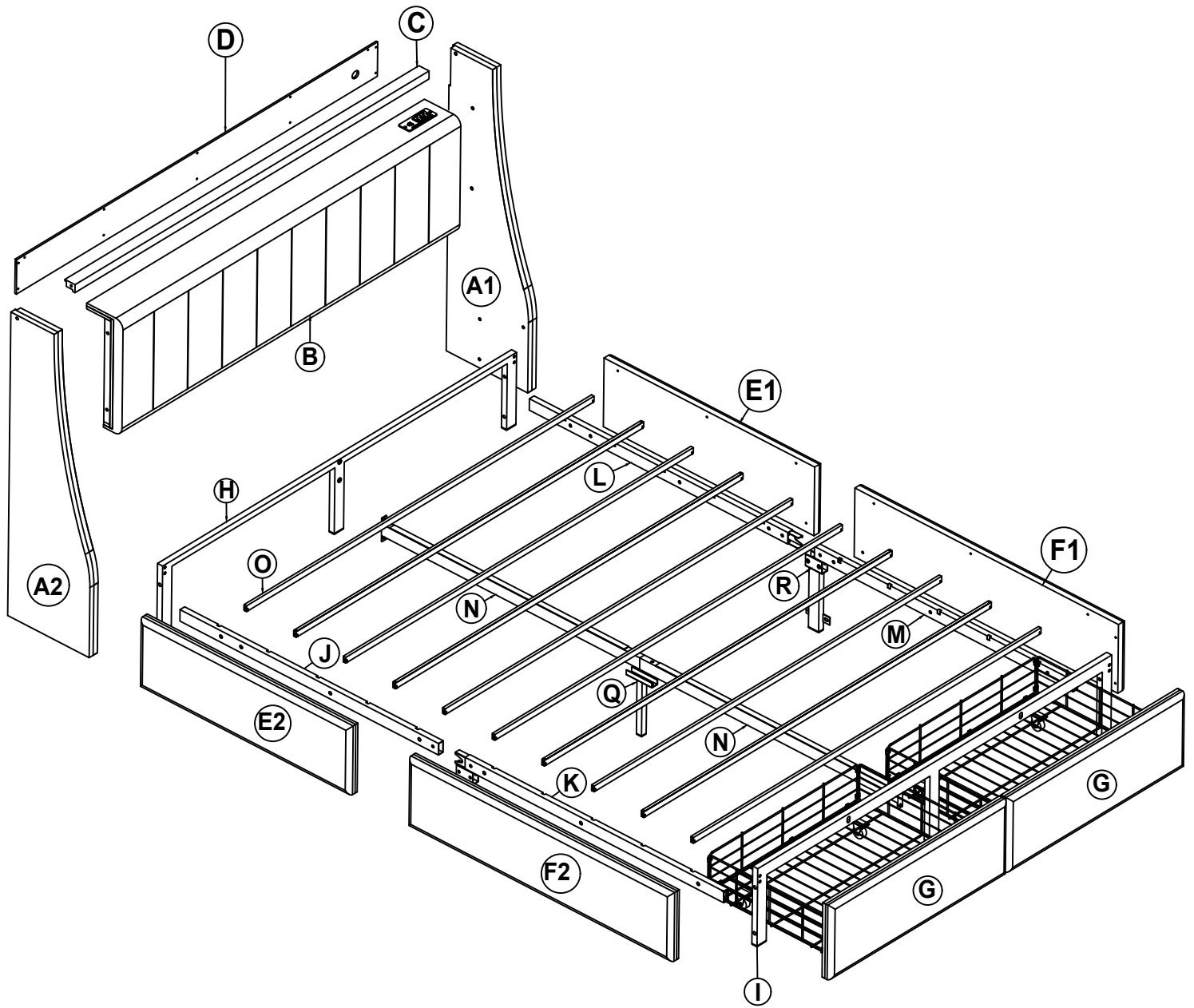
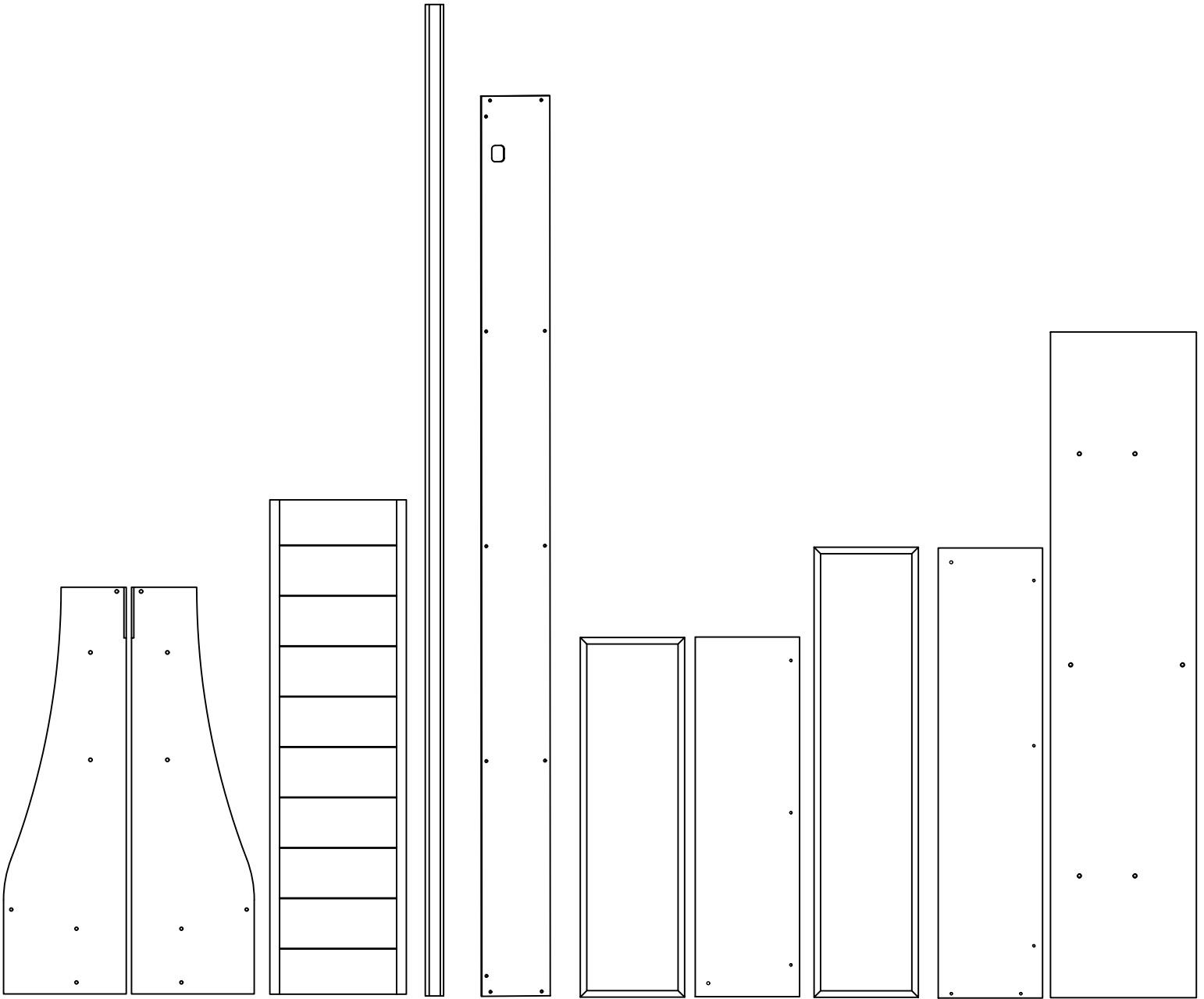


Installation & Assembly





Parts List:



(A2)

1pcs

(A1)

1pcs

(B)

1pcs

(C)

1pcs

(D)

1pcs

(E1)

1pcs

(E2)

1pcs

(F1)

1pcs

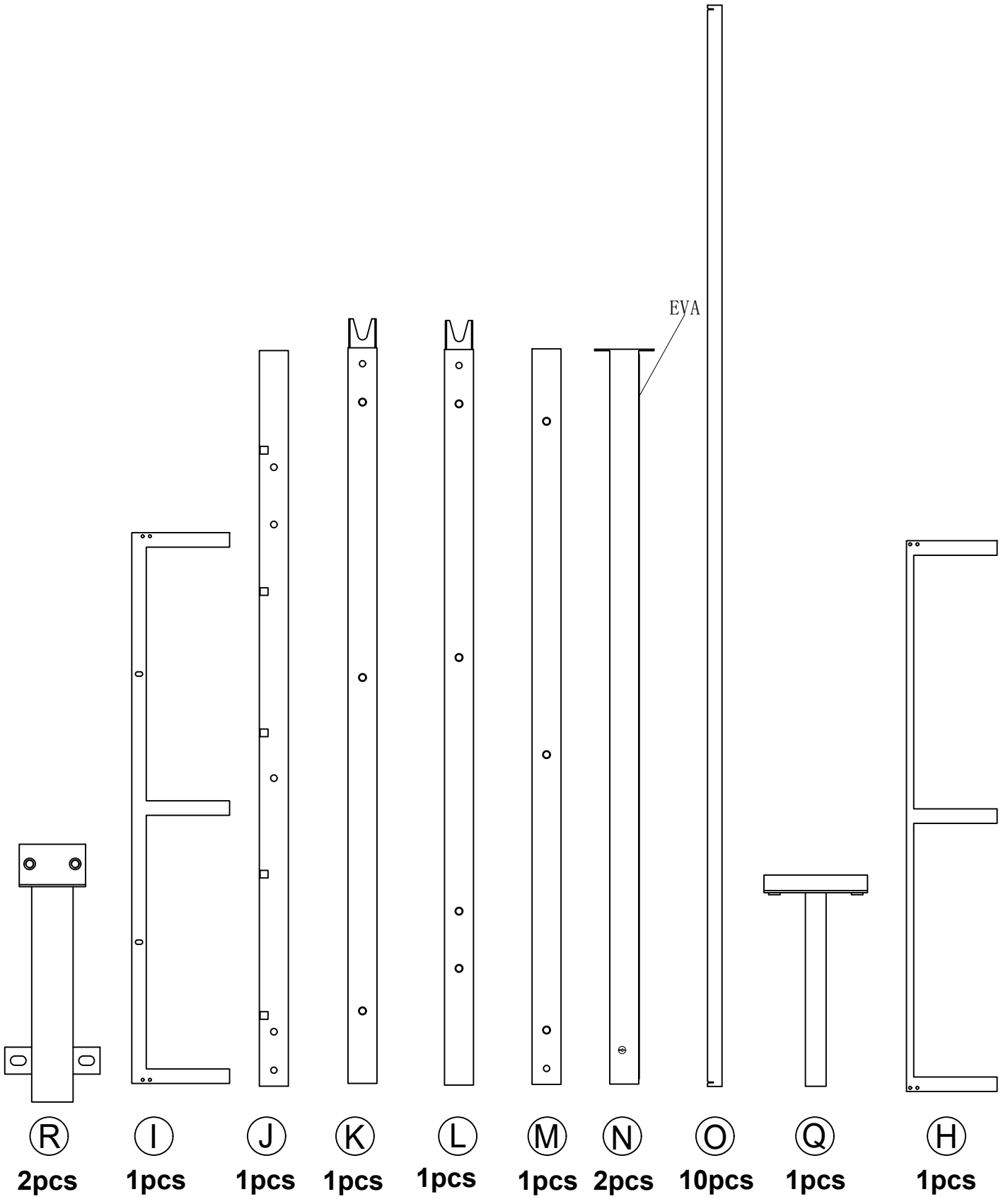
(F2)

1pcs

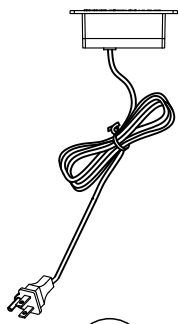
(G)

2pcs

Parts List:



Parts List:



U3

1pcs



U1

1pcs



W

1pcs



washer Ø6xØ18mm

X

2pcs



M4x15mm

V

14pcs



M6x15mm

T1

14pcs



M6x30mm

T2

12pcs



M6x40mm

T3

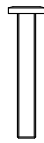
4pcs



M6x45mm

T4

4pcs



M6x50mm

T5

8pcs



M8x35mm

Y1

12pcs



M8x55mm

Y2

2pcs



M8x15mm

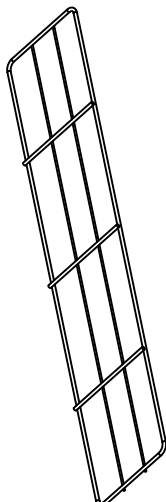
Y3

4pcs



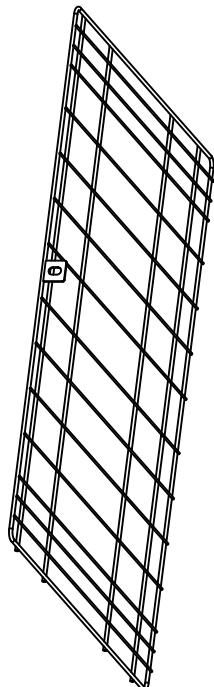
Z2

4pcs



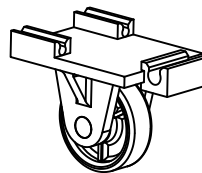
Z3

2pcs



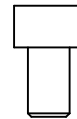
Z4

2pcs



Z5

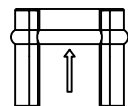
8pcs



M6x10mm

Z8

2pcs

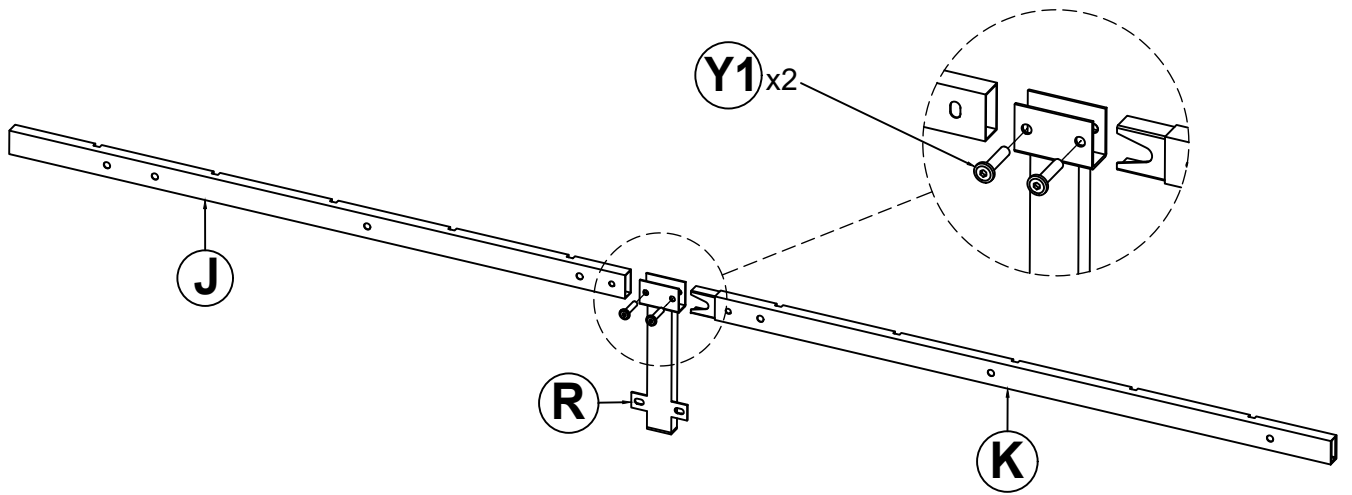


Q1

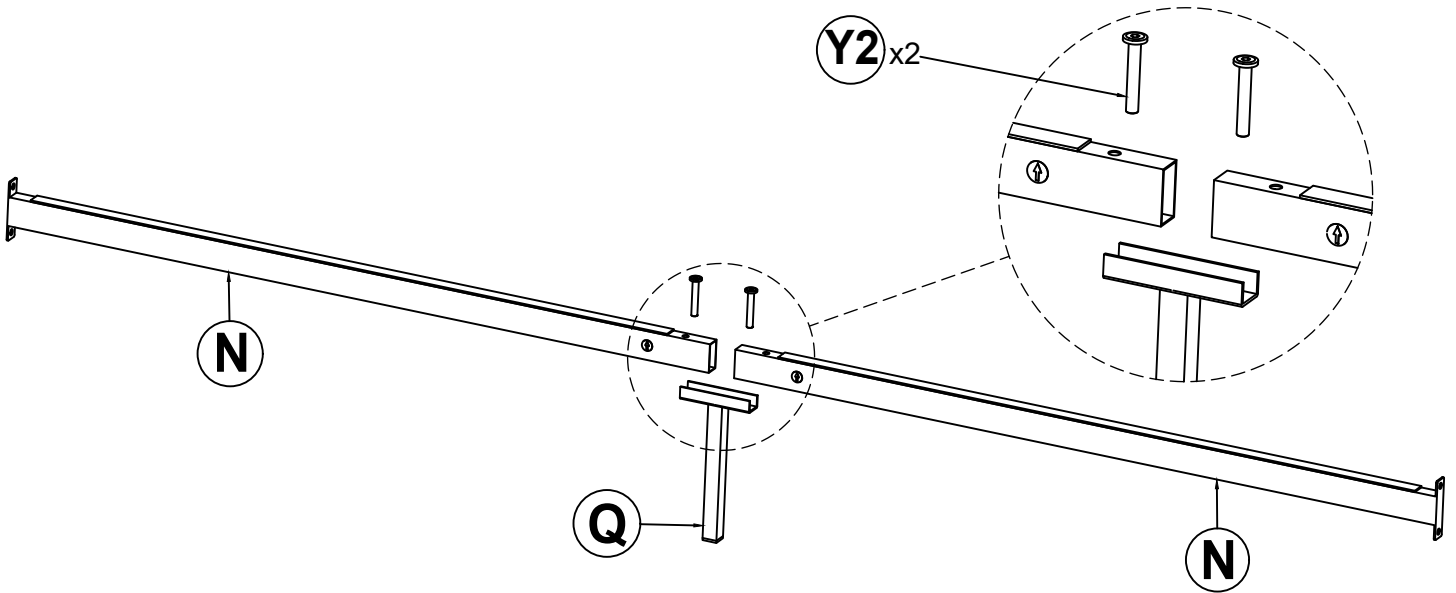
20pcs

1.1

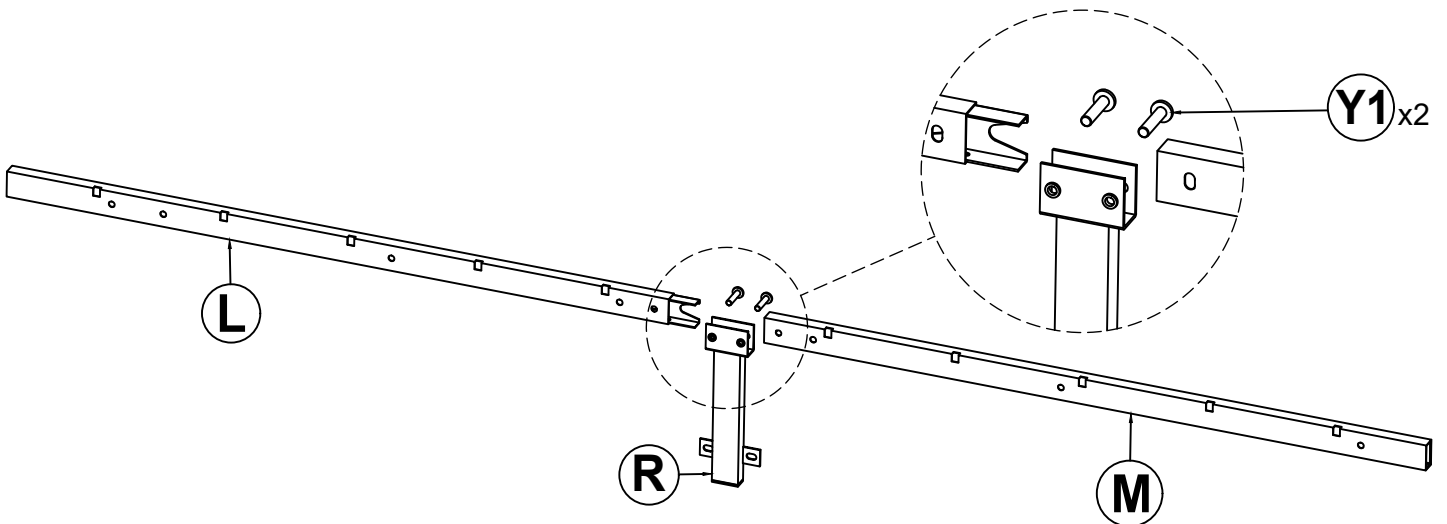
Step 1



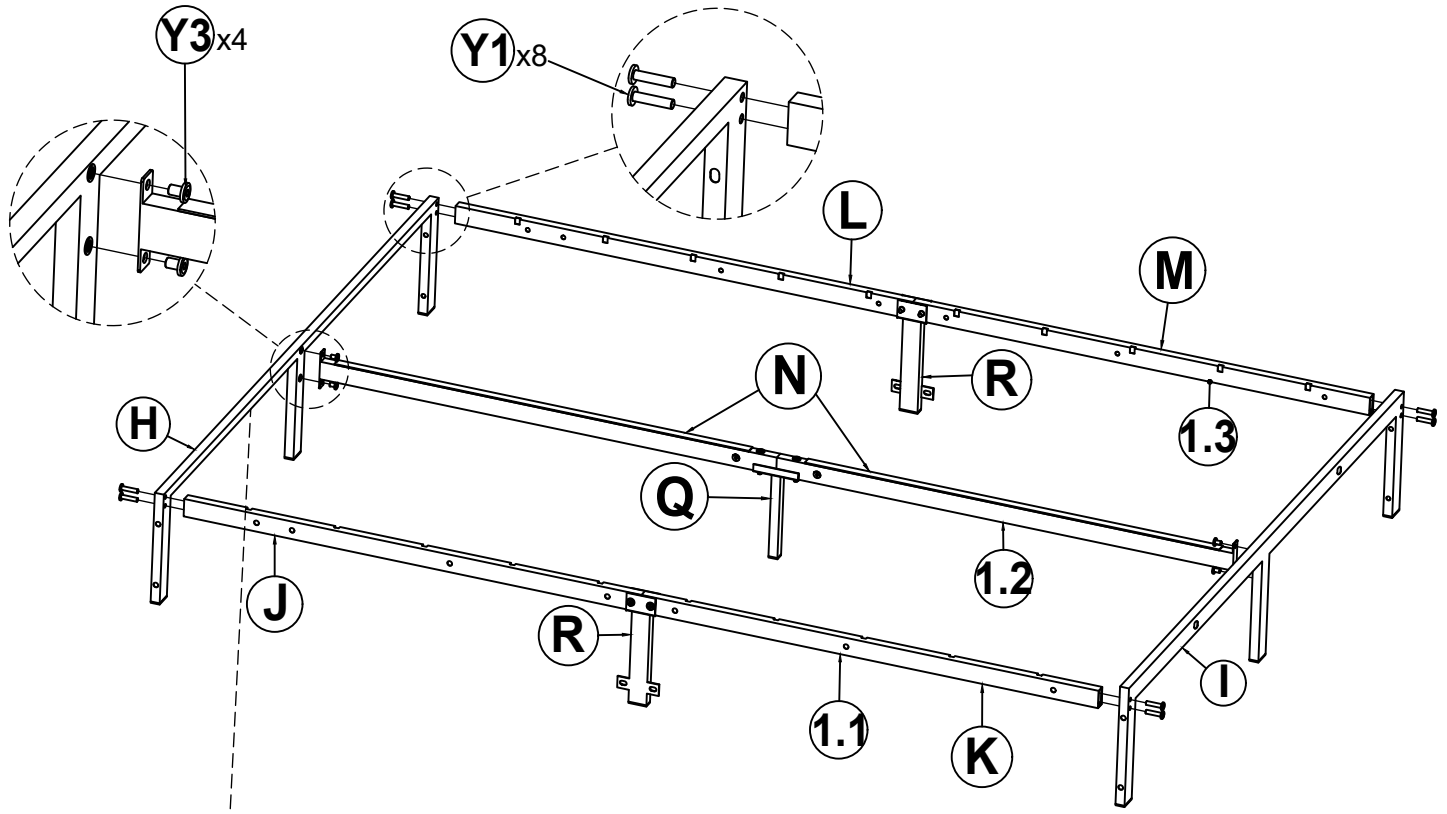
1.2



1.3

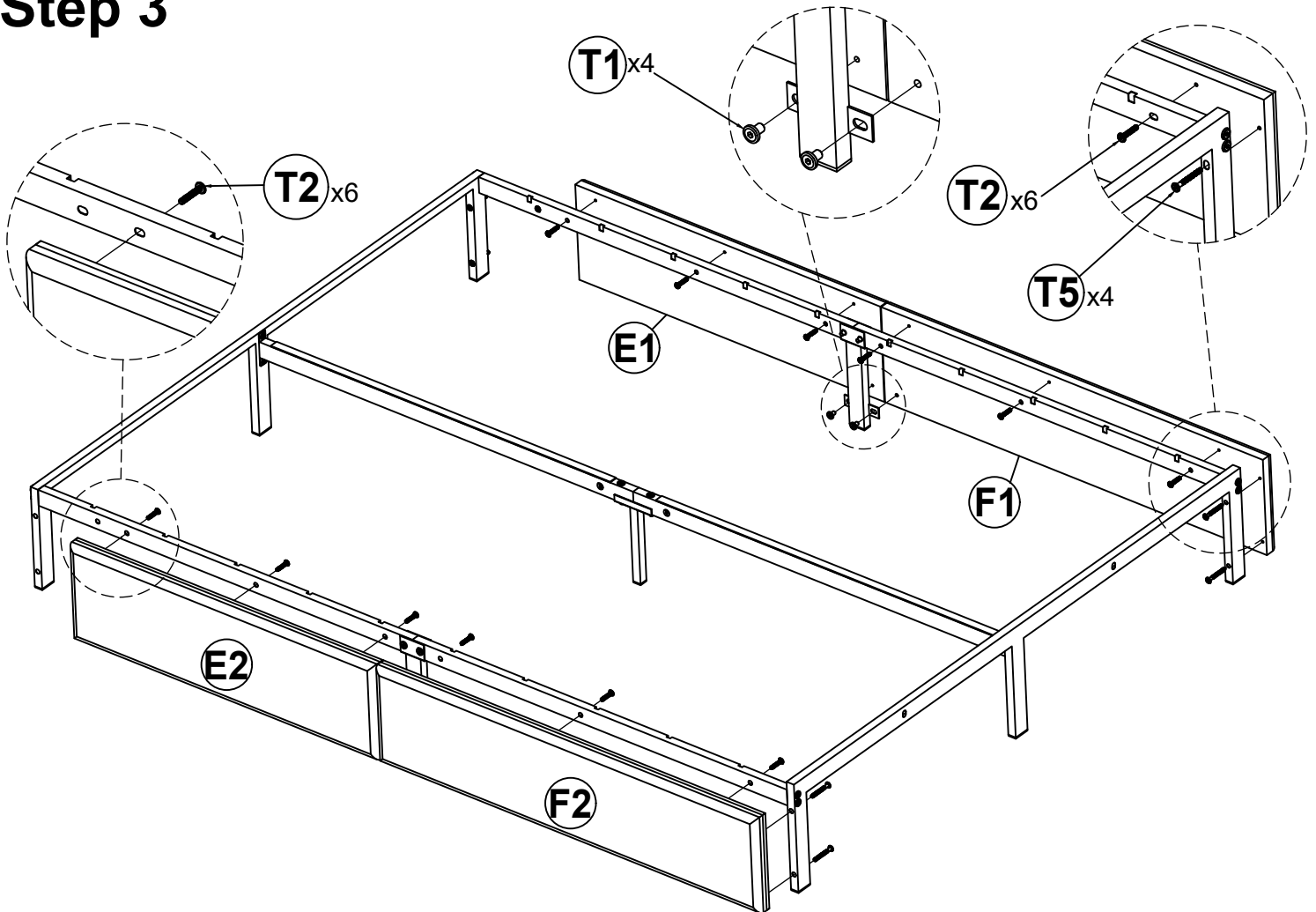


Step 2

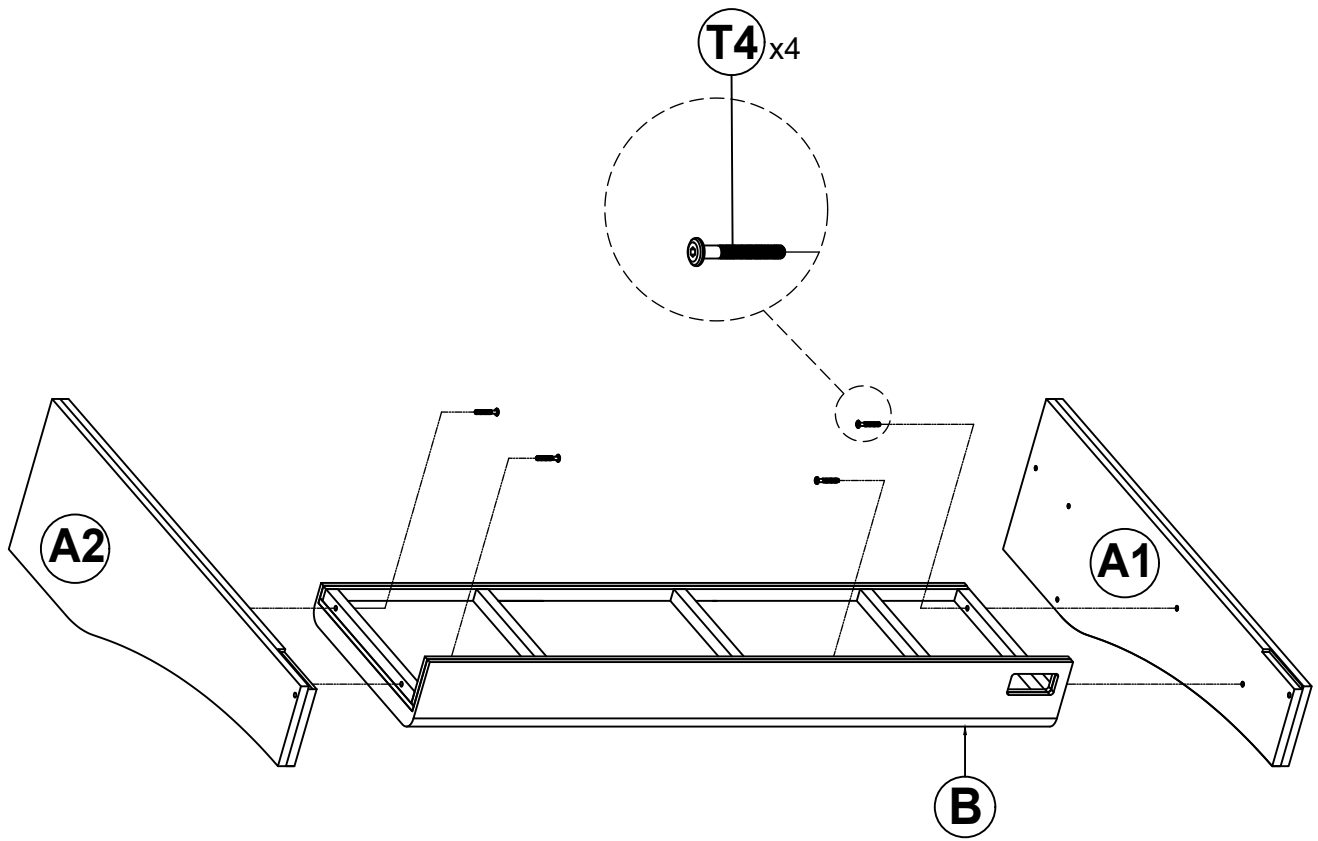


Headboard side

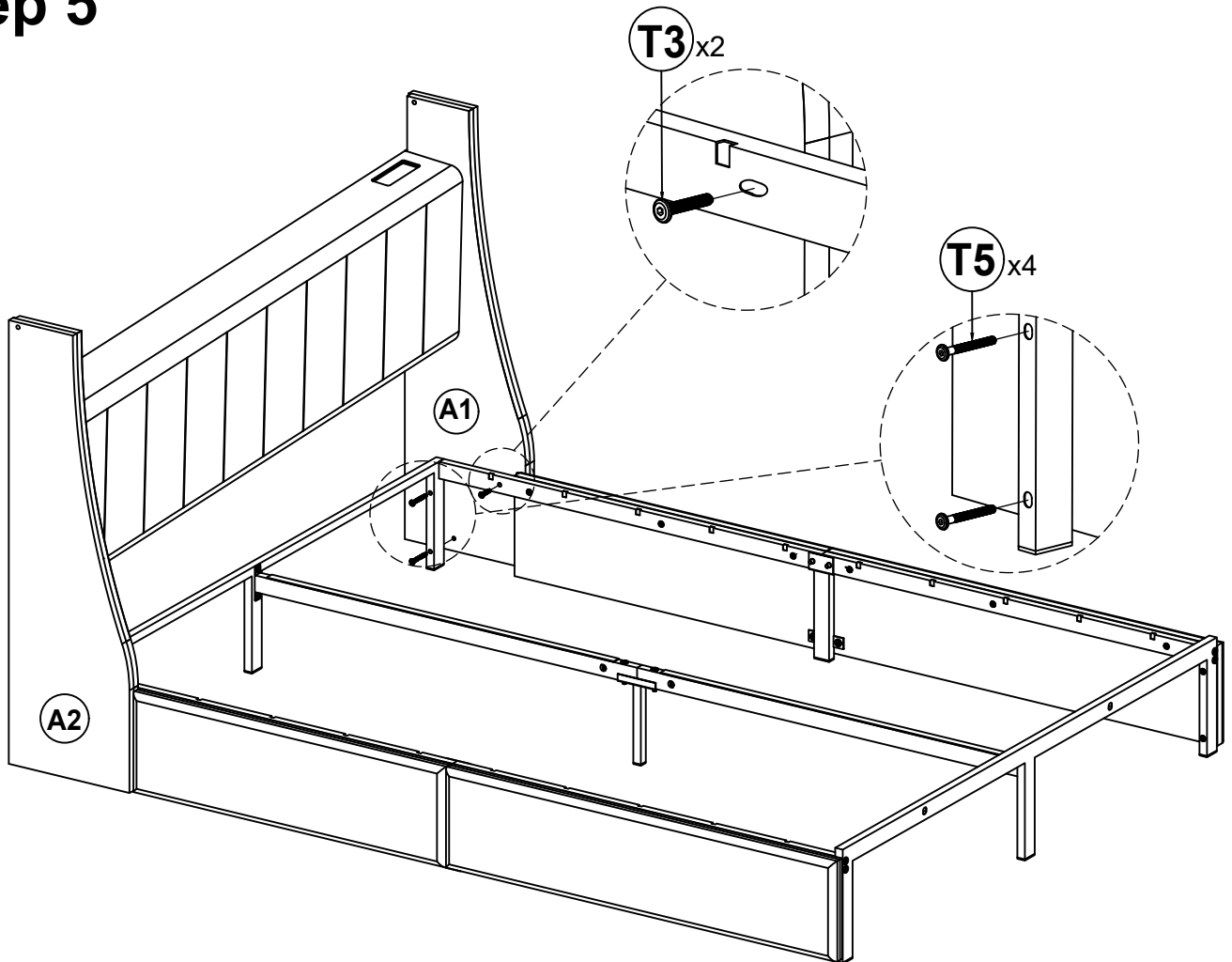
Step 3



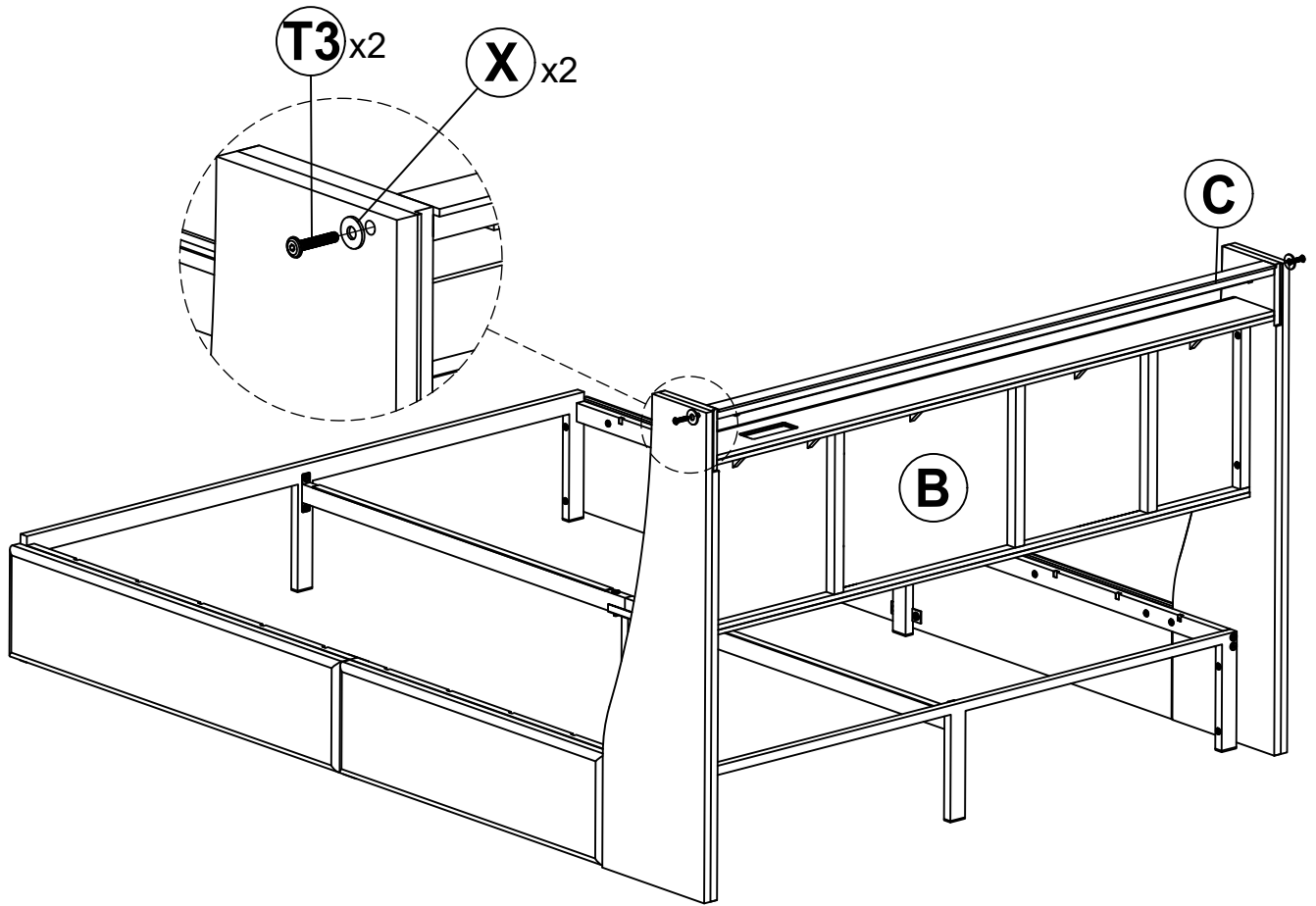
Step 4



Step 5

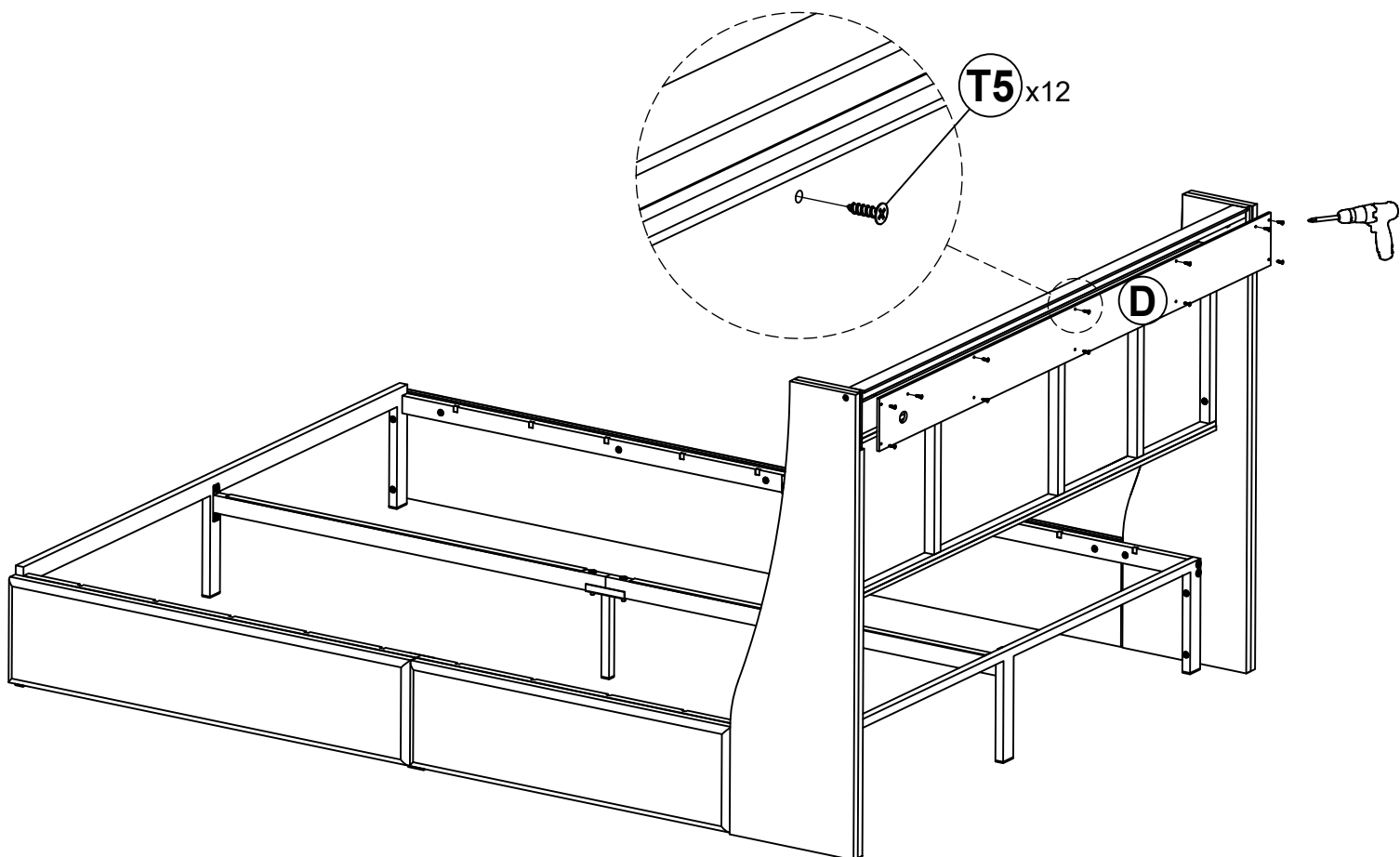


Step 6

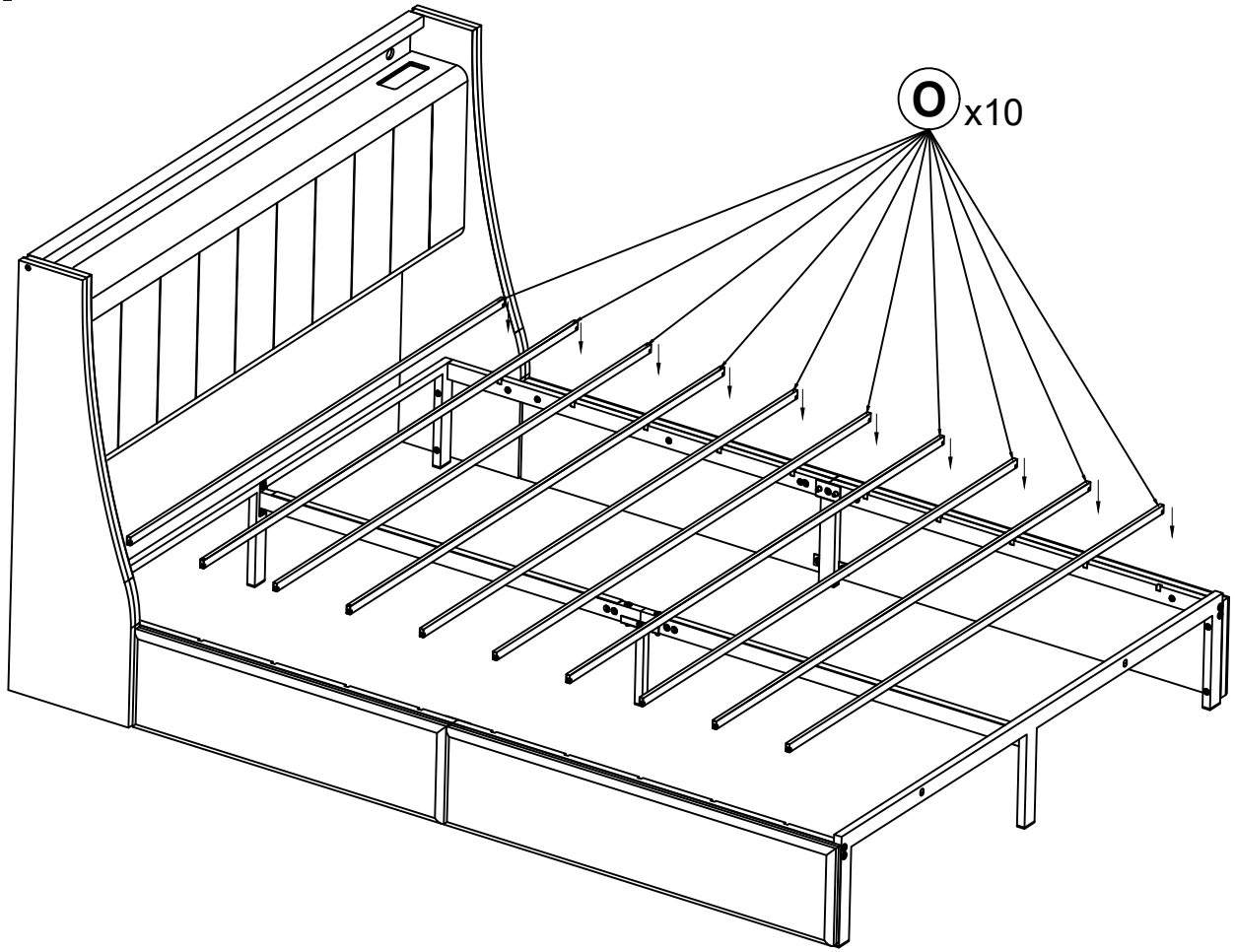


Step 7

We suggest using drill machine to install V screws

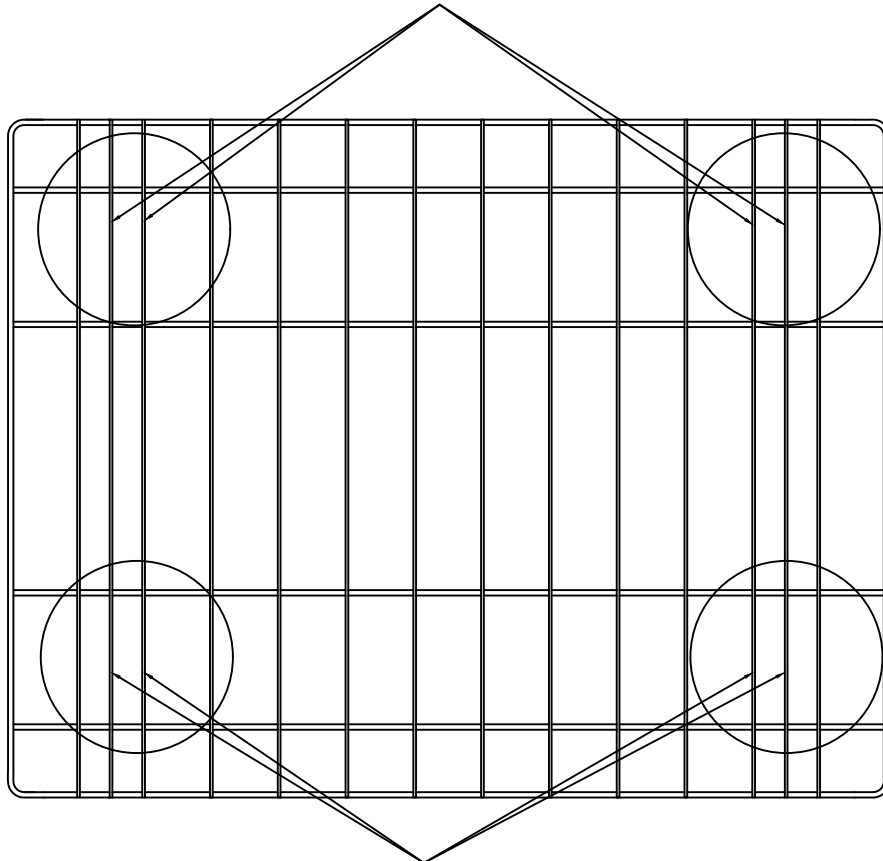


Step 8



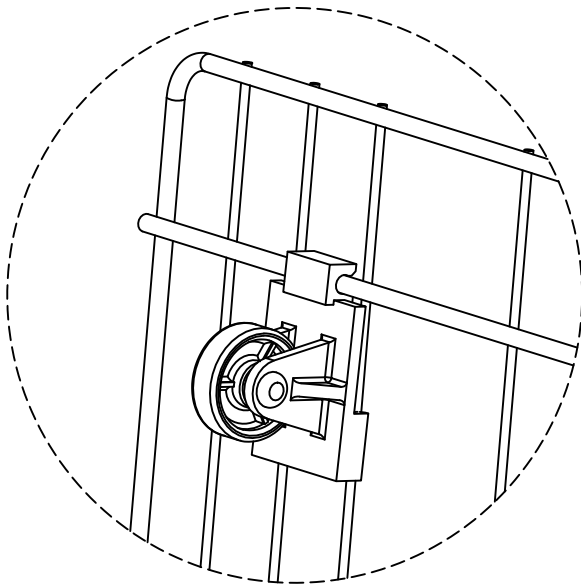
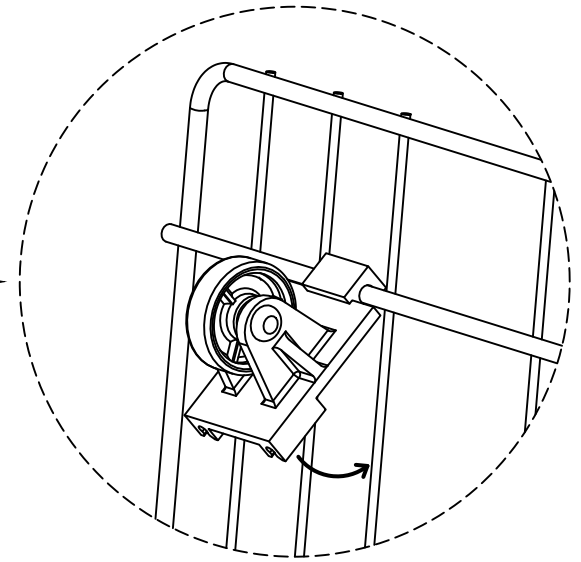
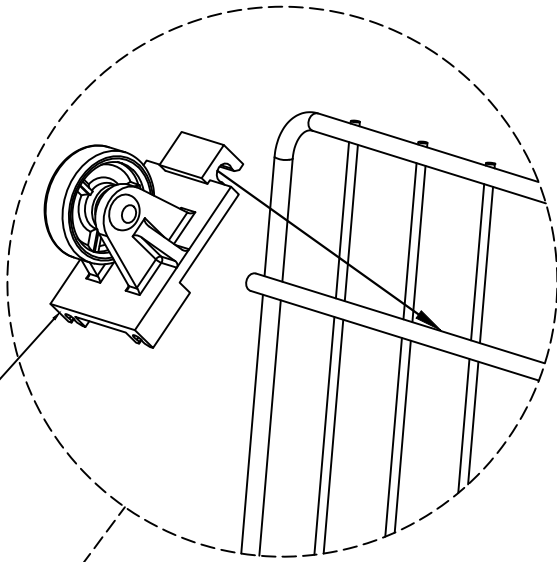
Step 9

Wheel mounting position

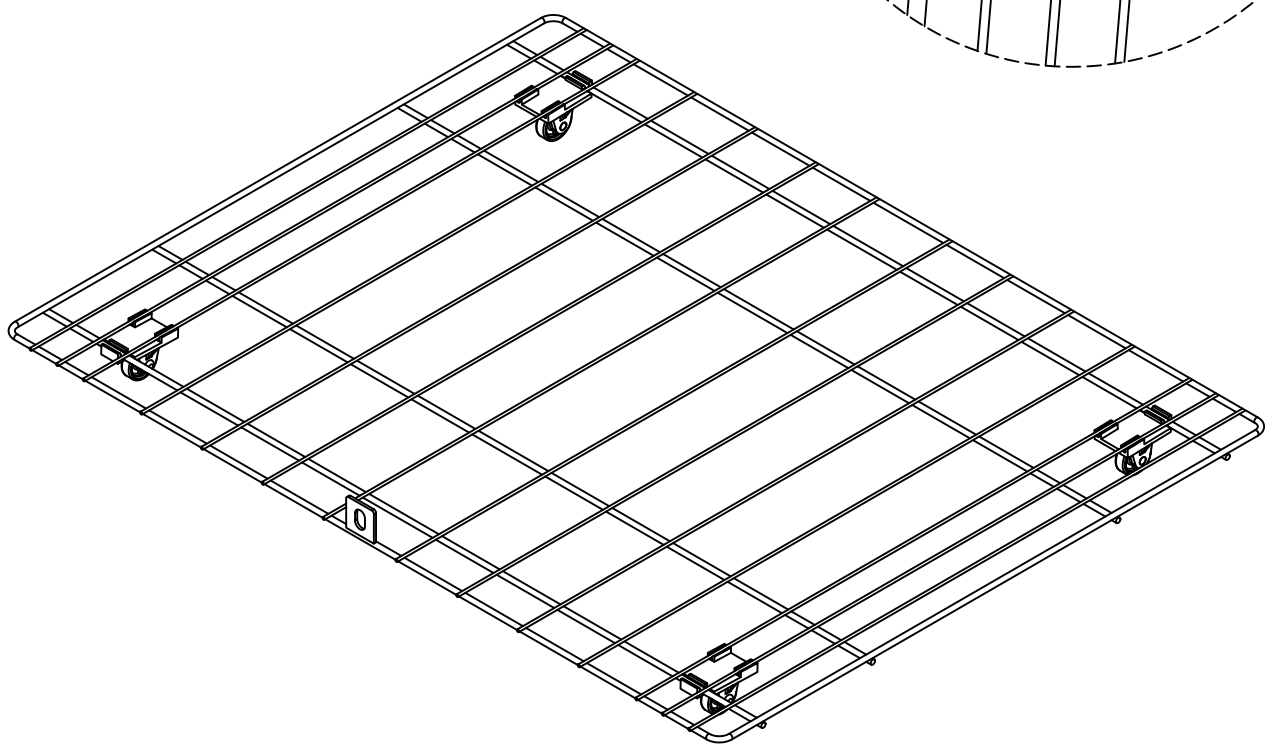
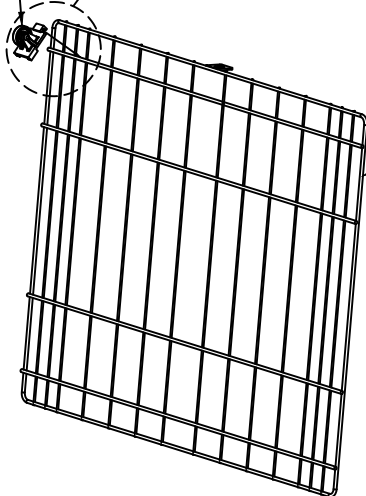


Wheel mounting position

Z5

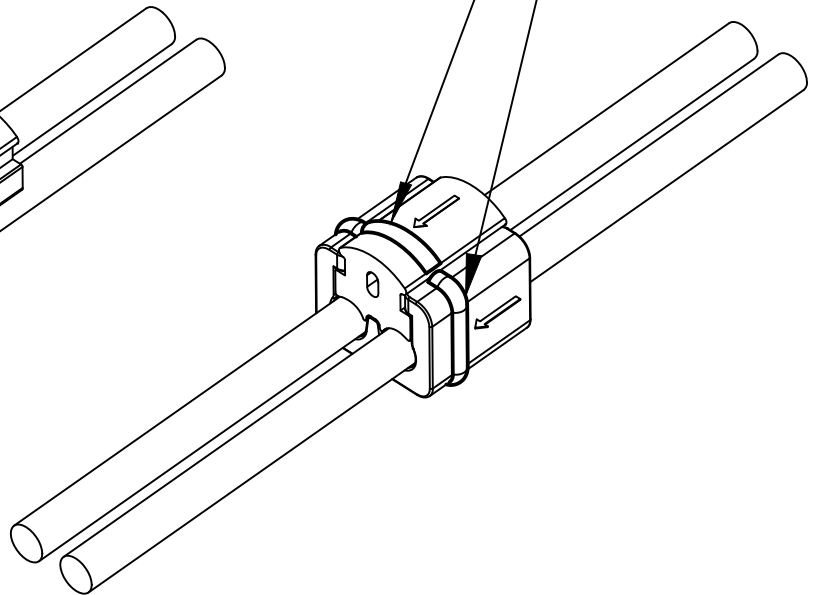
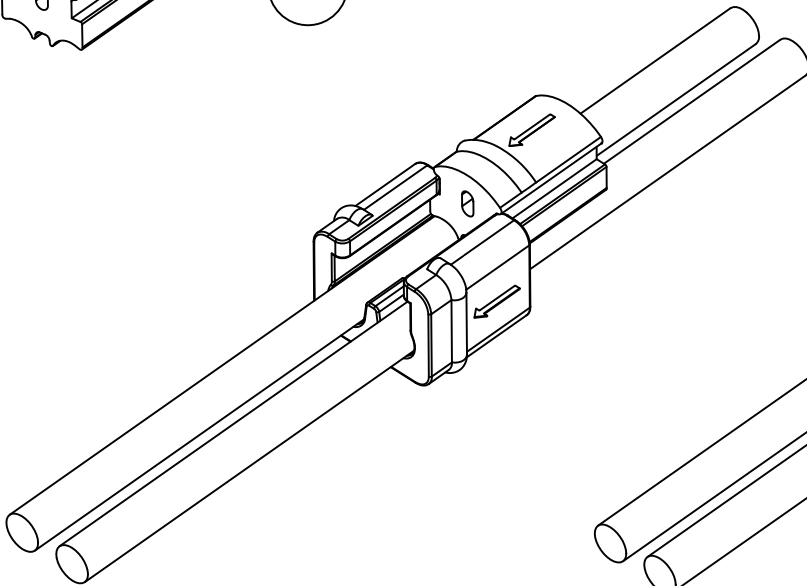
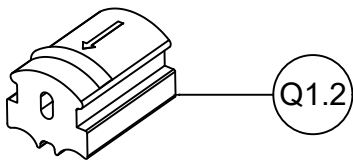
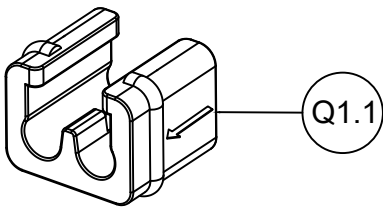


Z4



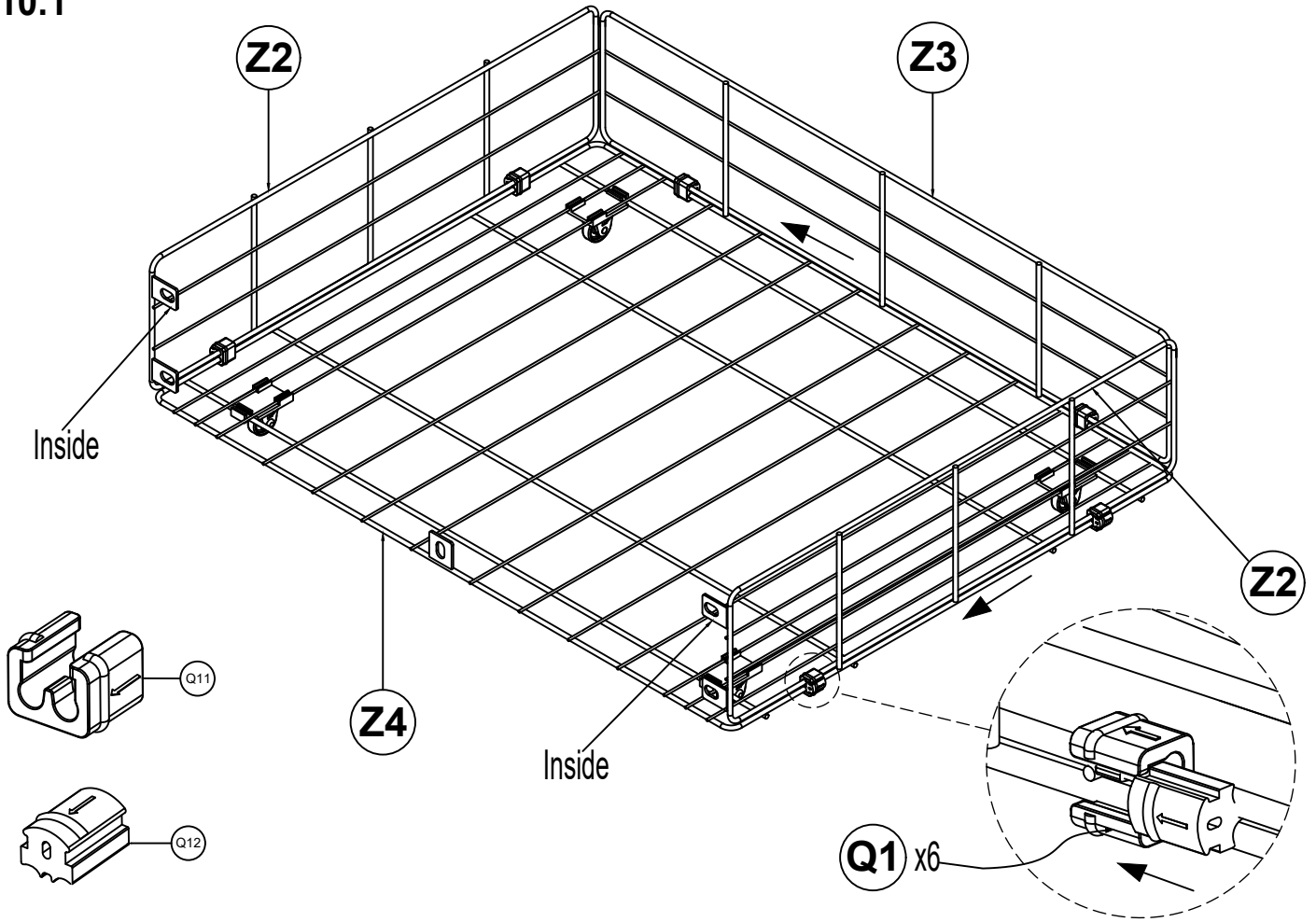
Detailed assembly instructions Q1

**these two
lines on Q1.1
and Q1.2 need
to be matched**

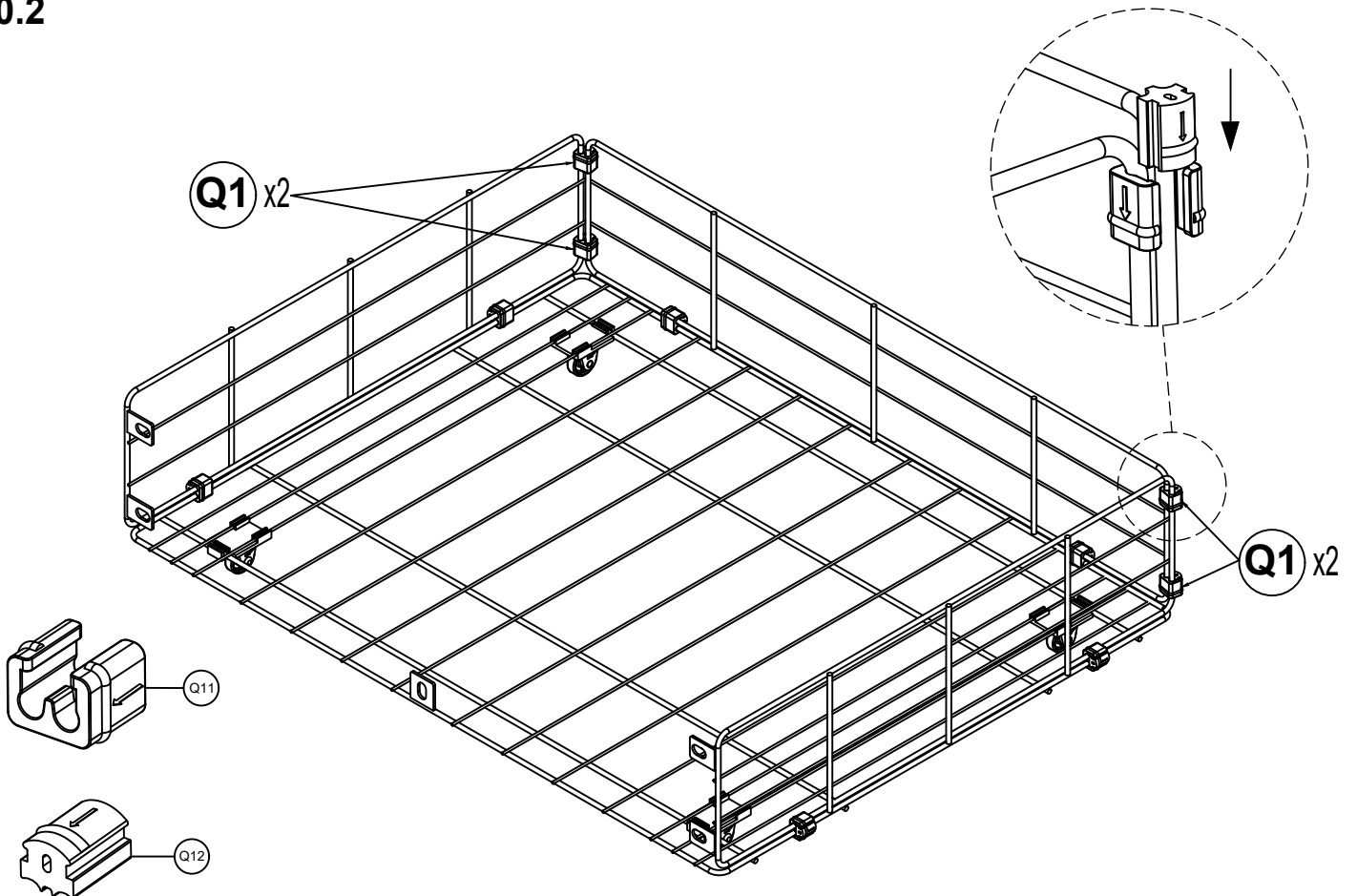


Step 10

10.1

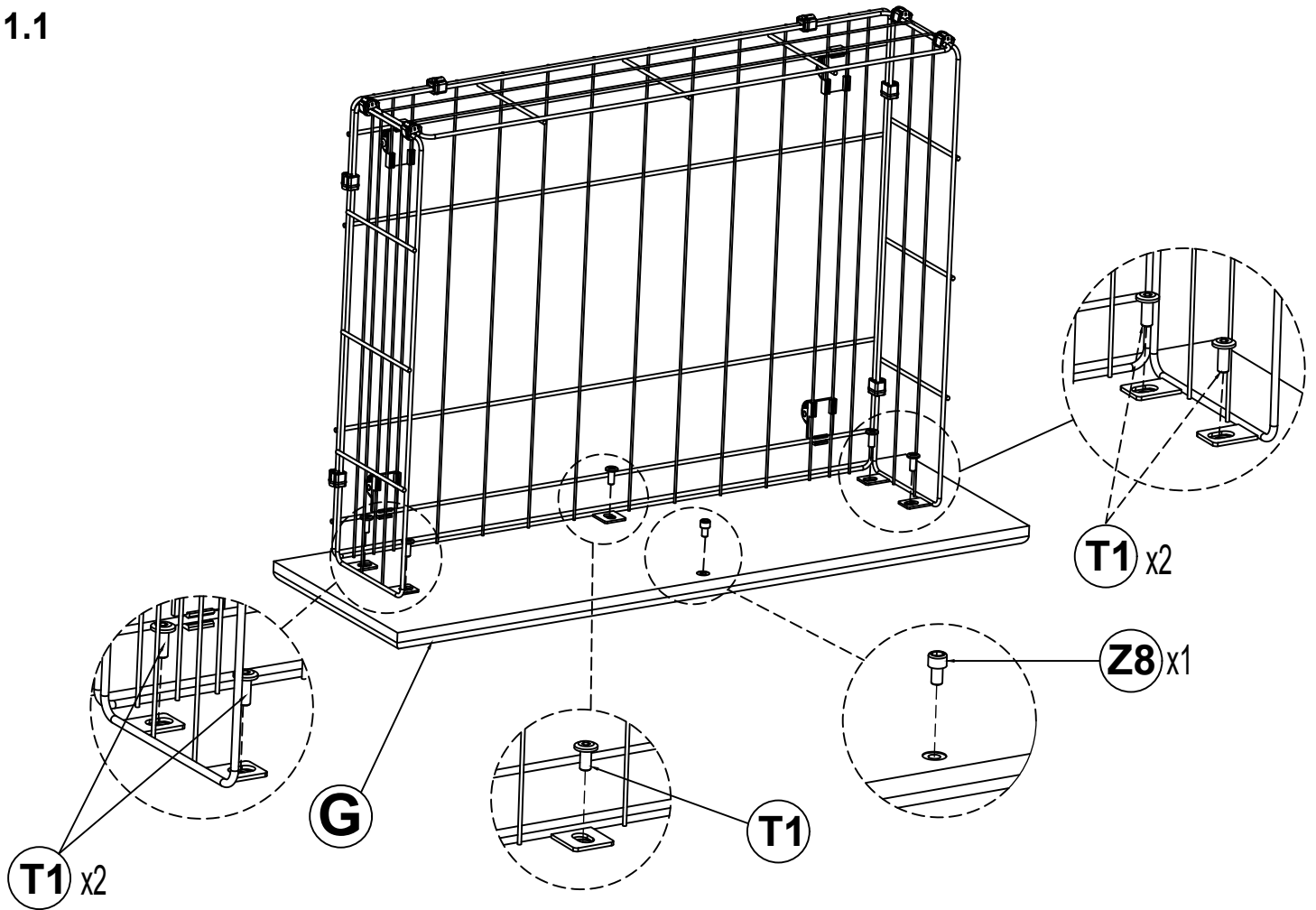


10.2

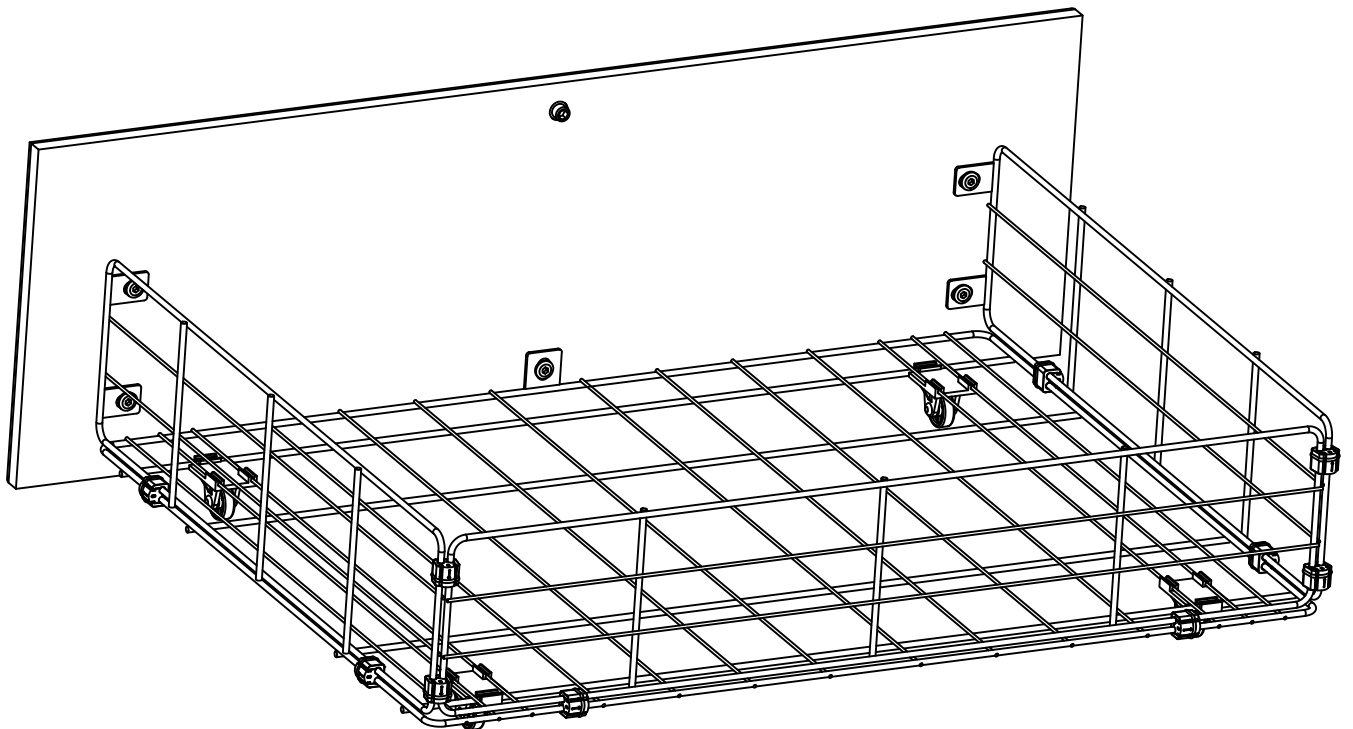


Step 11

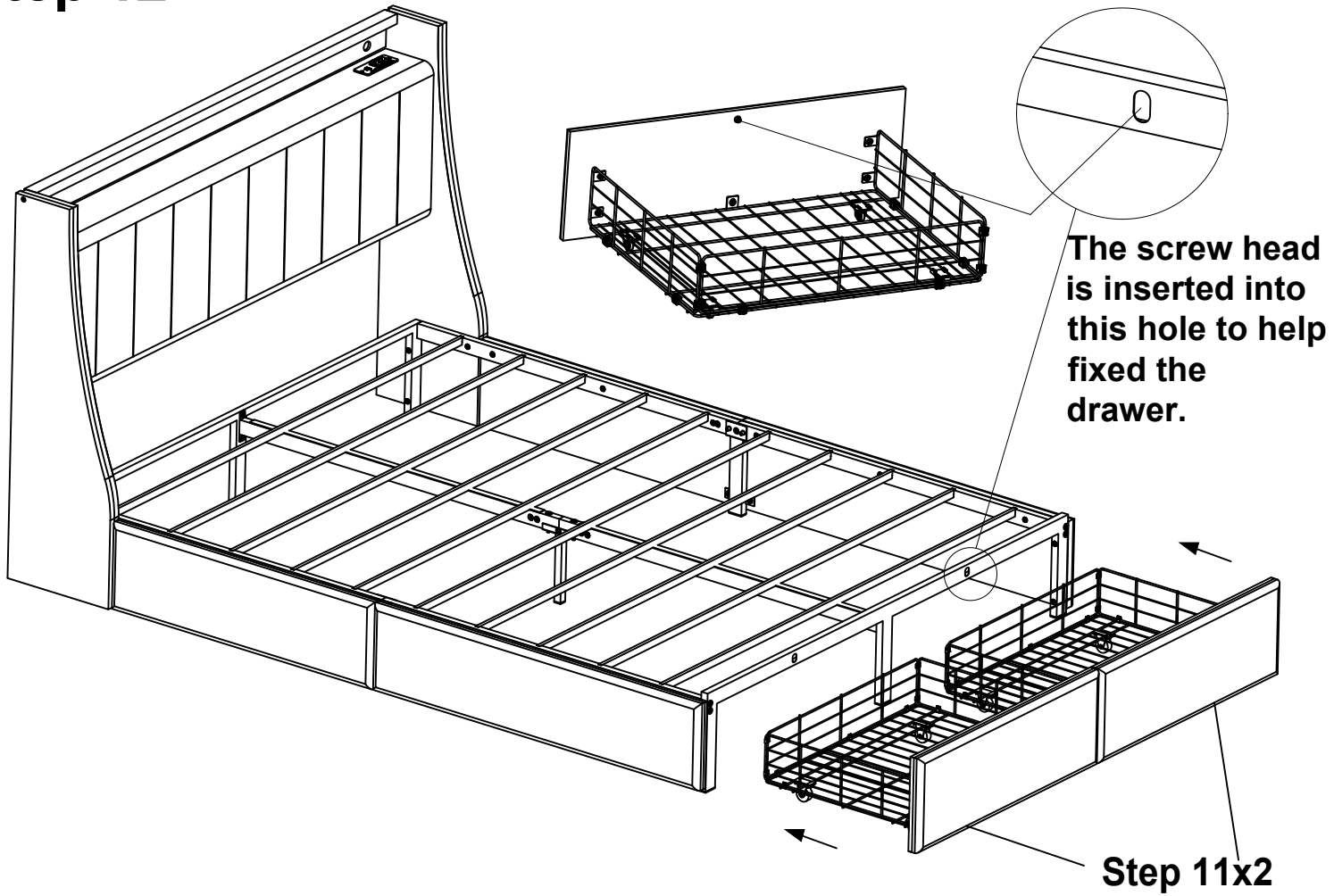
11.1



11.2



Step 12



Step 13

