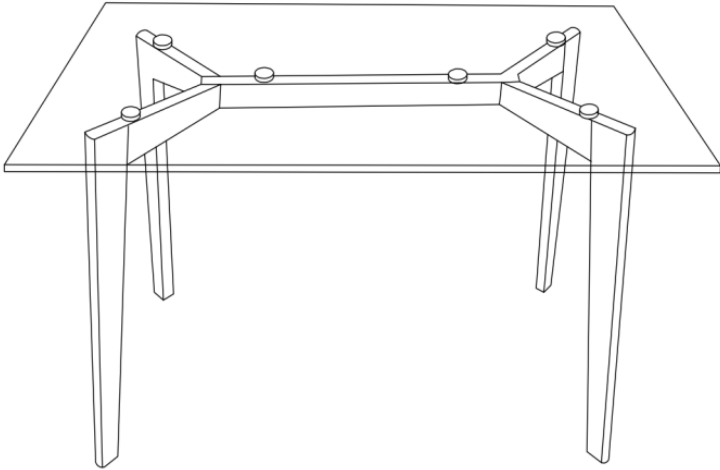


# MALMO DINING TABLE

## ASSEMBLY GUIDE





**Important - Please read these instructions fully before starting assembly**



**SAFETY AND  
CARE ADVICE**



**NO POWER TOOLS**

**SAFETY AND CARE ADVICE**

- Check you have all the components and tools listed.
- Remove all fittings from the plastic bags and separate them into their groups.
- We do not recommend the use of power drills/drivers for inserting screws, as this could damage the unit. Only use hand screwdrivers and Allen keys.
- Keep children and animals away from the work area, small parts could cause choking if swallowed.
- Make sure you have enough space to layout the parts before starting.
- Assemble the item as close to its final position (in the same room) as possible.
- Do not overtighten the nuts to avoid causing damage to the threads.
- Only clean using a damp cloth and mild detergent, do not use bleach or abrasive cleaners.
- From time to time check that there are no loose screws on this unit
- This product should not be discarded with household waste. Take to your local authority waste disposal centre

# IMPORTANT INFORMATION



45 MINUTE  
BUILD



GLASS



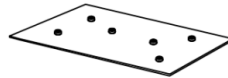
TWO  
PERSON



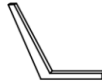
MAXIMUM  
CAPACITY  
100Kg

PLEASE CHECK CAREFULLY AND MAKE SURE YOU HAVE ALL FITTINGS AND TOOLS LISTED BELOW BEFORE YOU START.

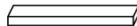
1 x1










2 x4



3 x1



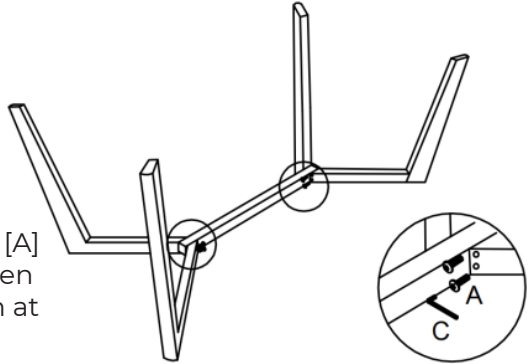
A  x8	B  x4	C  4# x1	D  5# x1
E  x2	F  x2	G  x2	

**NOTE:** The quantities above are the correct amount to complete the assembly. In some cases more fittings may be supplied than are required.

## STEP 1

Use a clear, flat, soft surface to avoid bumps or scratches.

First connect the 4x legs [2] to leg centre piece [3]. Align the pre-drilled holes. Use 2 x bolts [A] on each leg - 8 in total. Use Allen key [C] but do not fully tighten at this stage.

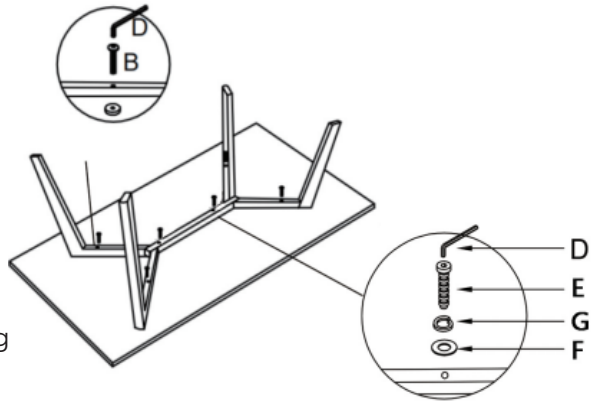


## STEP 2

Attach the legs to the tabletop. Place tabletop [1] face down on a flat, soft surface. Align the legs with the pre-drilled holes. Connect the legs to table top. **Note that 2 different bolt types are used here.**

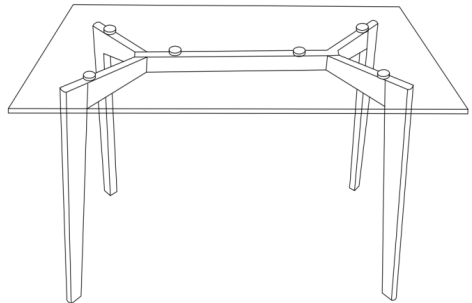
For the two holes on the central beam, use 2x spring washers [G], 2x washers [F] and 2x bolts [E].

For the four outer holes, use 4x bolts B only. Tighten with Allen key [D]. Tighten all leg bolts with Allen Key [D].



## STEP 3

Carefully, and with help, flip your table onto its feet. Check for stability. Your table is now ready to use!



# WHAT THE GUARANTEE COVERS



**PRE-INSERTED FIXINGS**  
e.g. lose metal threads



**FAULTY JOINTS**  
e.g. legs bending



**EXTERNAL FIXING FAULTS**  
e.g. bonding/glue



**STRUCTURAL INTEGRITY**  
e.g. the frame of the  
product