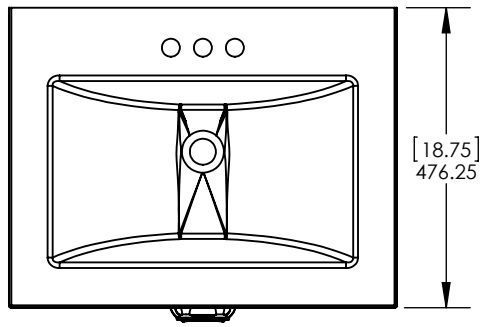
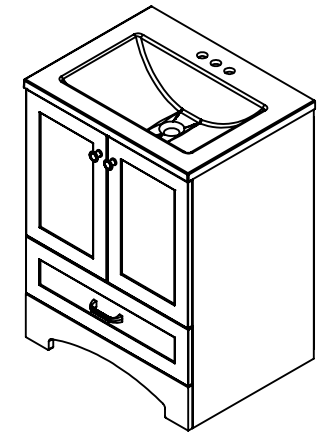


6	5
<b>CABINET ID</b>	<b>DESCRIPTION</b>
W050324P2	24in W0503 2Pc

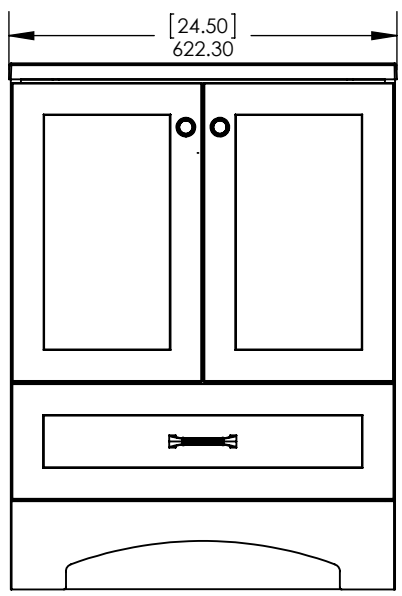
3	2	1
<b>REV</b>	<b>ECO#</b>	<b>DESCRIPTION</b>
0		
		<b>REV'D BY DATE</b>
		<b>CHK'D BY DATE</b>
		<b>APRV'D BY DATE</b>



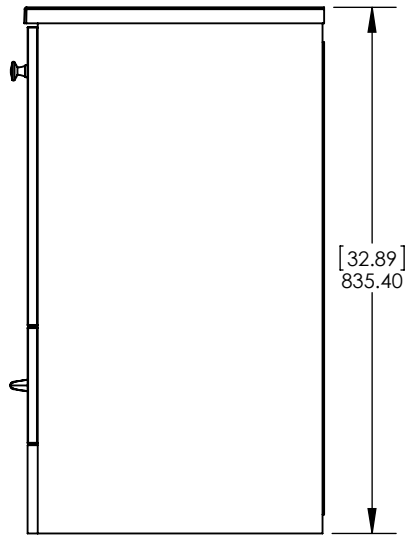
Top View / Vista Superior



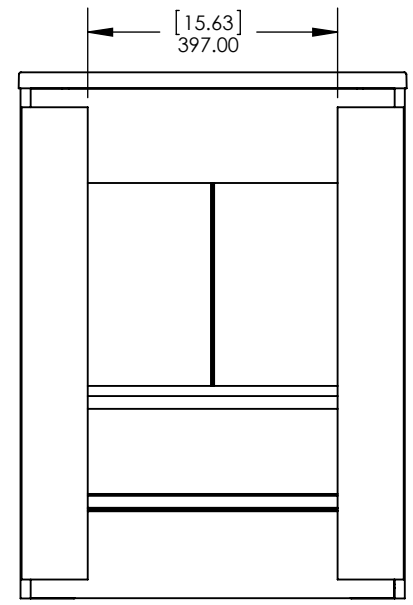
Isometric View / Vista Isometrica



Front view / Vista Frontal



Side View / Vista Lateral

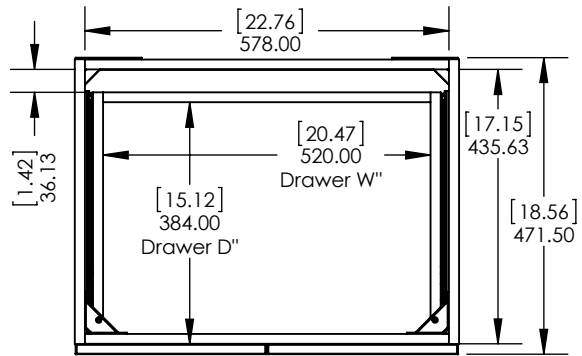


Back View / Vista Trasera

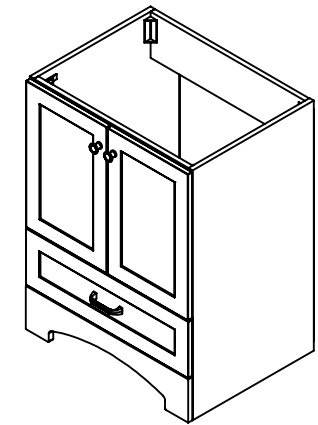
<b>PROPRIETARY AND CONFIDENTIAL</b> THE INFORMATION CONTAINED IN THIS DRAWING IS THE SOLE PROPERTY OF WOODCRAFTERS HOME PRODUCTS L.L.C. ANY REPRODUCTION IN PART OR AS A WHOLE, WITHOUT THE WRITTEN PERMISSION OF WOODCRAFTERS HOME PRODUCTS L.L.C. IS PROHIBITED.	Tolerancia no especificada	Drawn BY / Dibujado por:		Cabinet Name/Nombre de Gabinete:		FG ID:		
	Lineal ±1.00mm	Angular ±0.5°	Checked By / Revisado Por:		W050324P2			
			Approved By / Revisado Por:		# of Drawing/ de Dibujo:	PAGE	REV:	
					1 OF 2		0	

CABINET ID	DESCRIPTION
W050324P2	24in W0503 2Pc

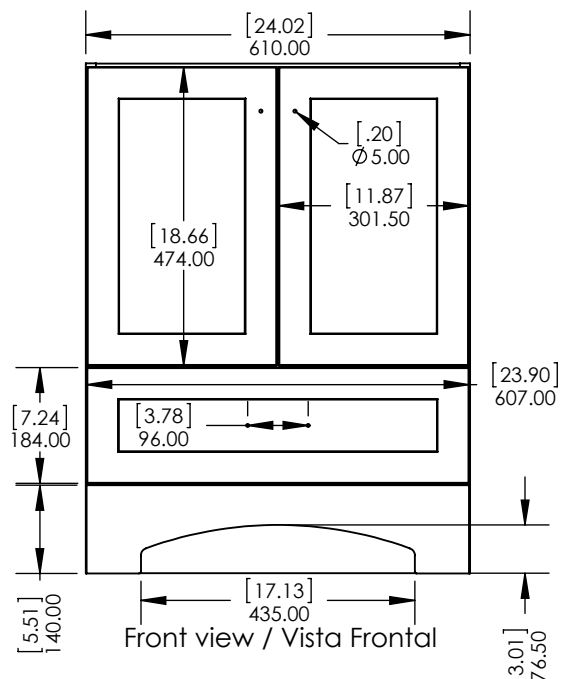
REV	ECO#	DESCRIPTION	REV'D BY DATE	CHK'D BY DATE	APRV'D BY DATE
0					



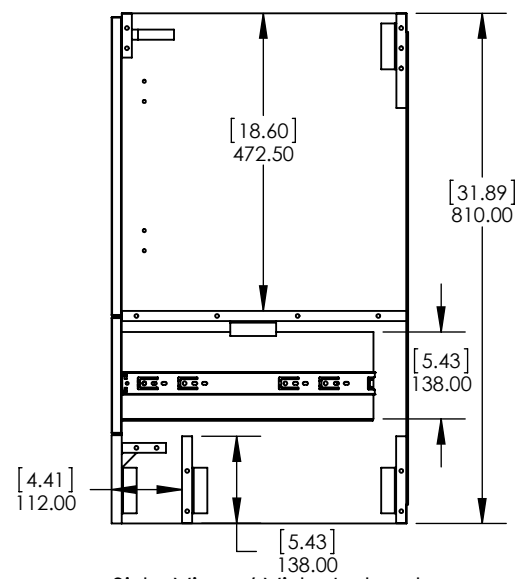
Top View / Vista Superior



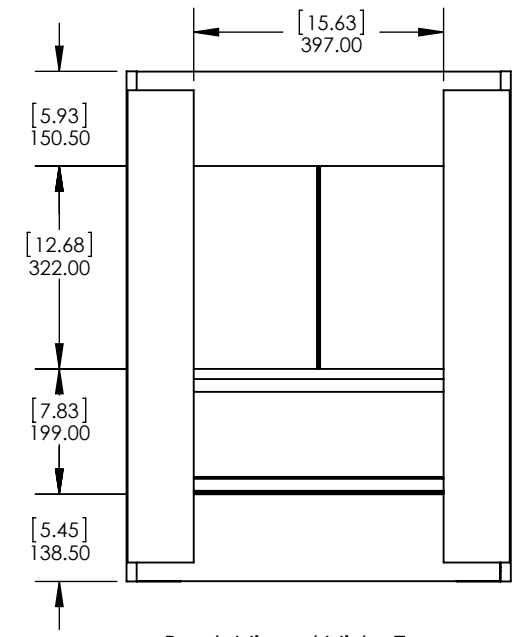
Isometric View / Vista Isometrica



Front view / Vista Frontal



Side View / Vista Lateral

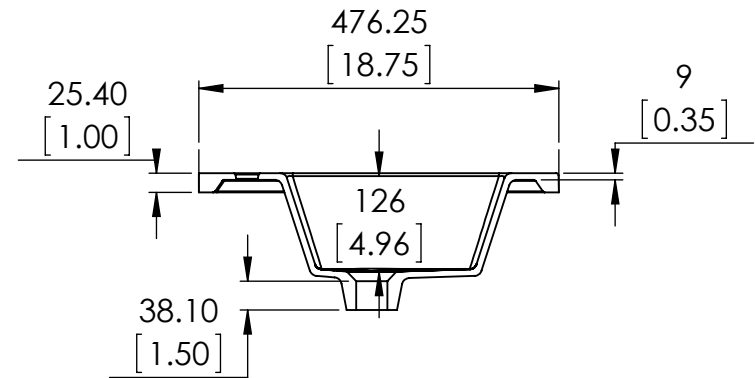
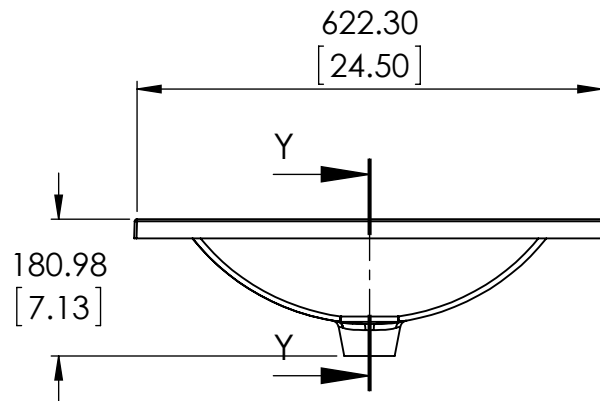
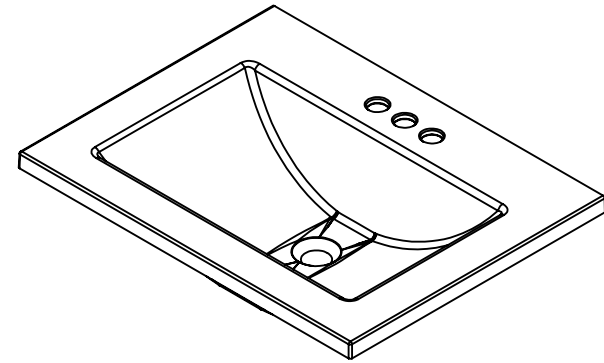
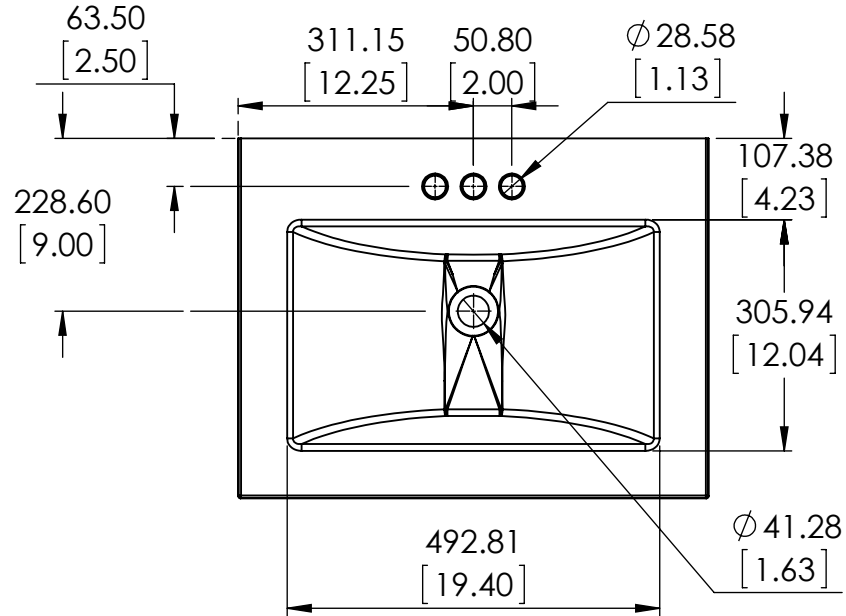


Back View / Vista Trasera

<b>PROPRIETARY AND CONFIDENTIAL</b> THE INFORMATION CONTAINED IN THIS DRAWING IS THE SOLE PROPERTY OF WOODCRAFTERS HOME PRODUCTS L.L.C. ANY REPRODUCTION IN PART OR AS A WHOLE, WITHOUT THE WRITTEN PERMISSION OF WOODCRAFTERS HOME PRODUCTS L.L.C. IS PROHIBITED.		Tolerancia no especificada	Drawn By / Dibujado por:	Cabinet Name/Nombre de Gabinete: <b>W050324P2</b>	FG ID:
Lineal ±1.00mm	Angular ±0.5°	Approved By / Revisado Por:	# of Drawing/ de Dibujo:	PAGE 2 OF 2	REV: <b>0</b>

ITEM TYPE	ITEM ID	ITEM DESCRIPTION	DRAWING STATUS
FG	595778	Top, Alpine 24.50x18.75 4in	R&D

REV	DESCRIPTION	DATE	APPROVAL
0	RELEASED	05/09/23	E. SANDOVAL



**PROPRIETARY AND CONFIDENTIAL**  
 THE INFORMATION CONTAINED IN THIS DRAWING IS THE SOLE PROPERTY OF WOODCRAFTERS. ANY REPRODUCTION IN PART OR AS A WHOLE WITHOUT THE WRITTEN PERMISSION OF WOODCRAFTERS IS PROHIBITED.

UNLESS OTHERWISE SPECIFIED  
 DIMENSIONS ARE IN MM. AND [INCHES]  
 TOLERANCES ARE  
 + 3.175 [0.125] - 3.175 [0.125]  
 SCALE: 1:10

	NAME	DATE
DRAWN	G. REYES	4/11/23
CHECKED	O. RAZO	4/11/23
ENG APPR.	J. GUZMAN	4/11/23
MFG APPR.	V. SANCHEZ	4/11/23



SIZE	DWG. NO.	SHEET 1 OF 1
A		FG