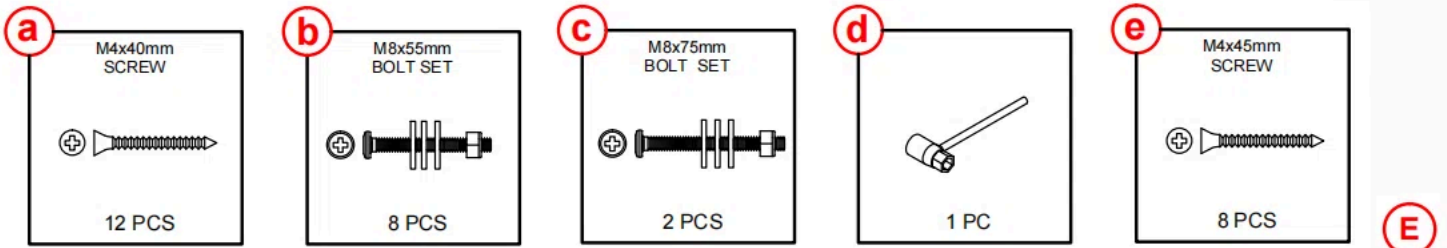
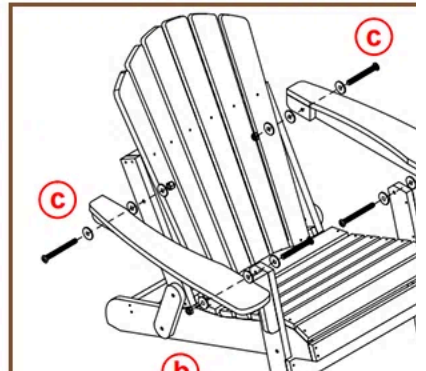
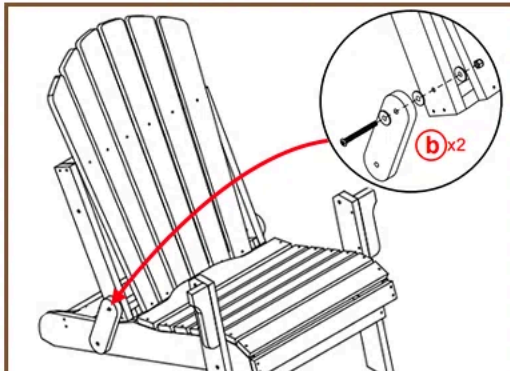
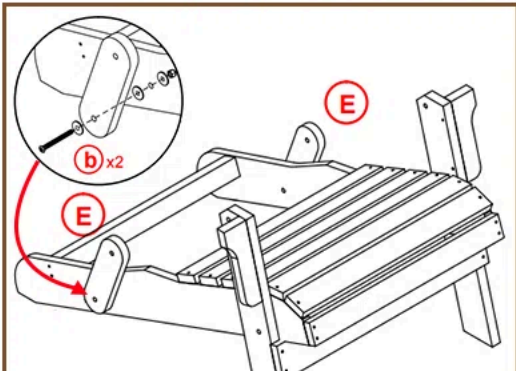
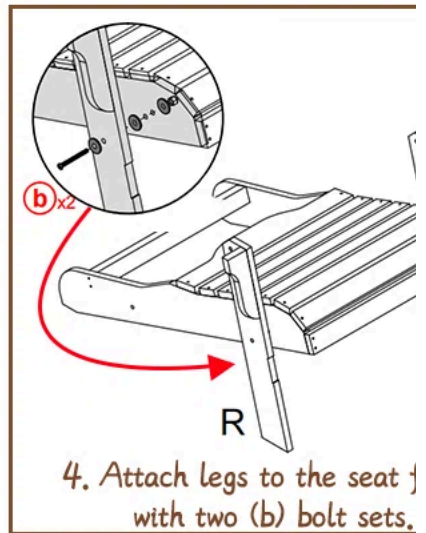
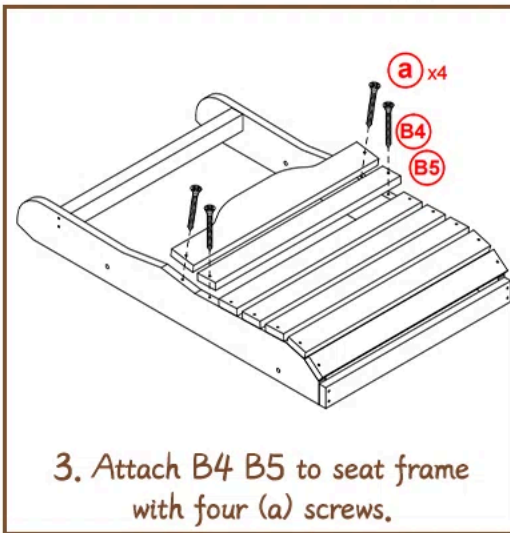
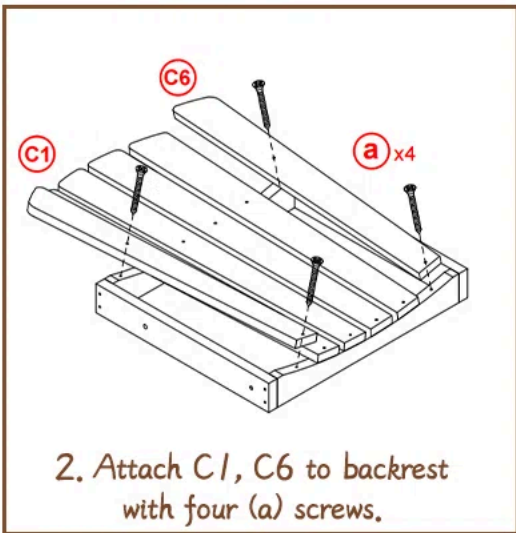
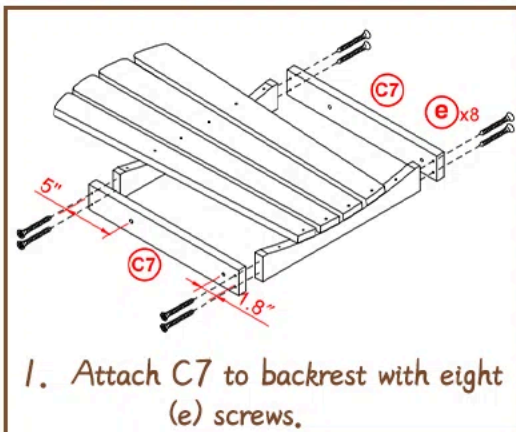
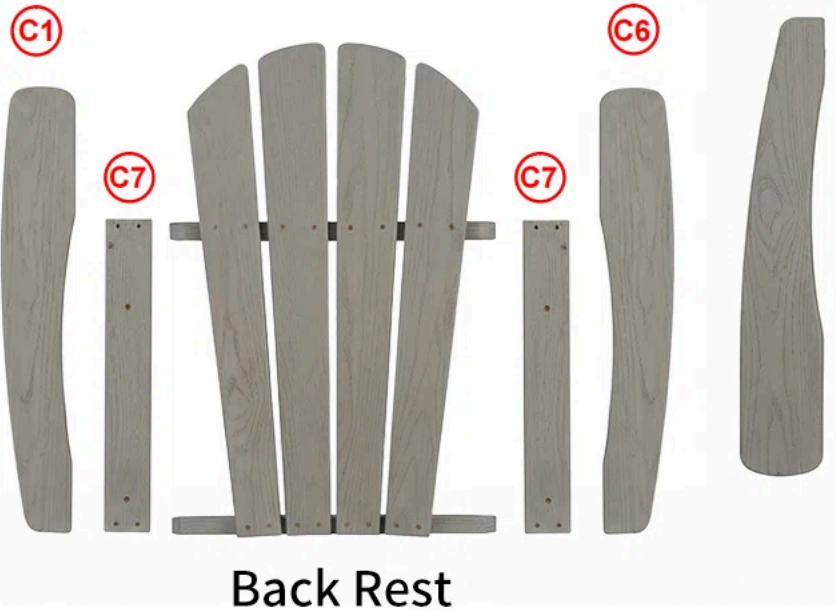


HARDWARE



PRODUCT ASSEMBLY





6. Attach E with two (b) bolt sets,
one on each side



7. Attach backrest to the backrest
supports with two(b) bolt sets.



8. Attach armrests with two
bolt sets and two (c) bolt s