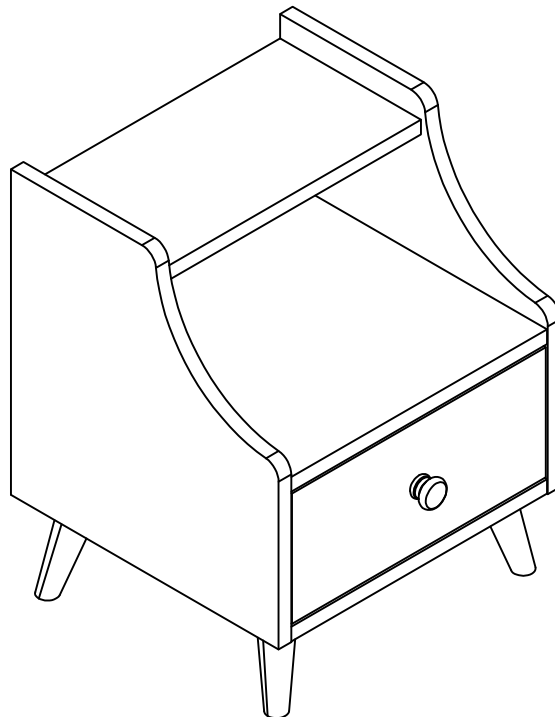
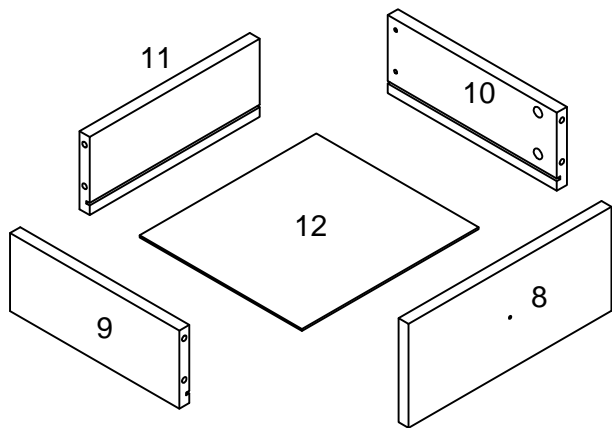
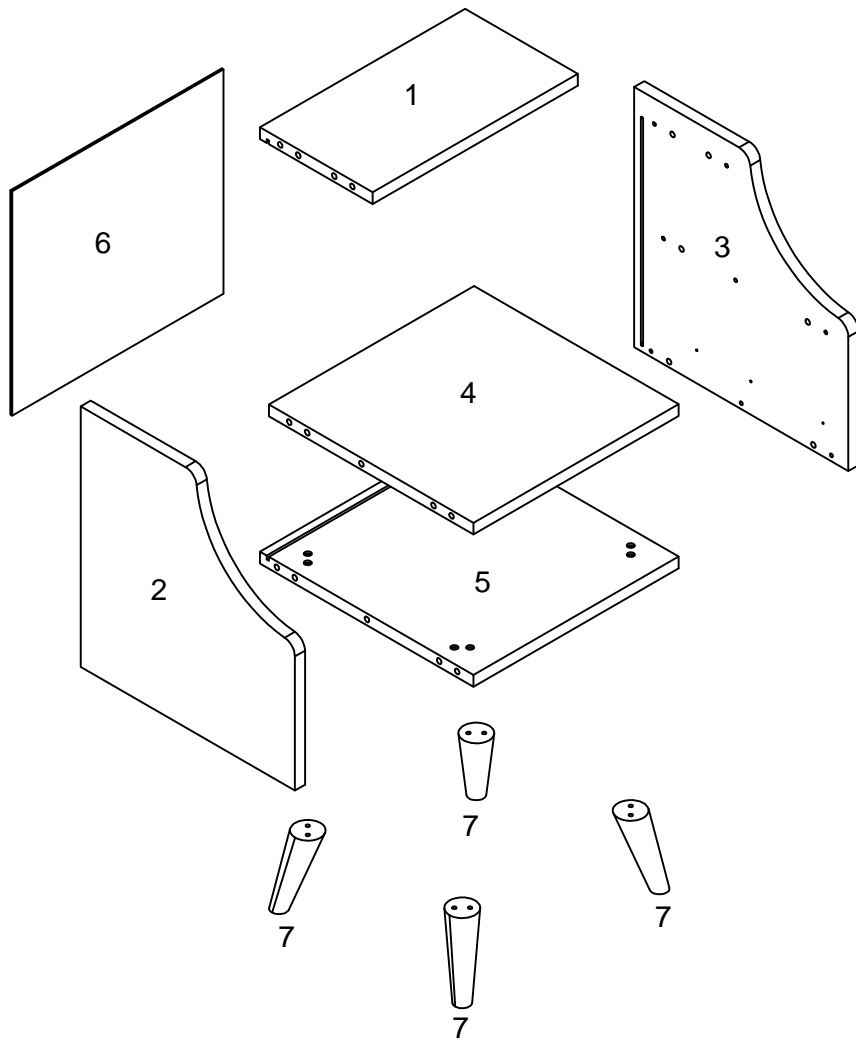


INSTRUCTION

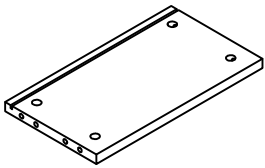
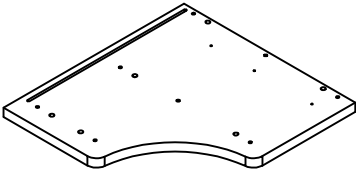
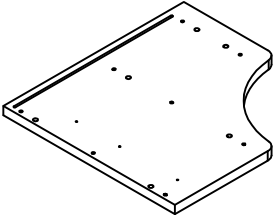
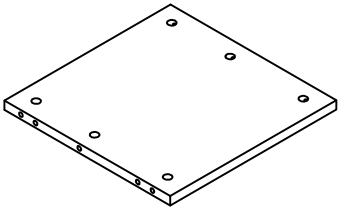
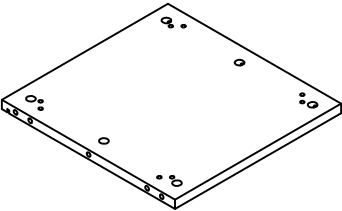
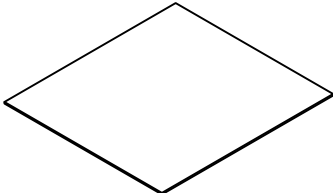
End Table

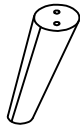
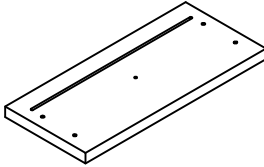
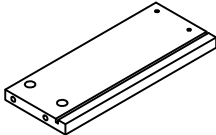
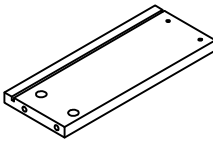
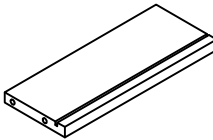
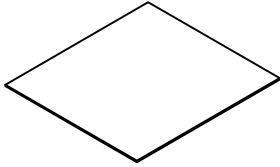
Caution: Read owner's manual completely before assembly and use.



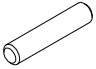
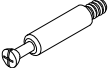

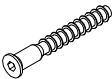
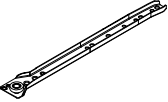
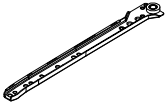
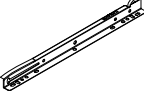
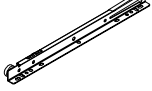

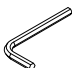

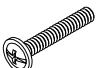


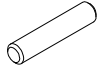
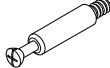


Parts :

	PARTS	Q'TY
1		01
2		01
3		01
4		01
5		01
6		01

	PARTS	Q'TY
7		04
8		01
9		01
10		01
11		01
12		01

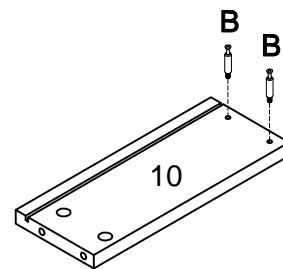
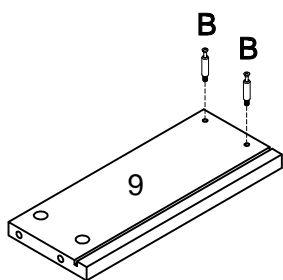
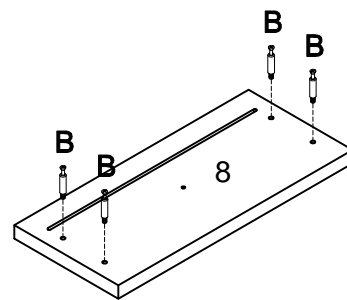
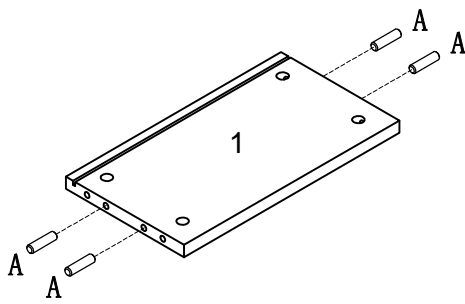
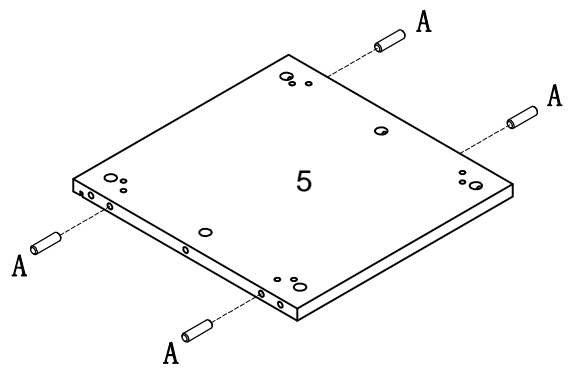
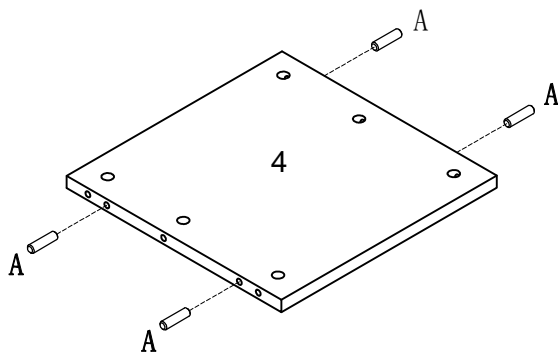
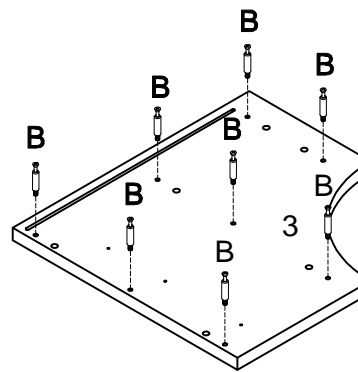
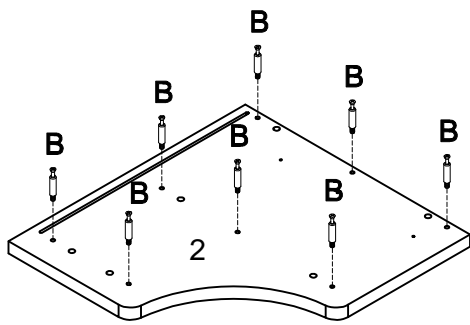
Hardware:

	HARDWARE	Q'TY
A	 $\varnothing 8 \times 30$	12
B	 D15	24
C	 D15	24
D	 M7 \times 40	08
E		01
F		01
G		01
H		01
I	 M3.5 \times 15	12
J	 D4	01
K		01
L	 M4 \times 25	01

	SPARE HARDWARE	Q'TY
A	 $\varnothing 8 \times 30$	02
B	 D15	02
C	 D15	02
D	 M3.5 \times 15	02

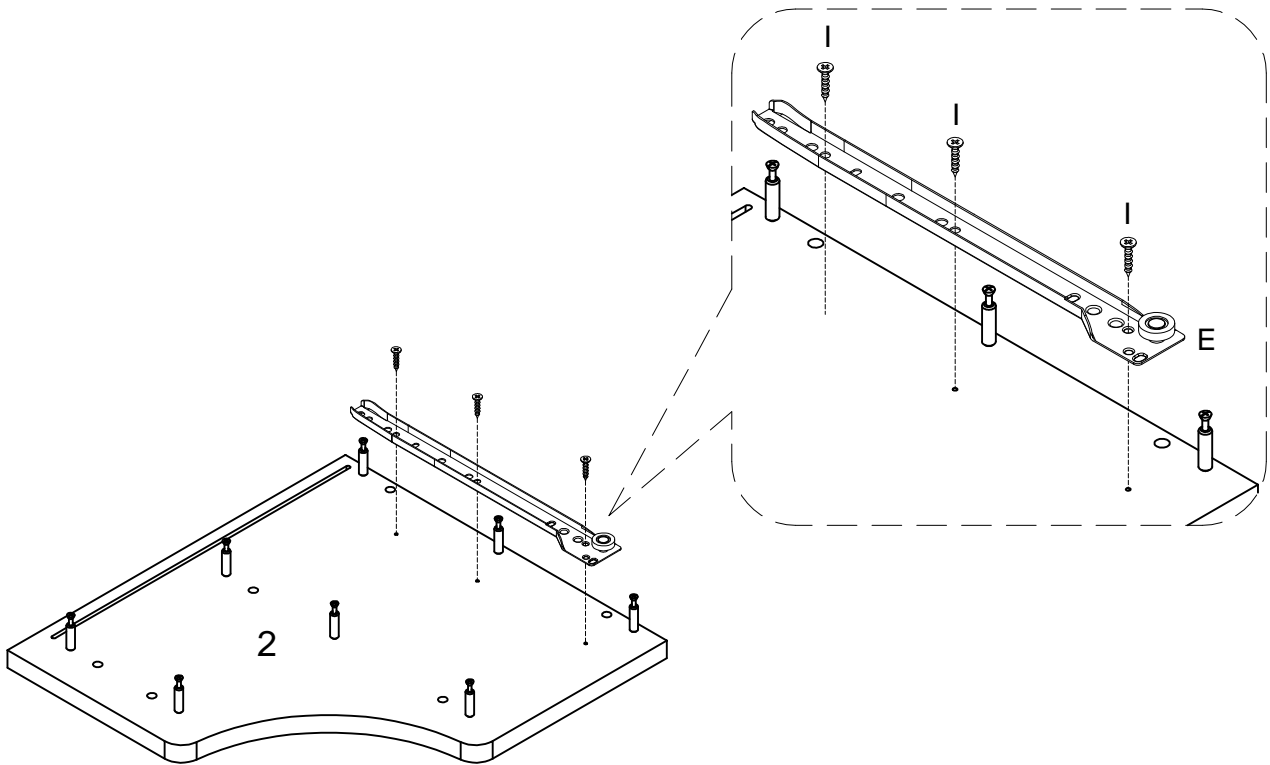
Step By Step Assembly Instructions

Step 1 :

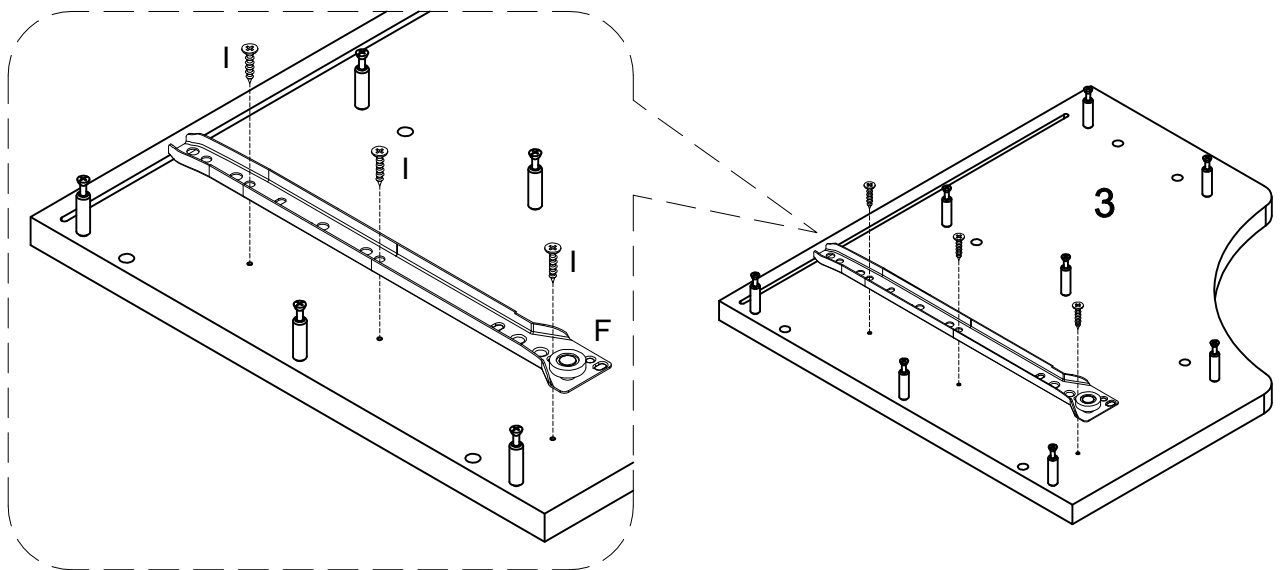


Step By Step Assembly Instructions

Step 2 :

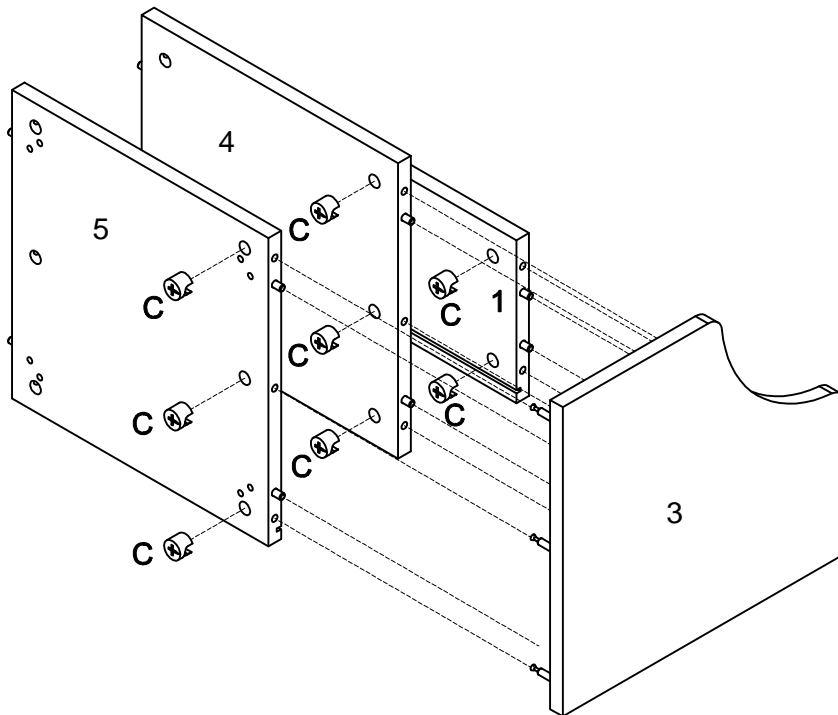


Step 3 :

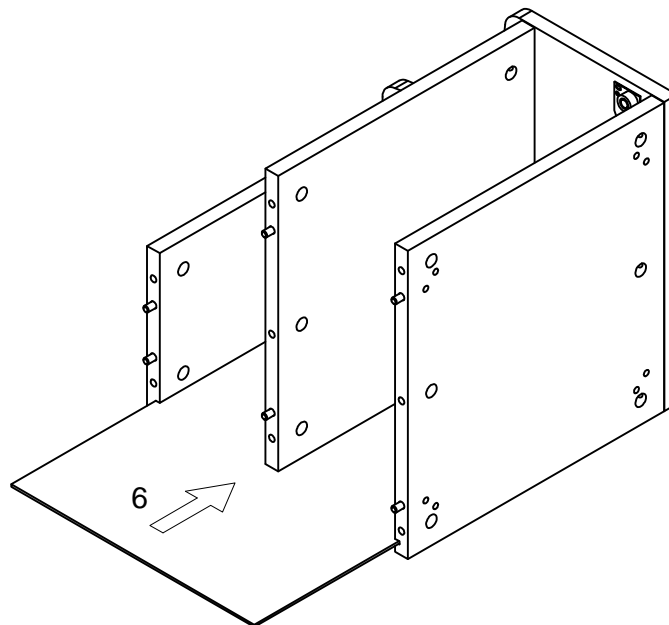


Step By Step Assembly Instructions

Step 4 :

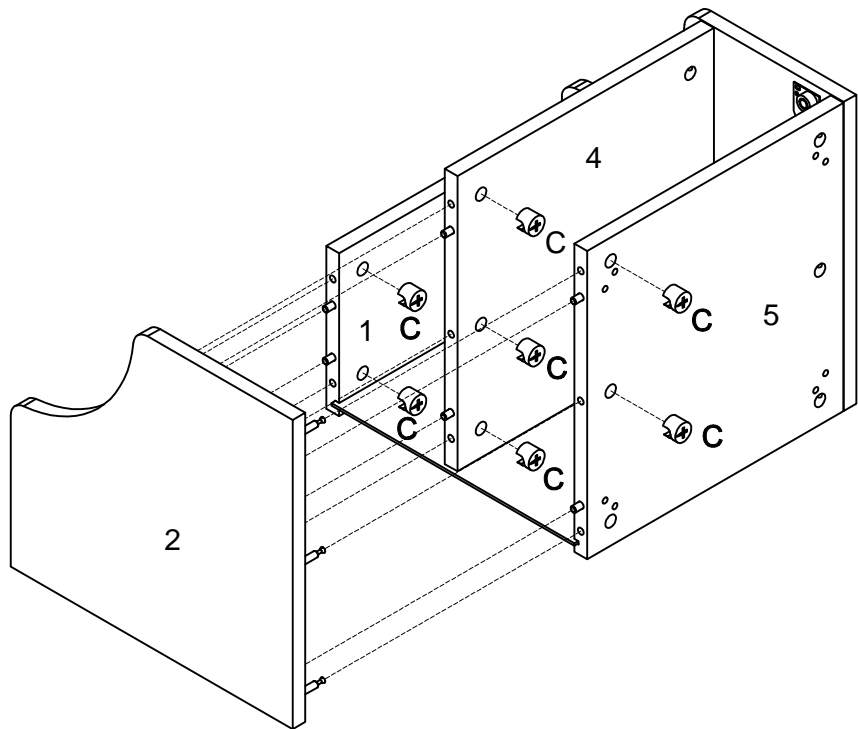


Step 5 :

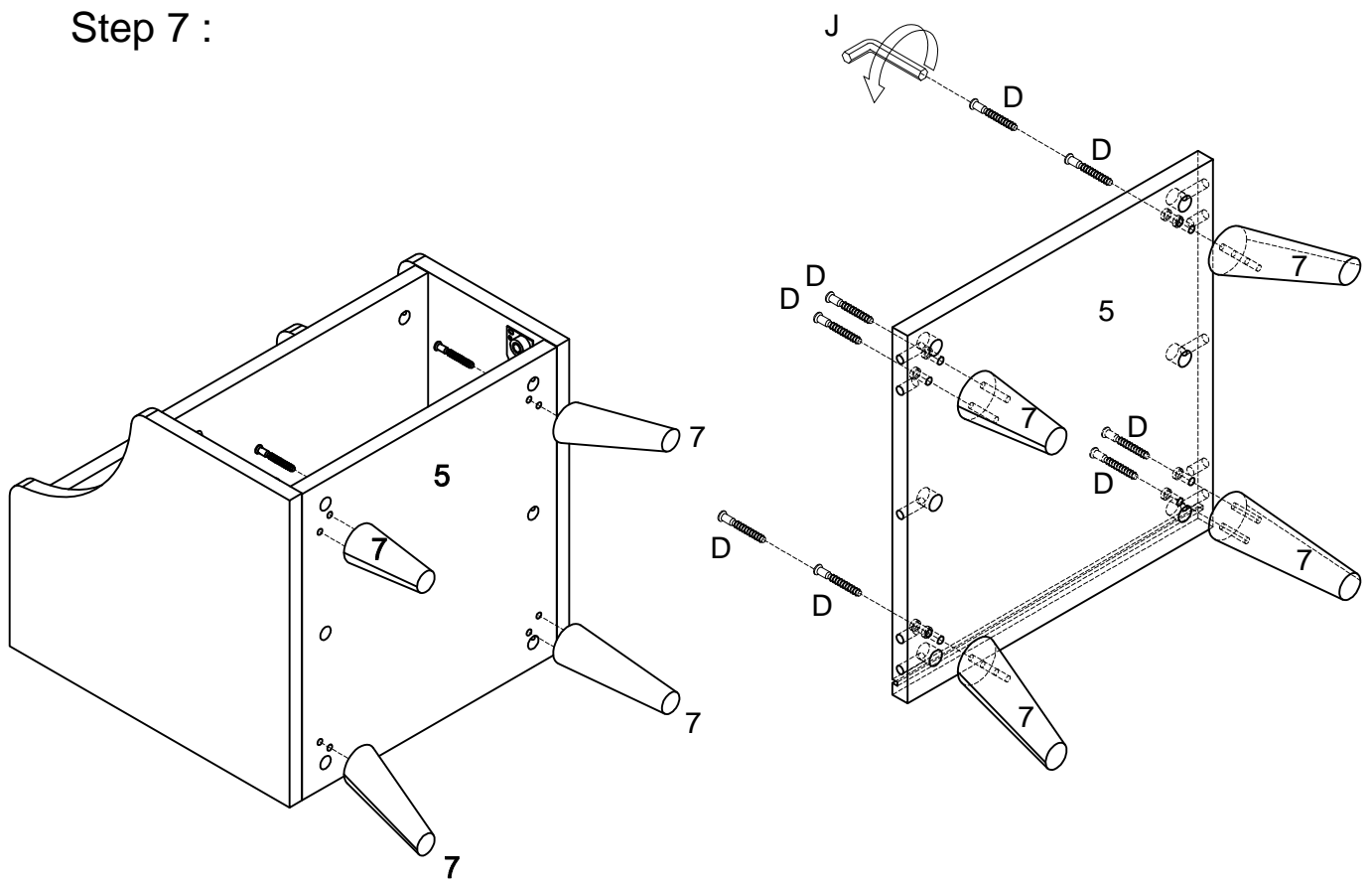


Step By Step Assembly Instructions

Step 6 :

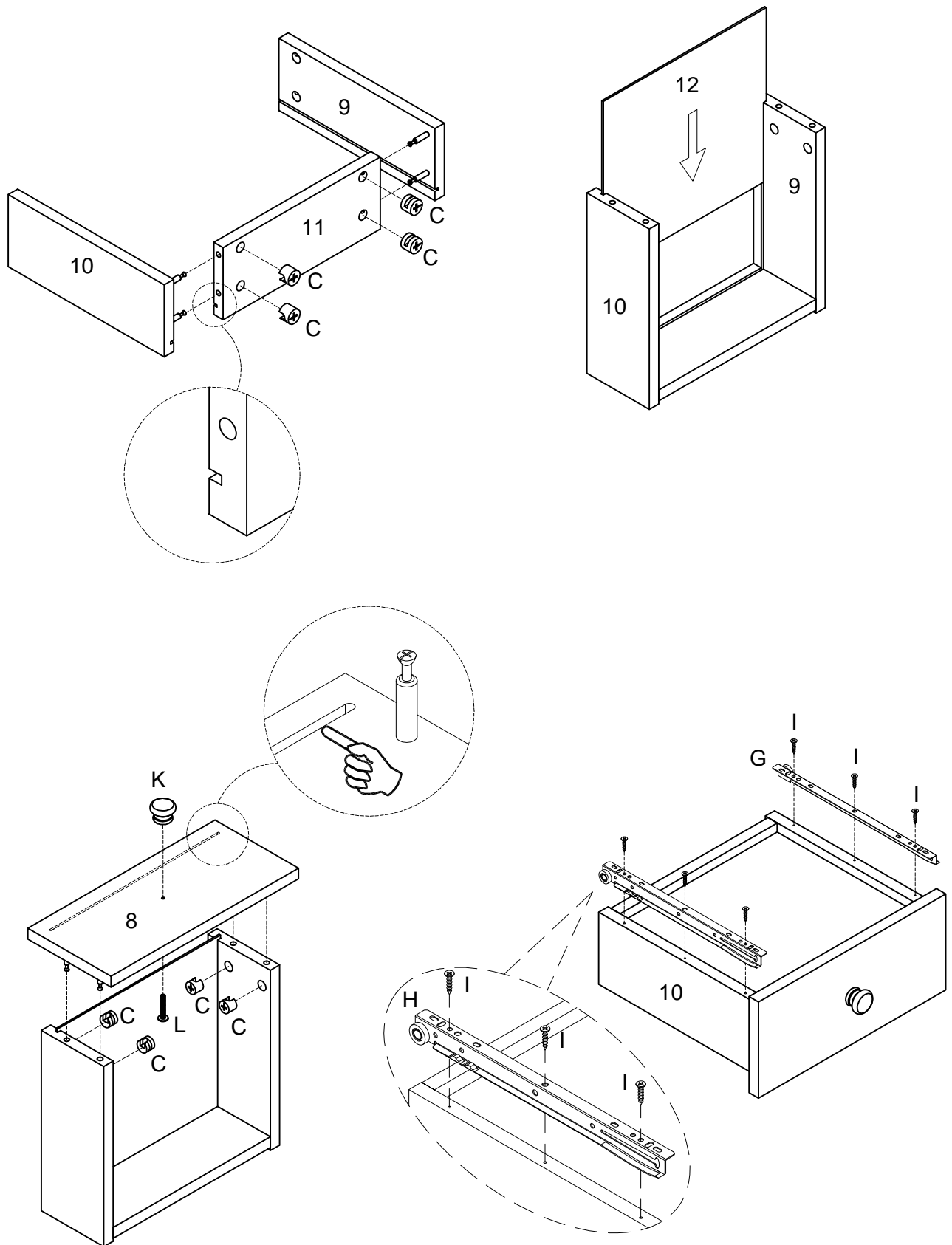


Step 7 :



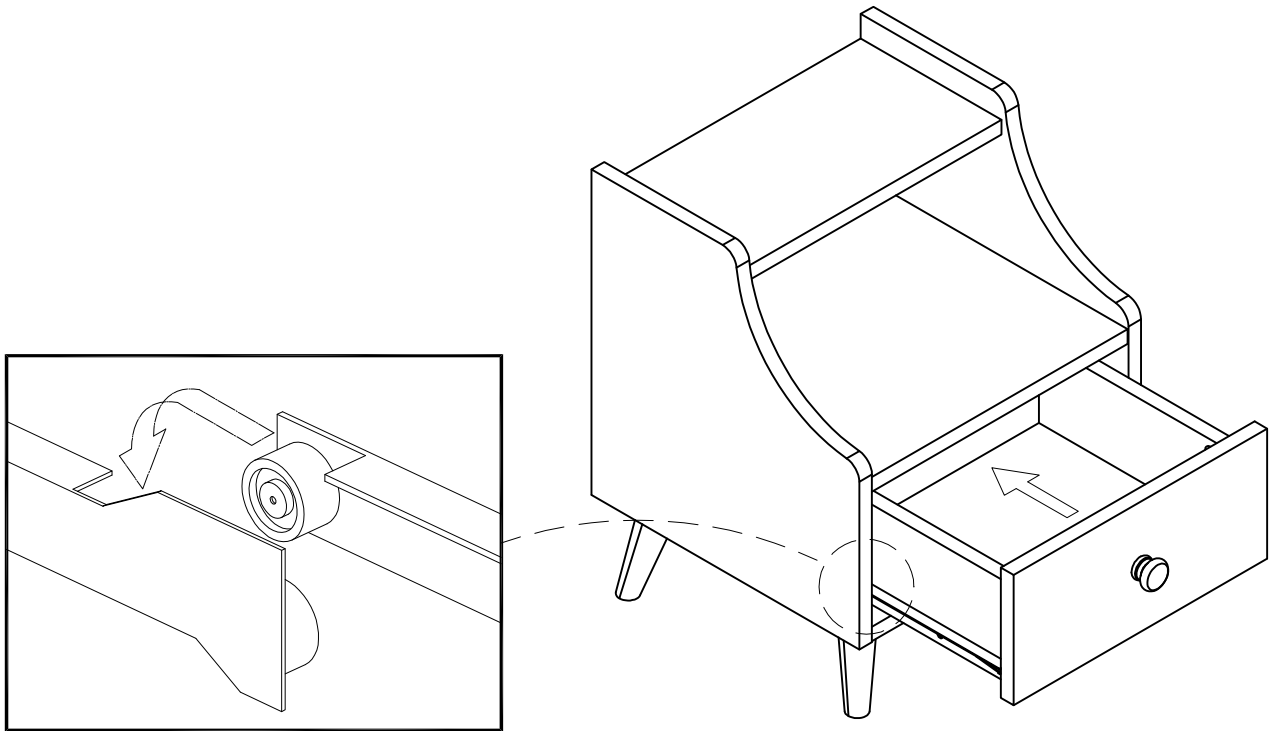
Step By Step Assembly Instructions

Step 8 :



Step By Step Assembly Instructions

Step 9 :



Step 10 :

